



US00D374092S

United States Patent [19]

Hart

[11] Patent Number: **Des. 374,092**

[45] Date of Patent: ****Sep. 24, 1996**

[54] **WINDOW HEADER**

[75] Inventor: **Keith Hart**, Newmarket, Canada

[73] Assignee: **Majestic Plastics Ltd.**, Weston, Canada

[**] Term: **14 Years**

[21] Appl. No.: **45,577**

[22] Filed: **Oct. 24, 1995**

[52] U.S. Cl. **D25/124**

[58] Field of Search D25/48, 52, 122-125;
49/504, 505, DIG. 5; 52/204.5, 730.3, 730.4,
730.5

[56] **References Cited**

U.S. PATENT DOCUMENTS

- D. 285,611 9/1986 Slocomb, Jr. D25/124
- D. 308,104 5/1990 Hardy D25/124
- D. 316,453 4/1991 Westphal et al. D25/122

- D. 327,331 6/1992 Dallaire et al. D25/124
- D. 338,277 8/1993 Slocomb D25/124

Primary Examiner—Doris Clark

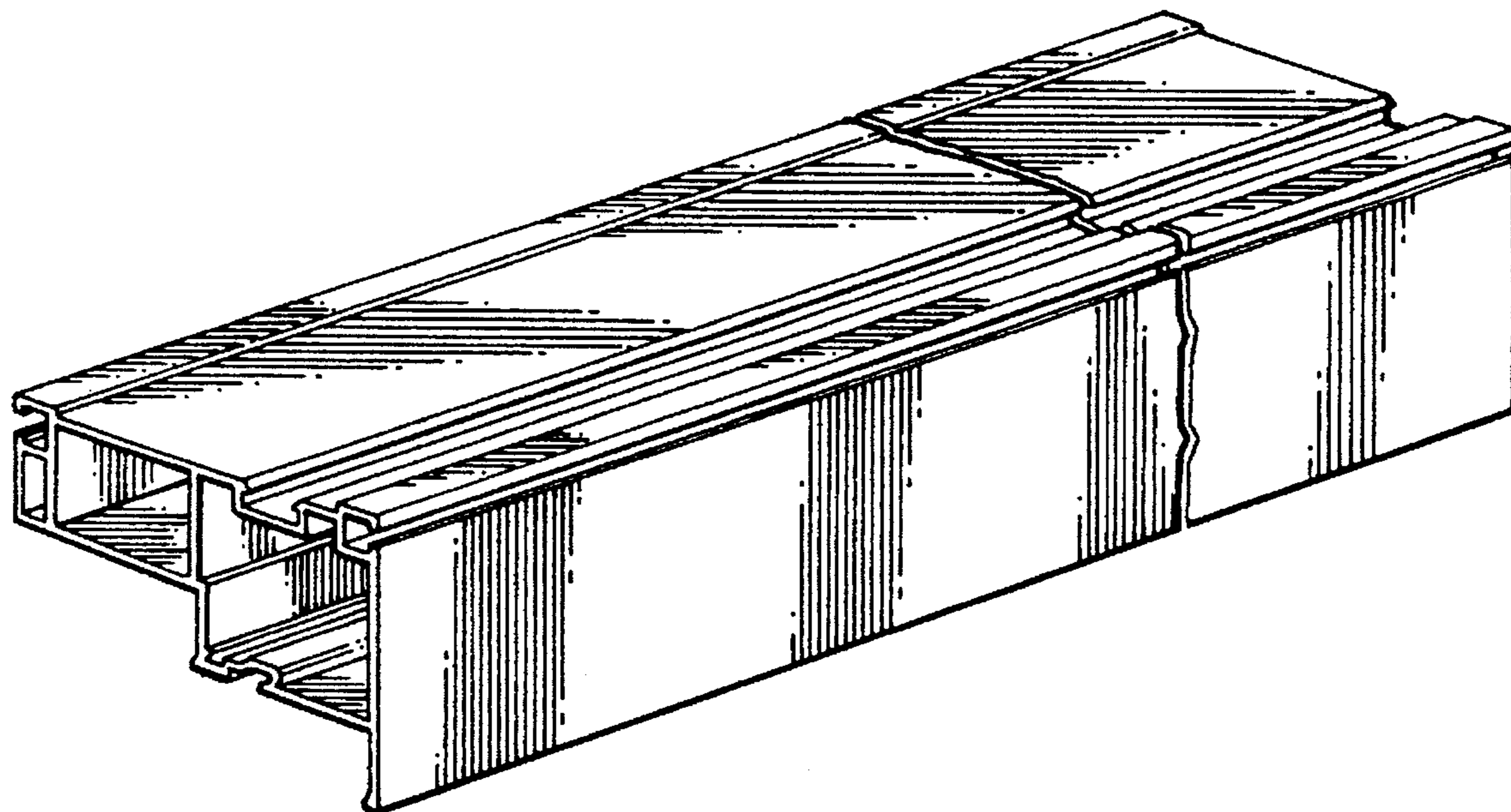
[57] **CLAIM**

The ornamental design for a window header, as shown and described.

DESCRIPTION

FIG. 1 is a perspective view looking down on the window header;
 FIG. 2 is an end view of the window header;
 FIG. 3 is a top view of the window header;
 FIG. 4 is a rear view of the window header;
 FIG. 5 is a front view of the window header; and,
 FIG. 6 is a bottom view of the window header.
 The window header is broken in the center to indicate indeterminate length.

1 Claim, 1 Drawing Sheet



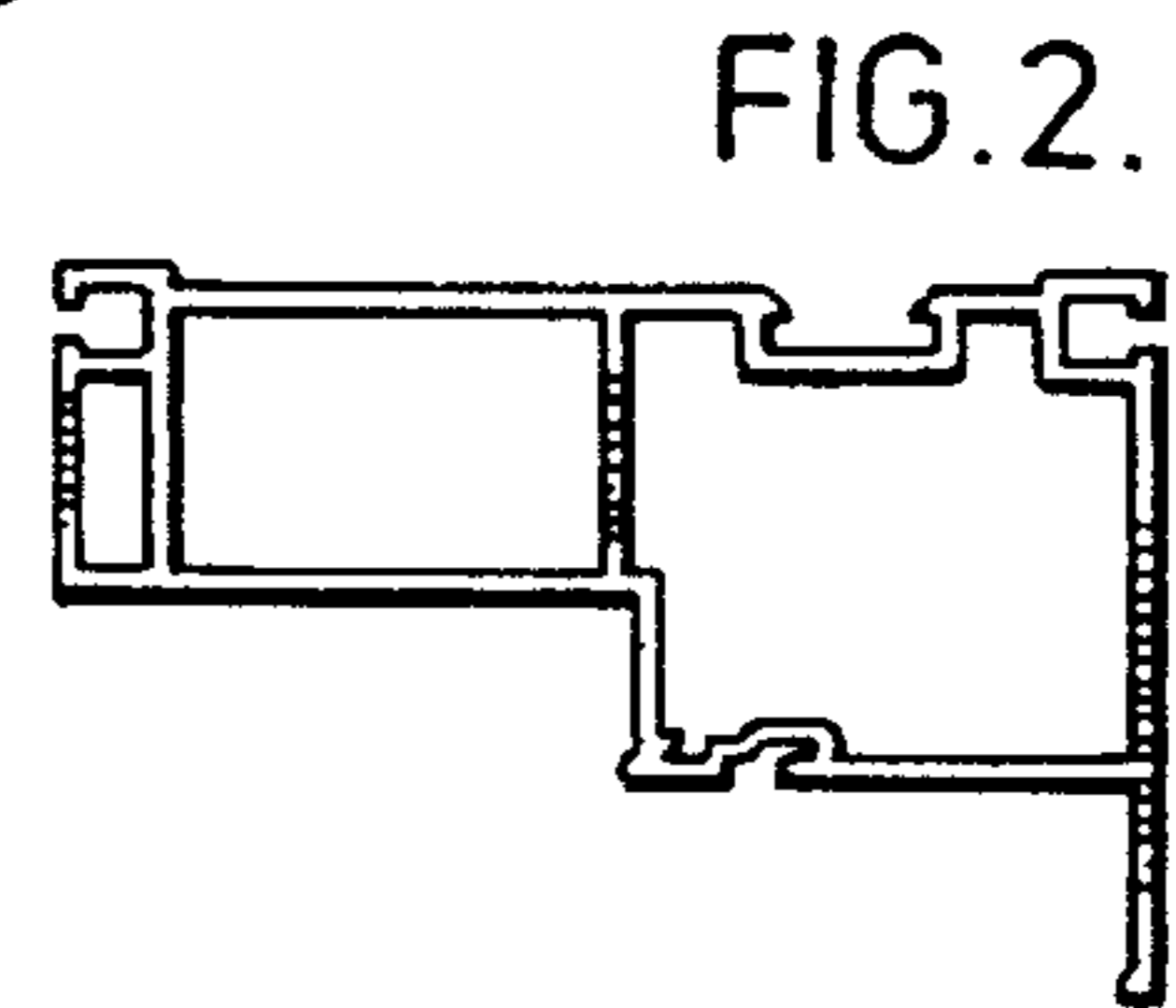
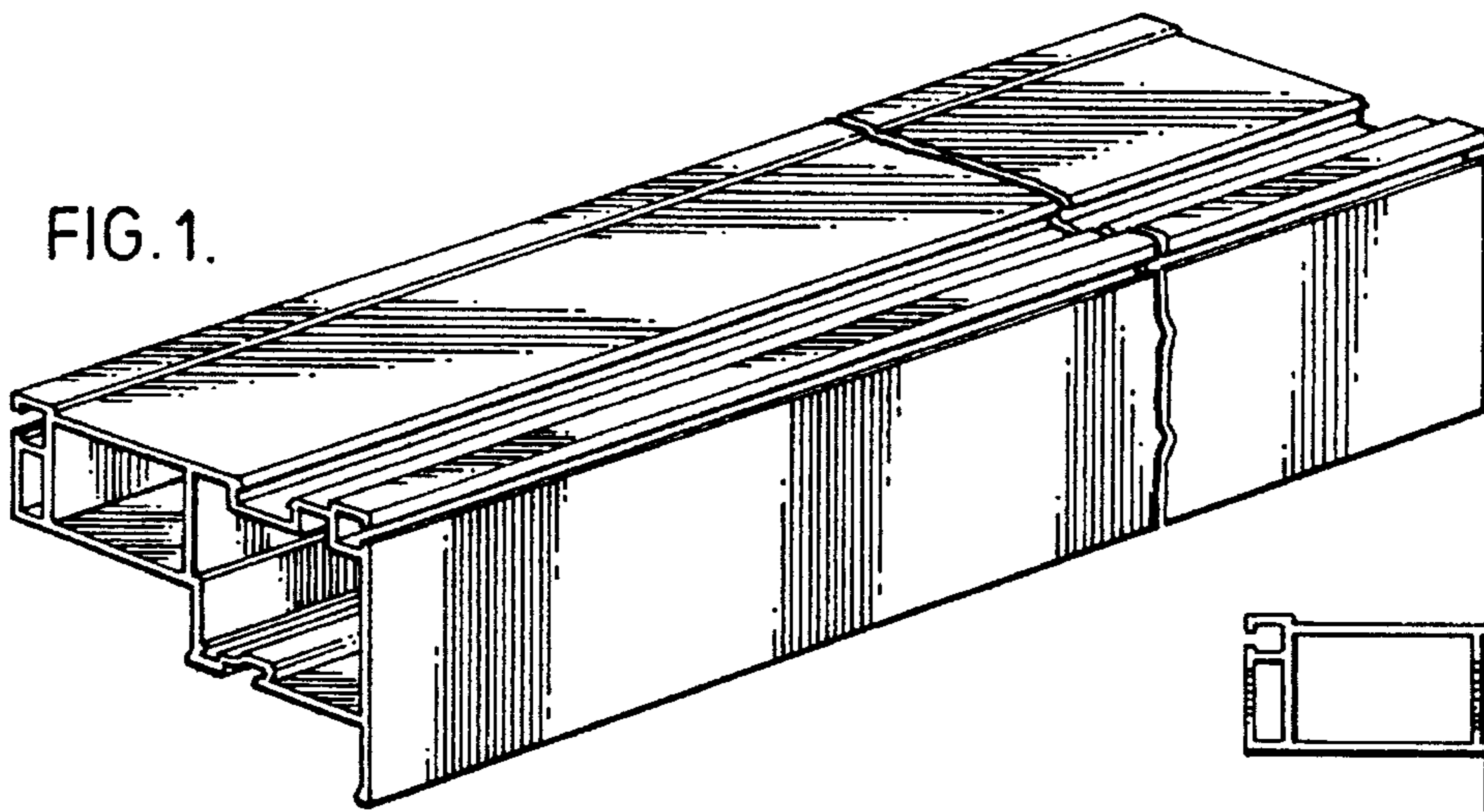


FIG. 3.

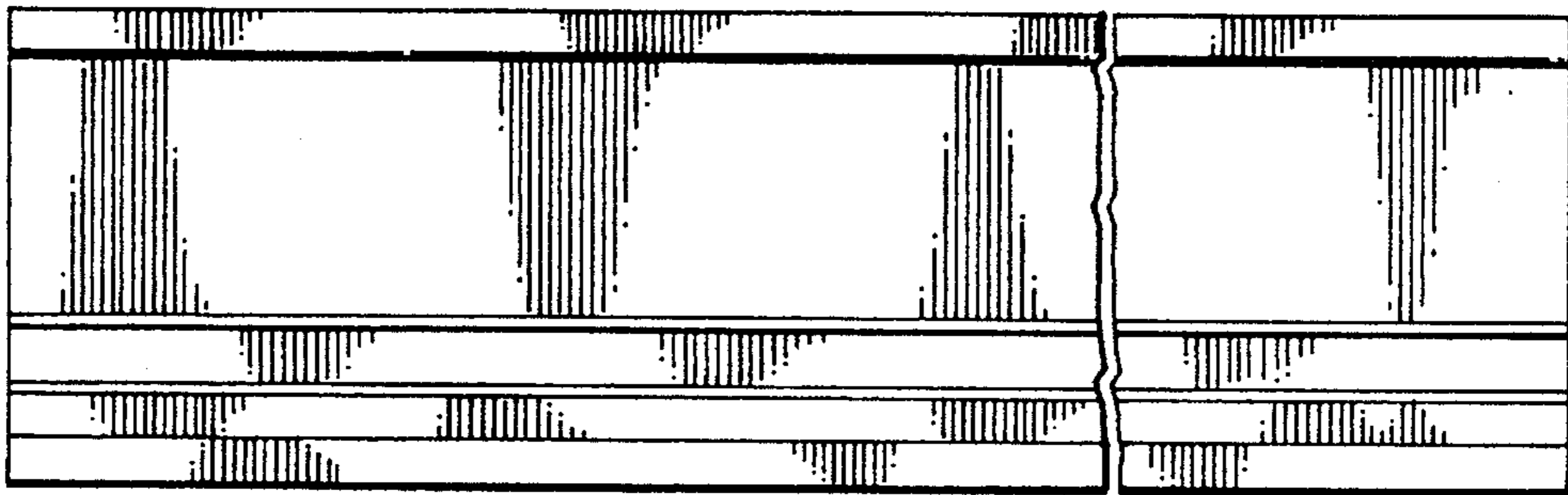


FIG. 4.

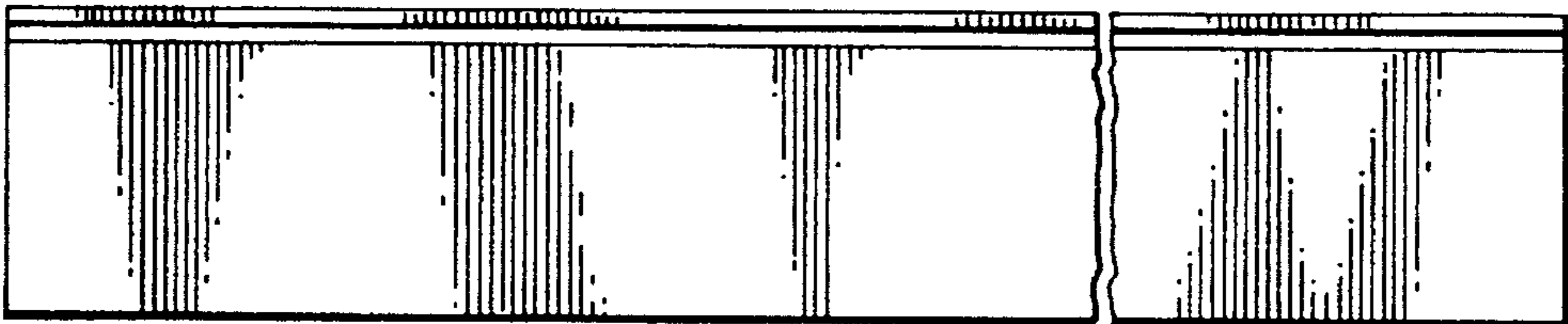


FIG. 5.

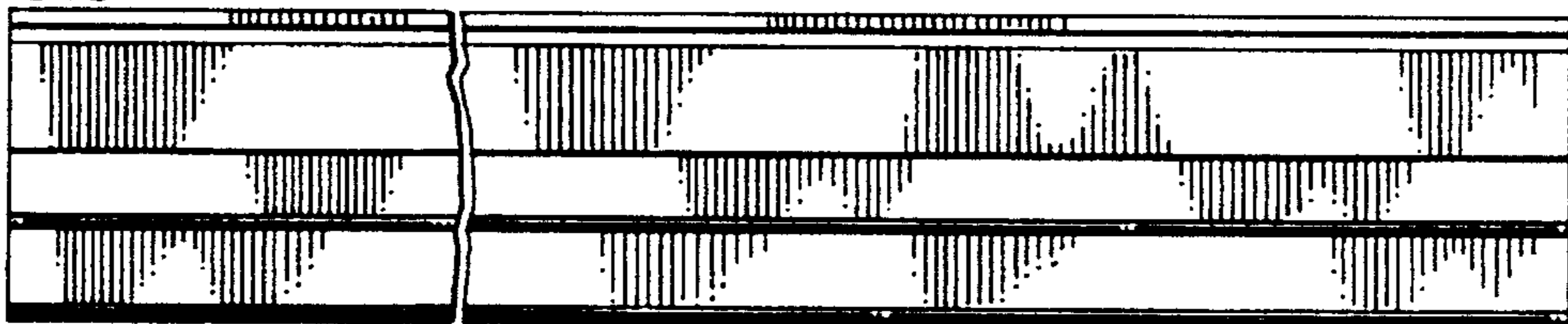


FIG. 6.

