



US00D374091S

# United States Patent [19] Hart

[11] Patent Number: **Des. 374,091**

[45] Date of Patent: **\*\*Sep. 24, 1996**

[54] WINDOW SILL

D. 299,970 2/1989 Hardy ..... D25/124

[75] Inventor: **Keith Hart**, Newmarket, Canada

*Primary Examiner*—Doris Clark

[73] Assignee: **Majestic Plastics Ltd.**, Weston, Canada

[57] **CLAIM**

[\*\*] Term: **14 Years**

The ornamental design for a window sill, as shown and described.

[21] Appl. No.: **45,573**

**DESCRIPTION**

[22] Filed: **Oct. 24, 1995**

[52] U.S. Cl. .... **D25/124**

[58] Field of Search ..... D25/48, 52, 122-125;  
49/504, 505, DIG. 2; 52/204.5, 730.3, 730.4,  
730.5

FIG. 1 is a perspective view looking down on the window sill;

FIG. 2 is an end view of the window sill;

FIG. 3 is a top view of the window sill;

FIG. 4 is a rear view of the window sill;

FIG. 5 is a front view of the window sill; and,

FIG. 6 is a bottom view of the window sill.

The window sill is broken in the center to indicate indeterminate length.

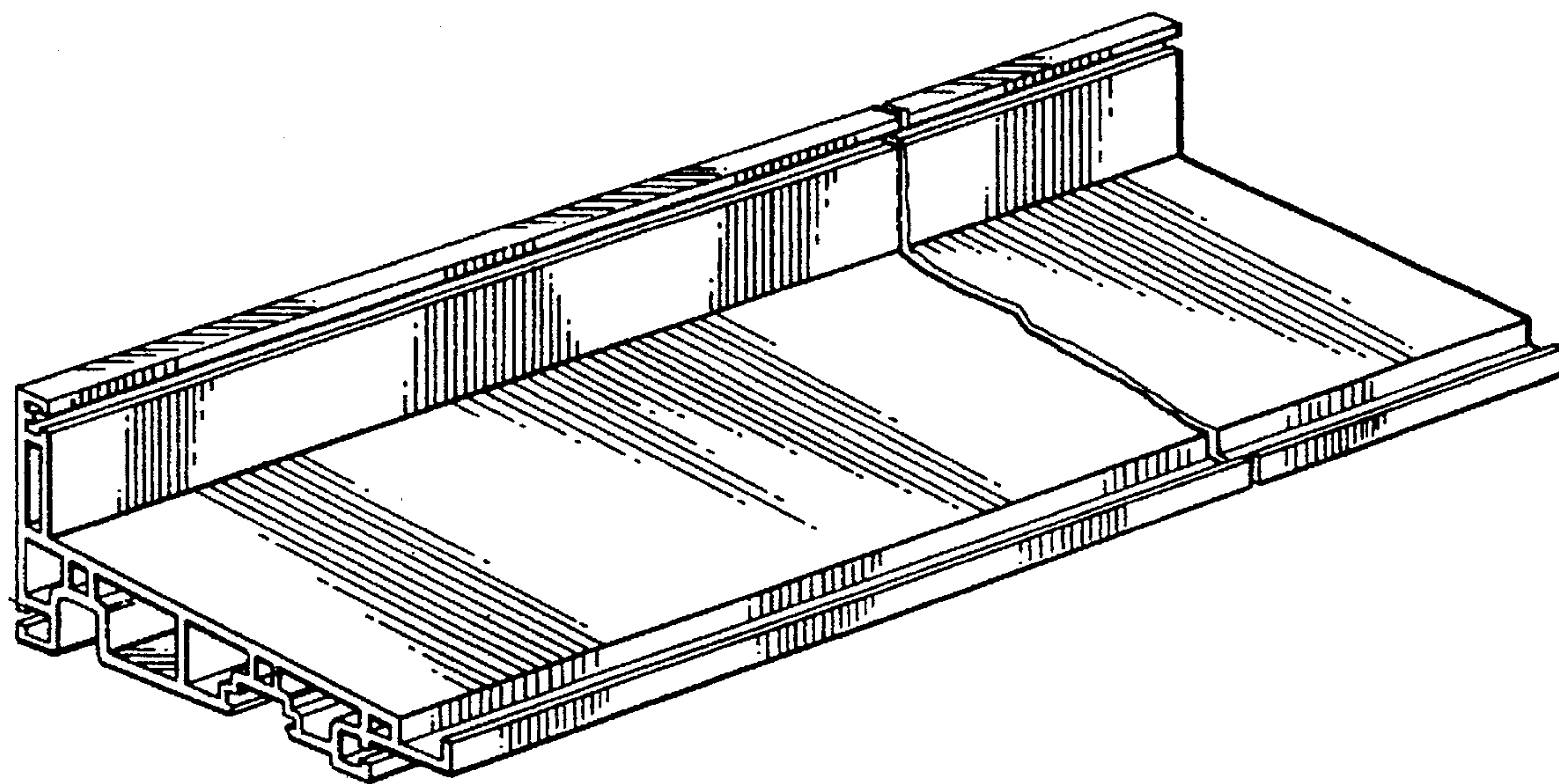
[56] **References Cited**

**U.S. PATENT DOCUMENTS**

D. 283,349 4/1986 Slocomb, Jr. .... D25/122

D. 285,610 9/1986 Slocomb, Jr. .... D25/124

**1 Claim, 1 Drawing Sheet**



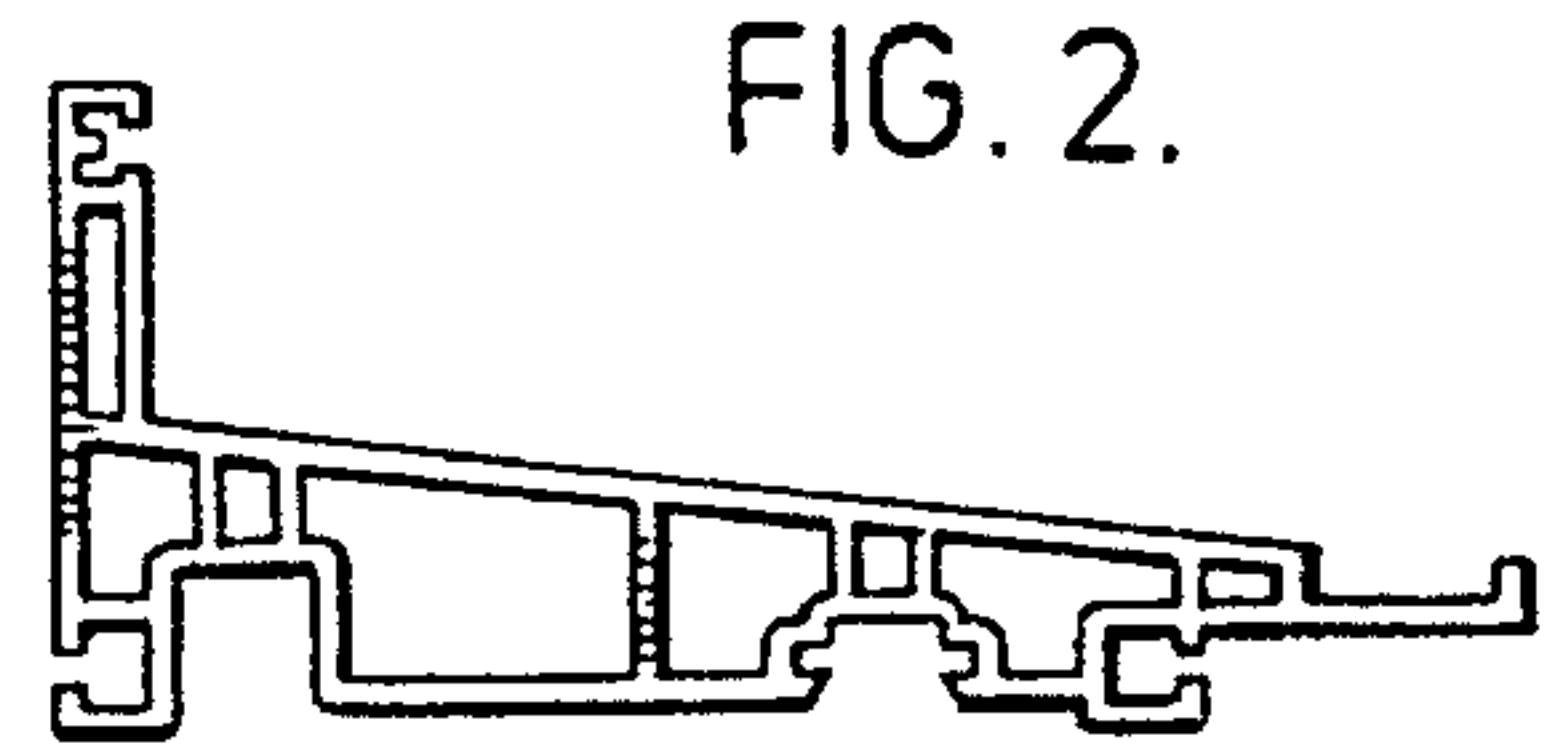
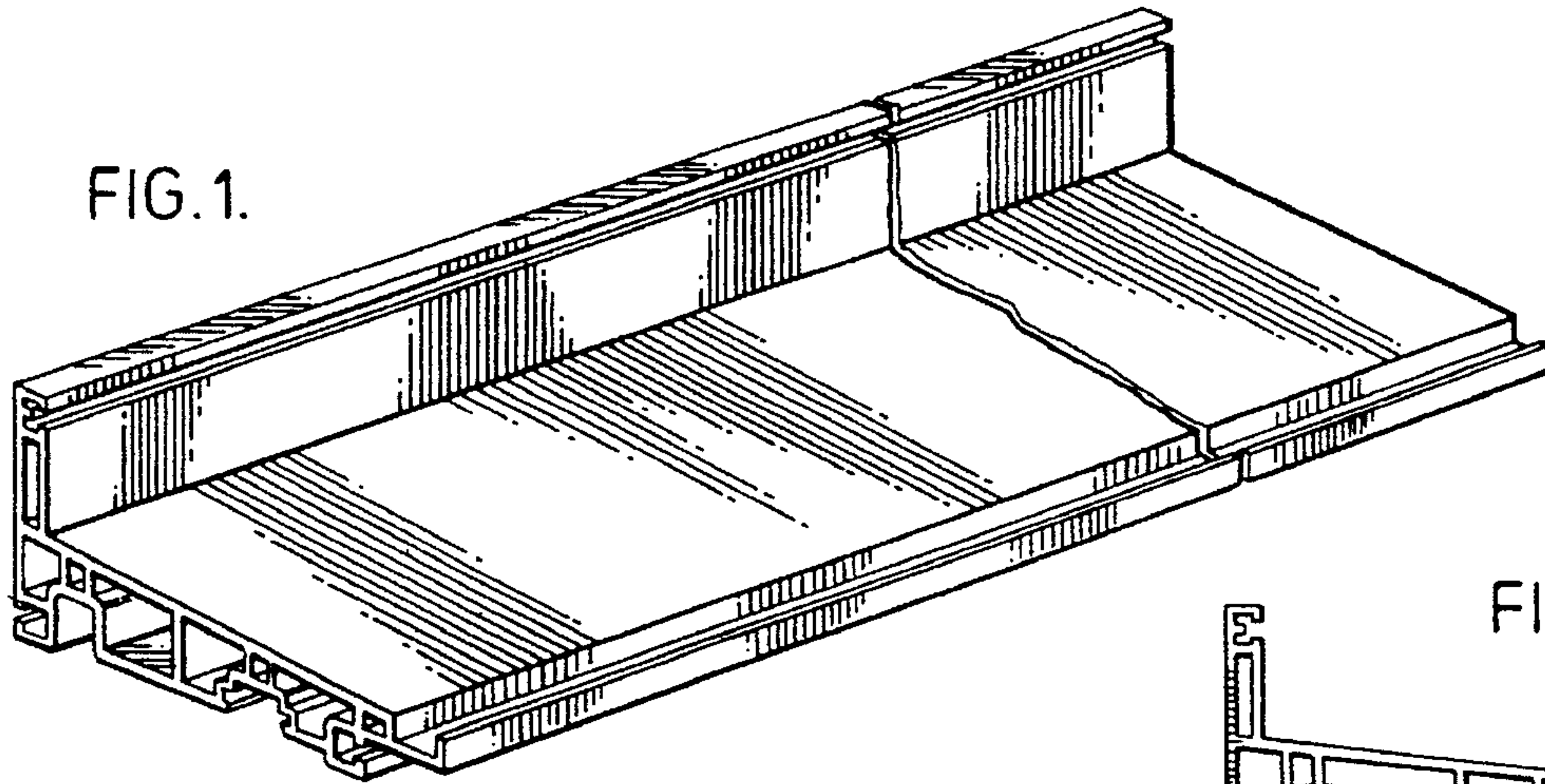


FIG. 3.

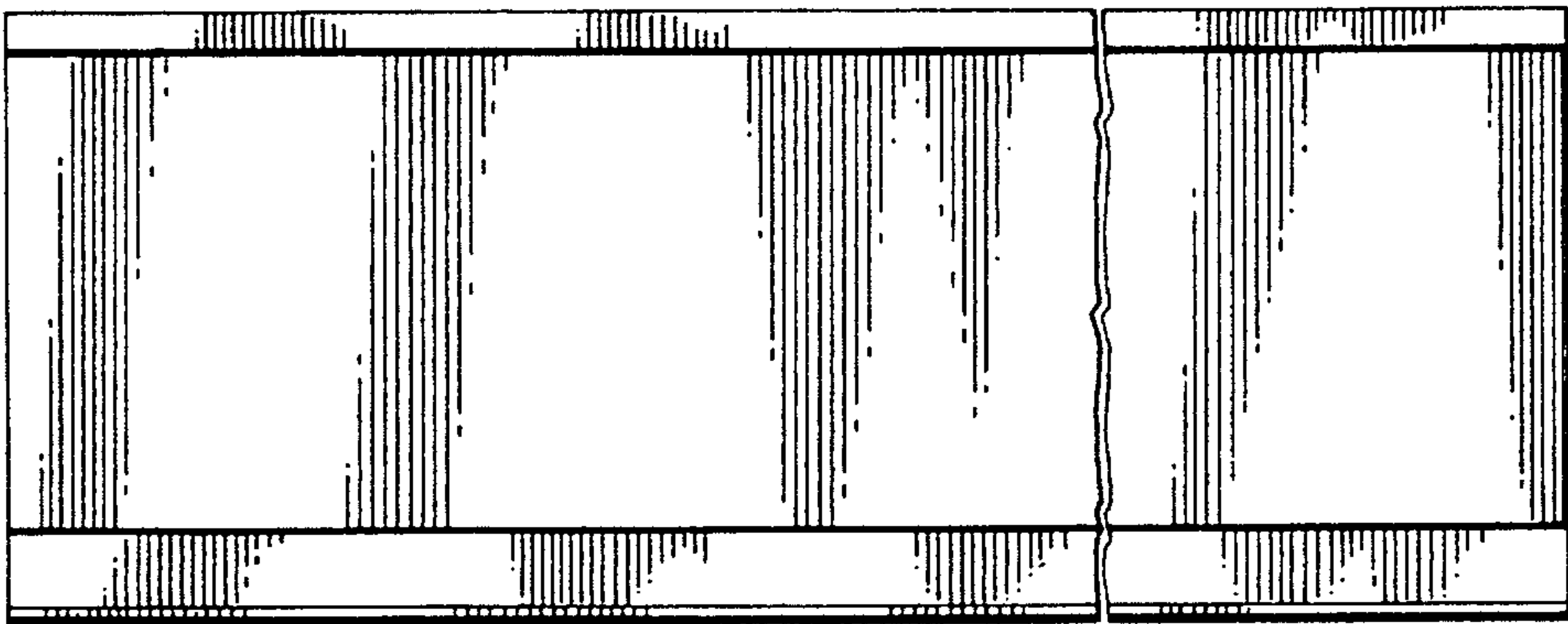


FIG. 4.

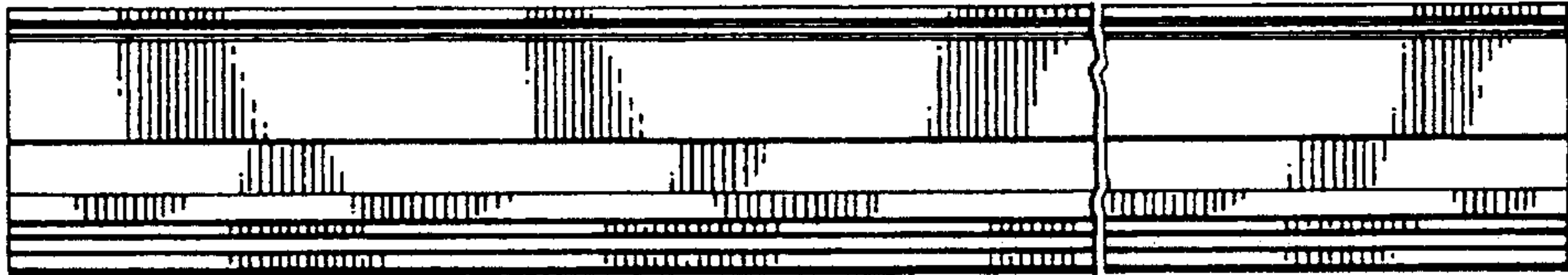


FIG. 5.

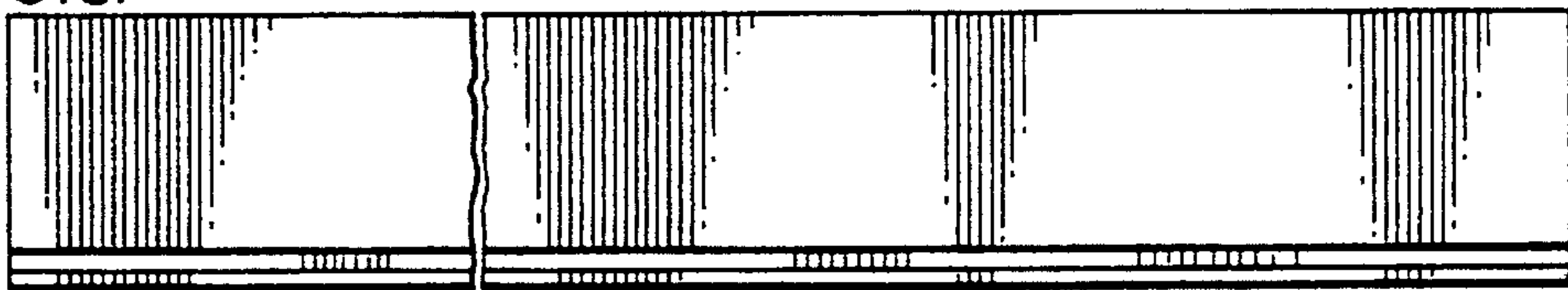


FIG. 6.

