



US00D374085S

United States Patent [19]
LaVoie

[11] **Patent Number:** **Des. 374,085**

[45] **Date of Patent:** ****Sep. 24, 1996**

[54] **DECORATIVE HOUSE LOUVER**

[76] Inventor: **John F. LaVoie**, P.O. Box 15,
Springfield, Vt. 05156-9143

[**] Term: **14 Years**

[21] Appl. No.: **33,633**

[22] Filed: **Jan. 17, 1995**

[52] **U.S. Cl.** **D25/47**

[58] **Field of Search** D25/47, 52, 154;
49/74.1, 92.1, 77.1; 52/473, 198, 200-202

[56] **References Cited**

U.S. PATENT DOCUMENTS

D. 211,862	8/1968	Stanfield, Jr.	D25/47
D. 334,068	3/1993	Poole	D25/60
2,828,711	4/1958	Smith et al.	52/473
4,785,596	11/1988	Wiley et al.	52/198
5,349,799	9/1994	Schiedegger et al.	52/473
5,365,707	11/1994	Jones et al.	52/473

Primary Examiner—Doris Clark
Attorney, Agent, or Firm—John J. Welch, Jr., Esq.

[57] **CLAIM**

The ornamental design for a decorative house louver, as shown and described.

DESCRIPTION

FIG. 1 is a frontal view of the decorative house louver, the broken lines showing the upper portion of a house is for illustrative purposes only and form no part of the claimed design;

FIG. 2 is a perspective view of the decorative house louver;

FIG. 3 is a frontal plan view of the decorative house louver;

FIG. 4 is a side elevational view of the decorative house louver;

FIG. 5 is a top plan view of the decorative house louver; and,

FIG. 6 is a rear elevational view of the decorative house louver.

1 Claim, 3 Drawing Sheets

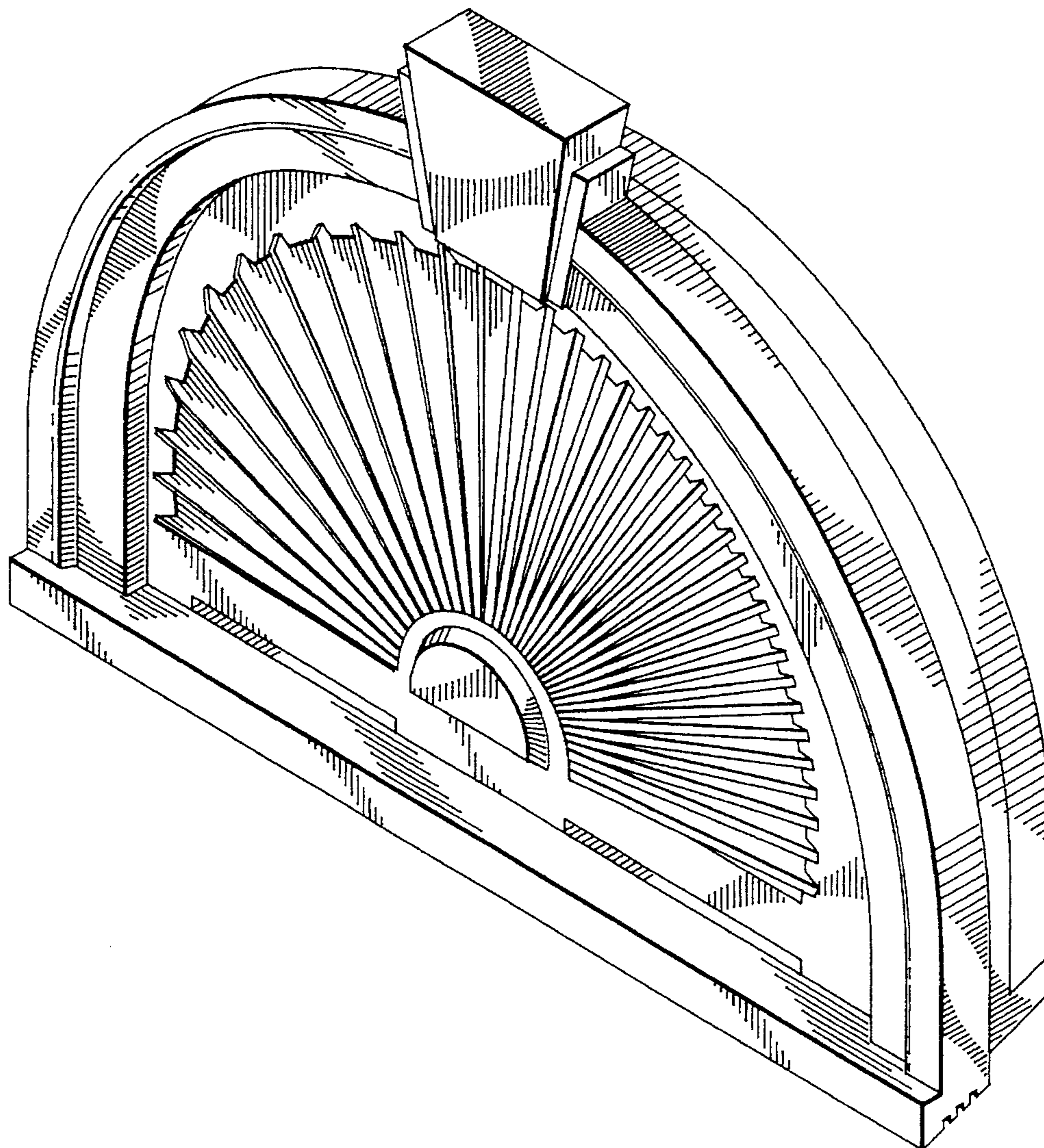


FIG. 1

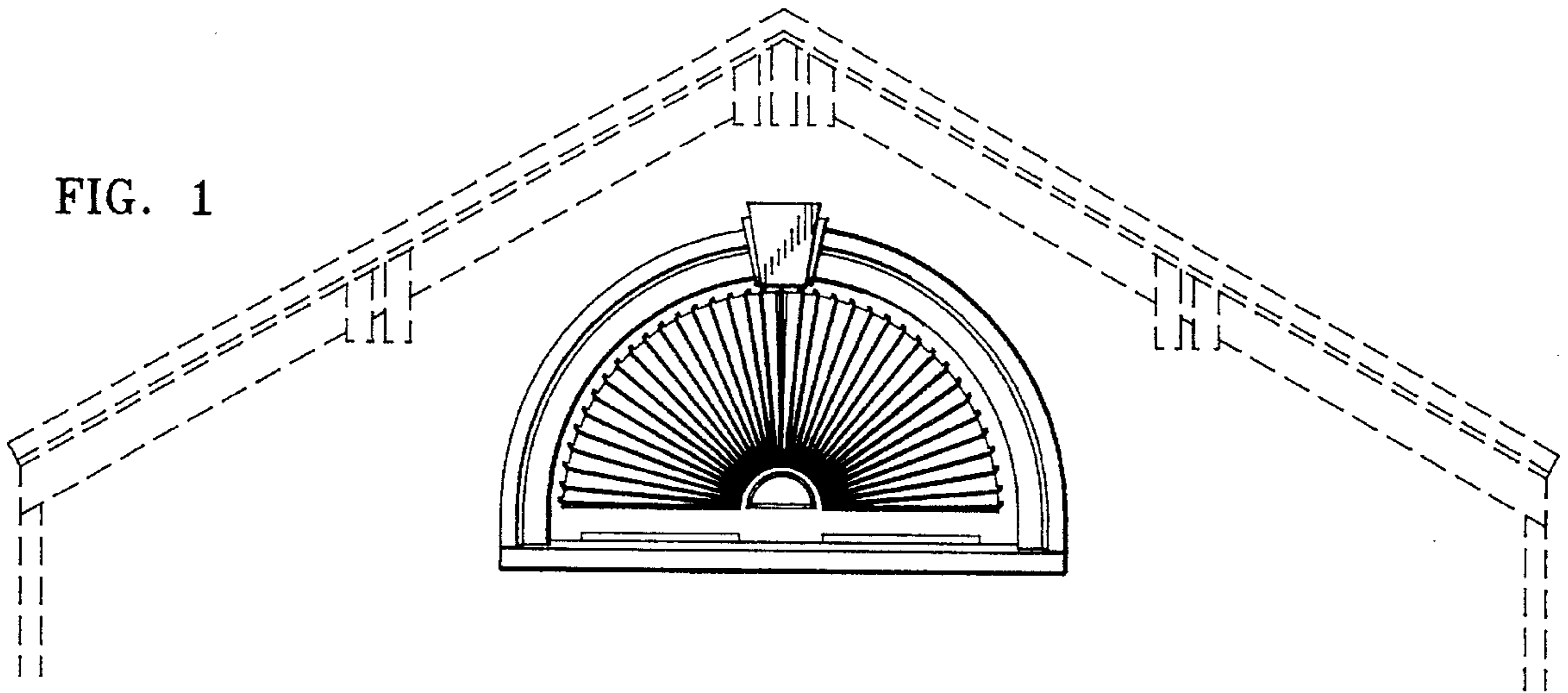
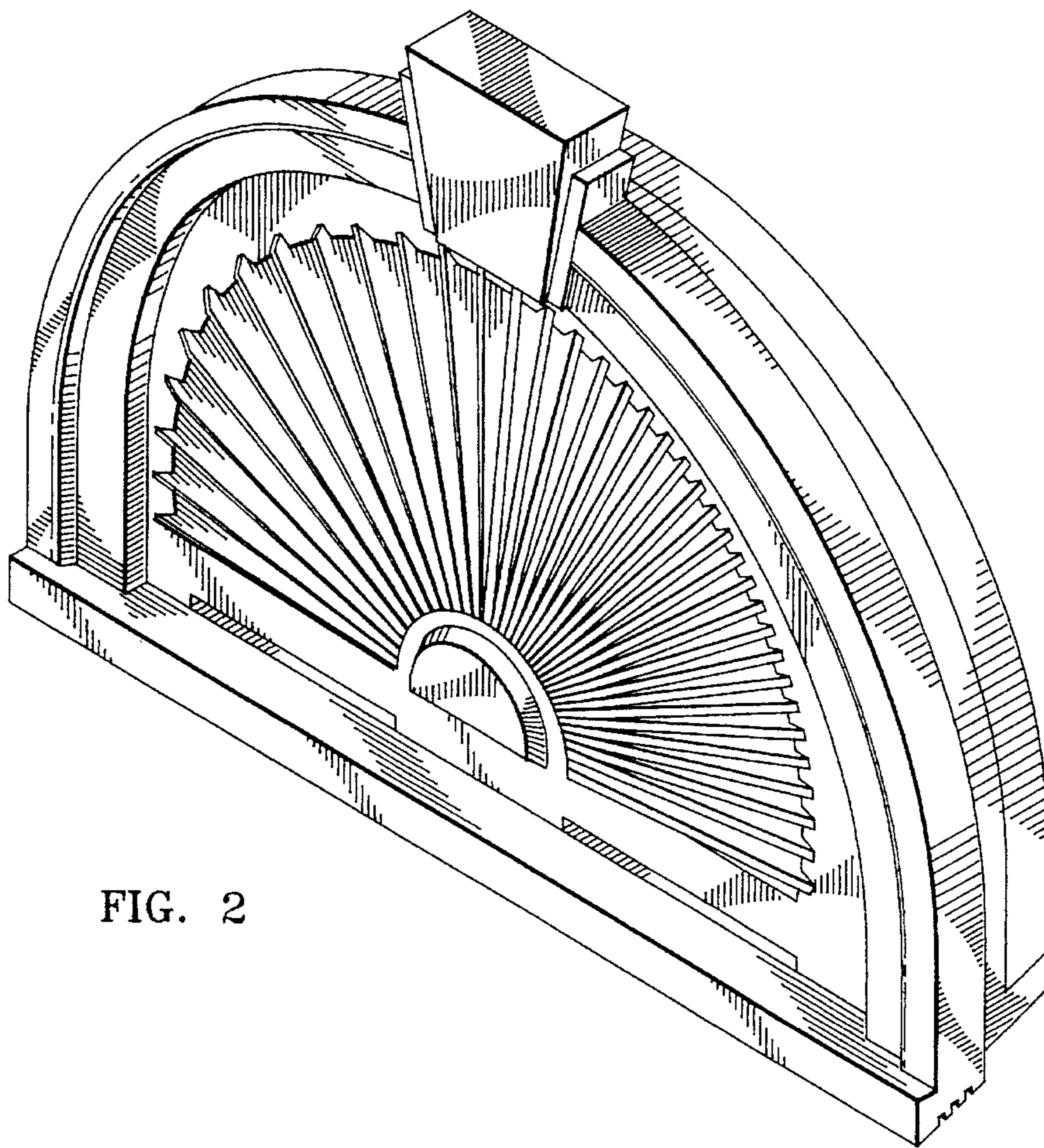


FIG. 2



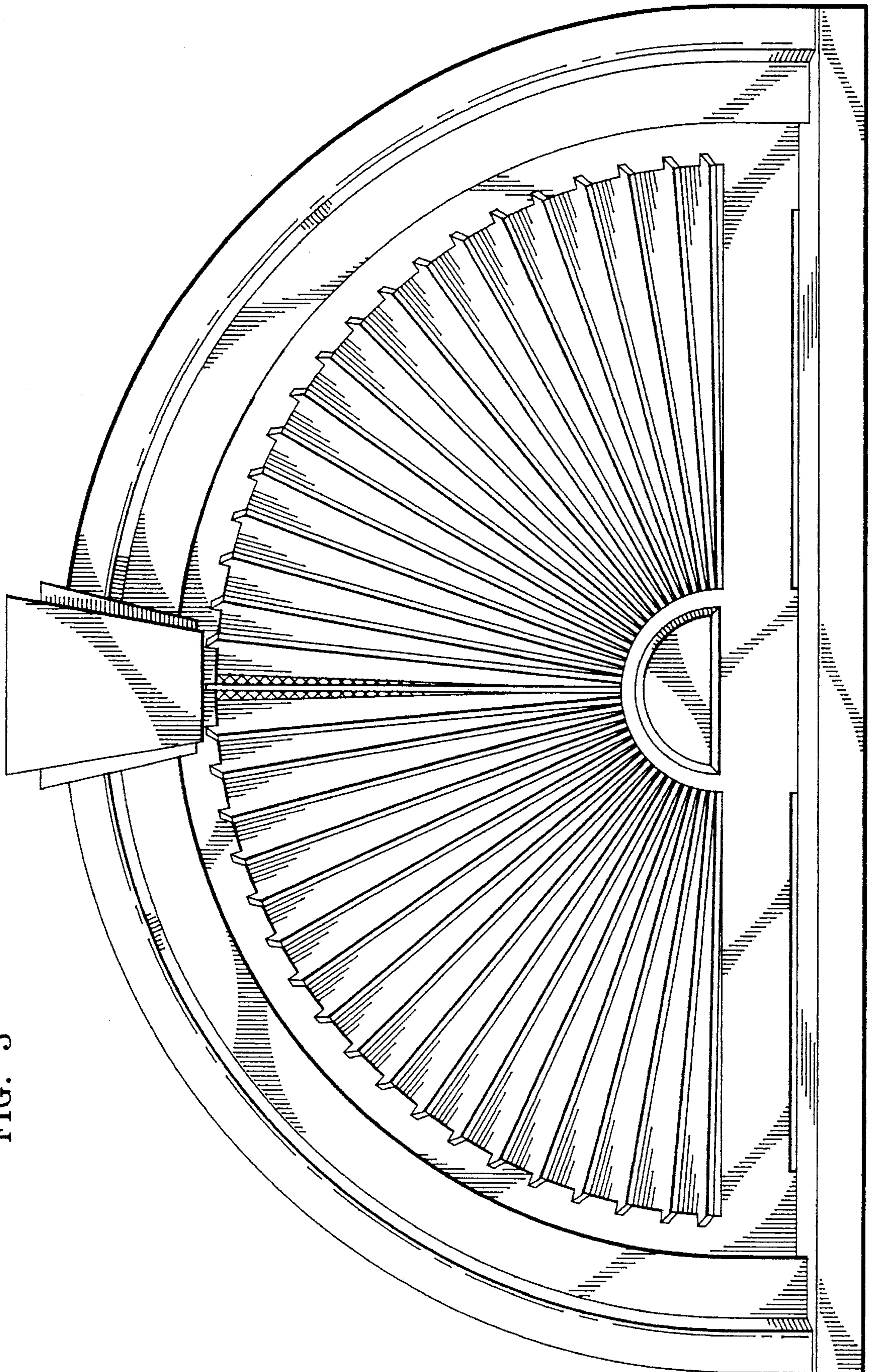


FIG. 3

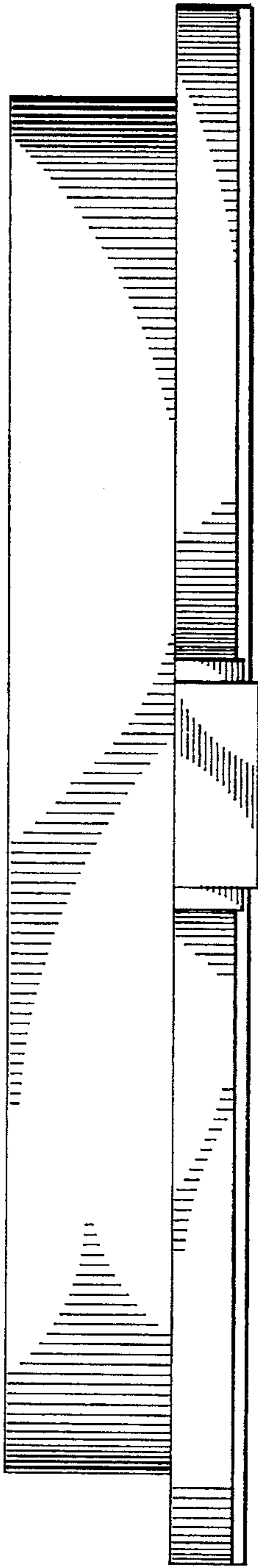


FIG. 5

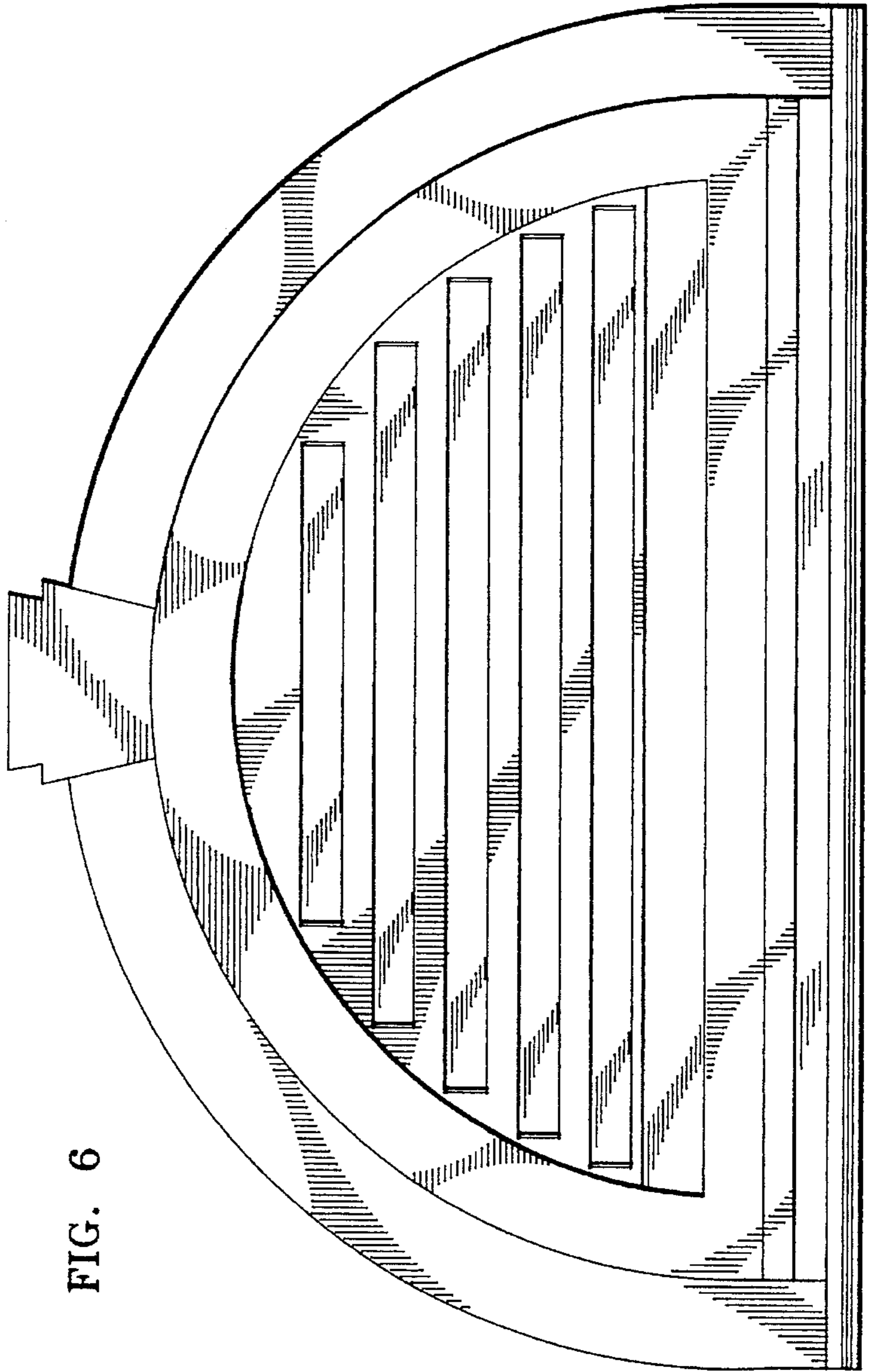


FIG. 6

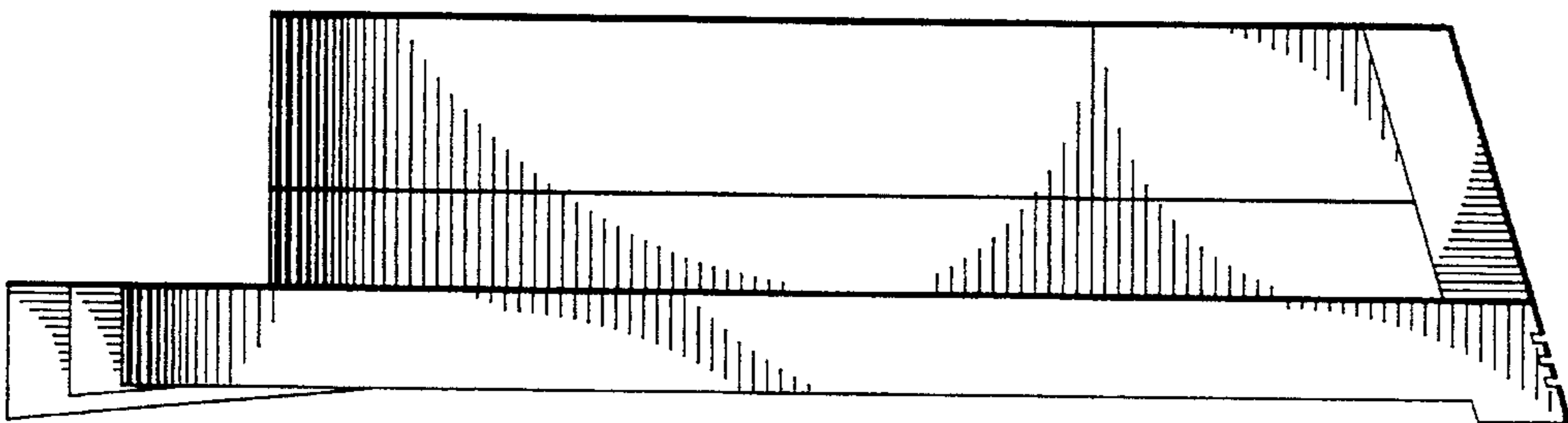


FIG. 4