



US00D374082S

United States Patent [19]

Vitko

[11] Patent Number: **Des. 374,082**

[45] Date of Patent: ****Sep. 24, 1996**

[54] **PORTABLE BACK MASSAGER**

[76] Inventor: **David M. Vitko**, 973 Fairfield Ave.,
Columbiana, Ohio 44408

[**] Term: **14 Years**

[21] Appl. No.: **31,102**

[22] Filed: **Nov. 17, 1994**

[52] U.S. Cl. **D24/211**

[58] Field of Search D24/211, 212;
601/128, 131, 118

D. 348,519	7/1994	Cagle .	
681,331	8/1901	Milkman	601/128
2,619,957	12/1952	Hague	128/57
2,683,454	7/1954	Brandenfels	128/58
5,352,188	10/1994	Vitko	601/128

Primary Examiner—Stella Reid

[57] CLAIM

The ornamental design for a portable back massager, as shown and described.

DESCRIPTION

FIG. 1 represents top and bottom plan views as they are identical;

FIG. 2 represents both right and left side elevational views as they are identical; and,

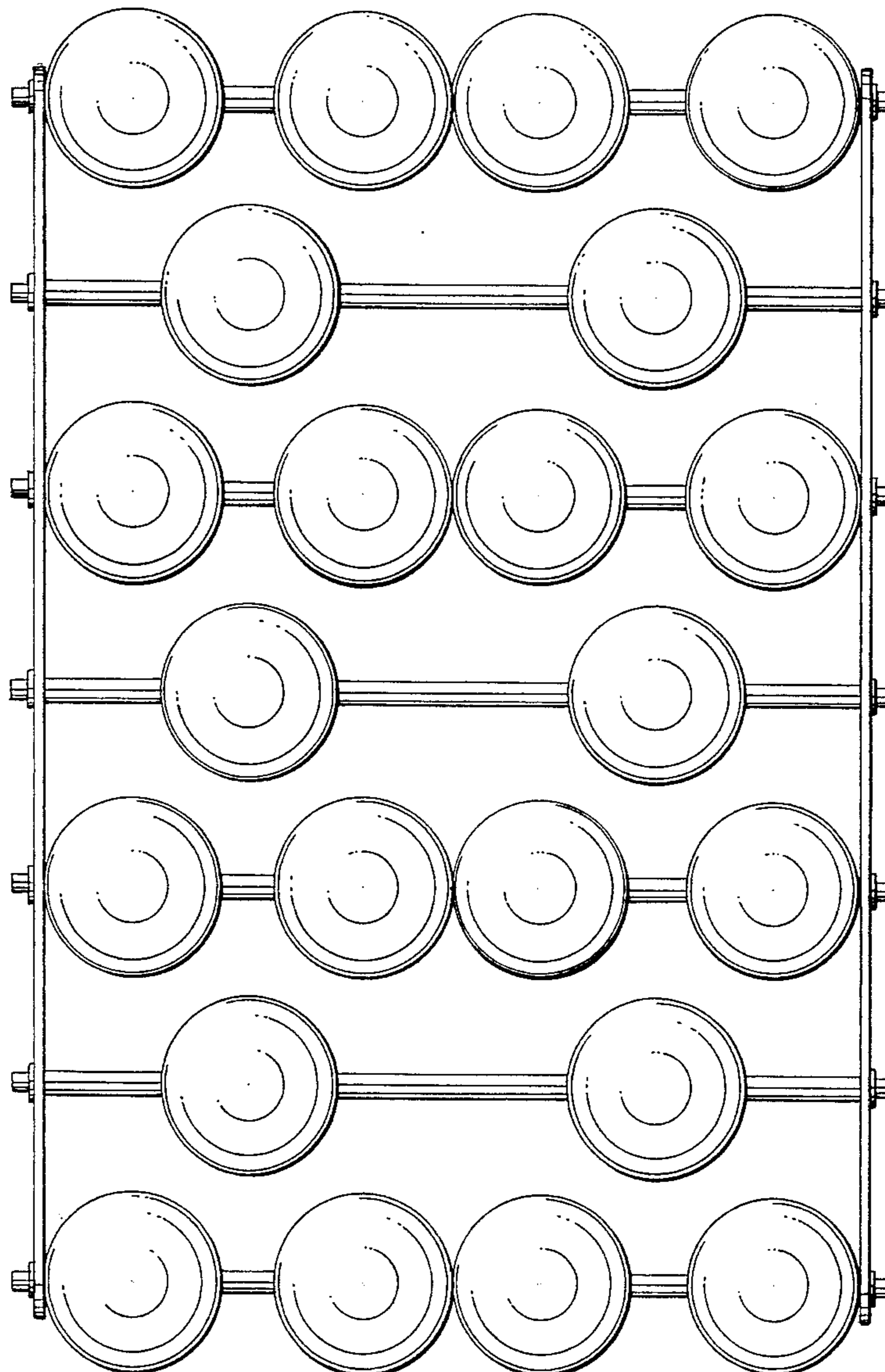
FIG. 3 represents front and rear elevational views as they are identical.

[56] References Cited

U.S. PATENT DOCUMENTS

D. 204,046	3/1966	Ziglin	D24/211
D. 226,875	5/1973	Haworth	D24/211
D. 254,507	3/1980	Redding	D24/211
D. 263,623	3/1982	Conn .	
D. 277,030	1/1985	Conn .	

1 Claim, 2 Drawing Sheets



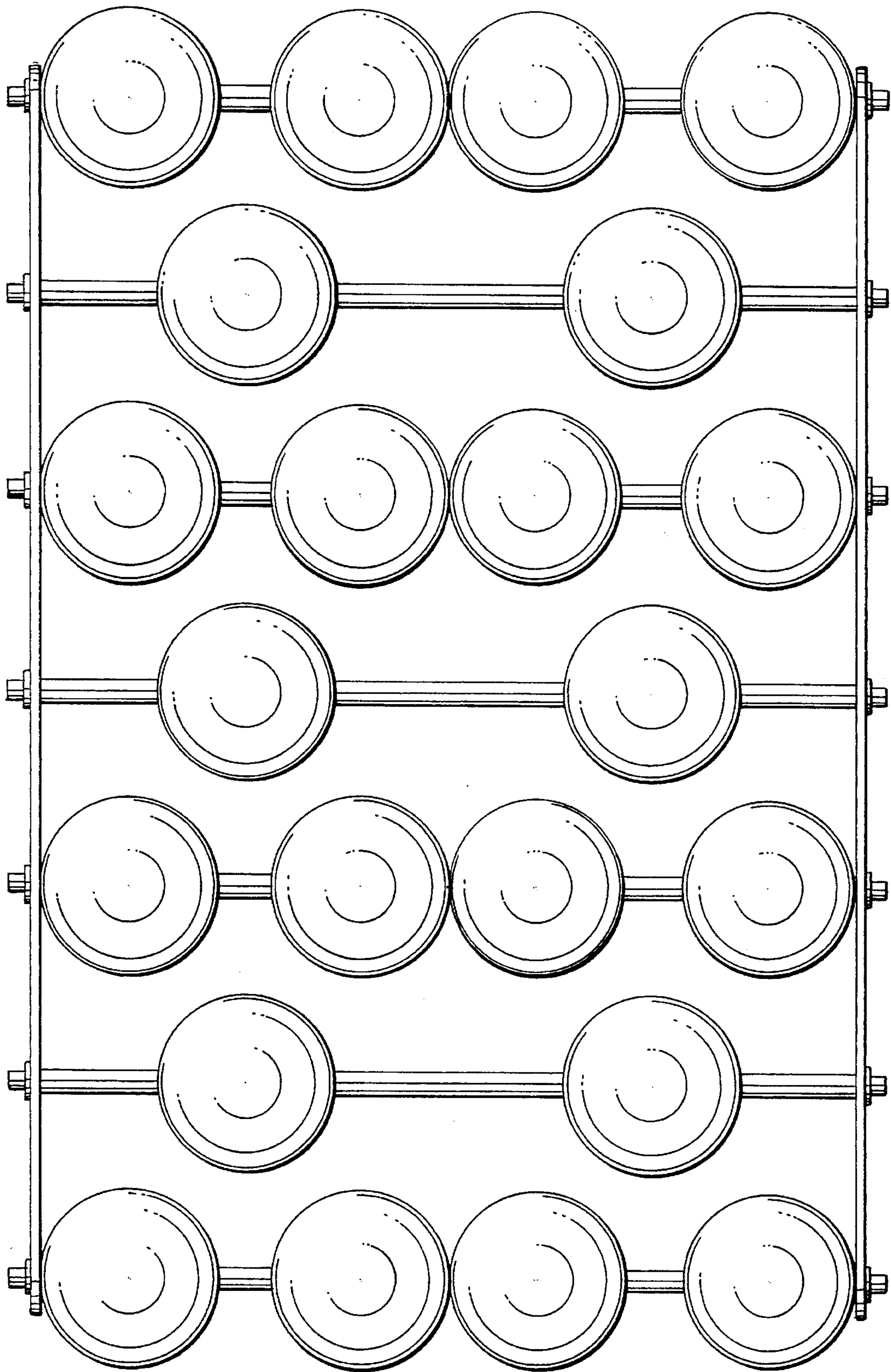


Fig. 1

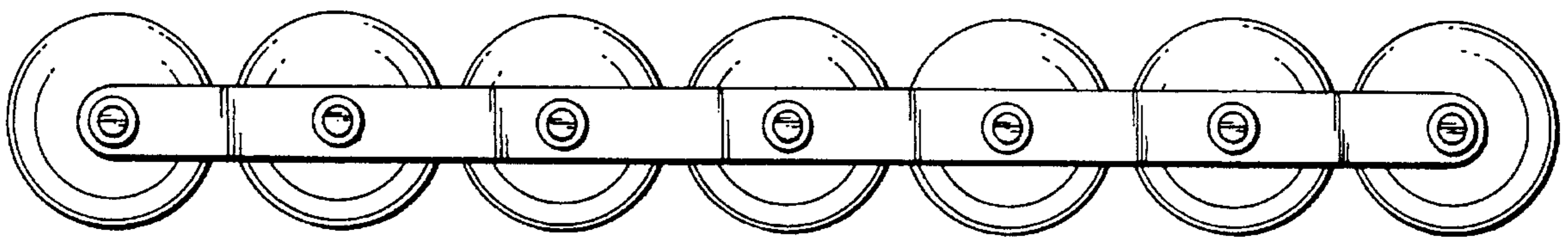


Fig. 2

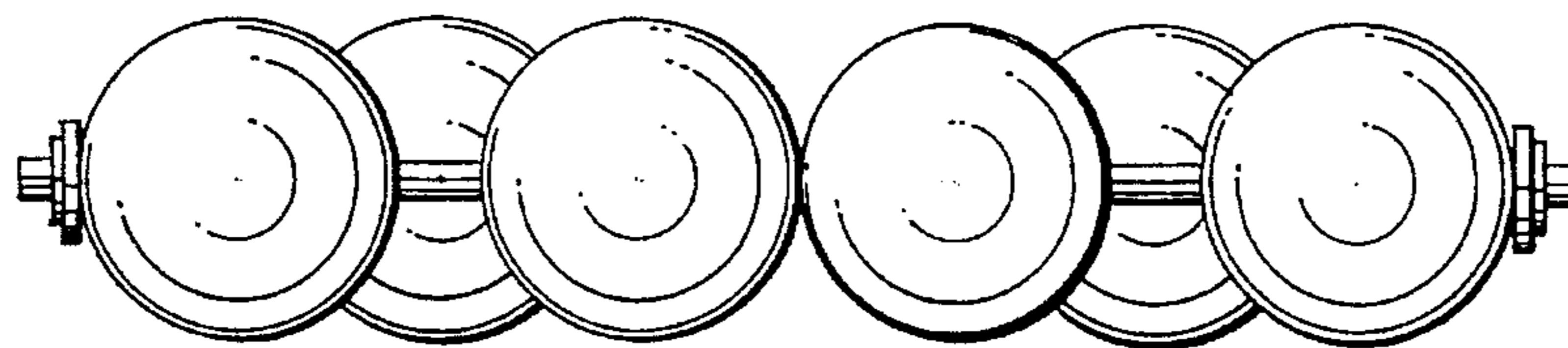


Fig. 3