



US00D374081S

United States Patent [19]

[11] Patent Number: **Des. 374,081**

Keller et al.

[45] Date of Patent: ****Sep. 24, 1996**

[54] **FORCE APPLYING END OF A CHIROPRACTIC ADJUSTING INSTRUMENT INCLUDING BODY CONTACT MEMBER AND SHANK**

OTHER PUBLICATIONS

Advertising Brochure by Activator Methods, Inc. for "Activator Instrument" and Instrument Attachment/Cervical Tip (dated Jan./Feb., 1994; pp. 1 and 10).

[75] Inventors: **Tony S. Keller**, Burlington, Vt.; **Arlan W. Fuhr**, Phoenix, Ariz.

Primary Examiner—B. J. Bullock
Assistant Examiner—Linda Brooks
Attorney, Agent, or Firm—Leydig, Voit & Mayer, Ltd.

[73] Assignee: **Activator Methods, Inc.**, Phoenix, Ariz.

[57] CLAIM

[**] Term: **14 Years**

The ornamental design for a force applying end of a chiropractic adjusting instrument including body contact member and shank, as shown and described.

[21] Appl. No.: **39,207**

DESCRIPTION

[22] Filed: **May 23, 1995**

[52] U.S. Cl. **D24/200; D24/133**

[58] Field of Search D24/171, 133, D24/200, 211, 214, 215; 606/238, 237, 239, 240, 241; 601/101, 103, 107, 108, 110, 111, 134

FIG. 1 is a bottom perspective view of a force applying end of a chiropractic adjusting instrument including body contact member and shank showing my new design;
FIG. 2 is a side elevational view thereof;
FIG. 3 is a bottom plan view thereof, taken along line 3—3 in FIG. 2; and,
FIG. 4 is a top plan view thereof, taken along line 4—4 in FIG. 2.

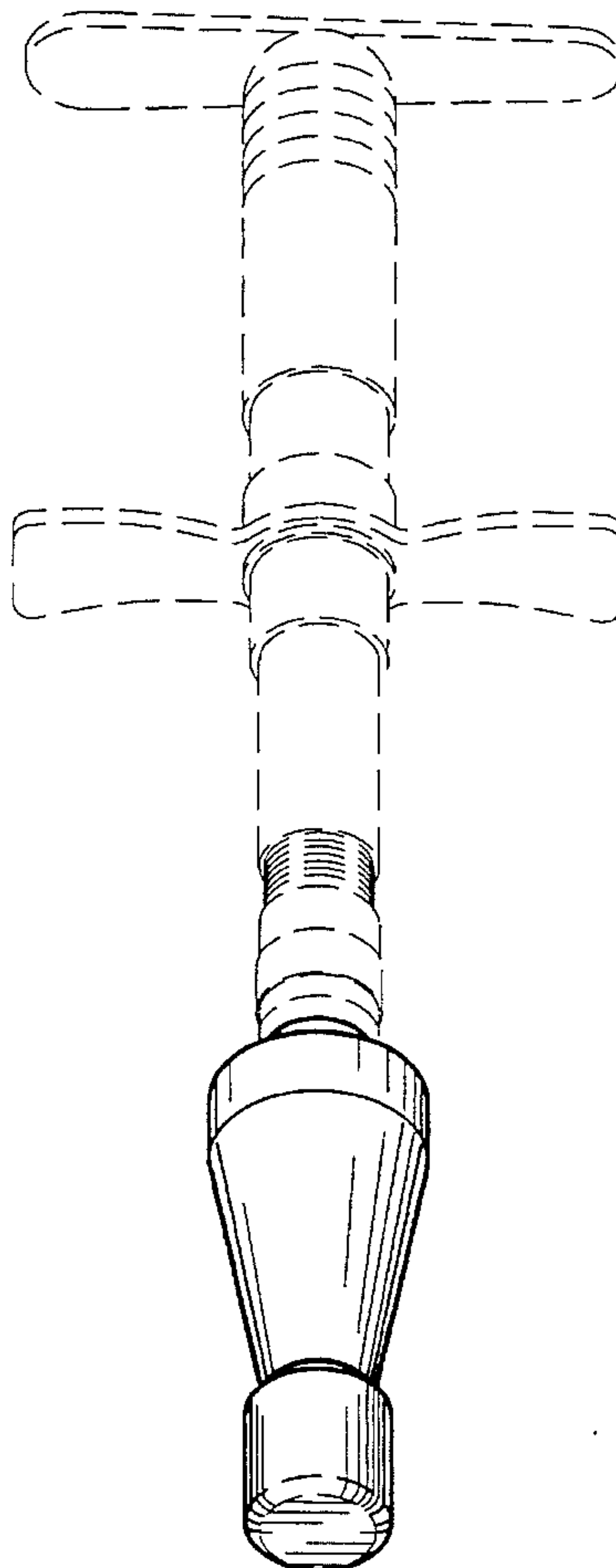
[56] References Cited

U.S. PATENT DOCUMENTS

D. 269,812	7/1983	Lancellotti	D24/171	X
2,421,354	5/1947	Reiter	.		
4,116,235	9/1978	Fuhr et al.	.		
4,498,464	2/1985	Morgan, Jr.	601/107	
4,669,454	6/1987	Shamos	D24/200	X

The broken line illustration in FIGS. 1, 2, and 3 is for illustrative purposes only and forms no part of the claimed design.

1 Claim, 2 Drawing Sheets



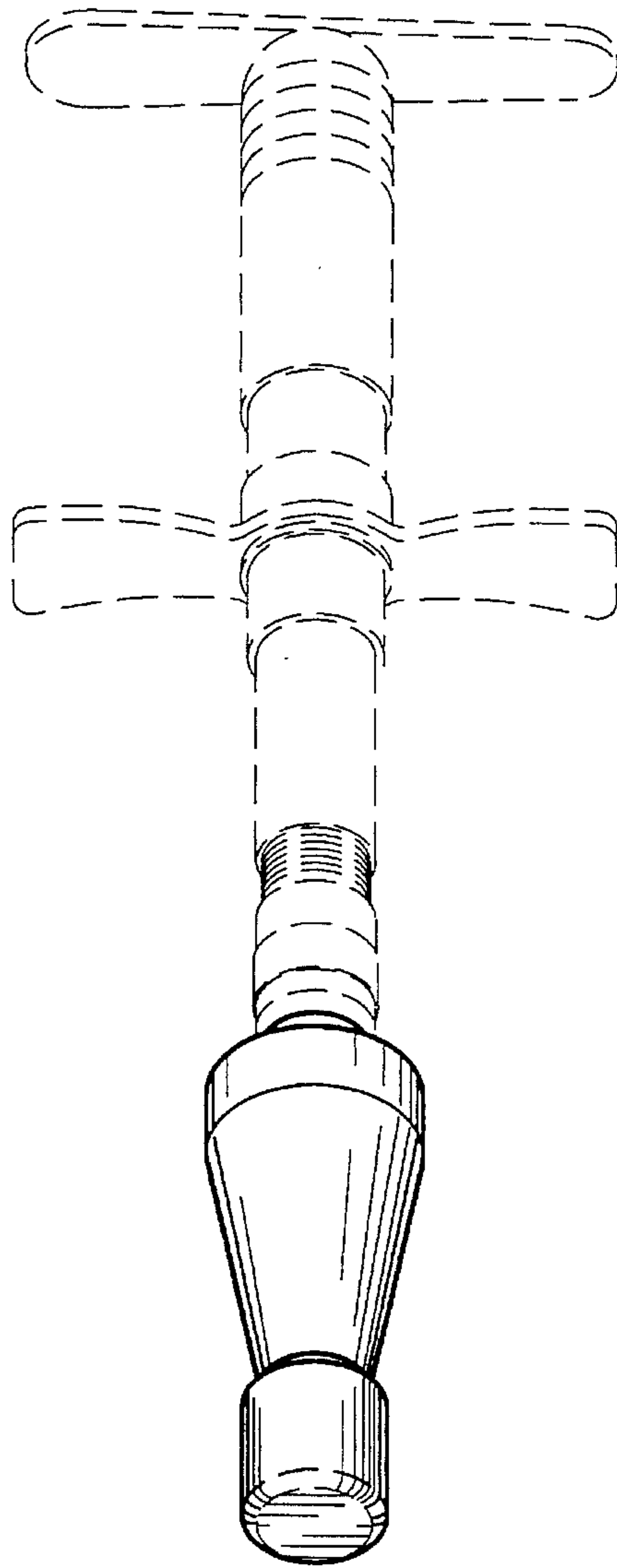


FIG. 1

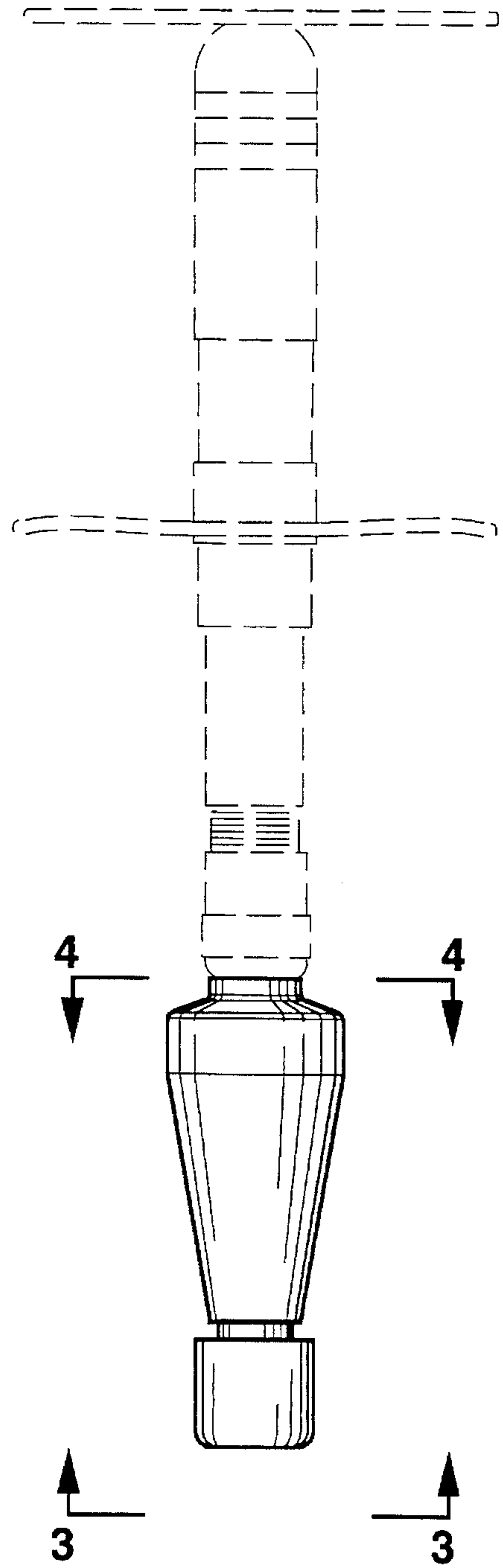


FIG. 2

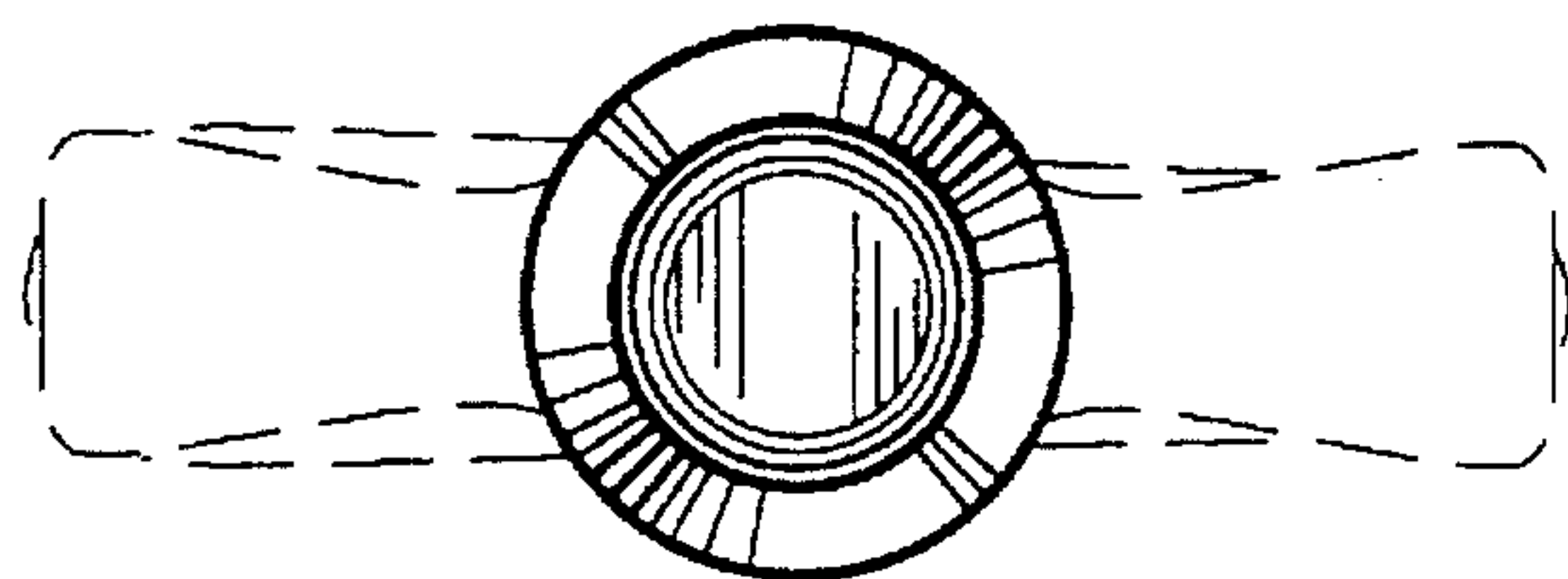


FIG.3

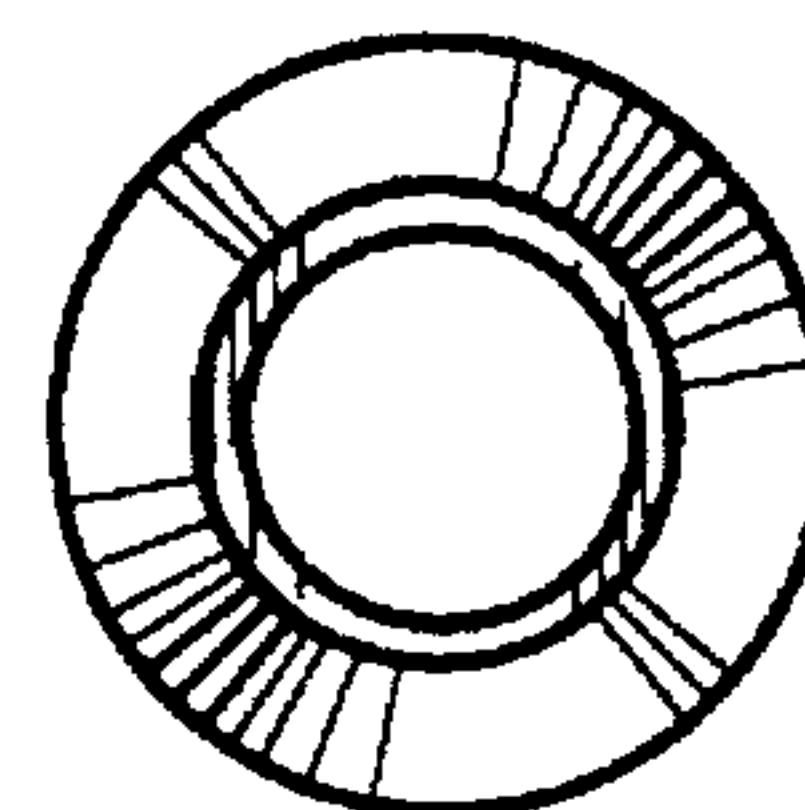


FIG.4