



US00D374077S

# United States Patent [19]

Butler

[11] Patent Number: **Des. 374,077**

[45] Date of Patent: **\*\*Sep. 24, 1996**

[54] OTOSCOPE

5,345,926 9/1994 Chikama ..... 600/200

[76] Inventor: **F. Paul Butler**, 1201 Oakfield Dr.,  
Brandon, Fla. 33511

*Primary Examiner*—Louis S. Zarfes  
*Assistant Examiner*—I. Simmons  
*Attorney, Agent, or Firm*—A. W. Fisher, III

[\*\*] Term: **14 Years**

### [57] CLAIM

[21] Appl. No.: **23,844**

The ornamental design for an otoscope, as shown and described.

[22] Filed: **Jun. 2, 1994**

[52] U.S. Cl. .... **D24/137**

### DESCRIPTION

[58] Field of Search ..... D24/135, 137;  
600/199, 200

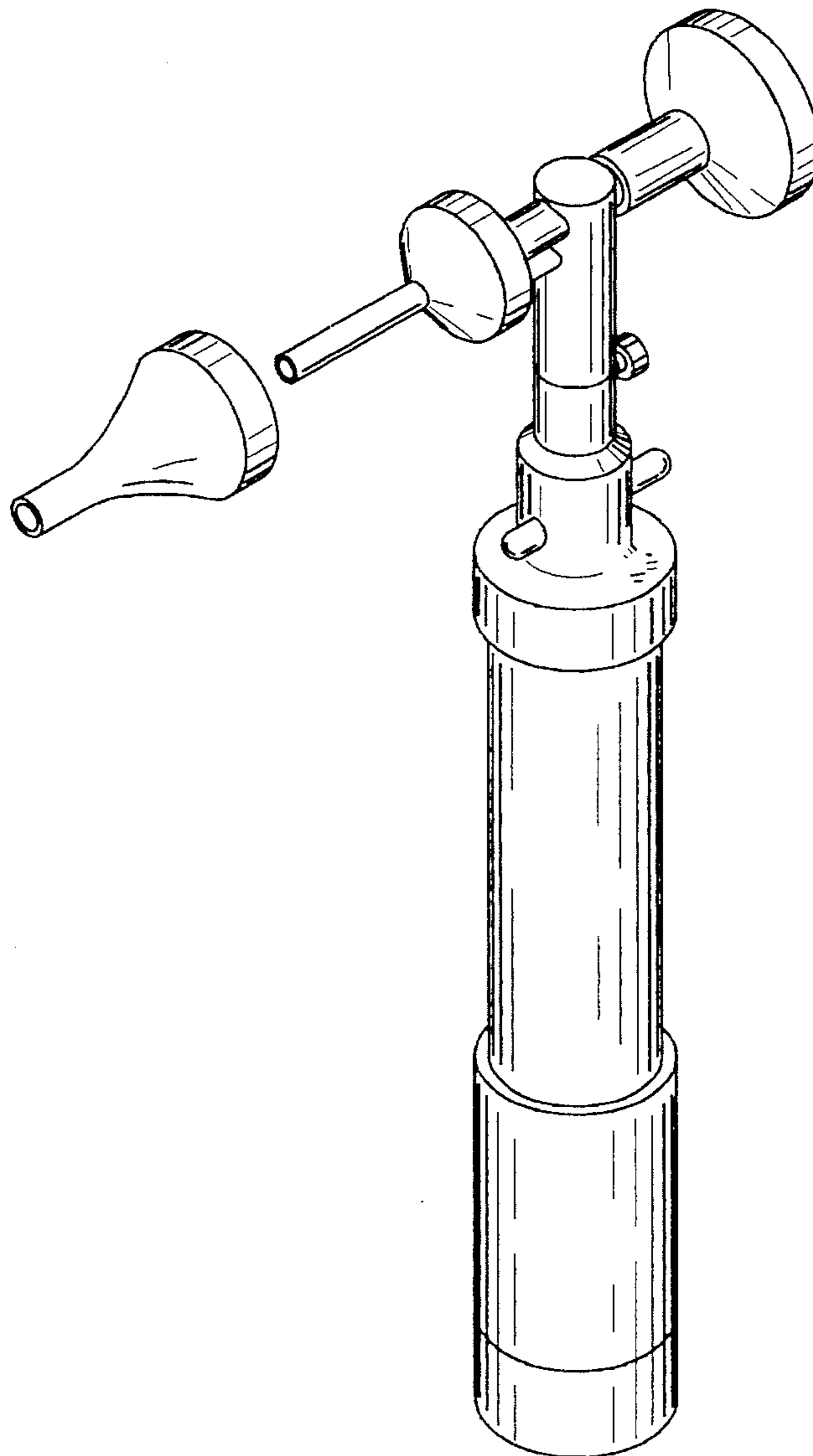
FIG. 1 is a perspective view of the otoscope;  
FIG. 2 is a front elevational view thereof;  
FIG. 3 is a rear elevational view thereof;  
FIG. 4 is a right side view thereof;  
FIG. 5 is a left side view thereof;  
FIG. 6 is a top plan view thereof; and,  
FIG. 7 is a bottom plan view thereof.

### [56] References Cited

#### U.S. PATENT DOCUMENTS

D. 221,109	7/1971	Heine	.....	D24/137
D. 278,554	4/1985	Bain et al.	.....	D24/137
1,515,771	11/1924	Greenwald	.....	600/200
1,589,172	6/1926	Zeng	.....	600/200
3,934,578	1/1976	Heine	.....	600/200

**1 Claim, 3 Drawing Sheets**



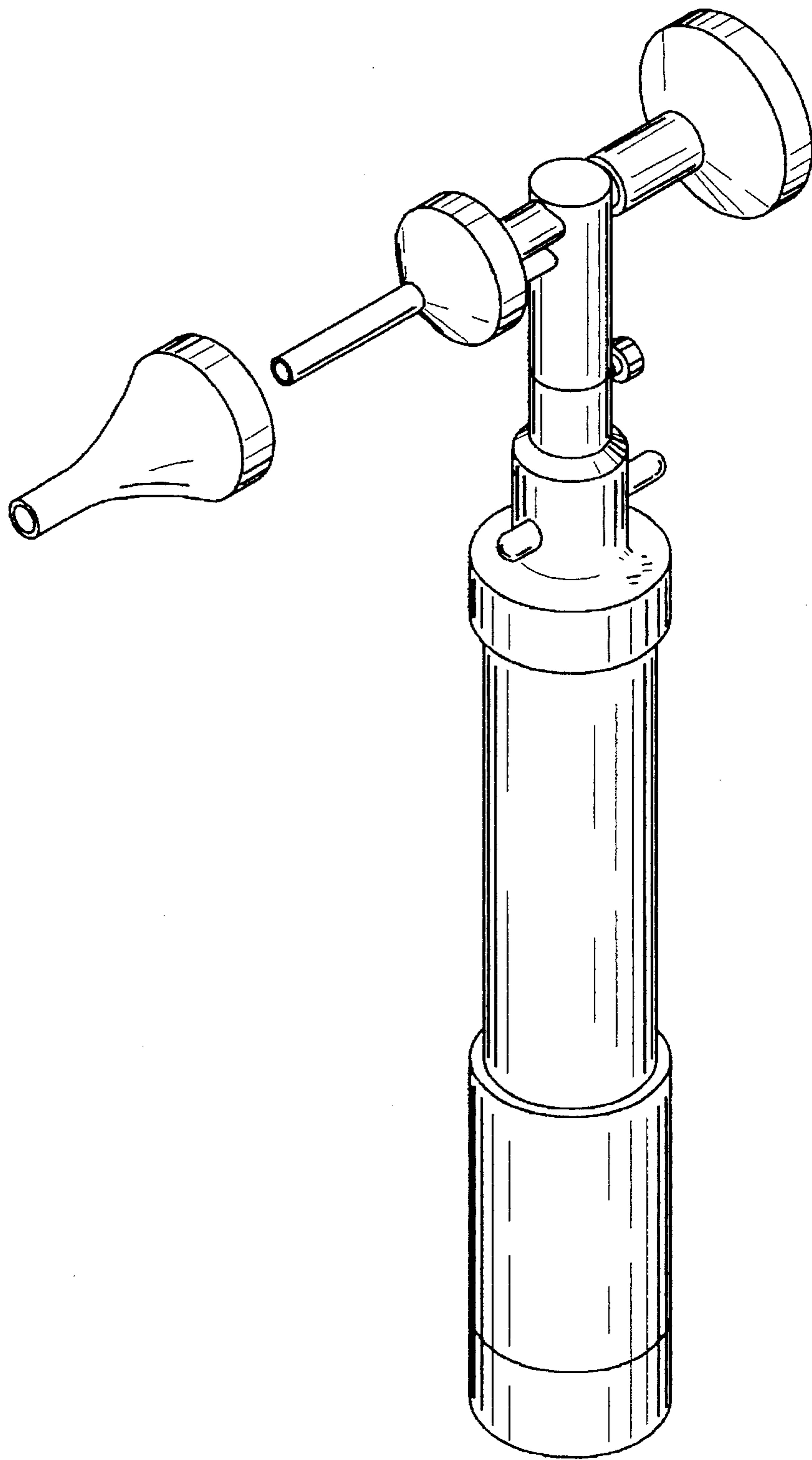


Fig. 1

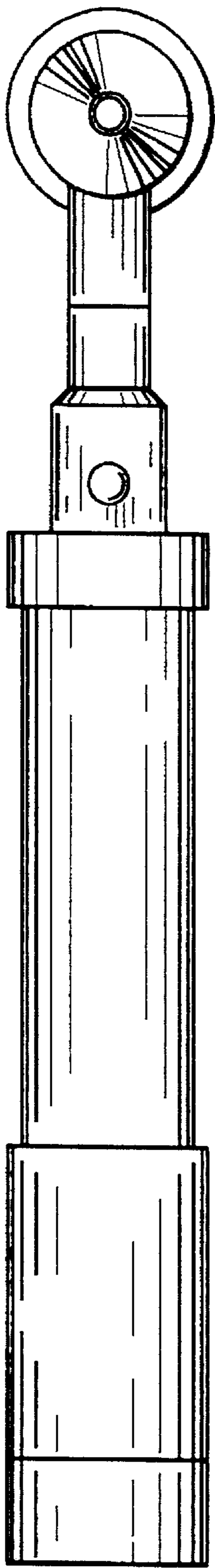


Fig. 2

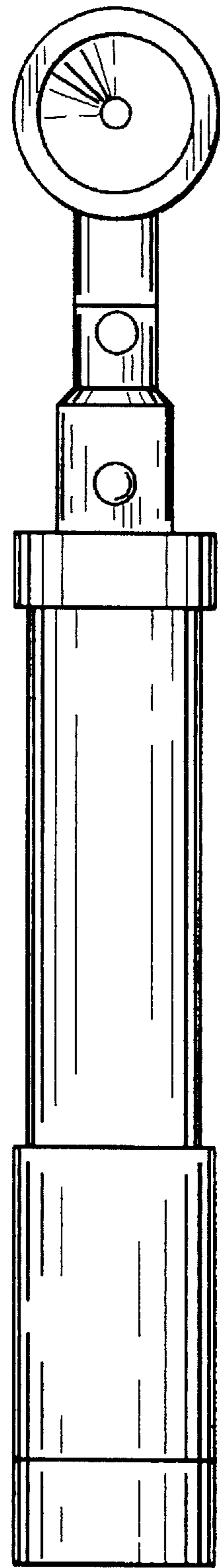


Fig. 3

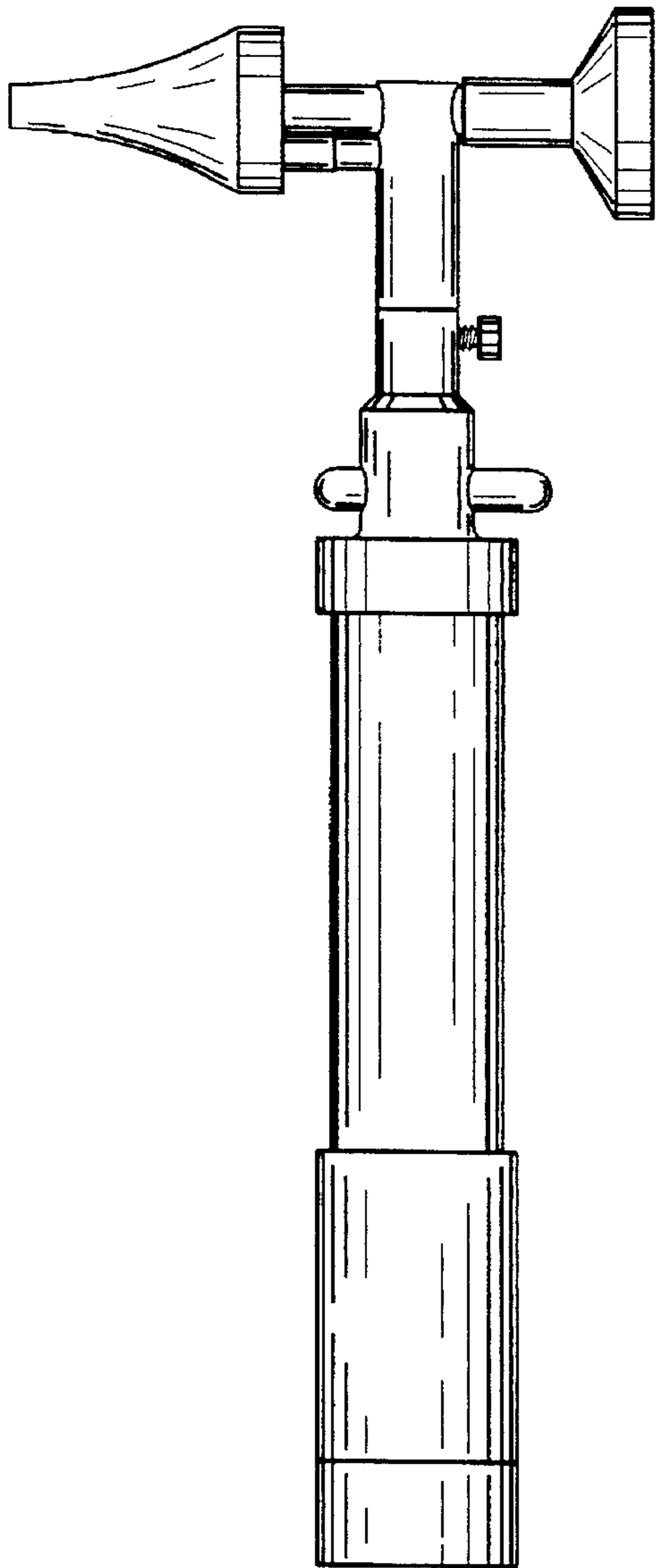


Fig. 4

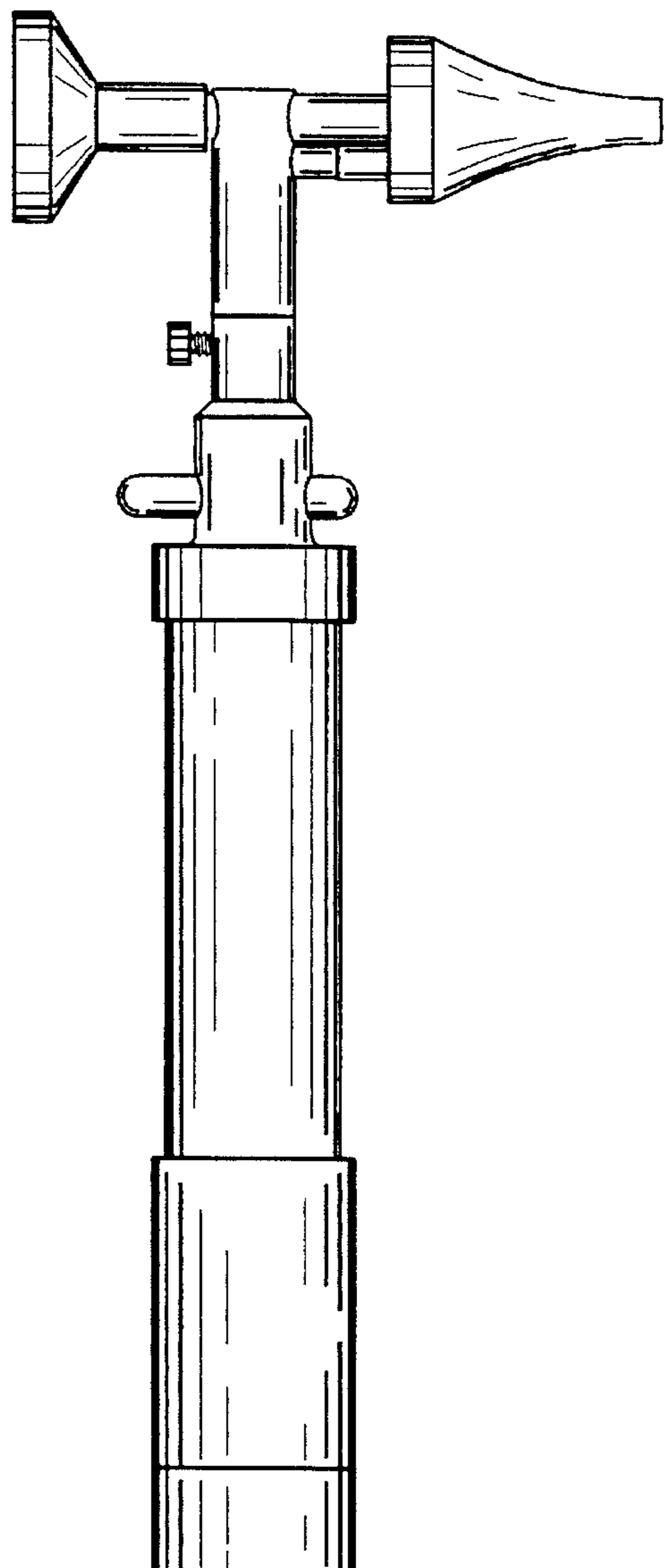


Fig. 5

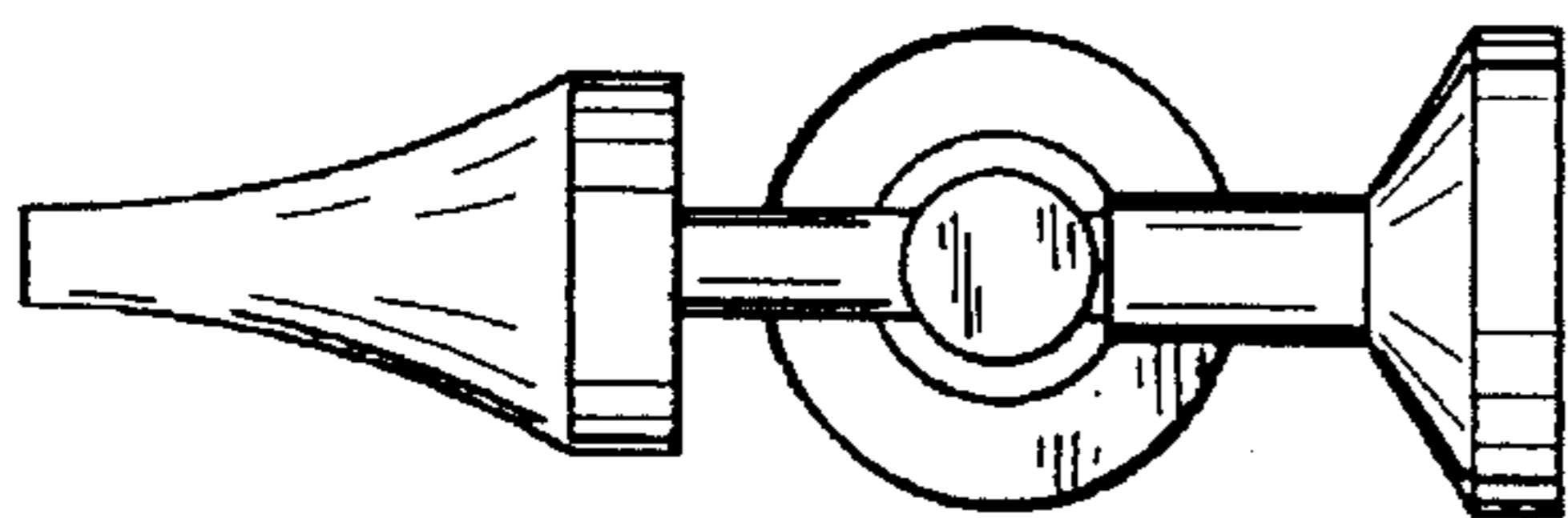


Fig. 6

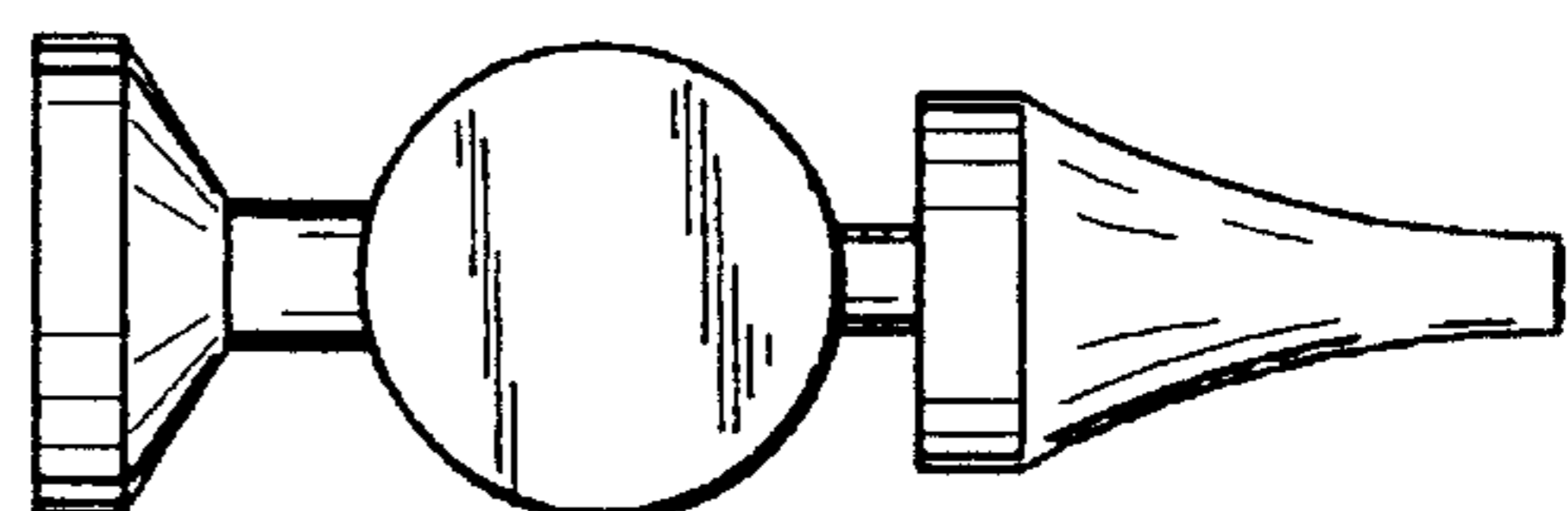


Fig. 7