



US00D374076S

United States Patent [19]

Hillstead et al.

[11] Patent Number: Des. 374,076

[45] Date of Patent: **Sep. 24, 1996

[54] SHEATH INTRODUCER

5,403,284 4/1995 Gross 604/167
5,409,461 4/1995 Steinman 604/167 X

[75] Inventors: Richard A. Hillstead, Duluth, Ga.;
Joseph B. Muhlestein, Bountiful, Utah

OTHER PUBLICATIONS

[73] Assignee: Novoste Corporation, Norcross, Ga.

Conn, Harold (1993) Hepatology vol. 17, No. 1, p. 148,
*transjugular Intrahepatic Portal-Systemic Shunts: The State
of the Art, 1993.*

[**] Term: 14 Years

Primary Examiner—Louis S. Zarfes
Assistant Examiner—I. Simmons
Attorney, Agent, or Firm—Bernstein & Associates

[21] Appl. No.: 24,444

[22] Filed: Jun. 14, 1994

[52] U.S. Cl. D24/112

[57] CLAIM

[58] Field of Search D24/112, 130,
D24/146, 147; 128/751, 753, 754, 755;
604/164, 264, 165, 158, 170, 282, 167

The ornamental design for our sheath introducer, as shown
and described.

[56] References Cited

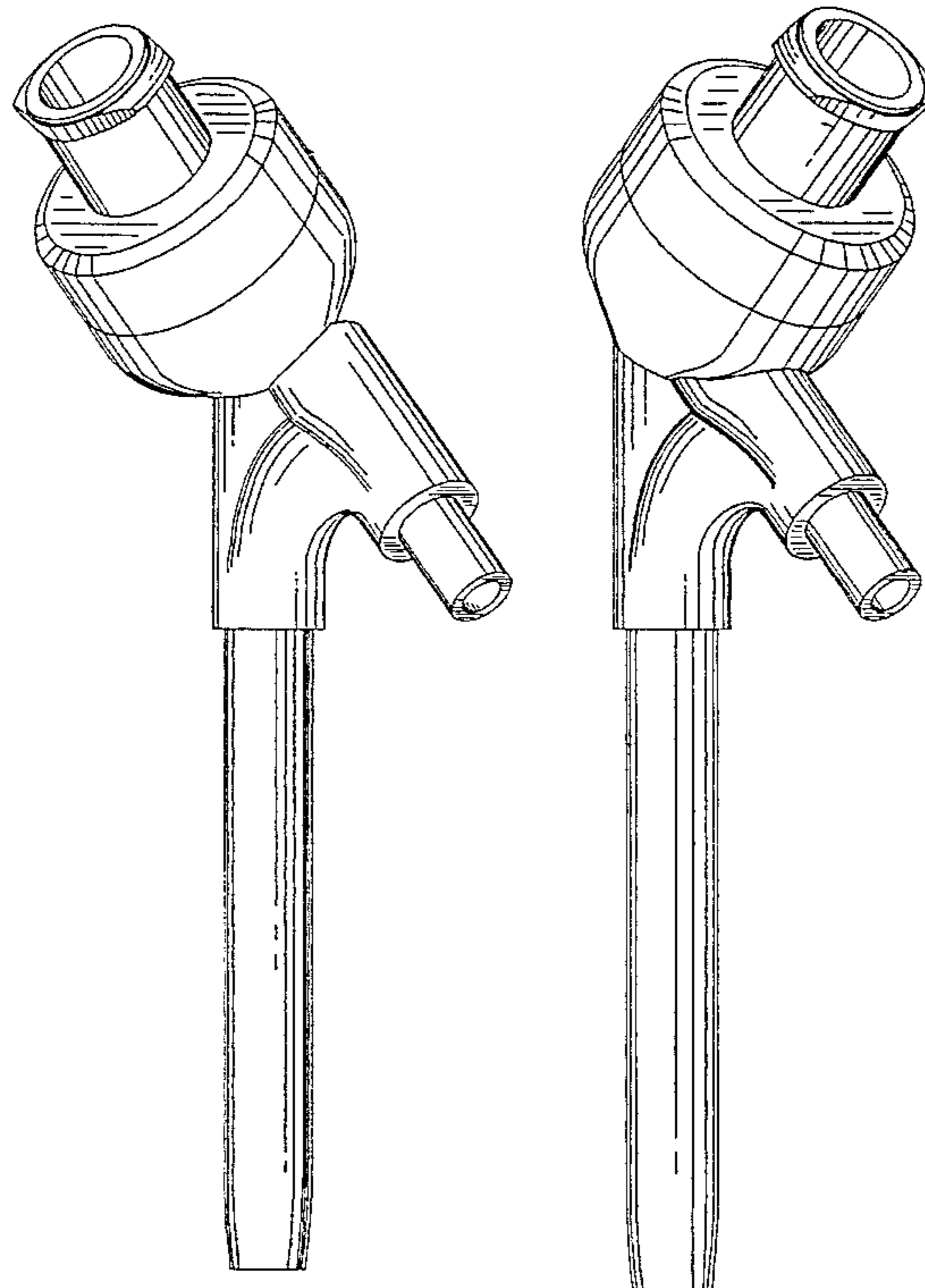
DESCRIPTION

U.S. PATENT DOCUMENTS

3,017,887	1/1962	Heyer	128/348
4,000,739	1/1977	Stevens	128/214.4
4,424,833	1/1984	Spector et al.	137/849
4,610,665	9/1986	Matsumoto et al.	604/167
4,686,977	8/1987	Cosma	128/207.17
4,798,594	1/1989	Hillstead	604/167
4,874,378	10/1989	Hillstead	604/167
4,895,565	1/1990	Hillstead	604/167
5,066,285	11/1991	Hillstead	604/164
5,112,308	5/1992	Olsen et al.	604/164
5,125,902	6/1992	Berry et al.	604/164
5,146,925	9/1992	Snow	604/51
5,167,645	12/1992	Castillo	604/272
5,215,527	6/1993	Beck et al.	604/164
5,219,335	6/1993	Willard et al.	604/164
5,267,979	12/1993	Appling et al.	604/264 X
5,376,077	12/1994	Gomringer	604/167
5,395,341	3/1995	Slater	604/164

FIG. 1 is a perspective view of a sheath introducer showing
our new design;
FIG. 2 is a top plan view thereof;
FIG. 3 is a rear side elevation view thereof;
FIG. 4 is a left side elevation view thereof;
FIG. 5 is a front side elevation view thereof;
FIG. 6 is a right side elevation view thereof;
FIG. 7 is a bottom plan view thereof;
FIG. 8 is a perspective view of a second embodiment of a
sheath introducer showing our new design;
FIG. 9 is a top plan view thereof;
FIG. 10 is a rear side elevation view thereof;
FIG. 11 is a left side elevation view thereof;
FIG. 12 is a front side elevation view thereof;
FIG. 13 is a right side elevation view thereof; and,
FIG. 14 is a bottom plan view thereof.

1 Claim, 14 Drawing Sheets



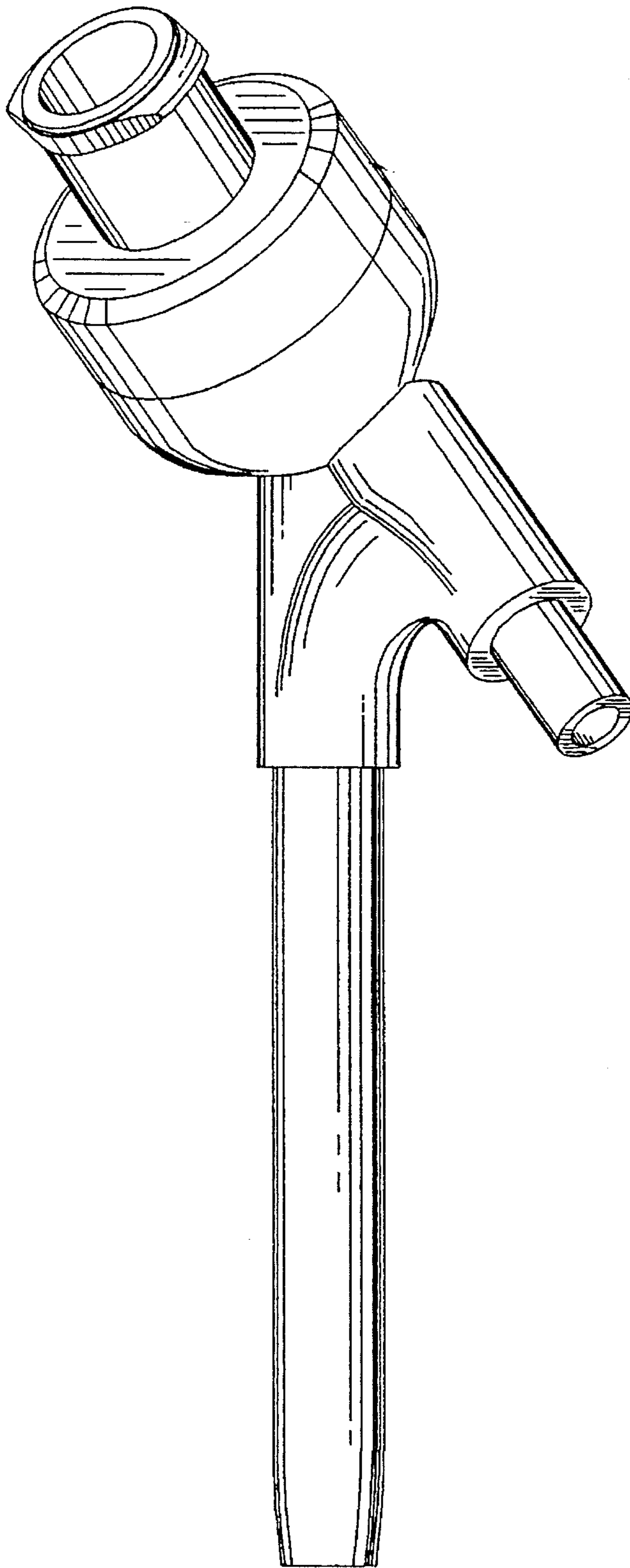


FIG. 1

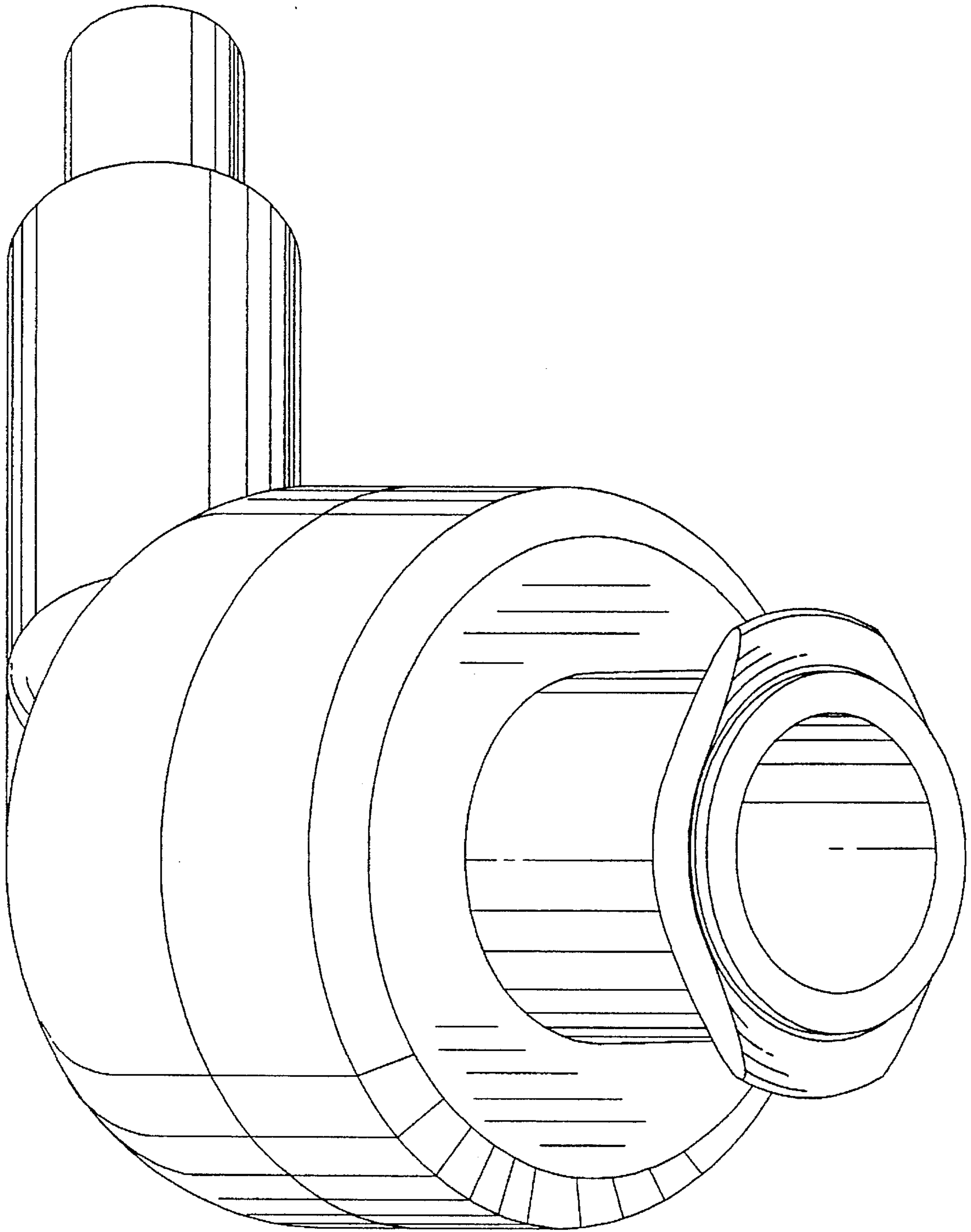


FIG. 2

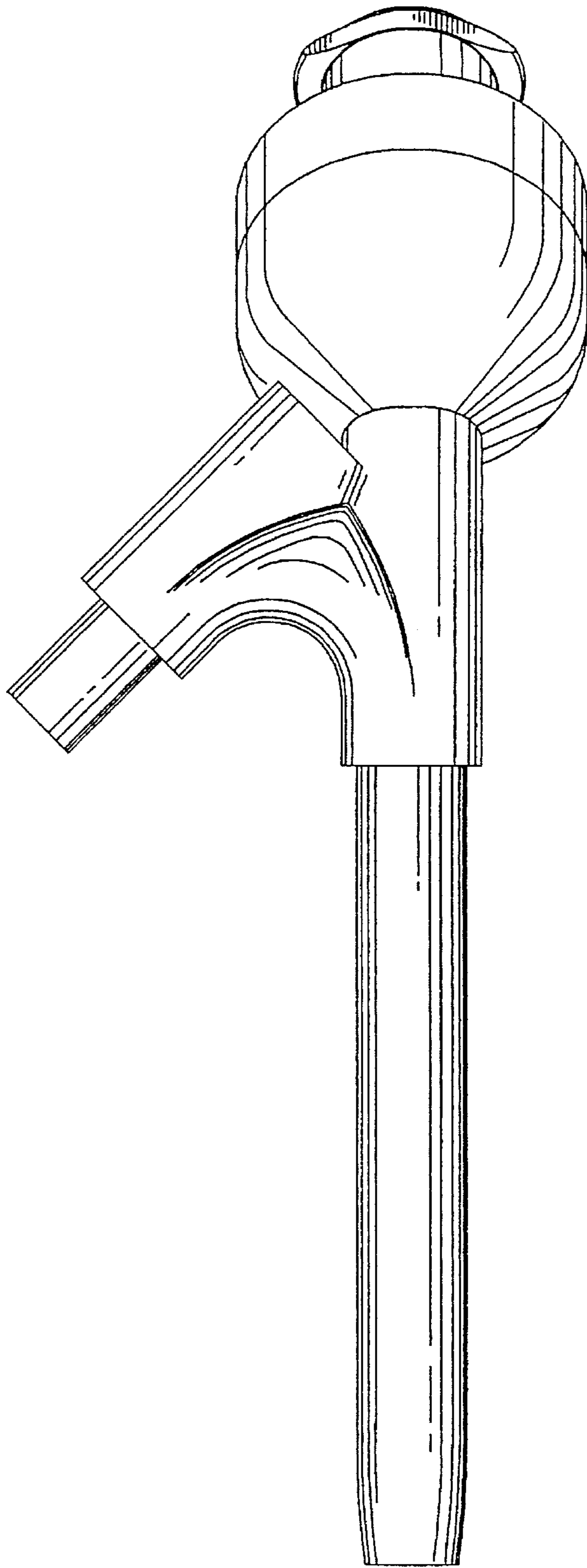


FIG. 3

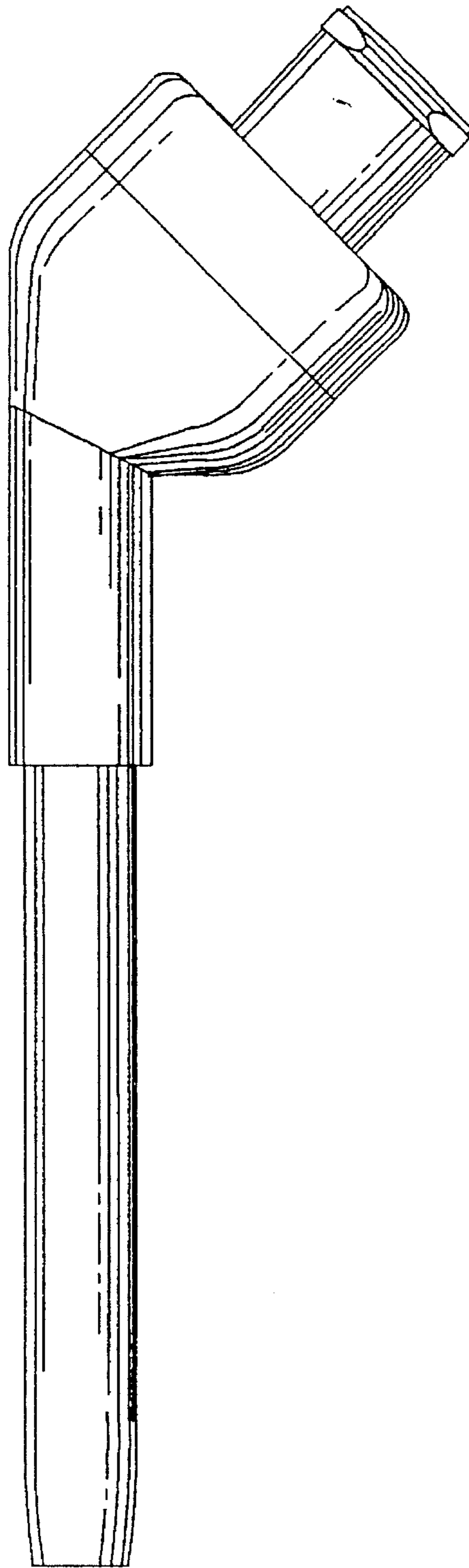


FIG. 4

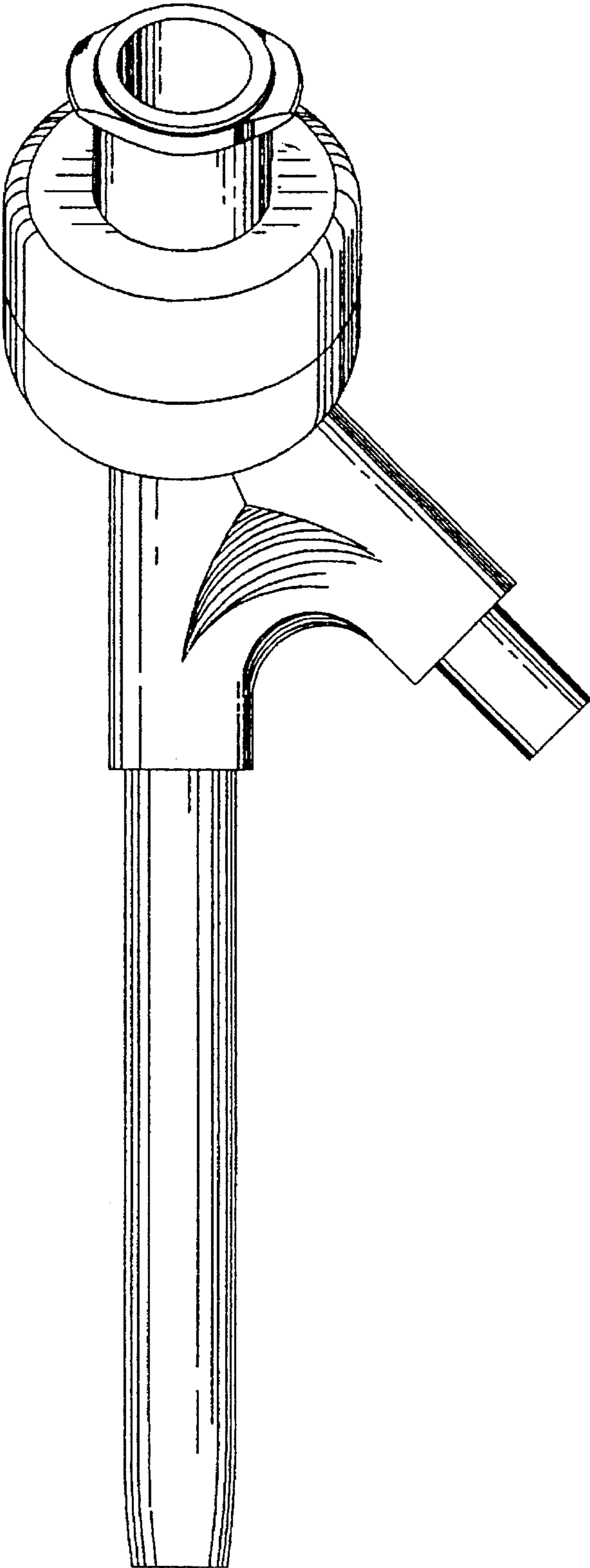


FIG. 5

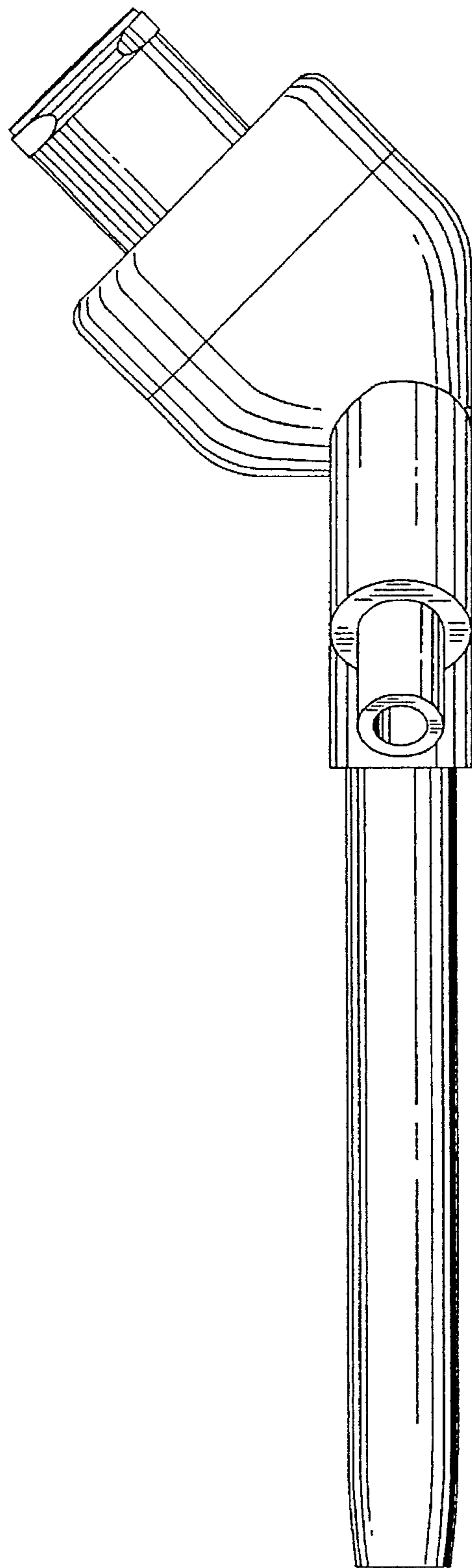


FIG. 6

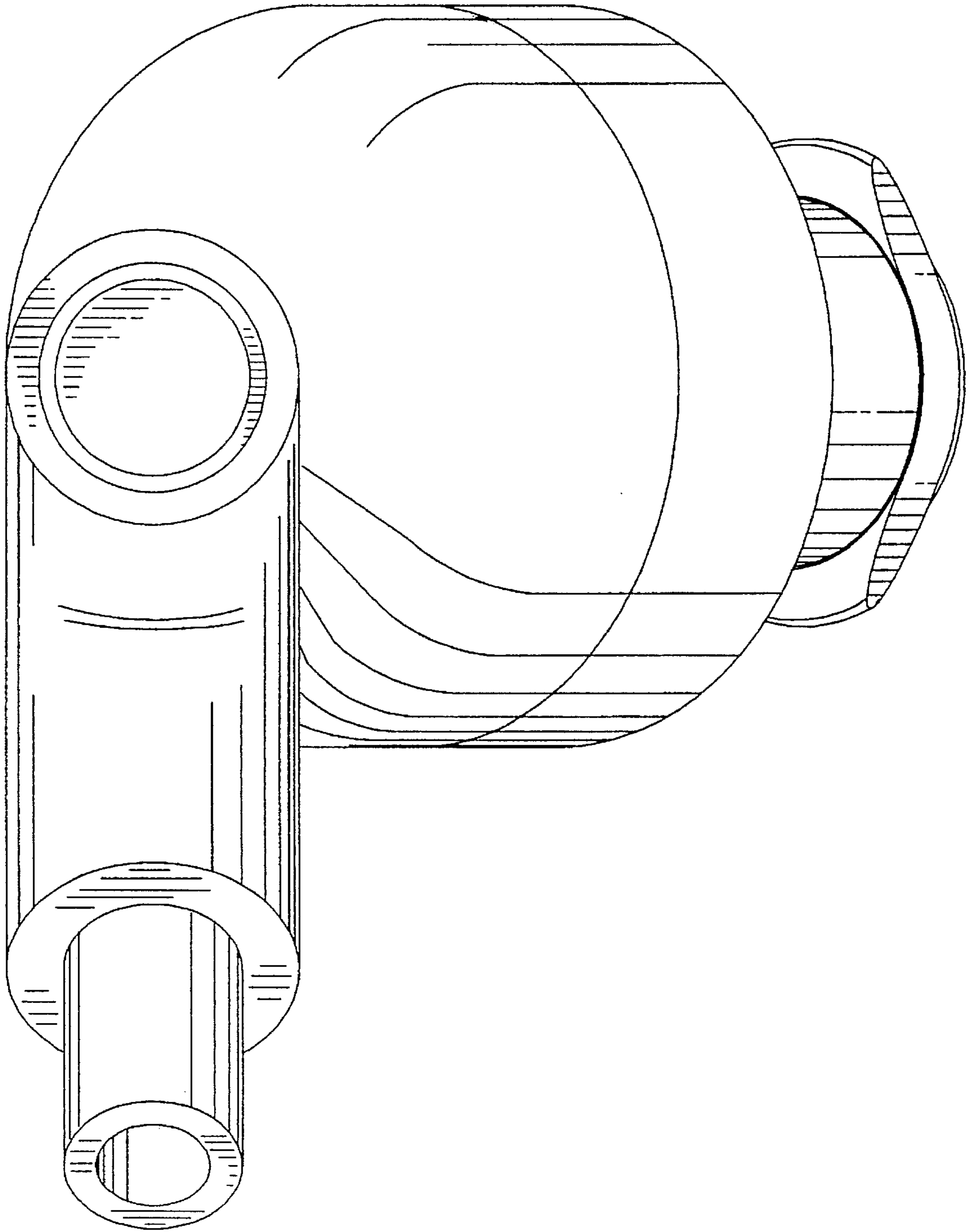


FIG. 7

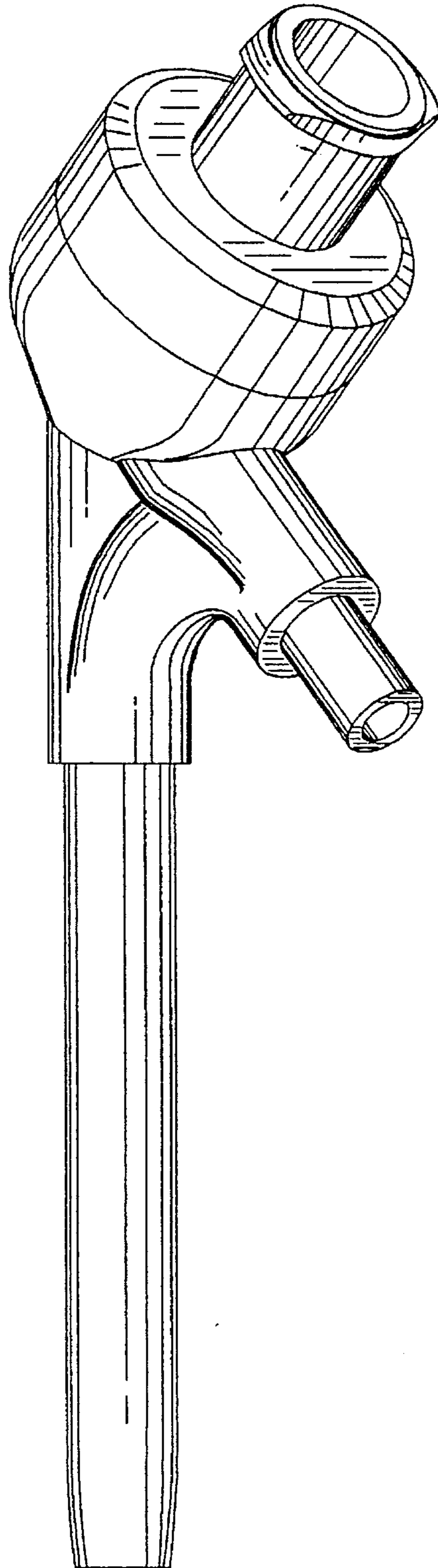


FIG. 8

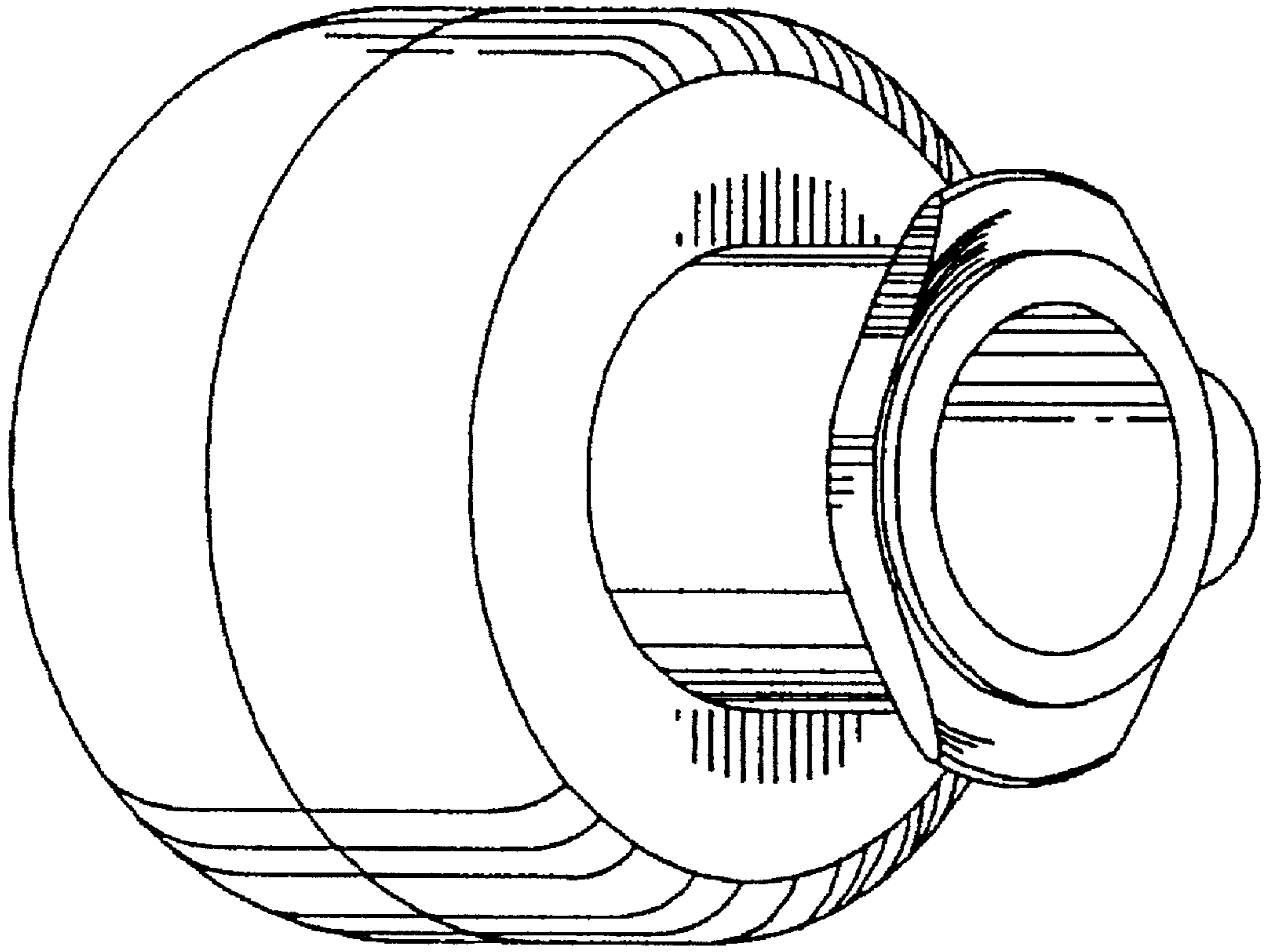


FIG. 9

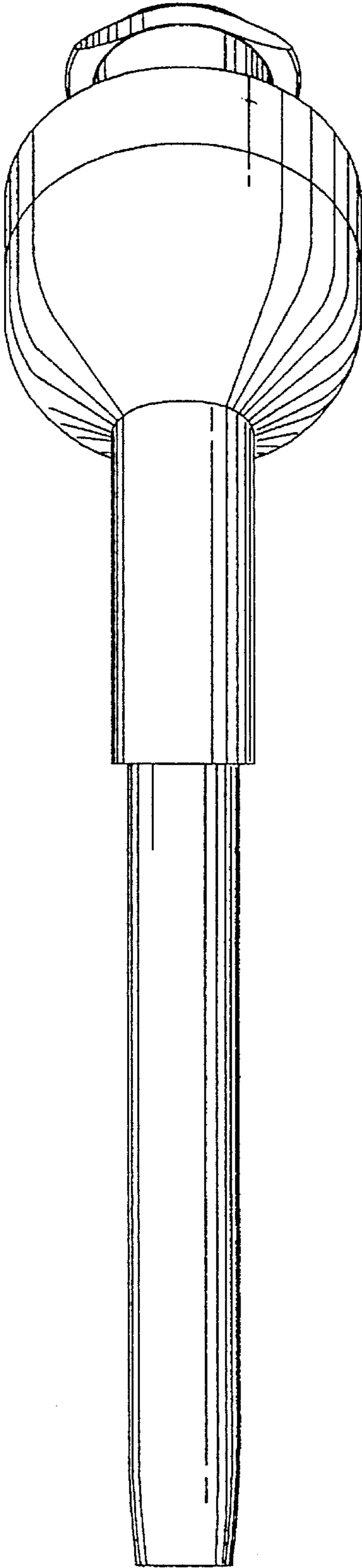


FIG. 10

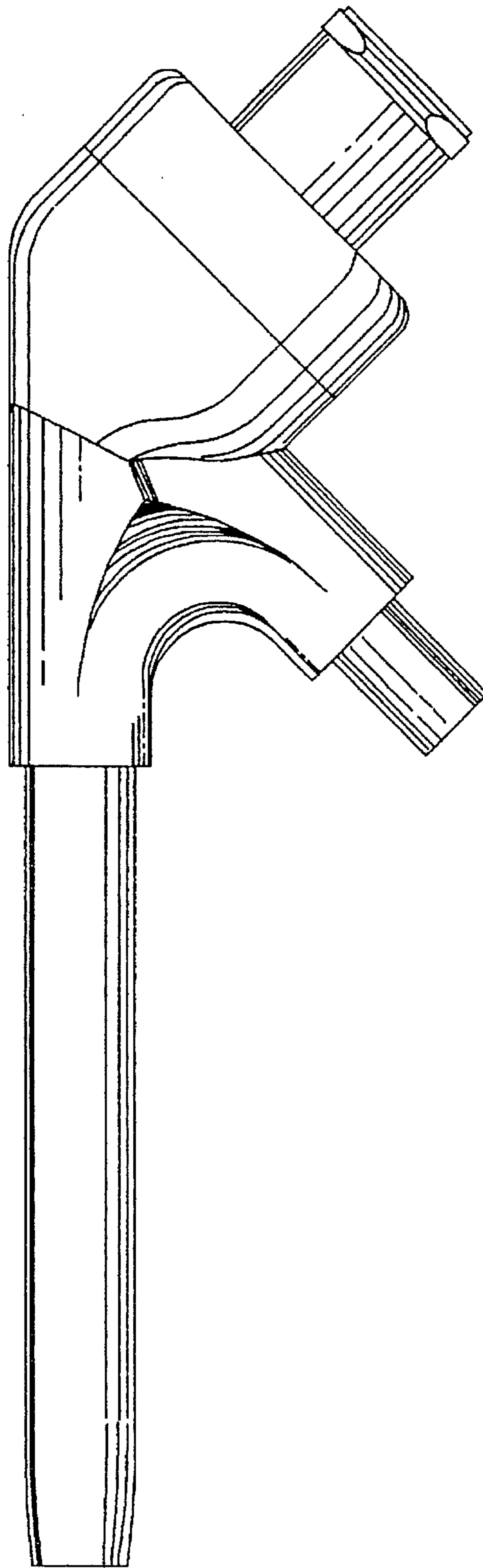


FIG. 11

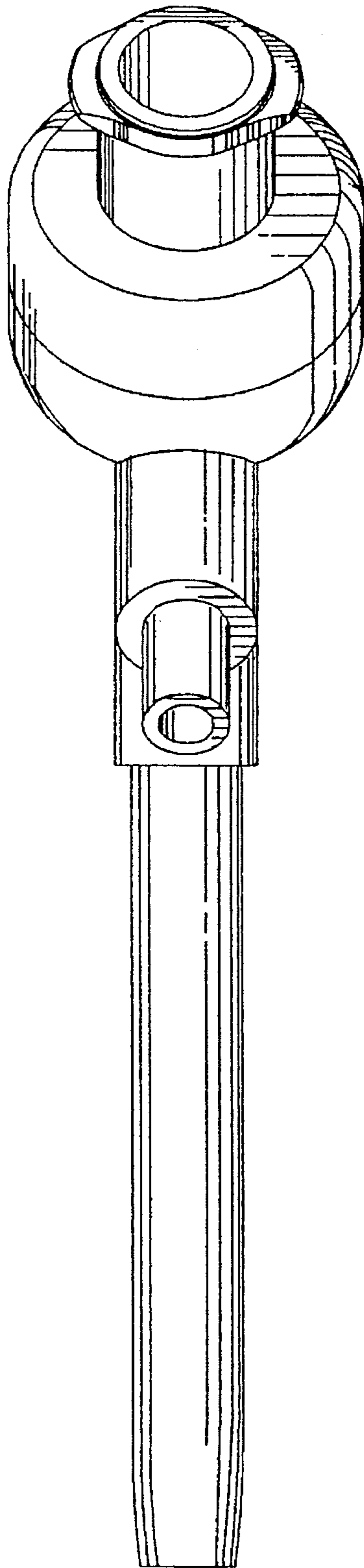


FIG. 12

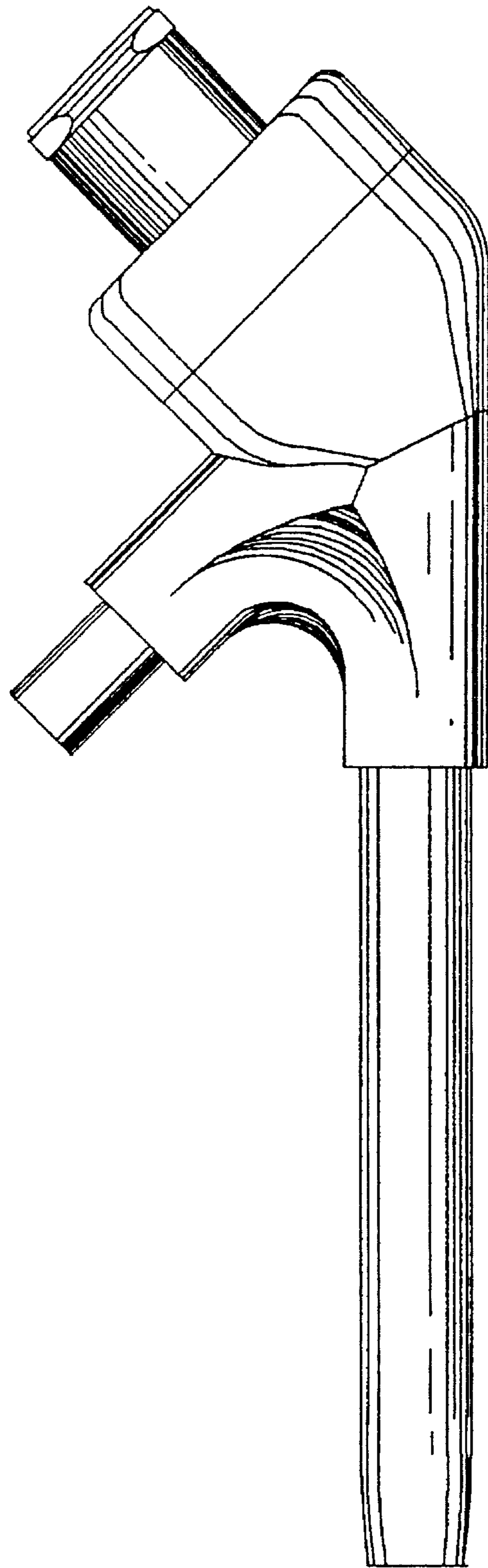


FIG. 13

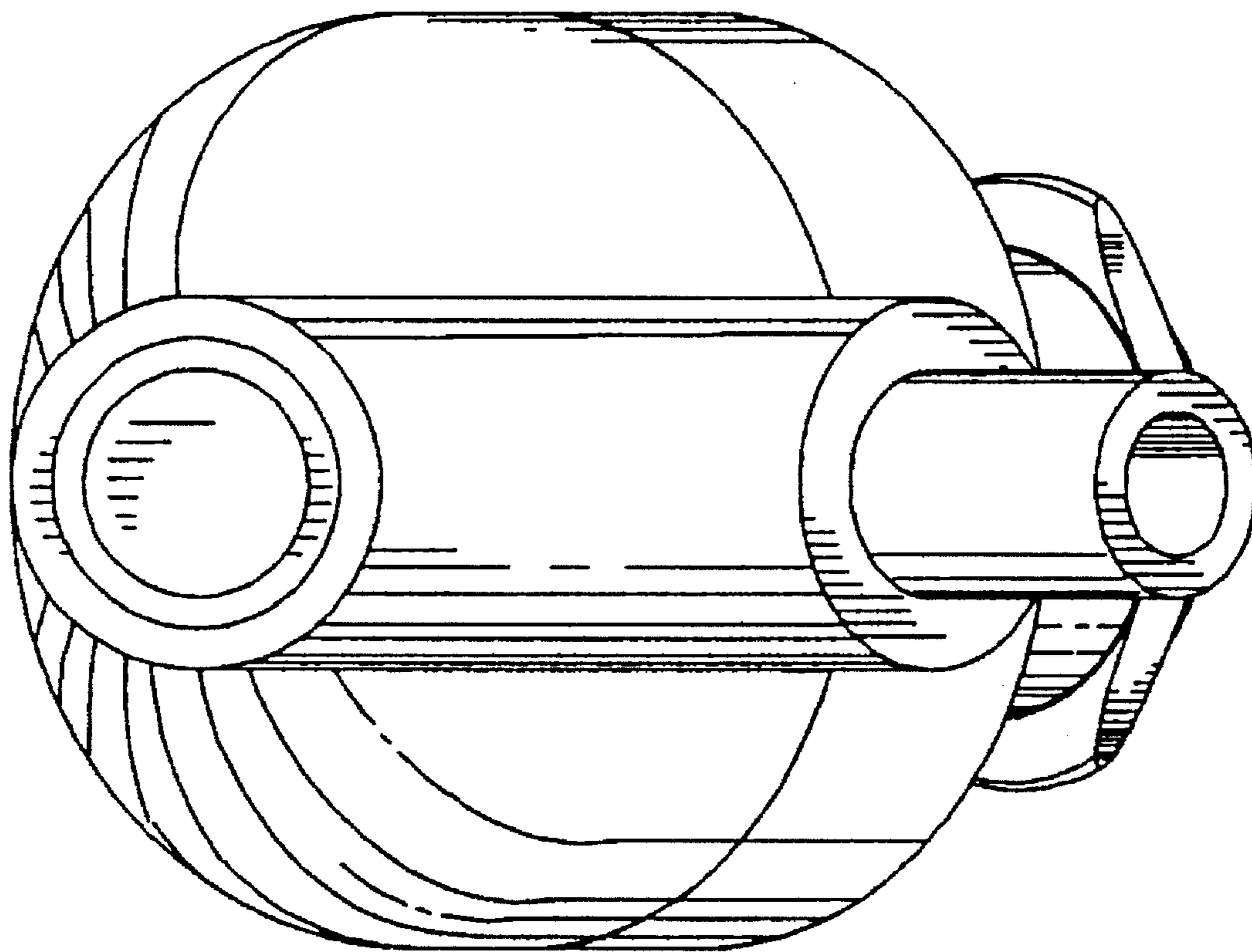


FIG. 14