



US00D374075S

**United States Patent** [19]  
**Lee**

[11] **Patent Number: Des. 374,075**  
[45] **Date of Patent: \*\*Sep. 24, 1996**

[54] **AIR PUMP FOR MEDICAL USE**

[76] Inventor: **Daniel Lee**, 11th Floor, No. 20, Alley 1,  
Lane 768, Sec. 4, Pa-Te Road, Taipei,  
Taiwan

[\*\*] Term: **14 Years**

[21] Appl. No.: **35,217**

[22] Filed: **Feb. 22, 1995**

[52] **U.S. Cl.** ..... **D24/111; D15/7**

[58] **Field of Search** ..... **D24/111; 604/169,**  
**604/289; 601/162, 929; 5/453, 929**

[56] **References Cited**

**U.S. PATENT DOCUMENTS**

D. 222,195	10/1971	Hultberg	.....	D24/169
D. 224,172	7/1972	Schmidt	.....	D24/169
D. 237,113	10/1975	Hoff et al.	.....	D24/111
D. 246,668	12/1977	Mackay et al.	.....	601/162
D. 254,806	4/1980	Kitai et al.	.....	D24/169
D. 315,406	4/1991	Dye	.....	D24/169
4,668,227	5/1987	Kay	.....	604/289
5,029,576	7/1991	Evan, Sr.	.....	601/162

**OTHER PUBLICATIONS**

Daigger Catalog 1994 p. 163 at top Left.  
Cole Parmer Catalog 95-96 p. 1153 at top Rt.  
Cole Parmer Catalog 95-95 p. 9 1149 At Bottom Left.

Journal of Oral & Maxillo Facial Surgery-ENAC Adver-  
tisement top L. & Bottom Rt.—no page No. vol. 53, No. 10  
Oct. 1995.

*Primary Examiner*—Louis S. Zarfes  
*Assistant Examiner*—Frank Martinez  
*Attorney, Agent, or Firm*—Bacon & Thomas

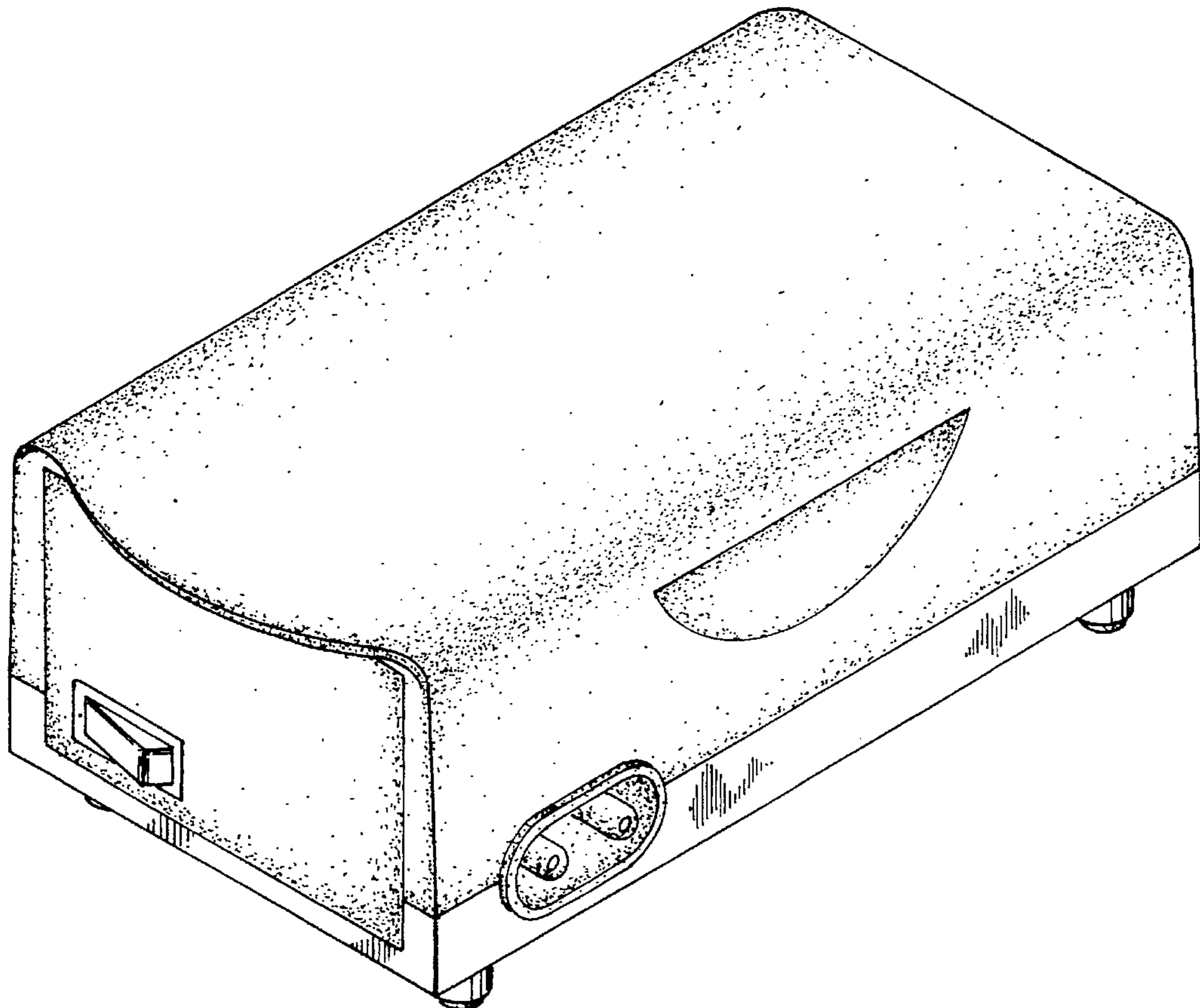
[57] **CLAIM**

The ornamental design for a an air pump for medical use, as  
shown and described.

**DESCRIPTION**

FIG. 1 is a top, front, right side perspective view of an air  
pump for medical use showing my new design;  
FIG. 2 is a front elevational view thereof;  
FIG. 3 is a bottom plan view thereof;  
FIG. 4 is a top plan view thereof;  
FIG. 5 is a rear elevational view thereof;  
FIG. 6 is a left side elevational view thereof; and,  
FIG. 7 is a right side elevational view thereof.

**1 Claim, 4 Drawing Sheets**



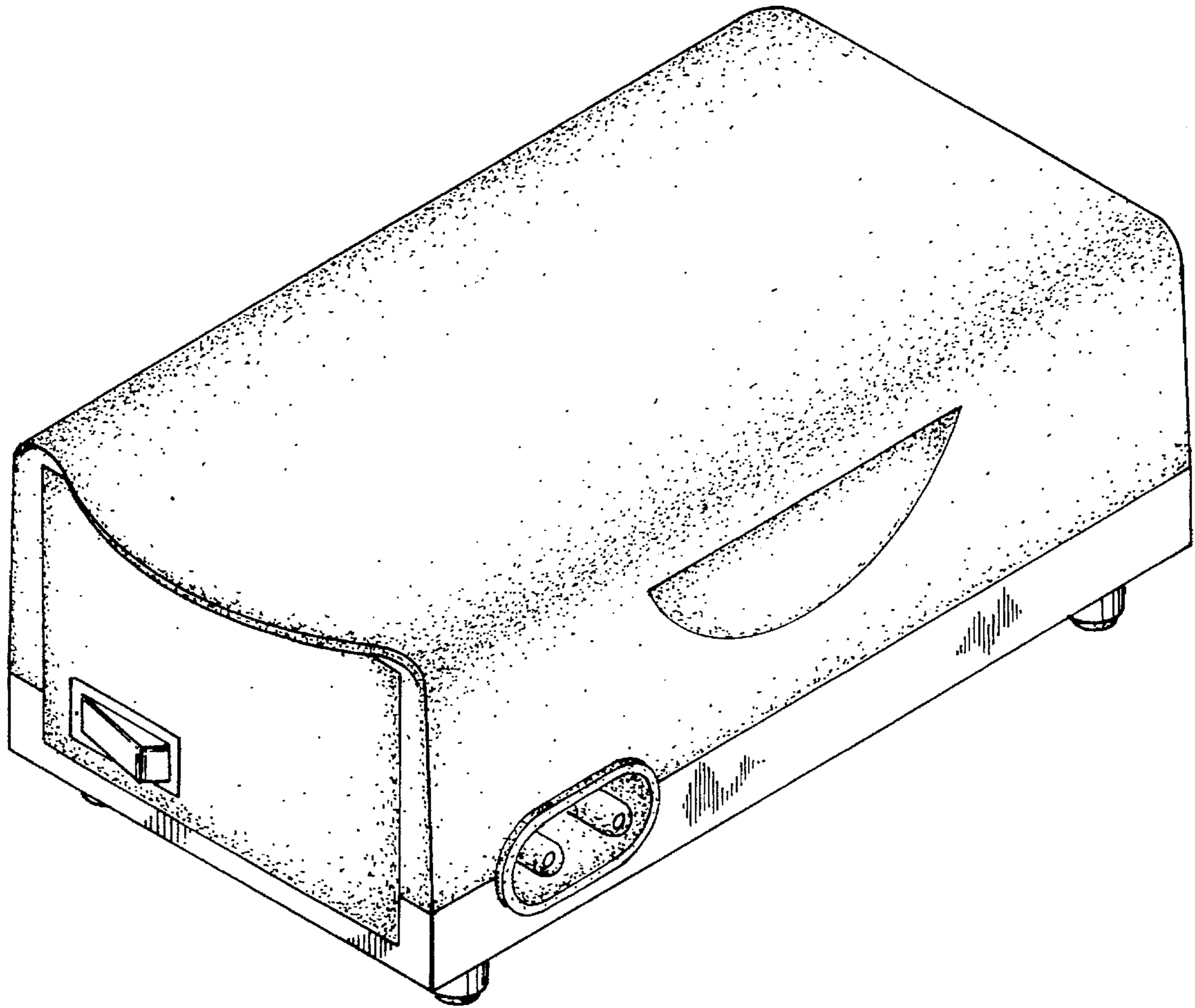


Fig. 1

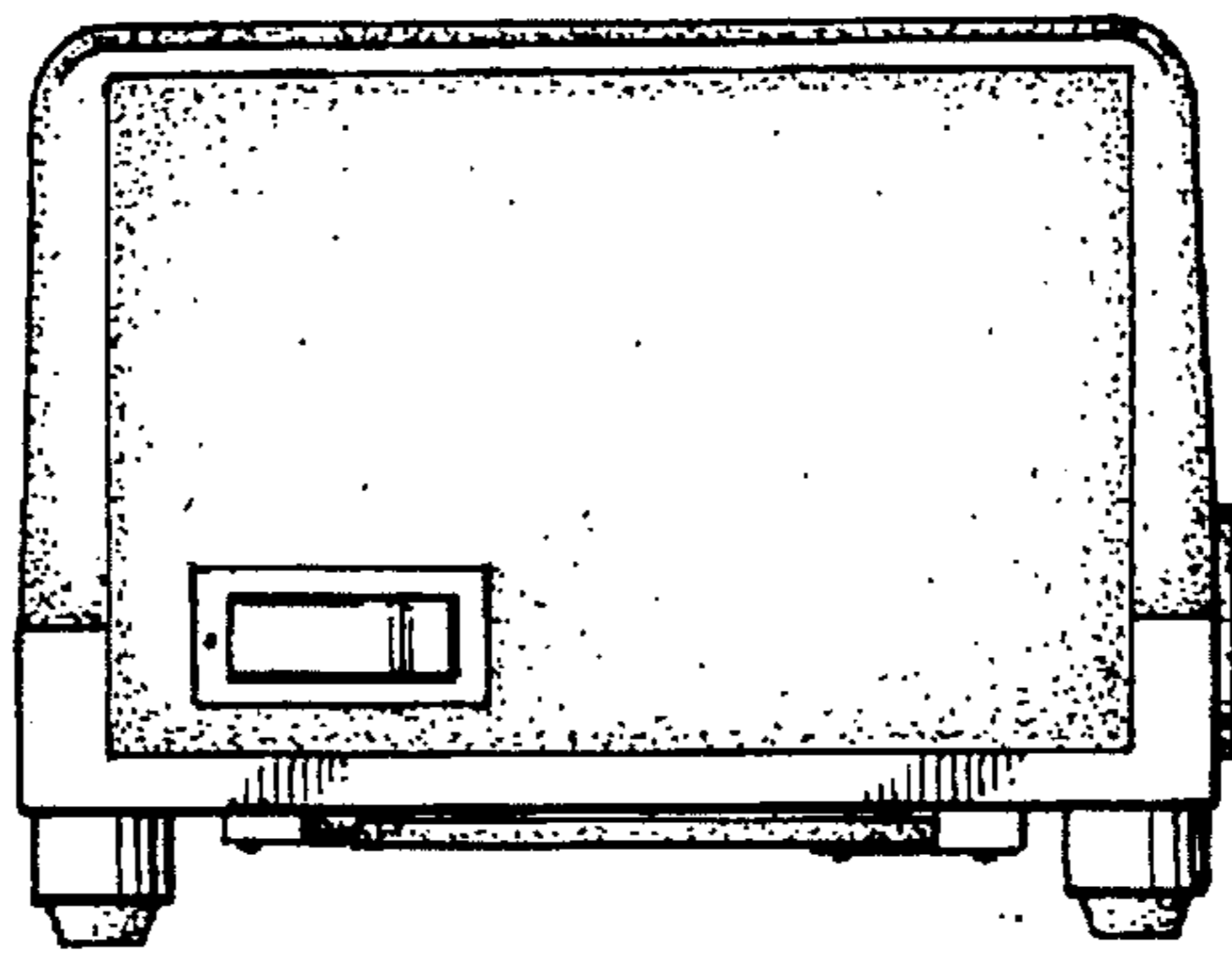


Fig. 2

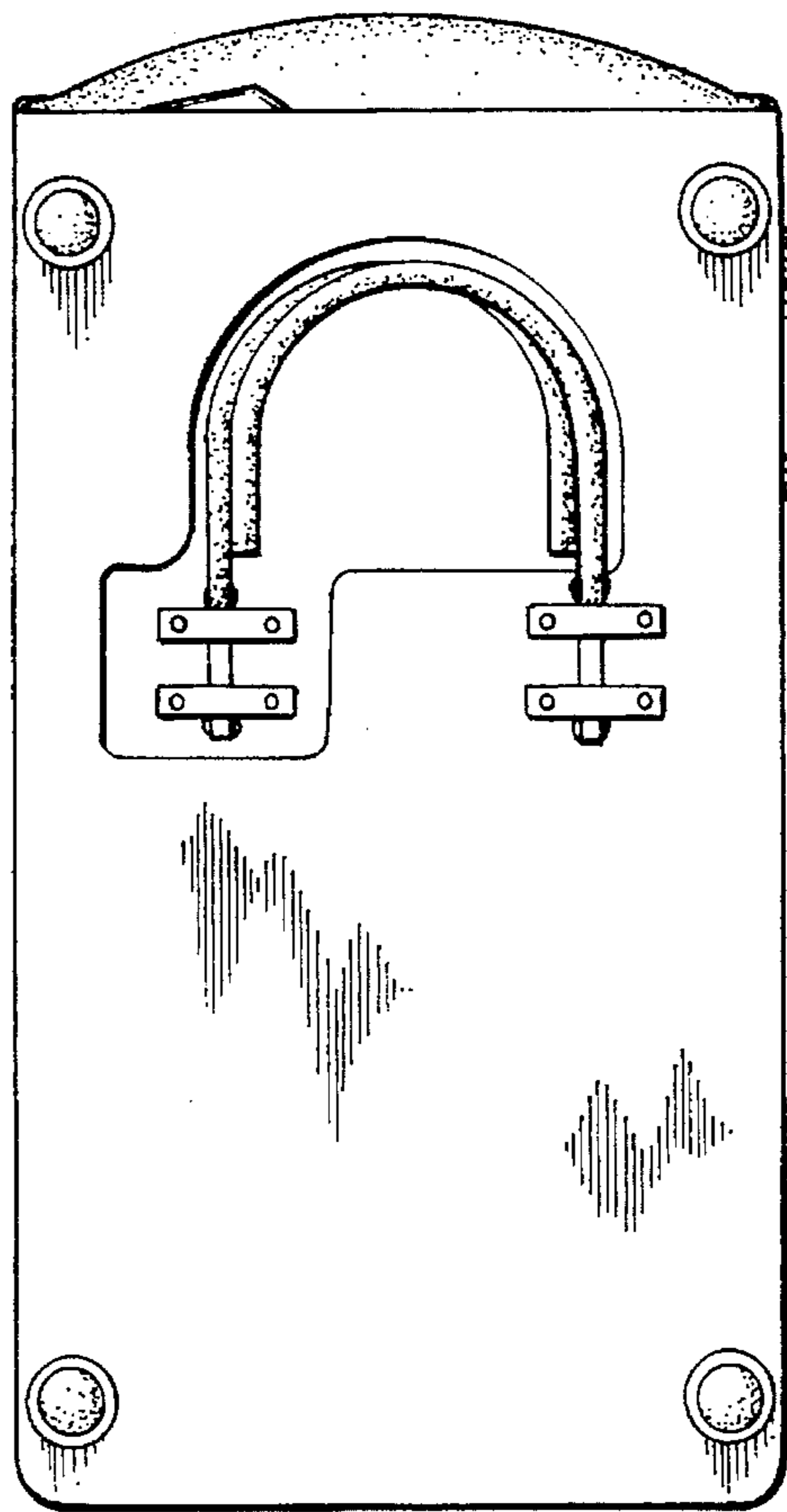


Fig. 3

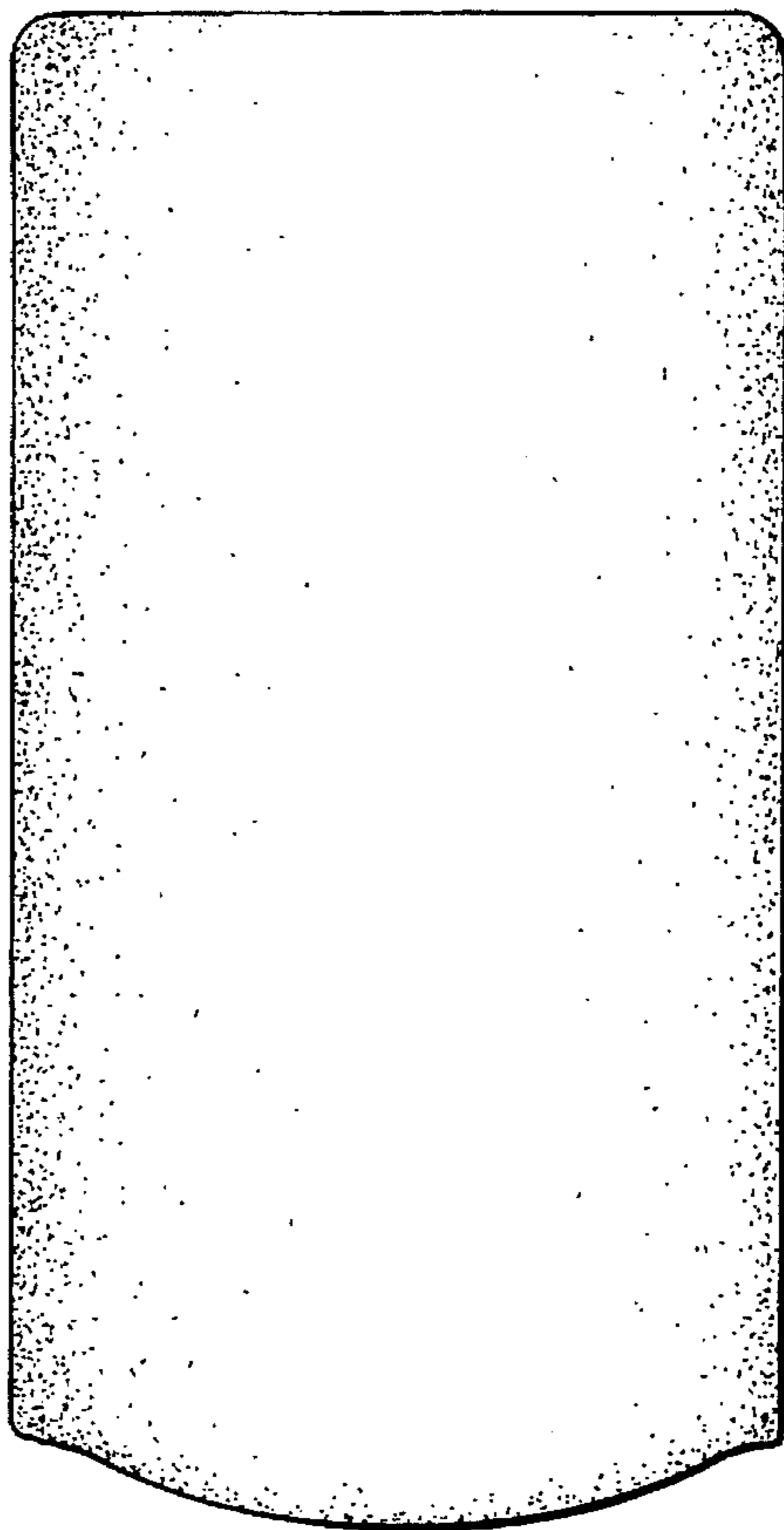


Fig. 4

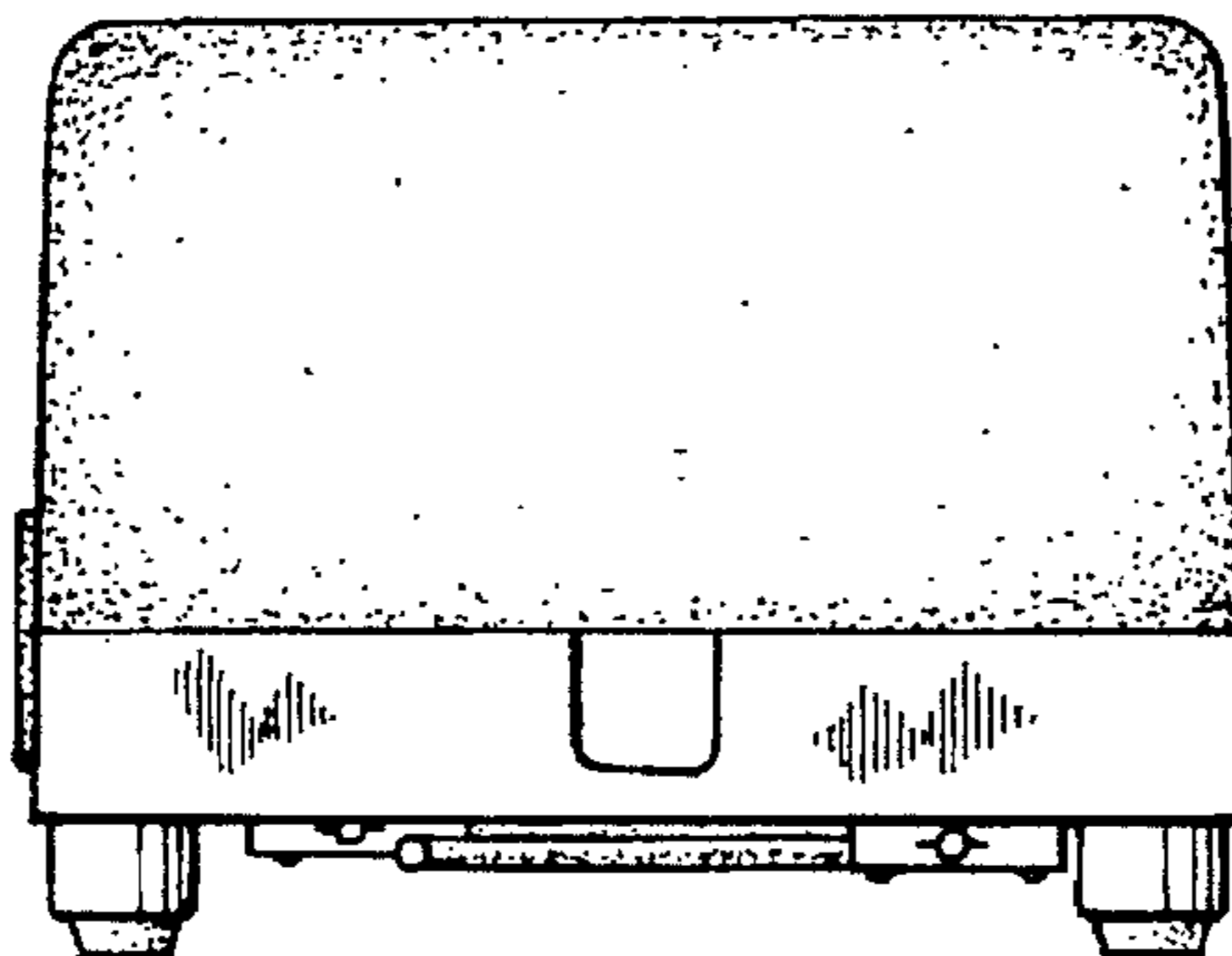


Fig. 5

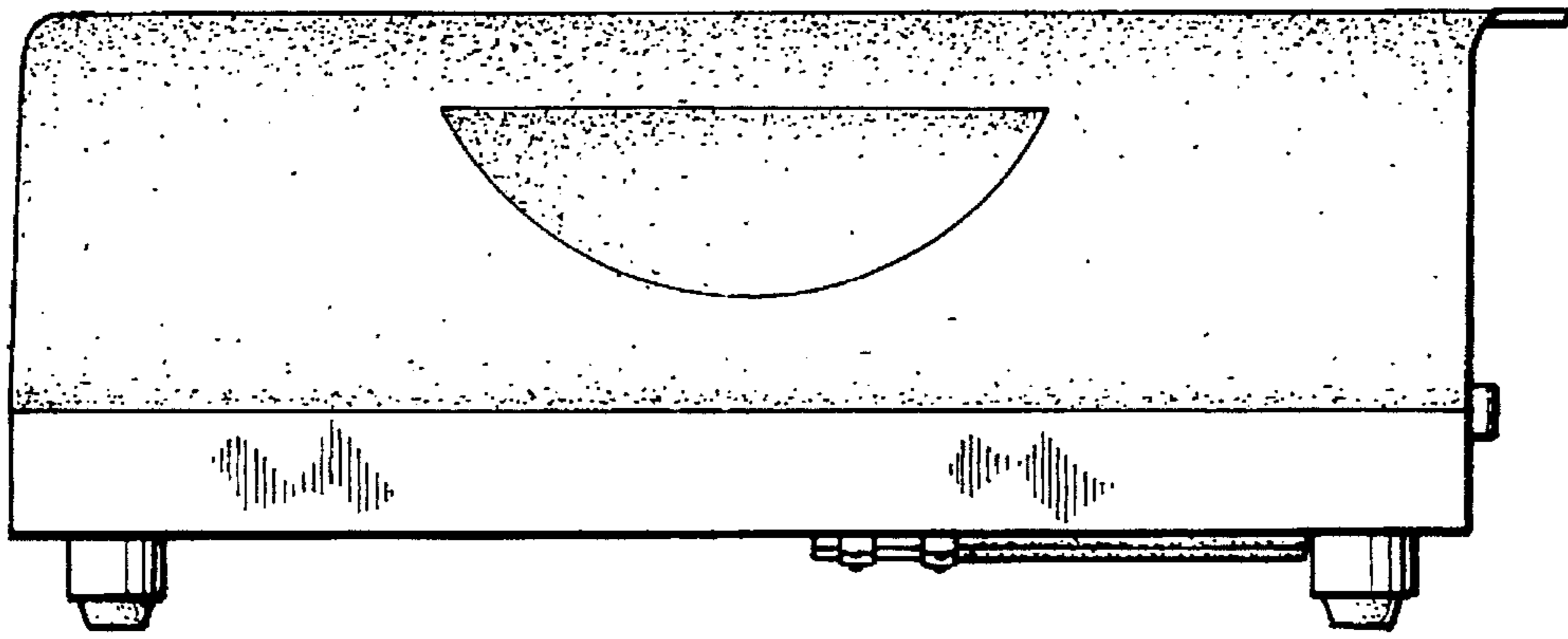


Fig. 6

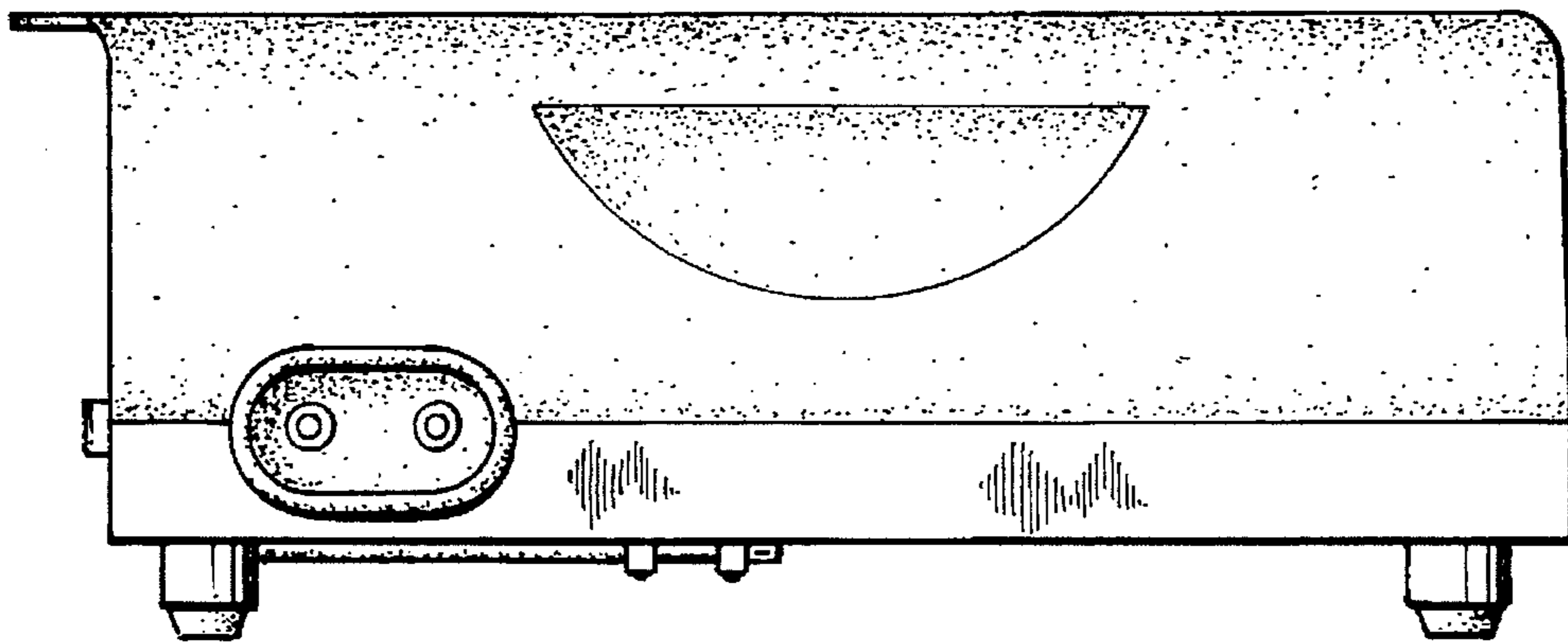


Fig. 7