



US00D374073S

United States Patent [19]

[11] Patent Number: **Des. 374,073**

Coble

[45] Date of Patent: ****Sep. 24, 1996**

[54] **CAST REFRACTORY SIDE SEGMENT OF AN ANNEALING FURNACE BASE**

FOREIGN PATENT DOCUMENTS

1131246 12/1956 Germany 266/262

[76] Inventor: **Gary L. Coble, R.D., #2, Box 214, DuBois, Pa. 15801**

Primary Examiner—Lisa P. Lichtenstein
Attorney, Agent, or Firm—David A. Burge, Esq.

[**] Term: **14 Years**

[57] CLAIM

[21] Appl. No.: **32,591**

The ornamental design for a cast refractory side segment of an annealing furnace base, as shown and described.

[22] Filed: **Dec. 21, 1994**

DESCRIPTION

[52] U.S. Cl. **D23/386; D23/329**

[58] Field of Search D23/386, 329;
D25/113, 199, 116, 154; 266/280, 286,
282; 432/254.2, 258

FIG. 1 is a perspective view of one form of a cast refractory side segment of an annealing furnace base embodying my design, with the view showing principally top, front and left portions thereof;

FIG. 2 is a perspective view thereof showing principally bottom, rear and right portions thereof;

FIG. 3 is a rear elevational view thereof;

FIG. 4 is a top plan view thereof;

FIG. 5 is a front elevational view thereof;

FIG. 6 is a left elevational view thereof;

FIG. 7 is a right elevational view thereof;

FIG. 8 is a perspective view of a cast refractory side segment of an annealing furnace base showing a second embodiment of my new design, with the view showing principally top, front and left portions thereof;

FIG. 9 is a perspective view of FIG. 8 showing principally bottom, rear and right portions thereof;

FIG. 10 is a rear elevational view of FIG. 8;

FIG. 11 is a top plan view of FIG. 8;

FIG. 12 is a front elevational view of FIG. 8;

FIG. 13 is a left elevational view of FIG. 8; and,

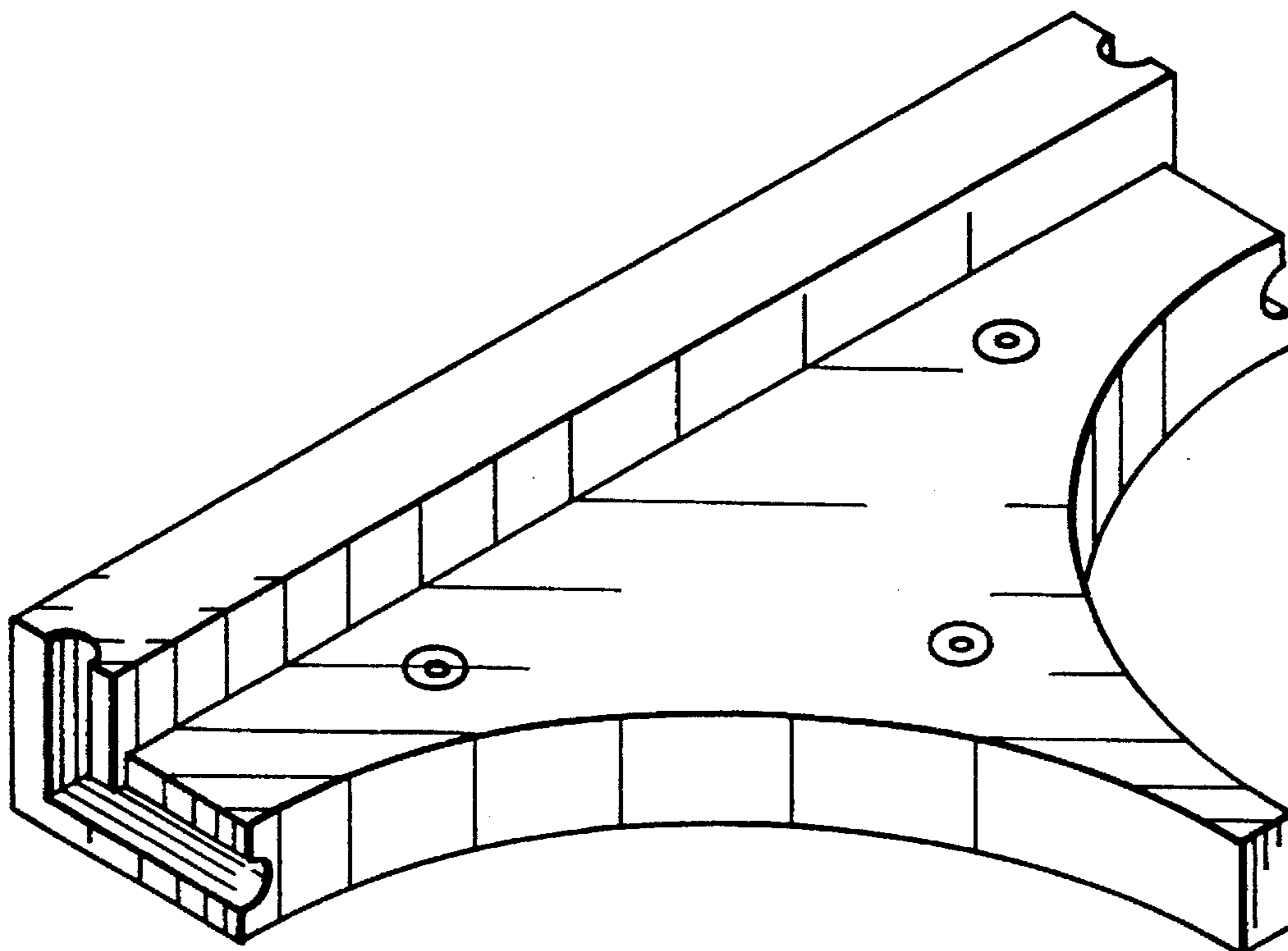
FIG. 14 is a right elevational view of FIG. 8.

[56] References Cited

U.S. PATENT DOCUMENTS

D. 344,350	2/1994	De Pascale et al.	52/596
1,829,320	10/1931	White .	
2,998,236	8/1961	Cramer	263/40
3,039,754	6/1962	Jones	263/47
3,081,074	3/1963	Blackman et al.	263/47
3,149,827	9/1964	Whitten	263/47
3,693,955	9/1972	Wald et al.	266/5
4,011,683	3/1977	De Sousa	46/25
4,294,438	10/1981	Nystrom et al.	266/280
4,516,758	5/1985	Coble	266/263
4,611,791	9/1986	Coble	266/263
4,647,022	3/1987	Coble	266/282
4,653,171	3/1987	Coble	29/455
4,755,236	7/1988	Coble	148/13
5,048,802	9/1991	Coble	266/263
5,308,046	5/1994	Coble	266/263
5,335,897	8/1994	Coble	266/286

1 Claim, 3 Drawing Sheets



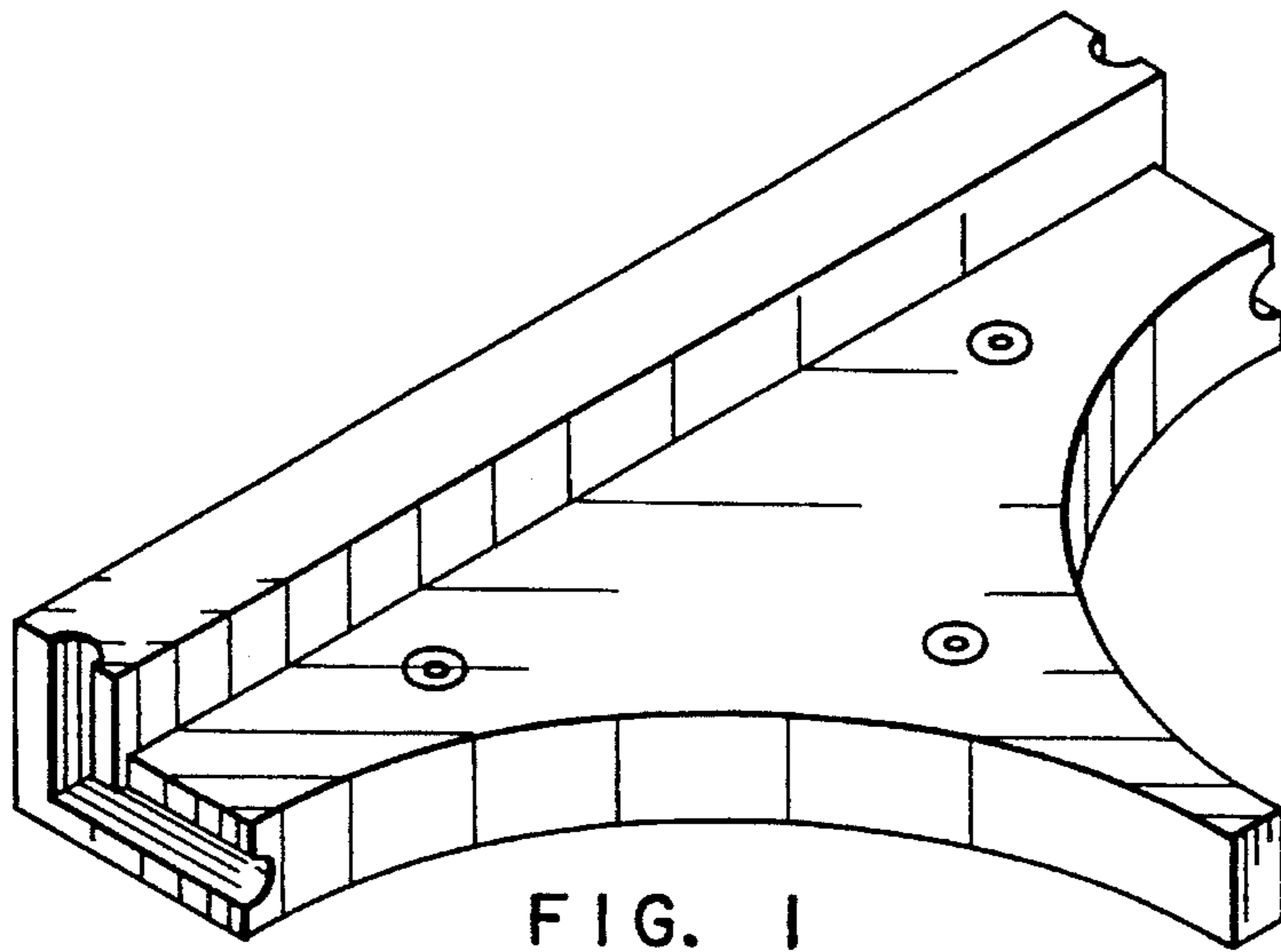


FIG. 1

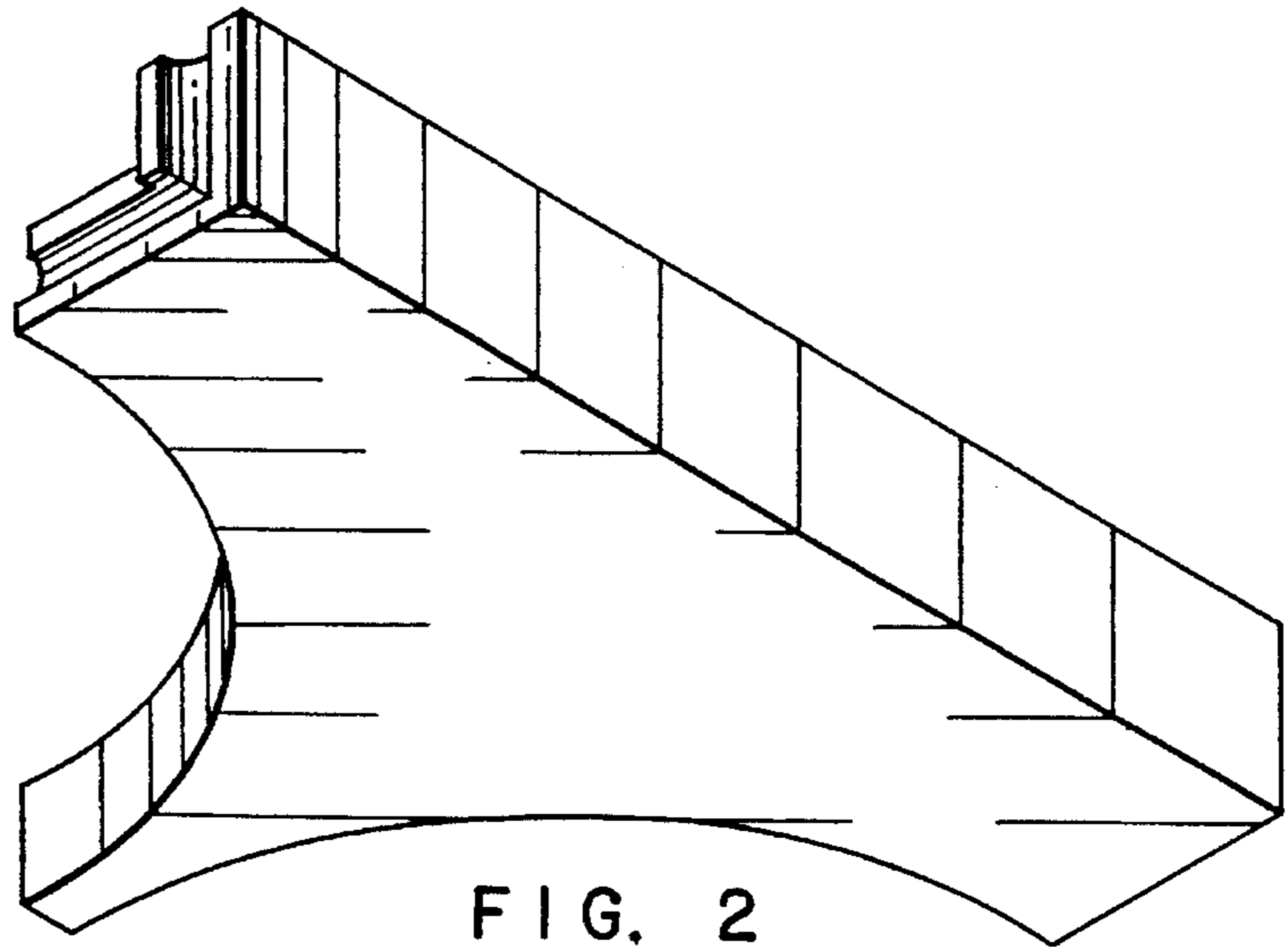


FIG. 2



FIG. 3

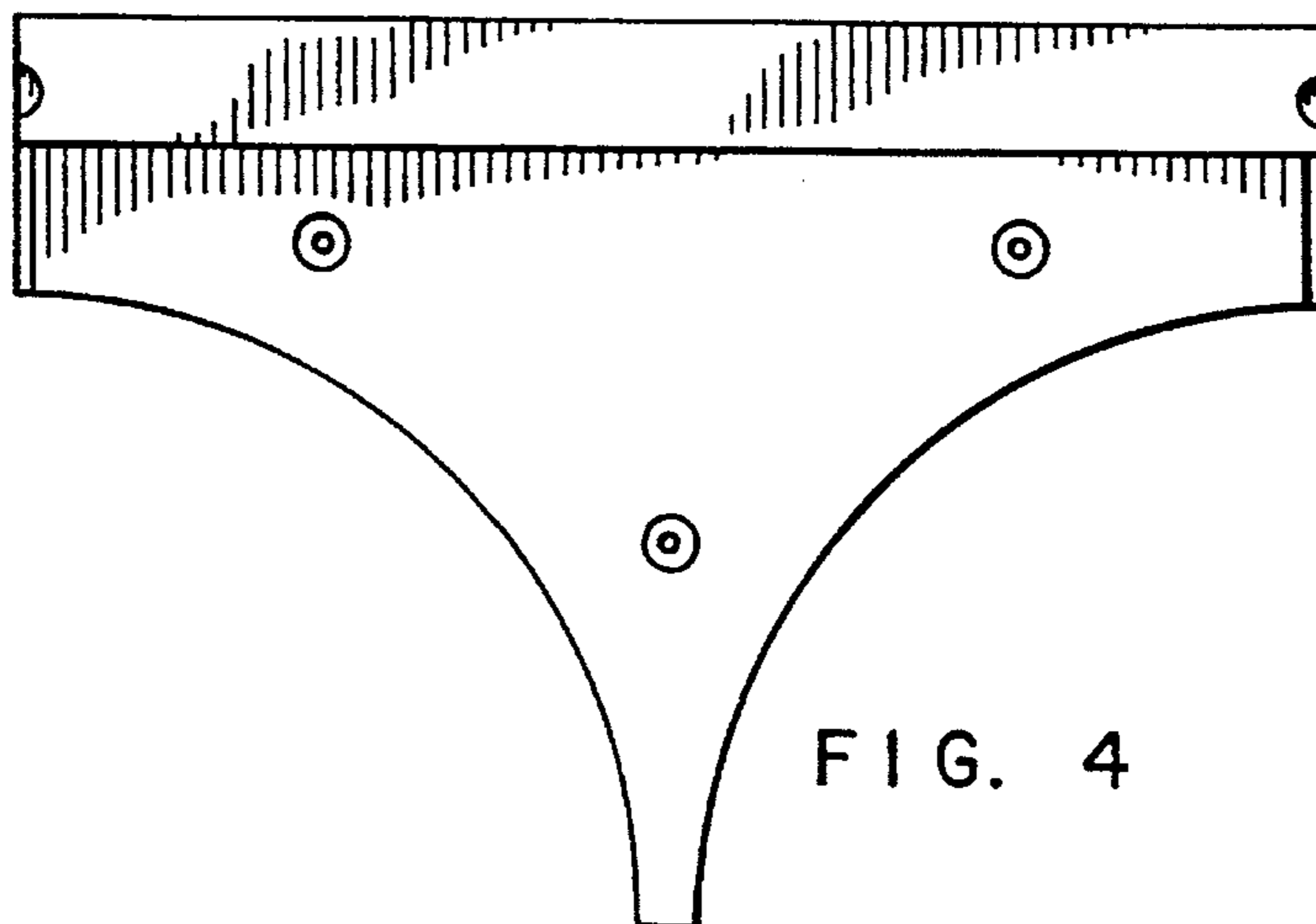


FIG. 4

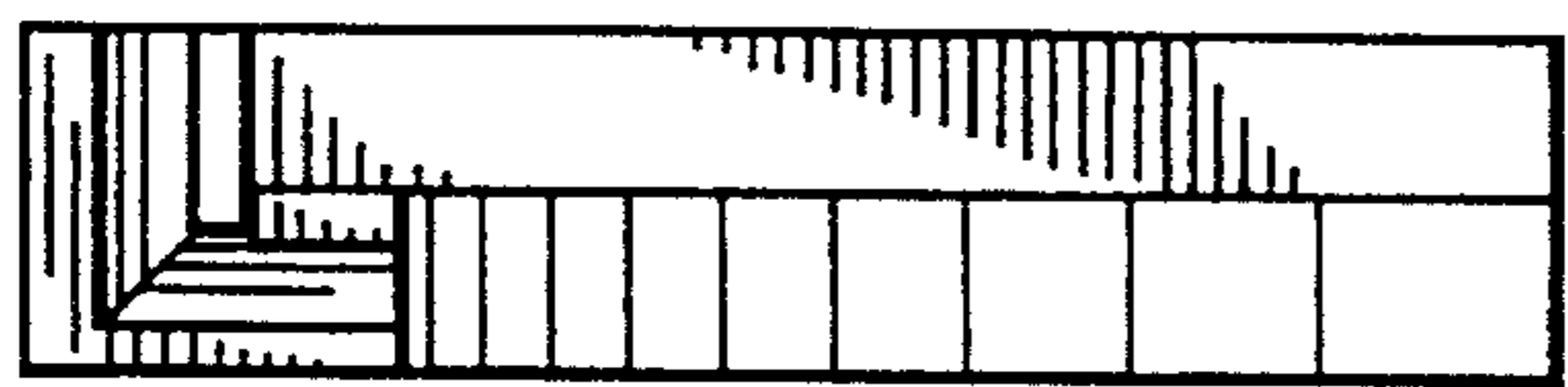


FIG. 6

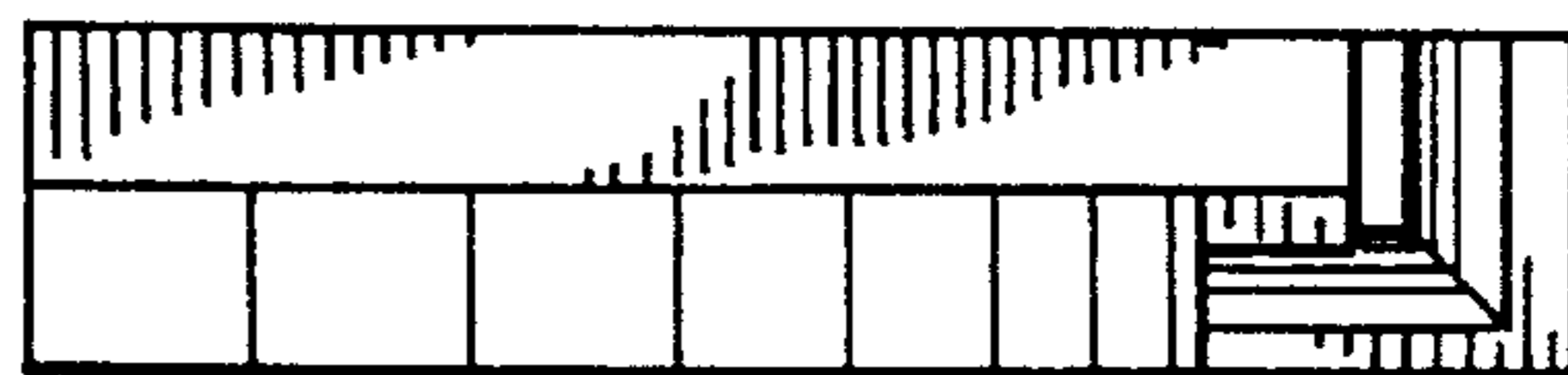


FIG. 7



FIG. 5

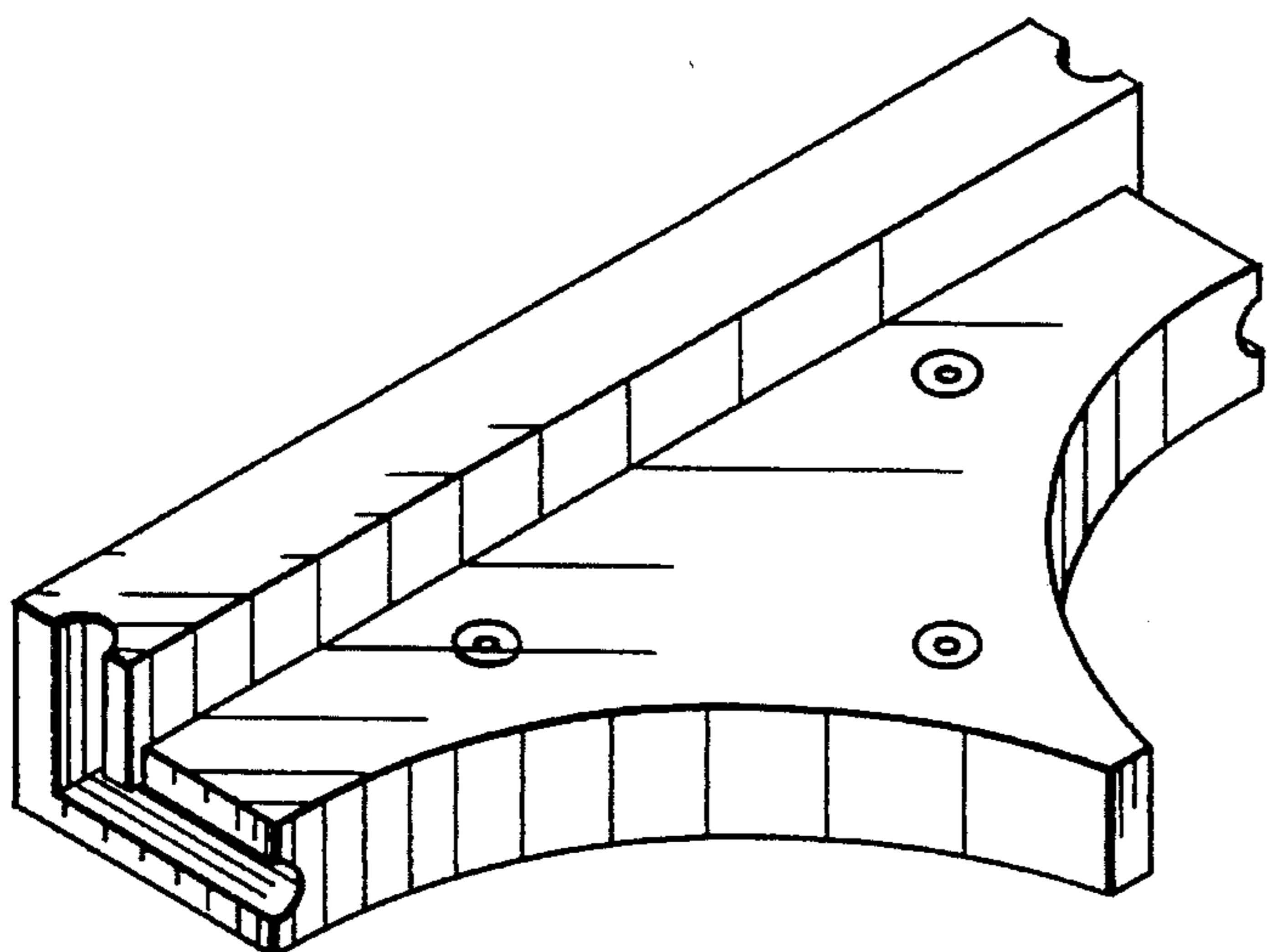


FIG. 8

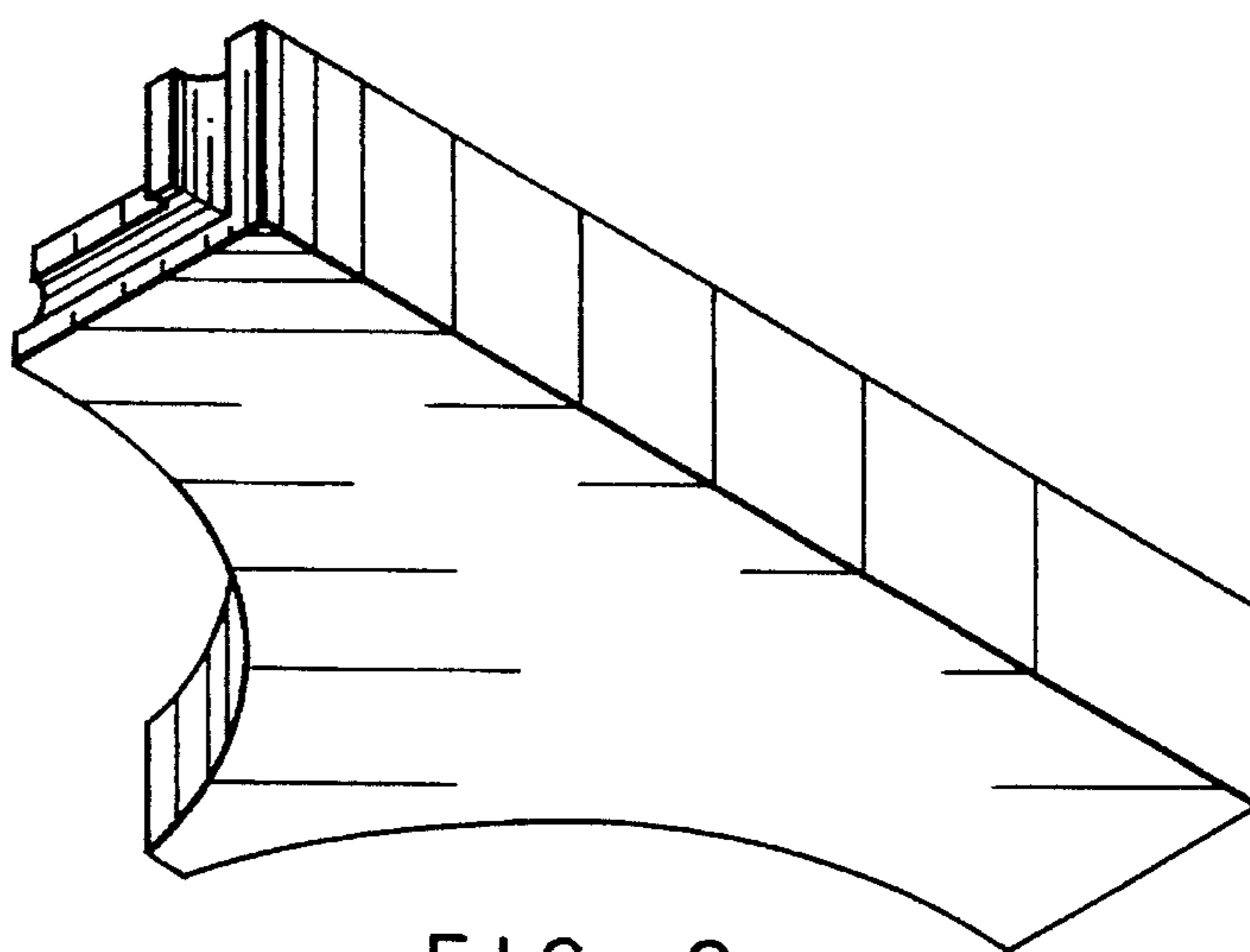


FIG. 9

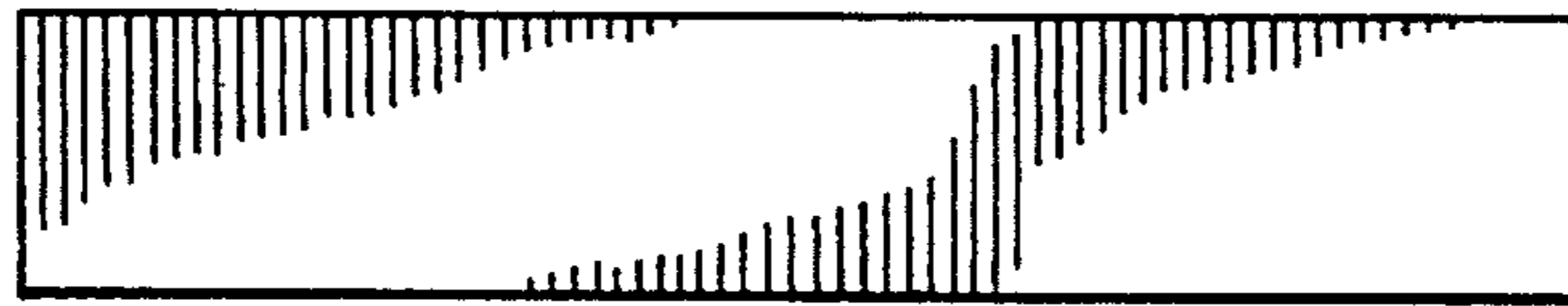


FIG. 10

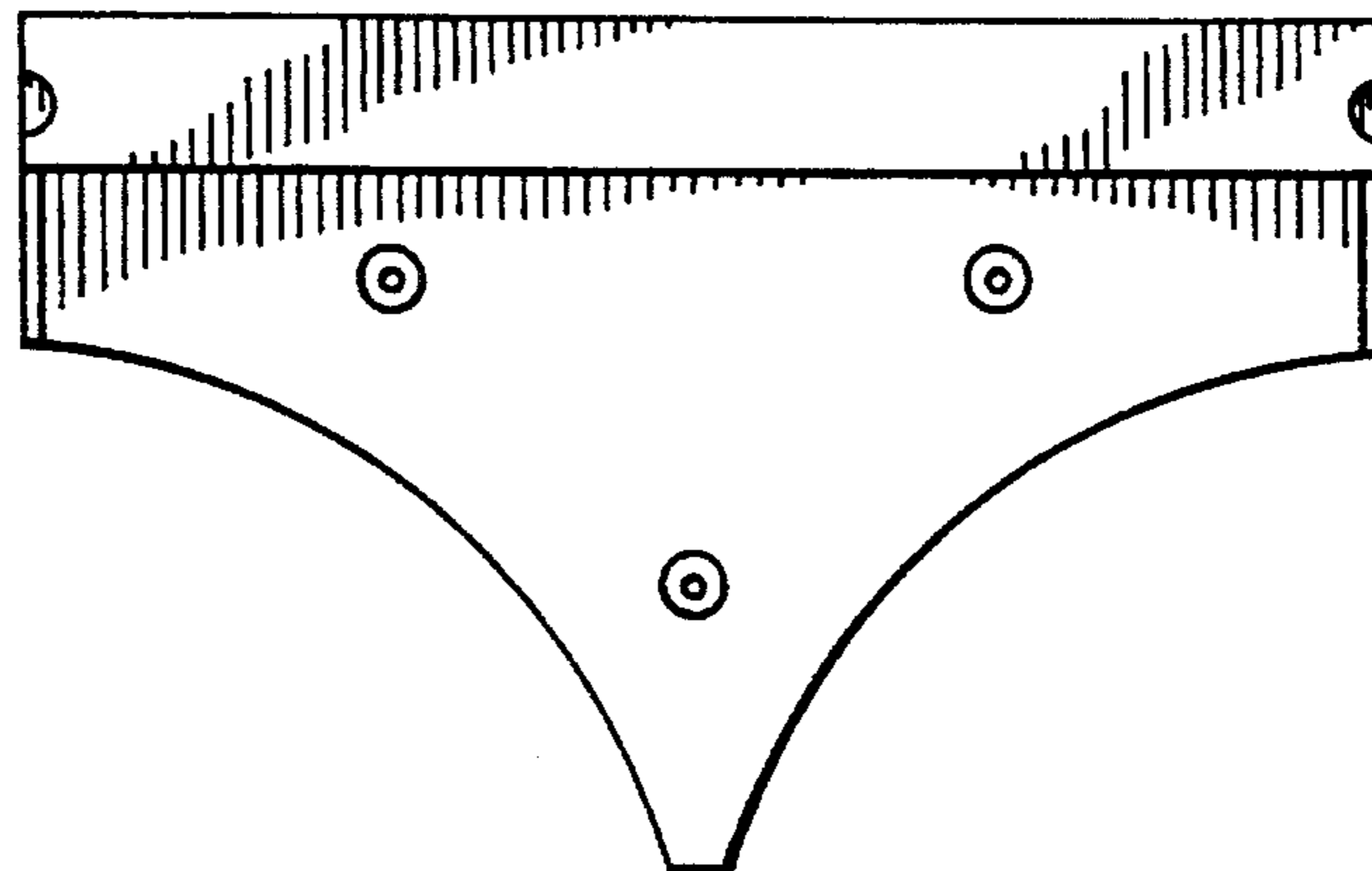


FIG. 11

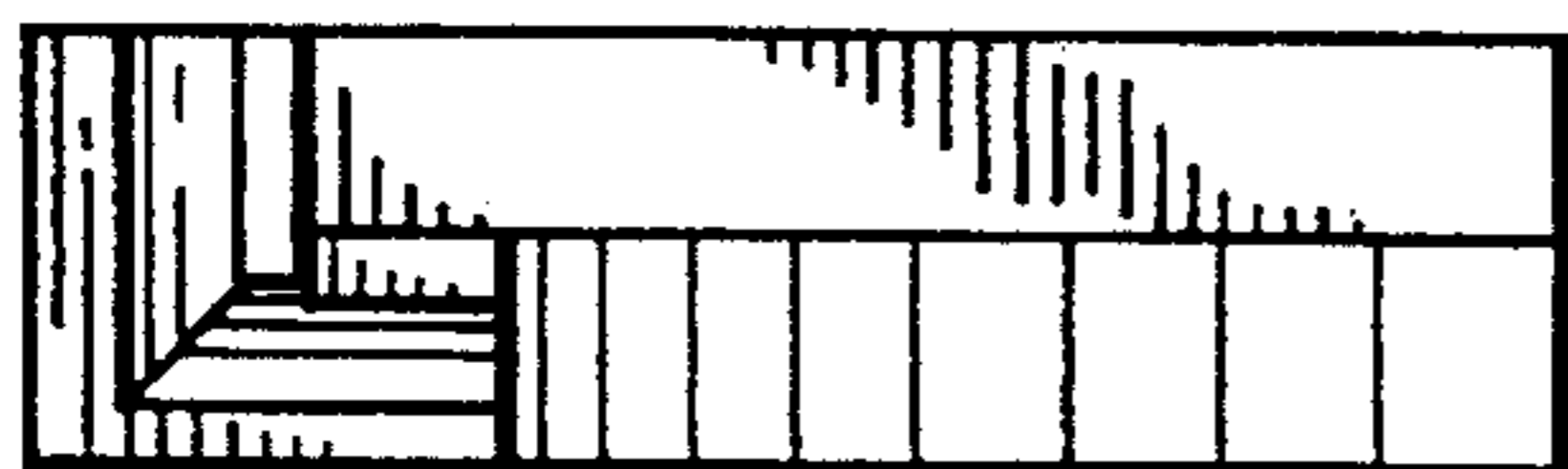


FIG. 13

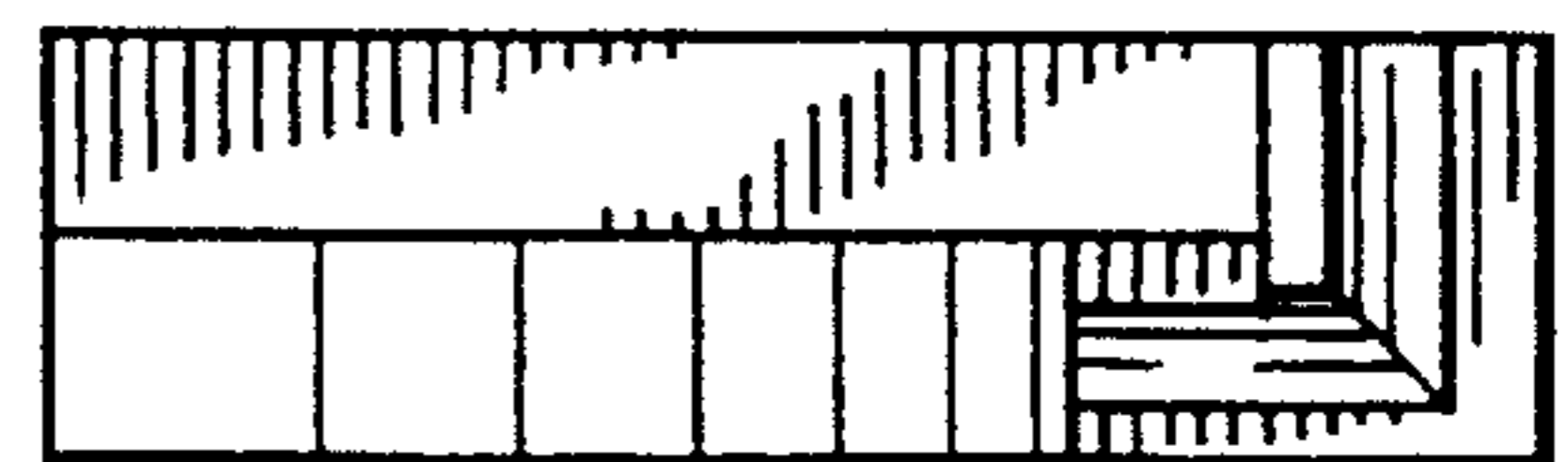


FIG. 14



FIG. 12