



US00D374071S

United States Patent [19]

[11] Patent Number: **Des. 374,071**

Wang et al.

[45] Date of Patent: ****Sep. 24, 1996**

[54] **PORTABLE ELECTRIC FAN WITH A SWIVEL MOUNT**

D. 353,660 12/1994 Cuning D23/328
D. 355,247 2/1995 Shao D23/382

[75] Inventors: **Jui-Shang Wang**, Taipei, Taiwan;
Rodney Jané, Westboro; **John Longan**,
Natick, both of Mass.; **Stanley**
Gresens, Homewood, Ill.; **Gregory**
Holderfield, Oak Park, Ill.; **Steven**
Valentor, Wesmont, Ill.

Primary Examiner—Lisa P. Lichtenstein
Attorney, Agent, or Firm—John E. Toupal; Harold G. Jarcho

[73] Assignee: **Duracraft Corporation**, Southborough,
Mass.

[57] CLAIM

[**] Term: **14 Years**

The ornamental design for a portable electric fan with a swivel mount, as shown and described.

[21] Appl. No.: **37,280**

DESCRIPTION

[22] Filed: **Apr. 10, 1995**

[52] U.S. Cl. **D23/382**; D23/332; D23/381

[58] Field of Search D23/332, 336,
D23/370, 381, 382, 411, 412, 328; 416/246,
247 R

FIG. 1 is a front perspective view of a portable electric fan with a swivel mount;

FIG. 2 is a rear perspective view thereof;

FIG. 3 is a left side elevational view thereof, the right side being a mirror image of that shown;

FIG. 4 is a cross-sectional view of lines 4—4 of FIG. 3;

FIG. 5 is a top plan view thereof; and,

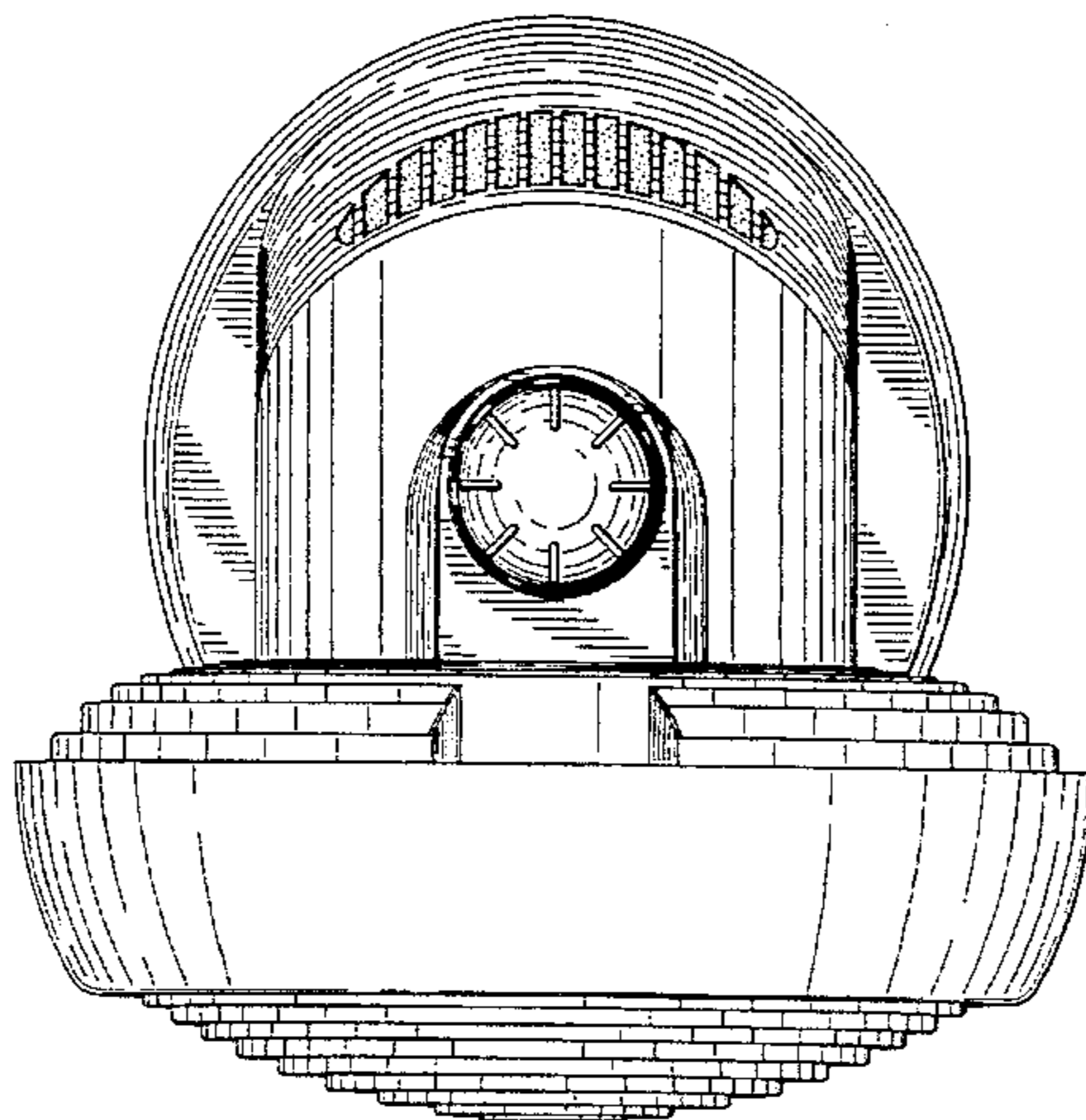
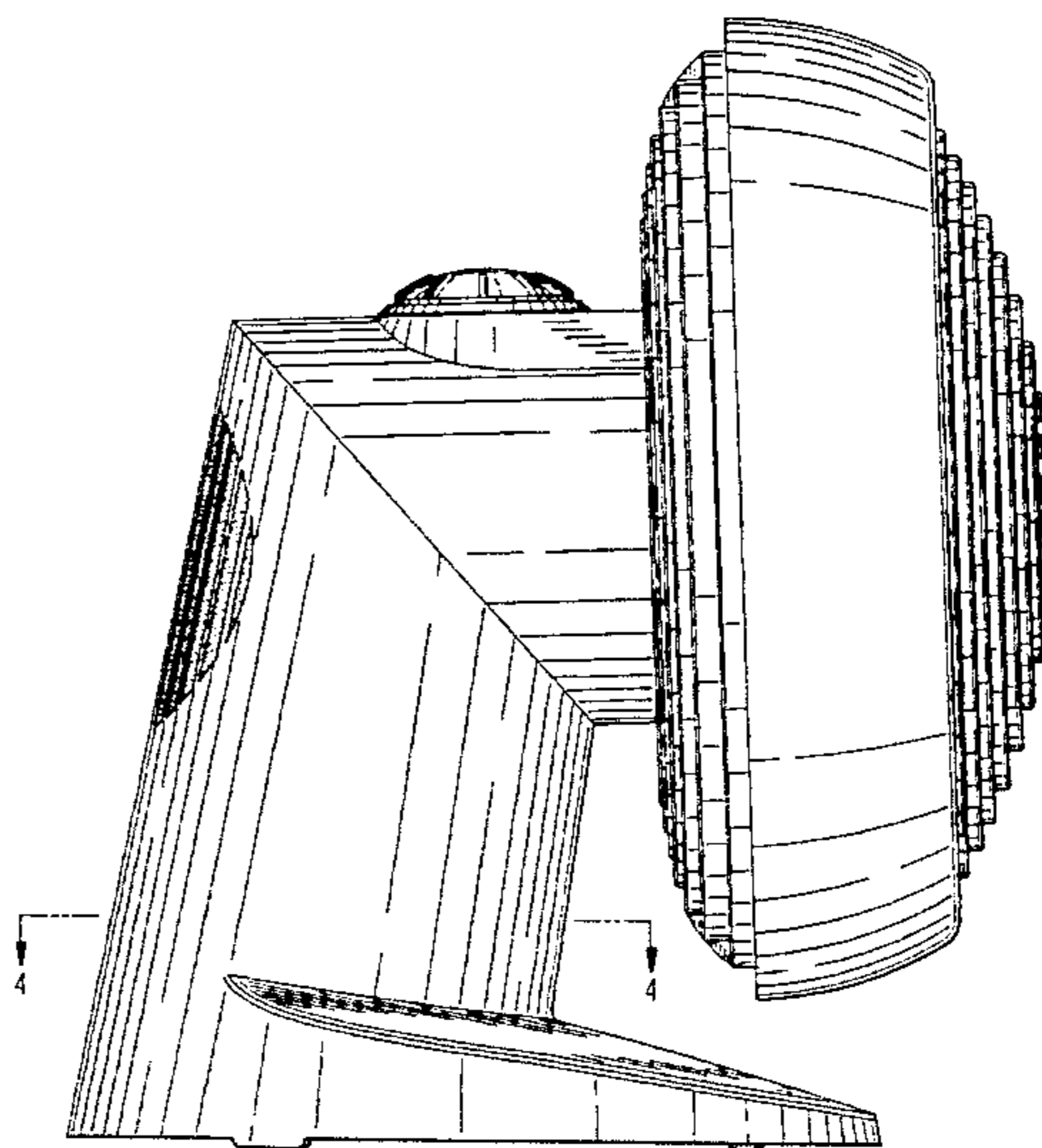
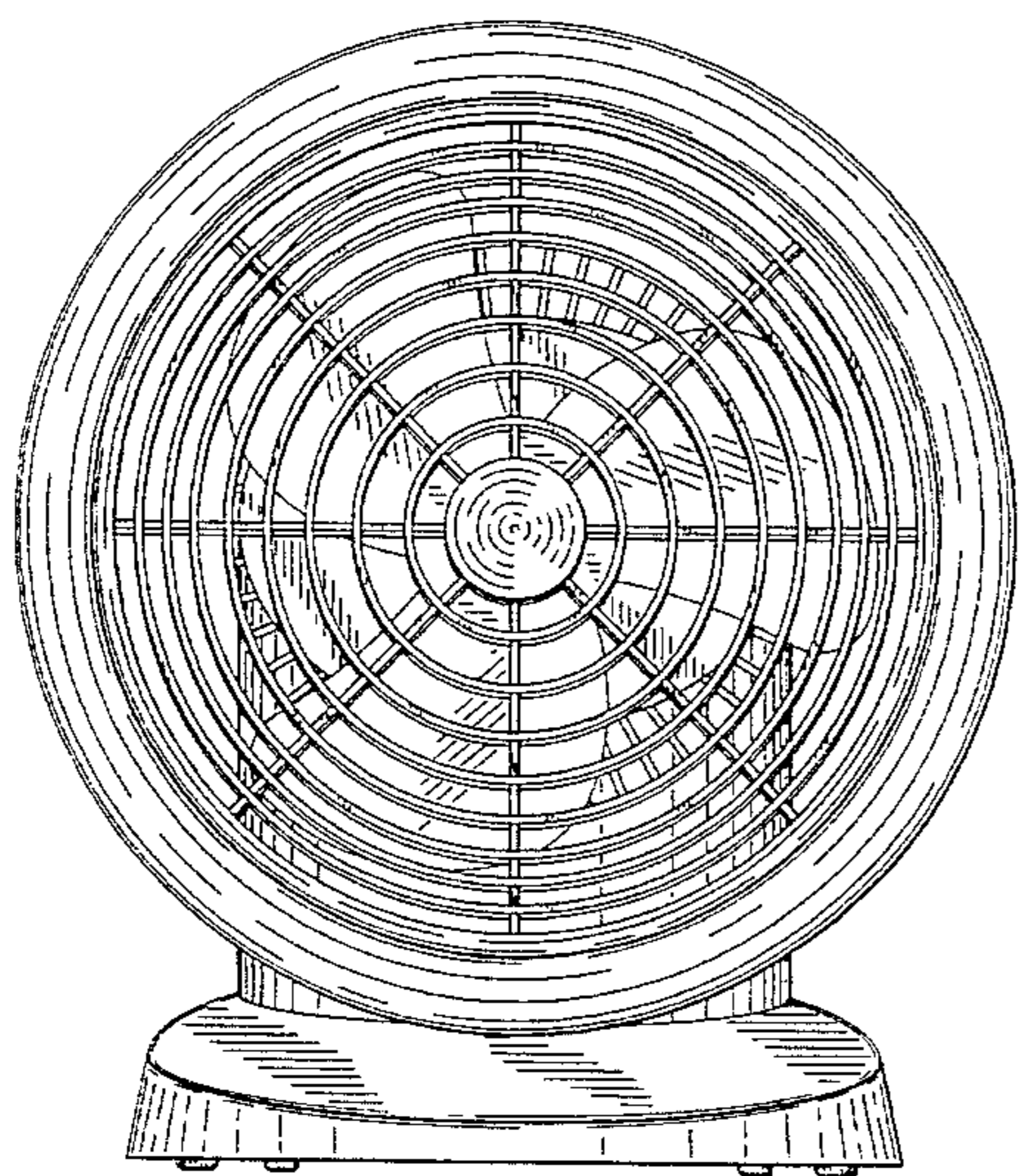
FIG. 6 is a bottom plan view thereof.

[56] References Cited

U.S. PATENT DOCUMENTS

D. 337,819 7/1993 Cuning D23/382

1 Claim, 6 Drawing Sheets



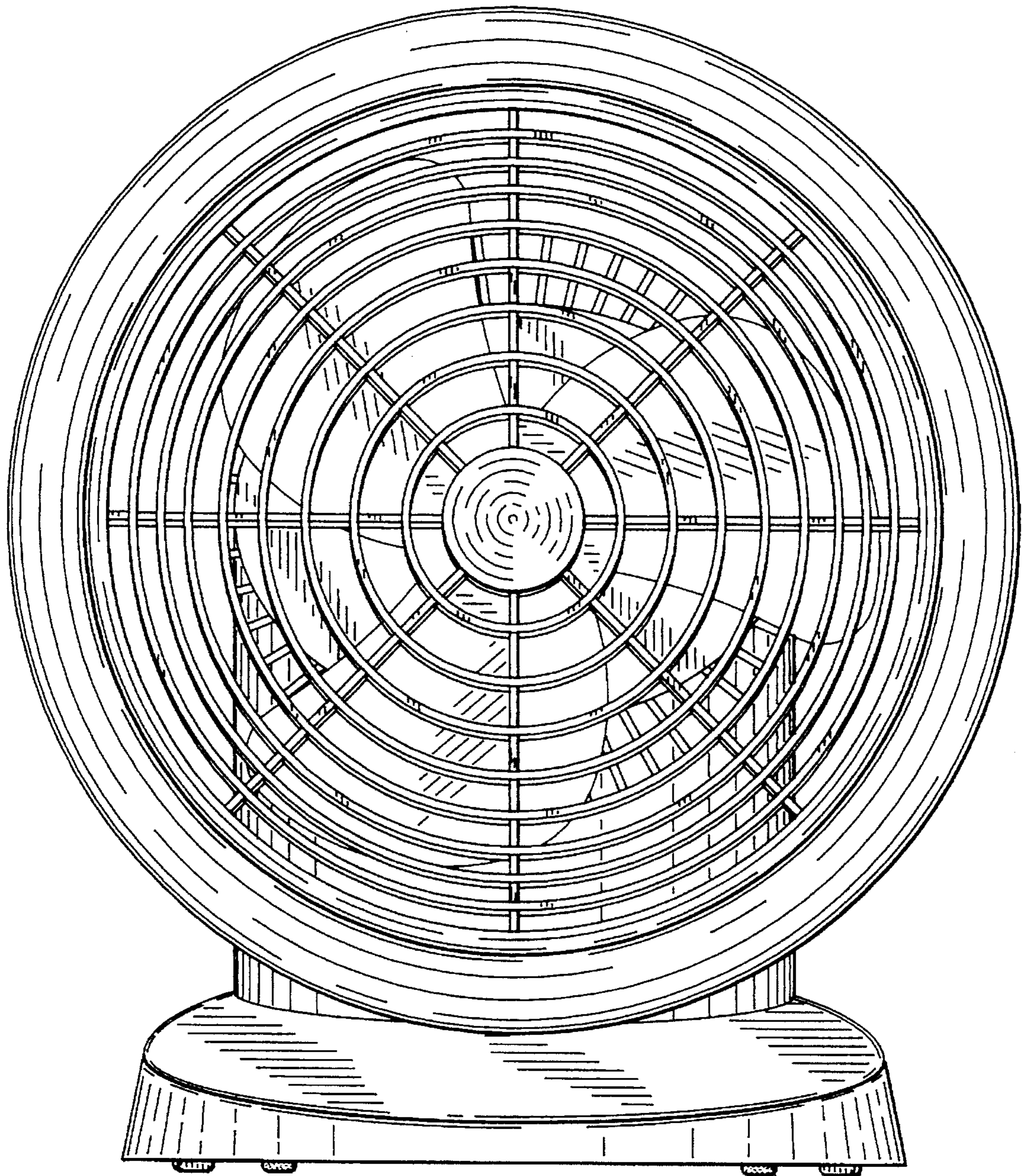


FIG. 1

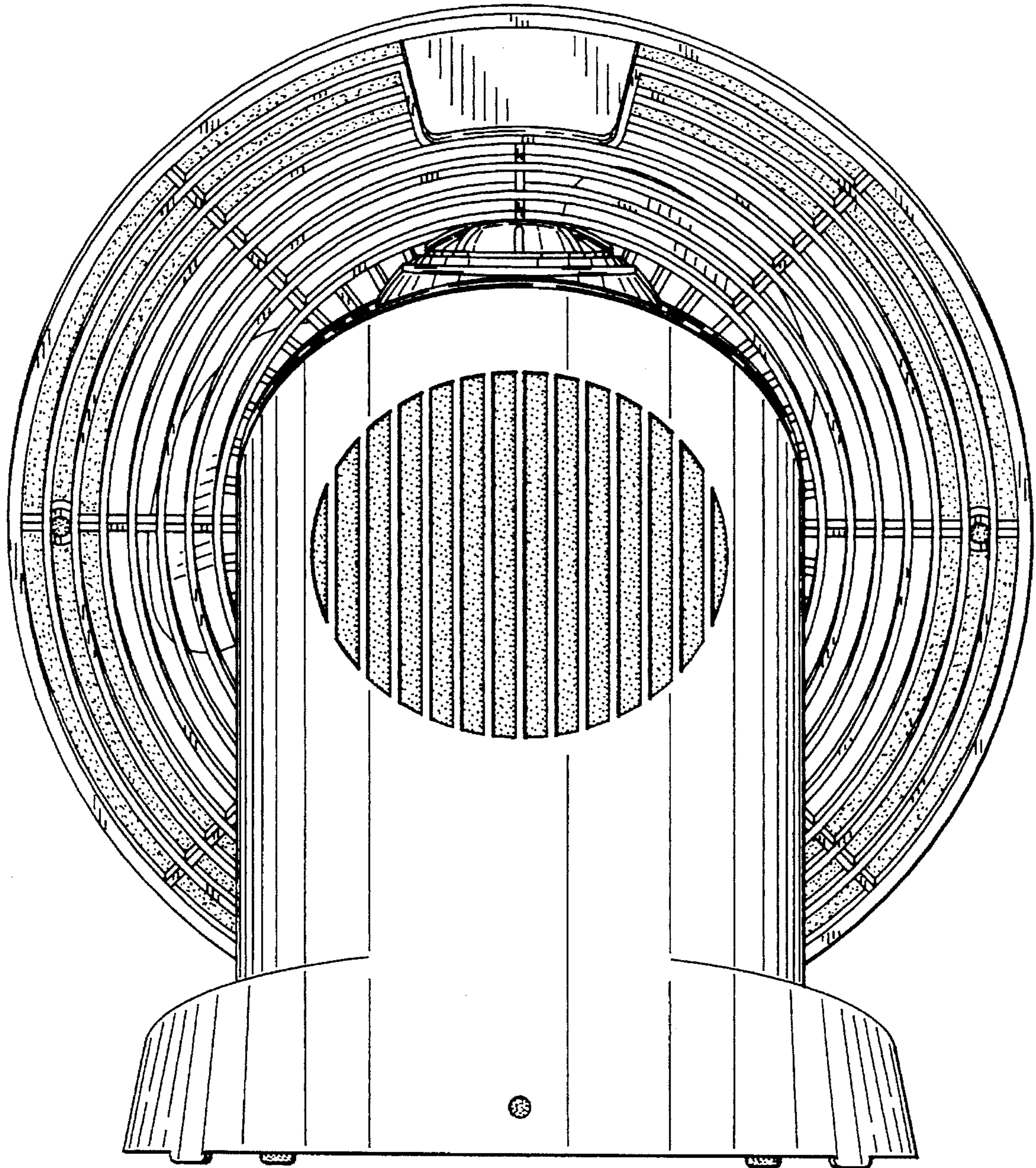


FIG. 2

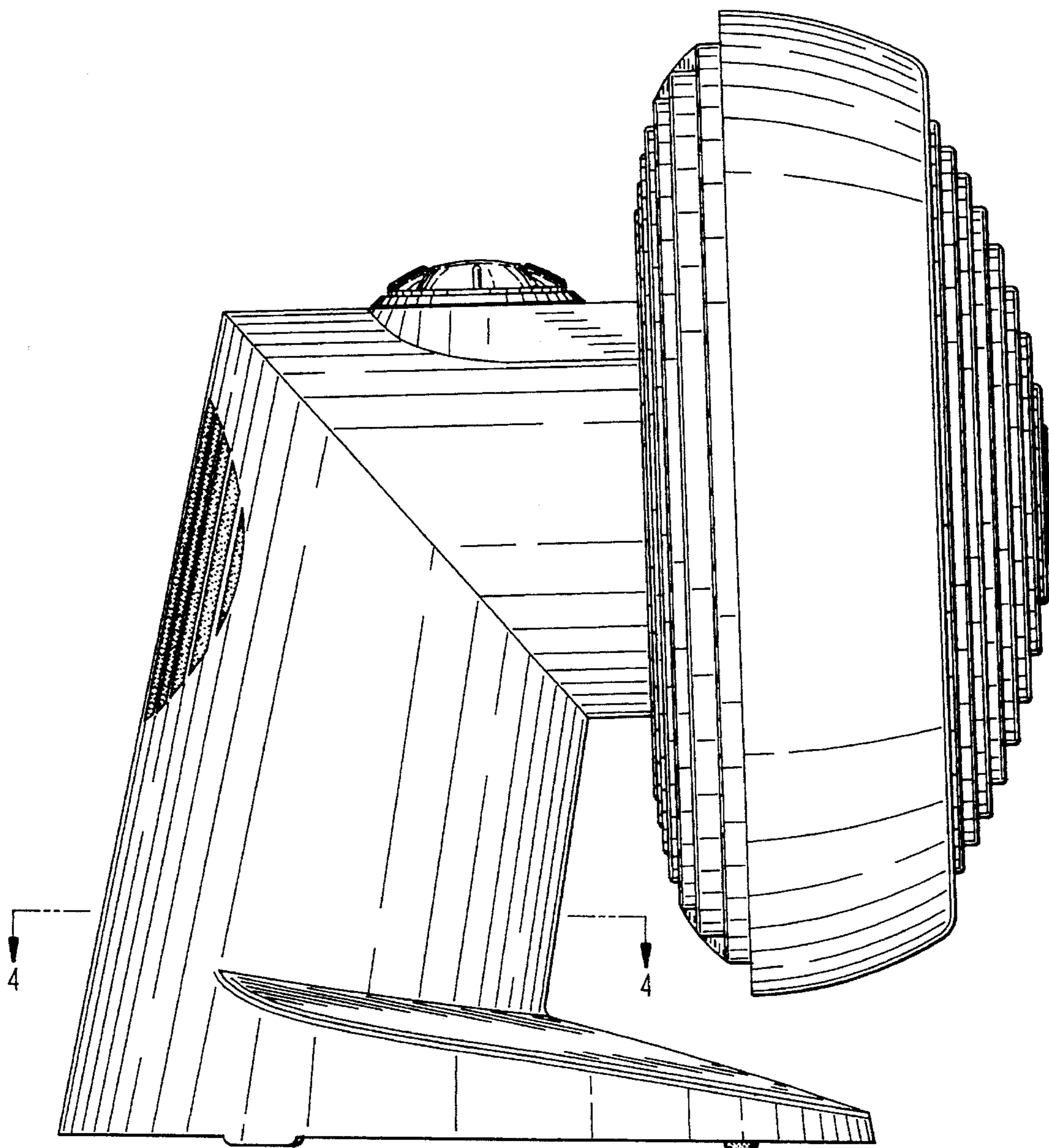


FIG. 3

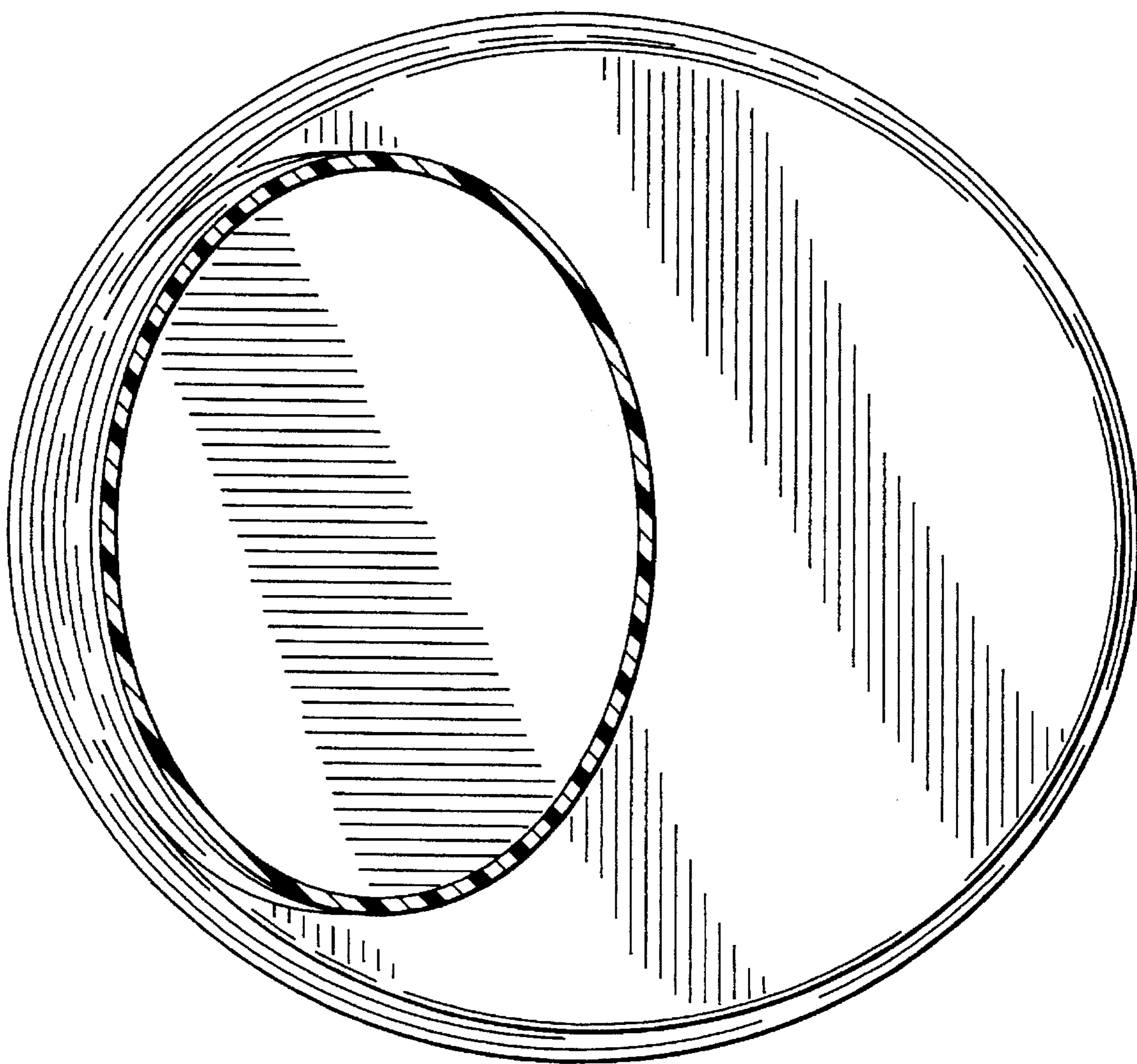


FIG. 4

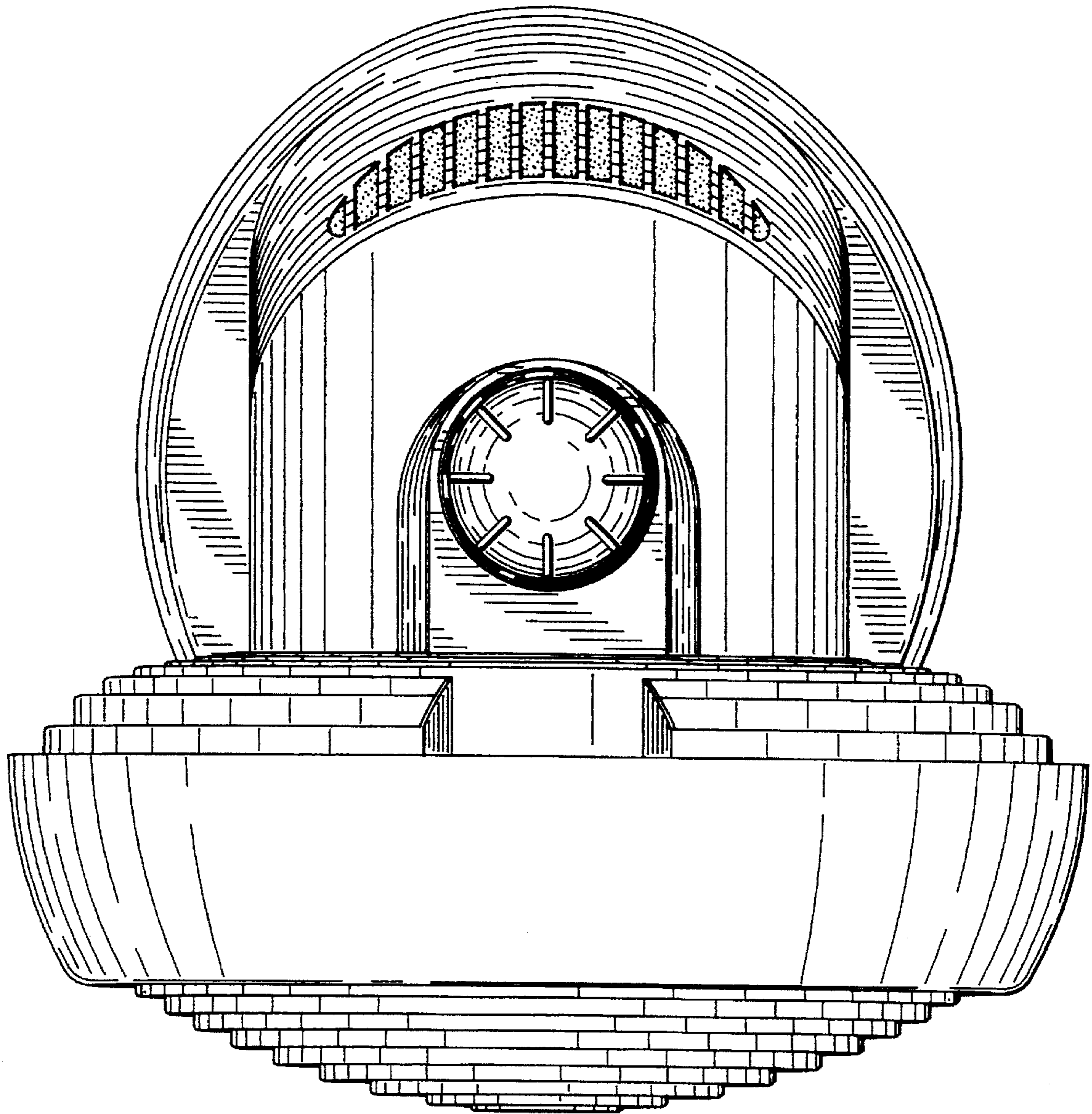


FIG. 5

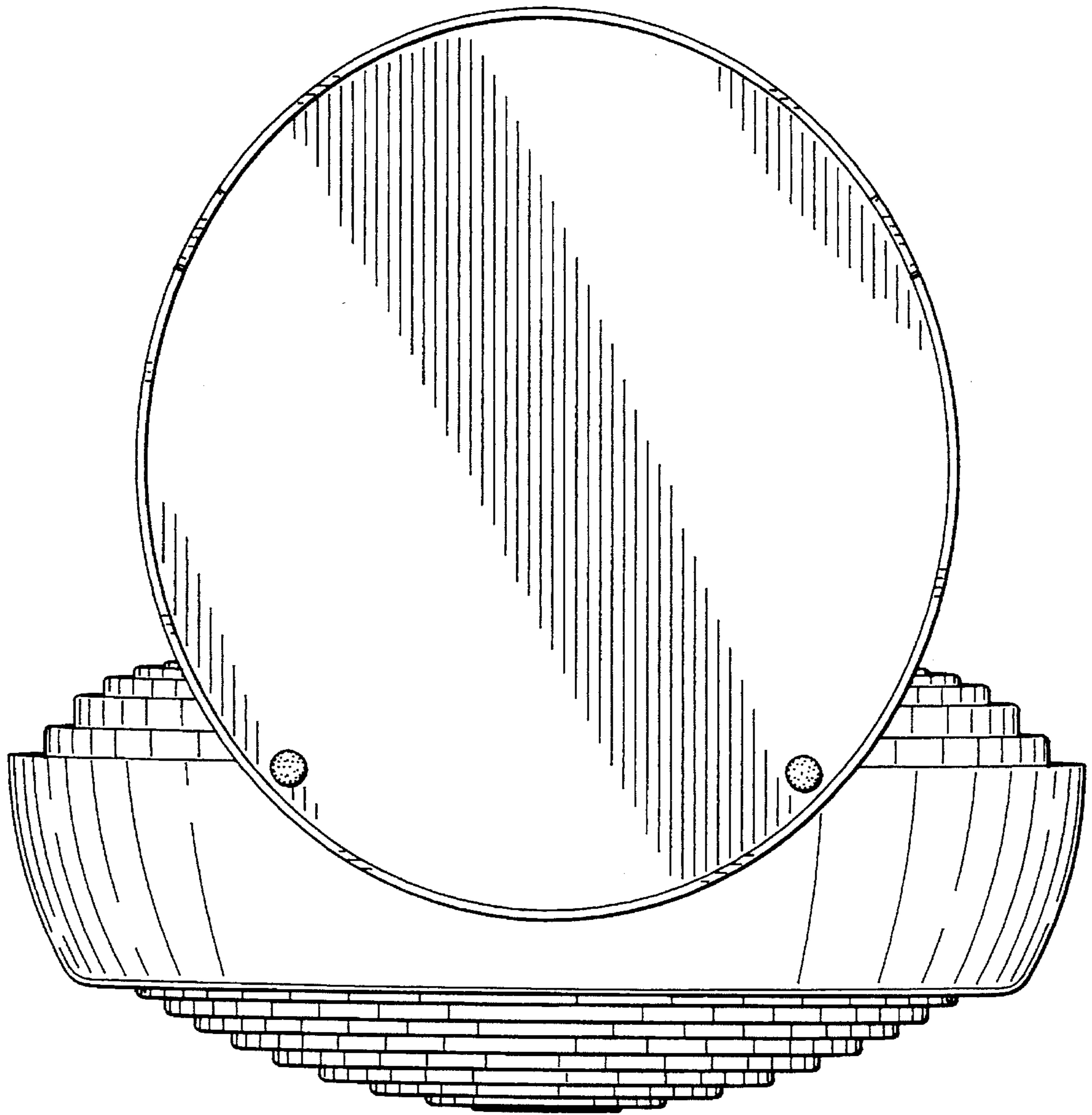


FIG. 6