



US00D374070S

United States Patent [19]

Tomasiak et al.

[11] Patent Number: **Des. 374,070**

[45] Date of Patent: ****Sep. 24, 1996**

[54] **HUMIDIFIER WITH EXPOSED TWIN BOTTLES**

[75] Inventors: **Mark J. Tomasiak, O'Fallon; Gregory F. Dix, Florissant, both of Mo.**

[73] Assignee: **Emerson Electric Co., St. Louis, Mo.**

[**] Term: **14 Years**

[21] Appl. No.: **31,748**

[22] Filed: **Dec. 5, 1994**

[52] U.S. Cl. **D23/356; D23/360**

[58] Field of Search **D23/356-363; 261/91, 92, DIG. 65; 392/403-406, 394; 422/120, 123**

[56] **References Cited**

U.S. PATENT DOCUMENTS

D. 335,339	5/1993	Glucksman et al.	D23/356
D. 337,634	7/1993	Copland et al.	D23/356
2,078,204	4/1937	Manning et al.	261/91
5,034,162	7/1991	Chiu	261/24

5,037,583	8/1991	Hand	261/26
5,067,169	11/1991	Chiu	392/406
5,110,511	5/1992	Hand	261/104
5,133,904	7/1992	Pepper	261/24
5,250,232	10/1993	Pepper et al.	261/24

Primary Examiner—Lisa P. Lichtenstein
Attorney, Agent, or Firm—Polster, Lieder, Woodruff & Lucchesi

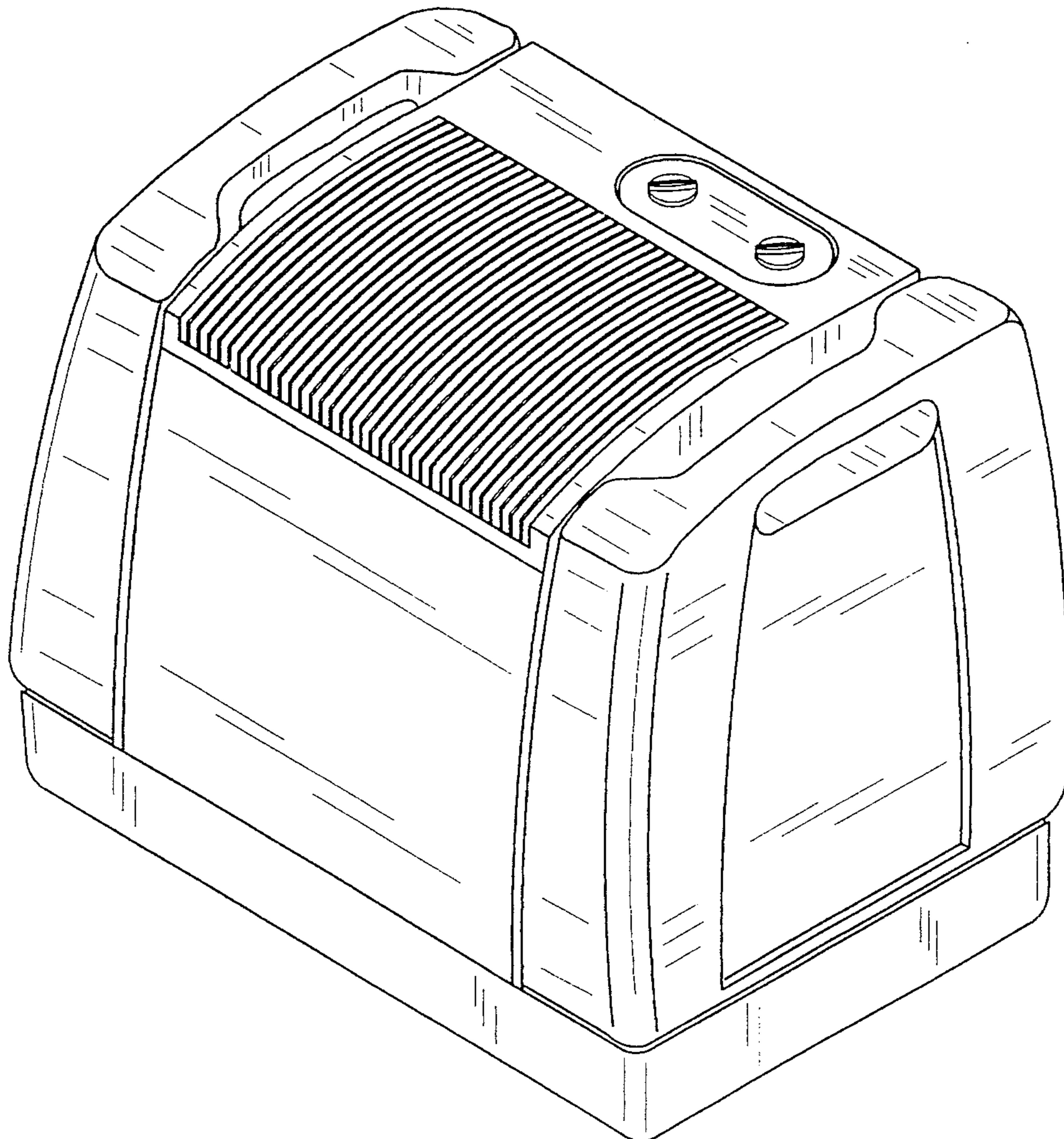
[57] **CLAIM**

The ornamental design for humidifier with exposed twin bottles, as shown.

DESCRIPTION

FIG. 1 is a perspective view of our new design of humidifier with exposed twin bottles;
FIG. 2 is a front elevational view thereof;
FIG. 3 is a rear elevational view thereof;
FIG. 4 is a top plan view thereof;
FIG. 5 is a bottom plan view thereof;
FIG. 6 is a left side elevational view thereof; and,
FIG. 7 is a right side elevational view thereof.

1 Claim, 5 Drawing Sheets



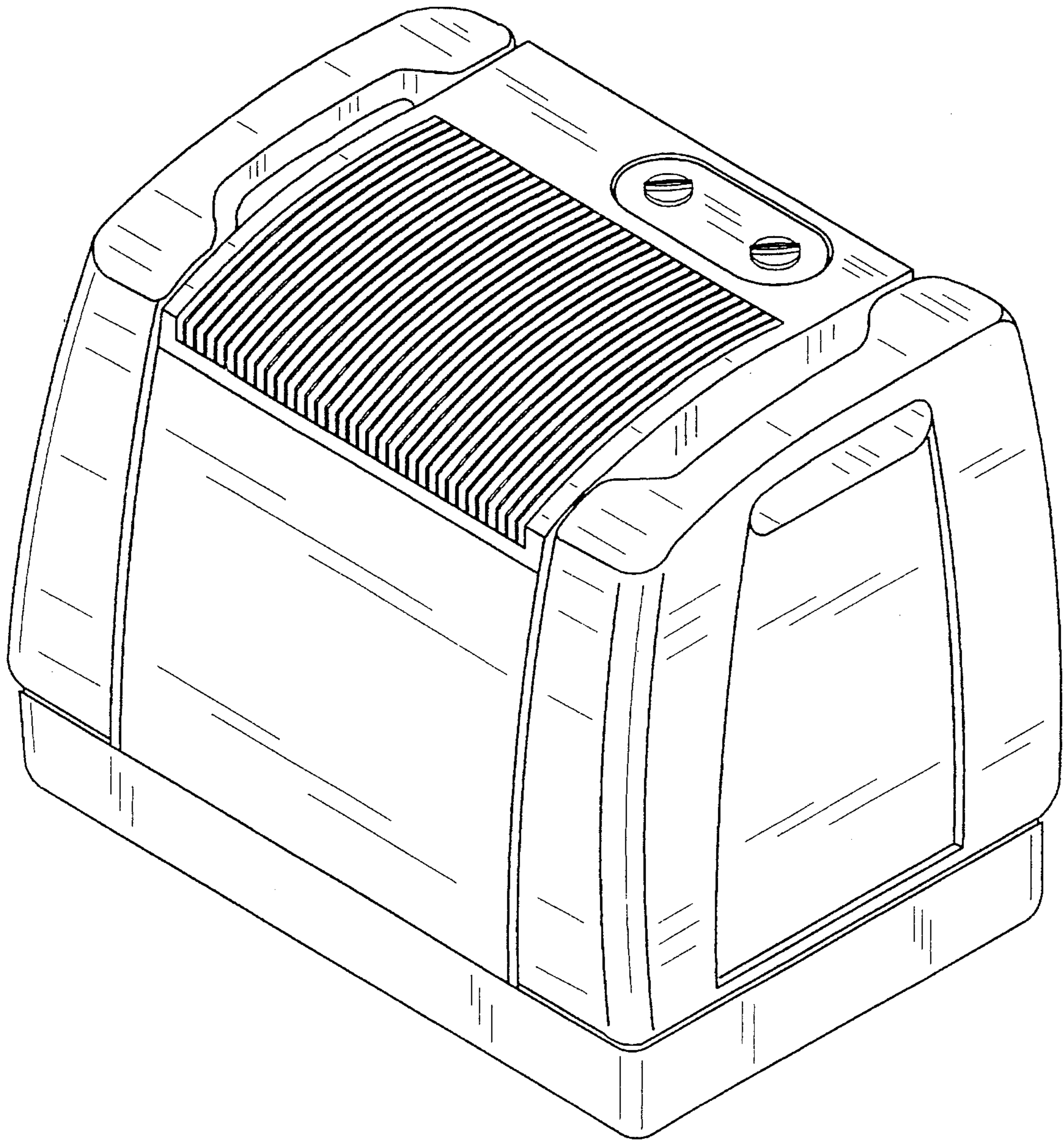


FIG. 1

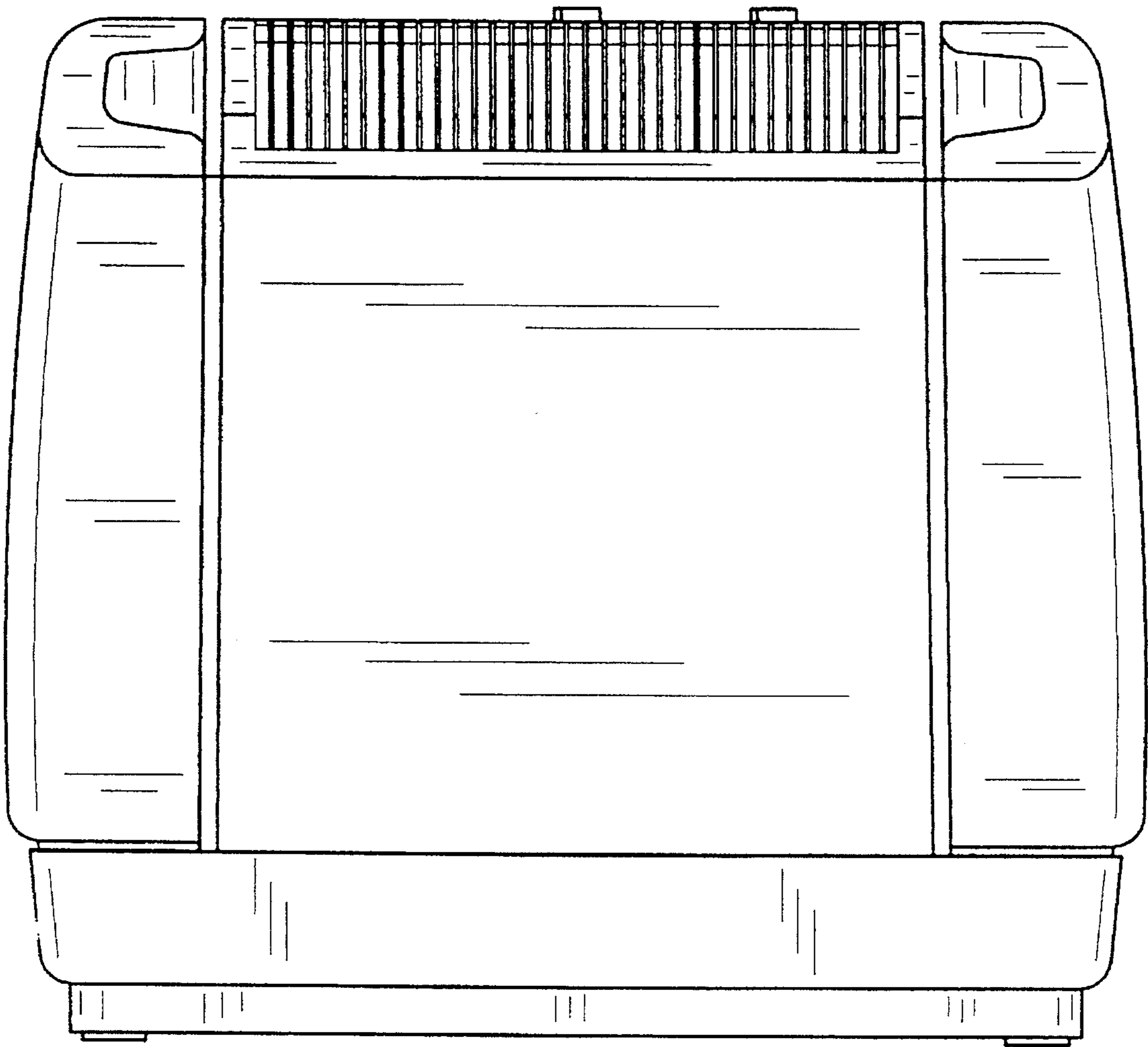


FIG. 2

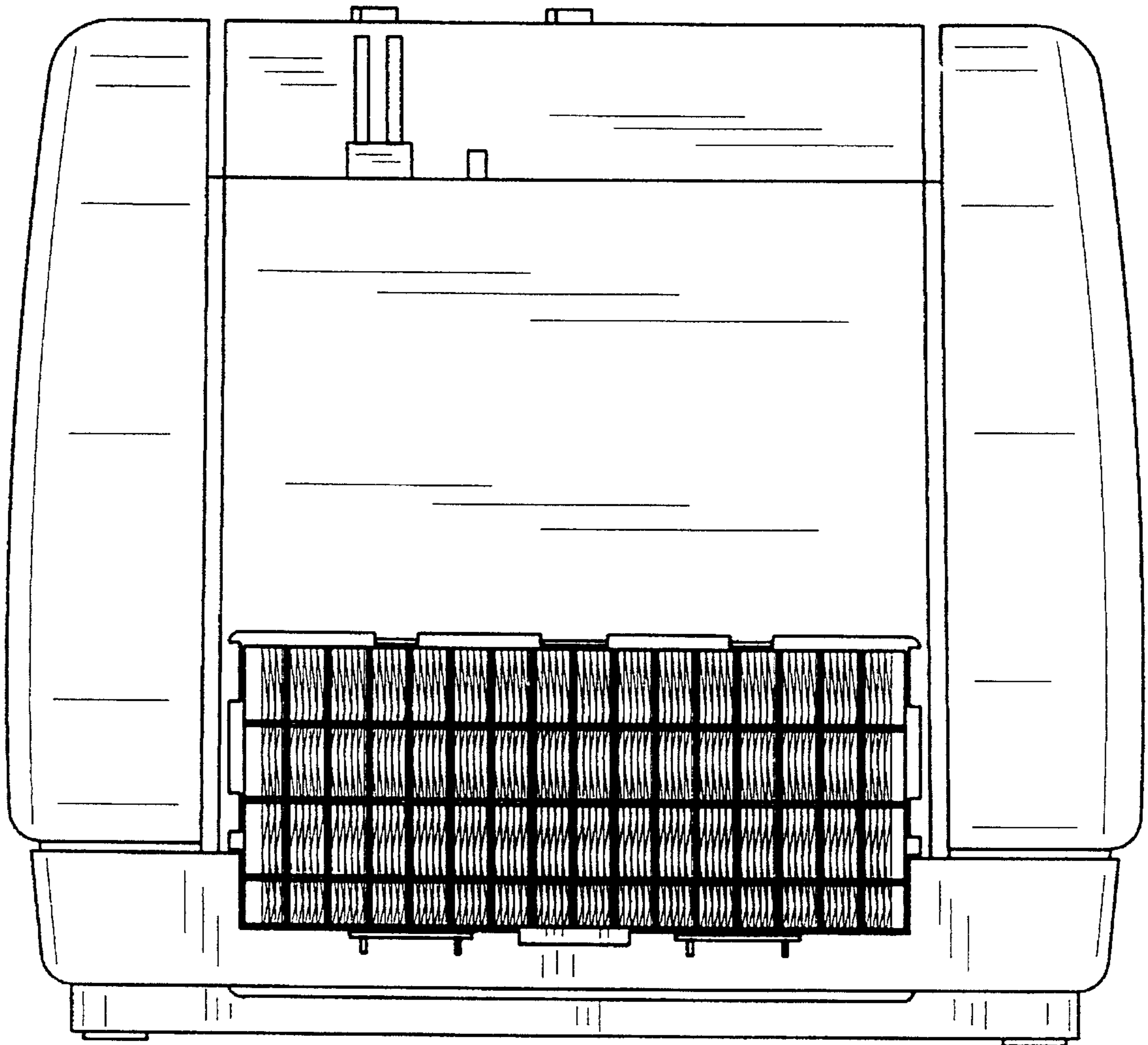


FIG. 3

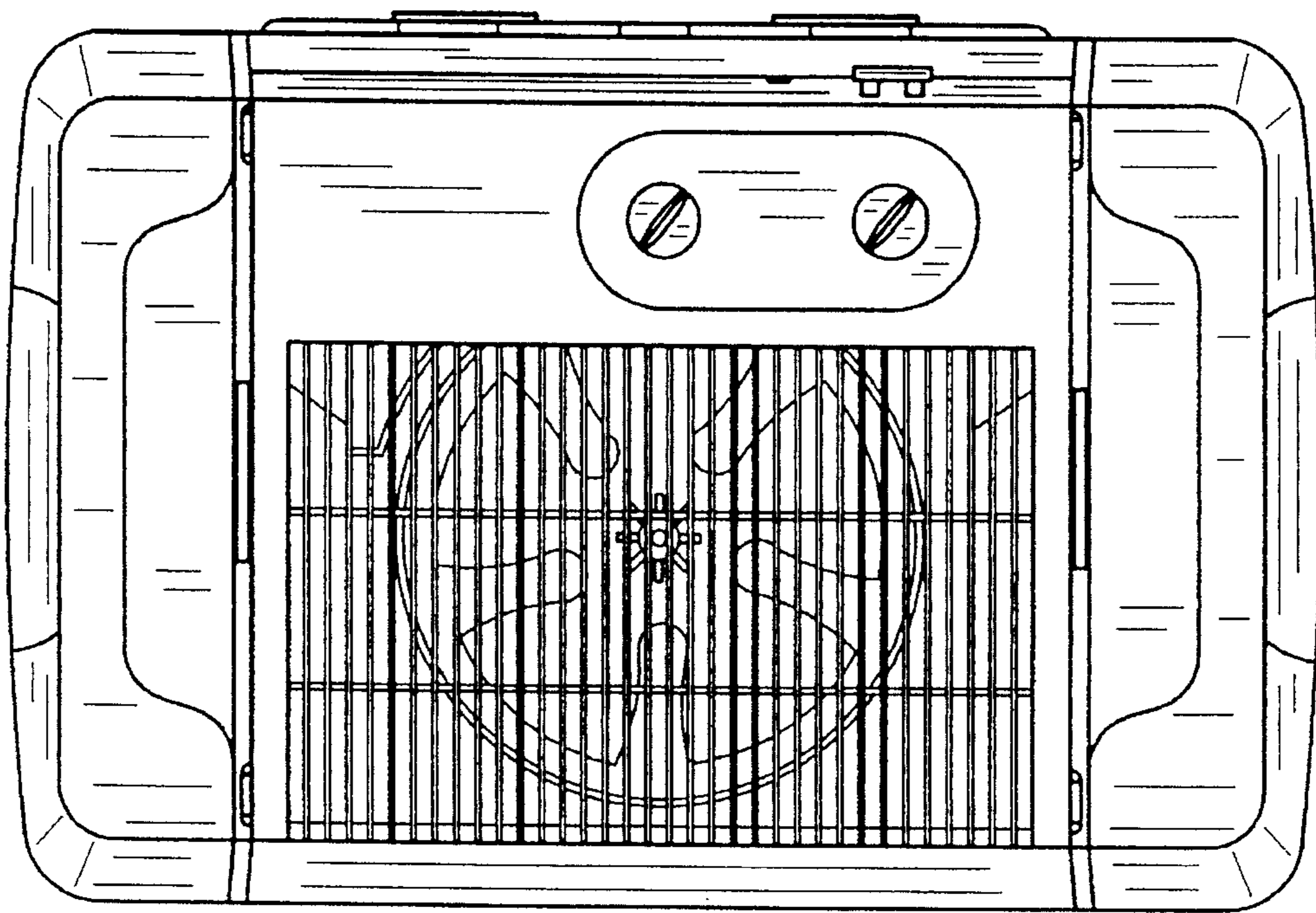


FIG. 4

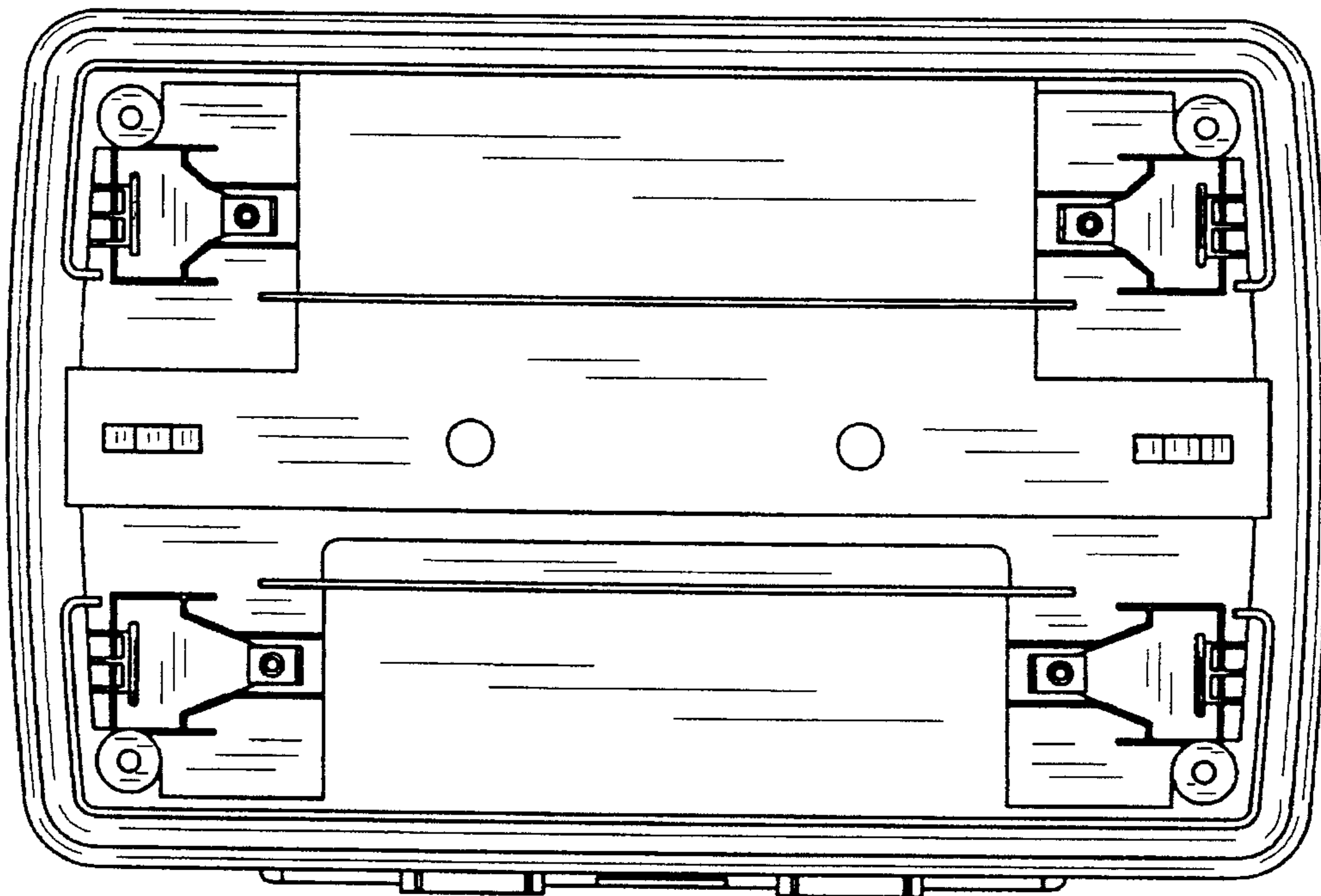


FIG. 5

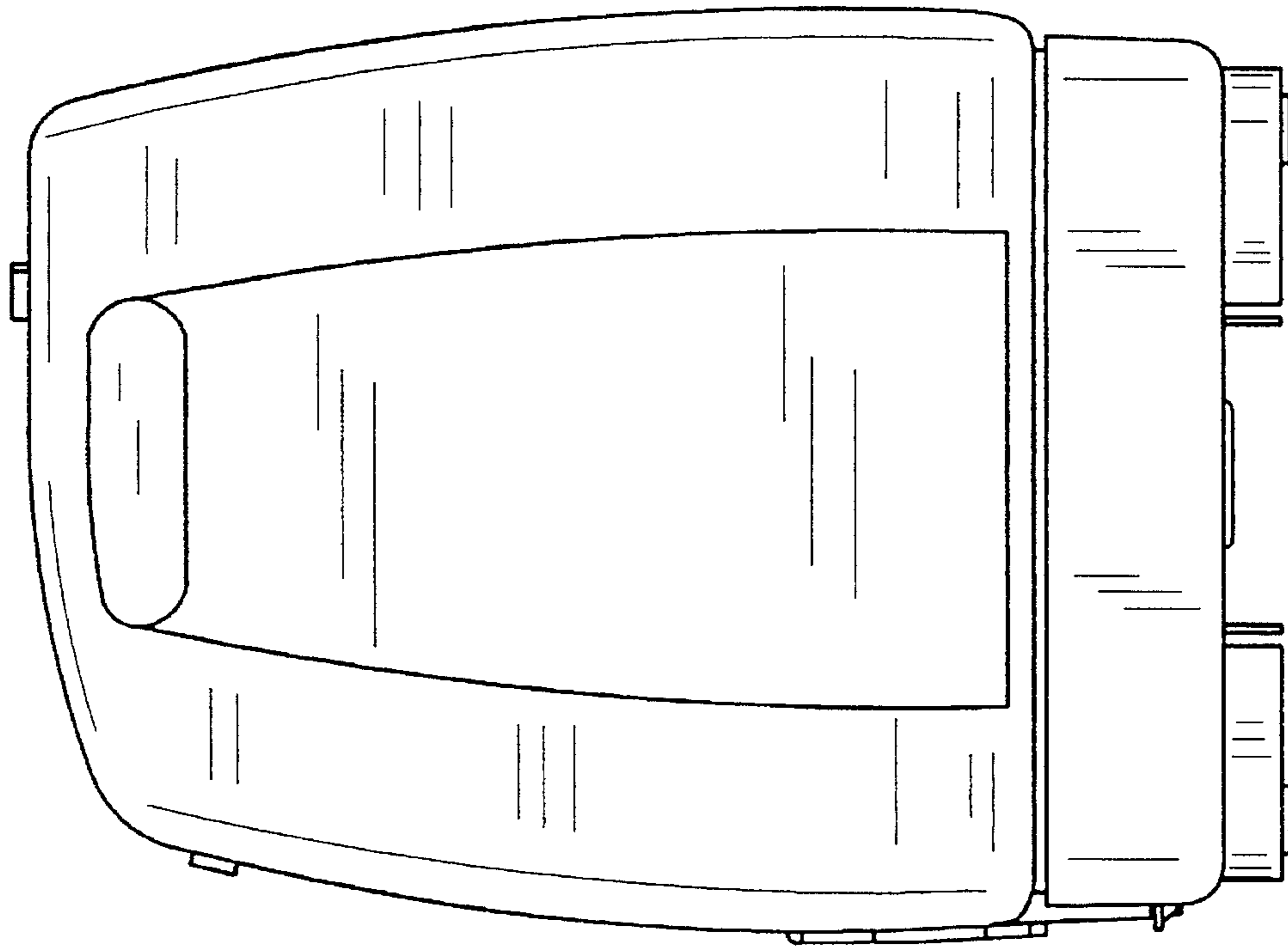


FIG. 6

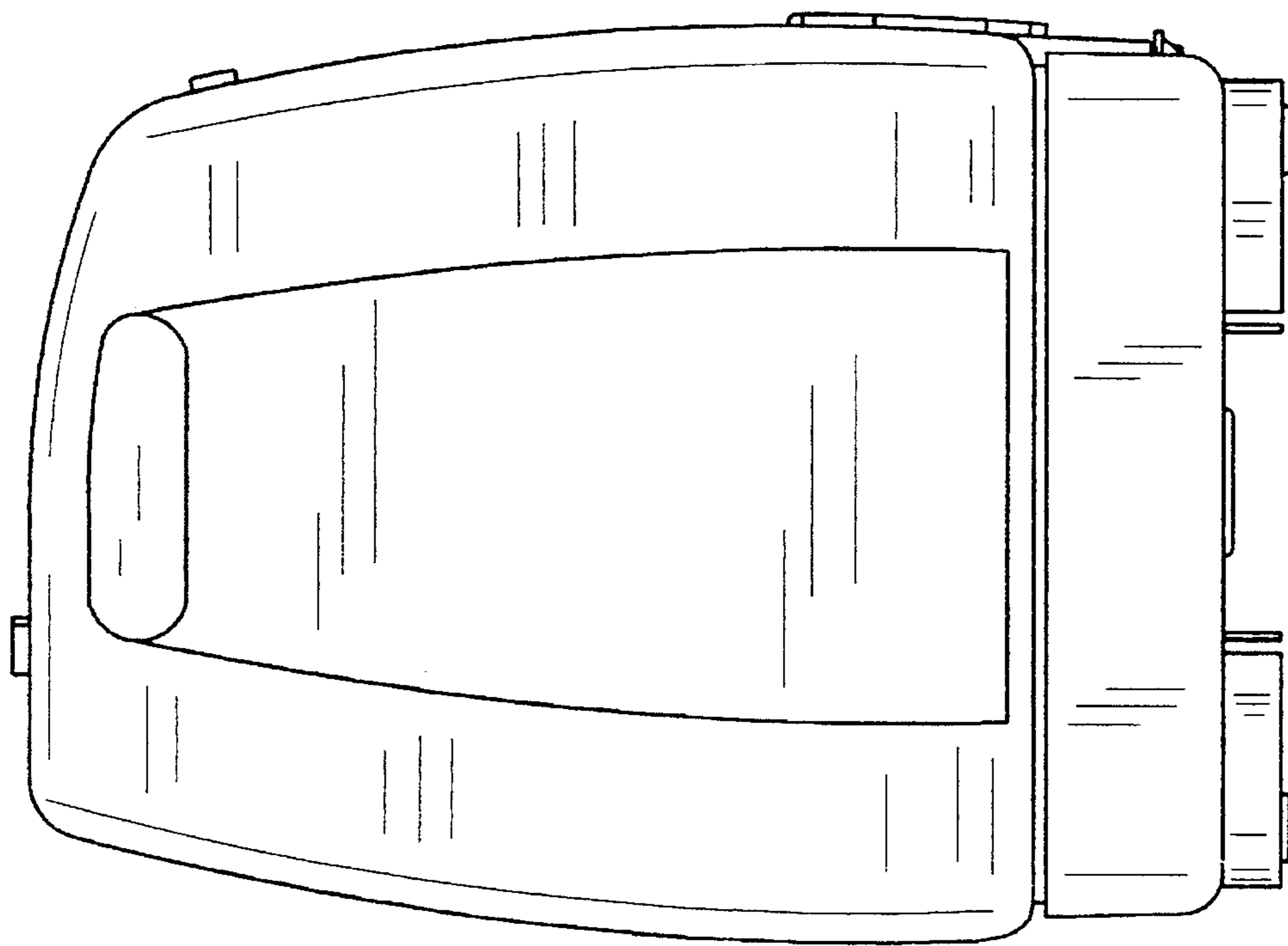


FIG. 7