



US00D374068S

United States Patent [19]

Segenschmid

[11] Patent Number: **Des. 374,068**

[45] Date of Patent: ****Sep. 24, 1996**

[54] LAVATORY

[75] Inventor: **Ludwig A. Segenschmid**, Munich, Germany

[73] Assignee: **American Standard Inc.**, Piscataway, N.J.

[**] Term: **14 Years**

[21] Appl. No.: **39,774**

[22] Filed: **May 16, 1995**

D. 246,050	10/1977	Garasi	D23/58
D. 260,678	9/1981	Hiller	D23/53
D. 267,336	12/1982	Fortuno	D23/58
D. 274,166	6/1984	Kaiser	D23/58
D. 281,449	11/1985	Stairs, Jr.	D23/58
D. 312,123	11/1990	Enthoven	D23/284
4,991,241	2/1991	Bergmann et al.	4/619

Primary Examiner—Stella Reid
Assistant Examiner—E. Watterson
Attorney, Agent, or Firm—Elaine Brenner Robinson; Ann M. Knab

Related U.S. Application Data

[62] Division of Ser. No. 13,182, Sep. 20, 1993, Pat. No. Des. 361,830.

[52] U.S. Cl. **D23/286**

[58] Field of Search D23/284, 293.1; 4/619

[57] CLAIM

The ornamental design for a lavatory, as shown and described.

DESCRIPTION

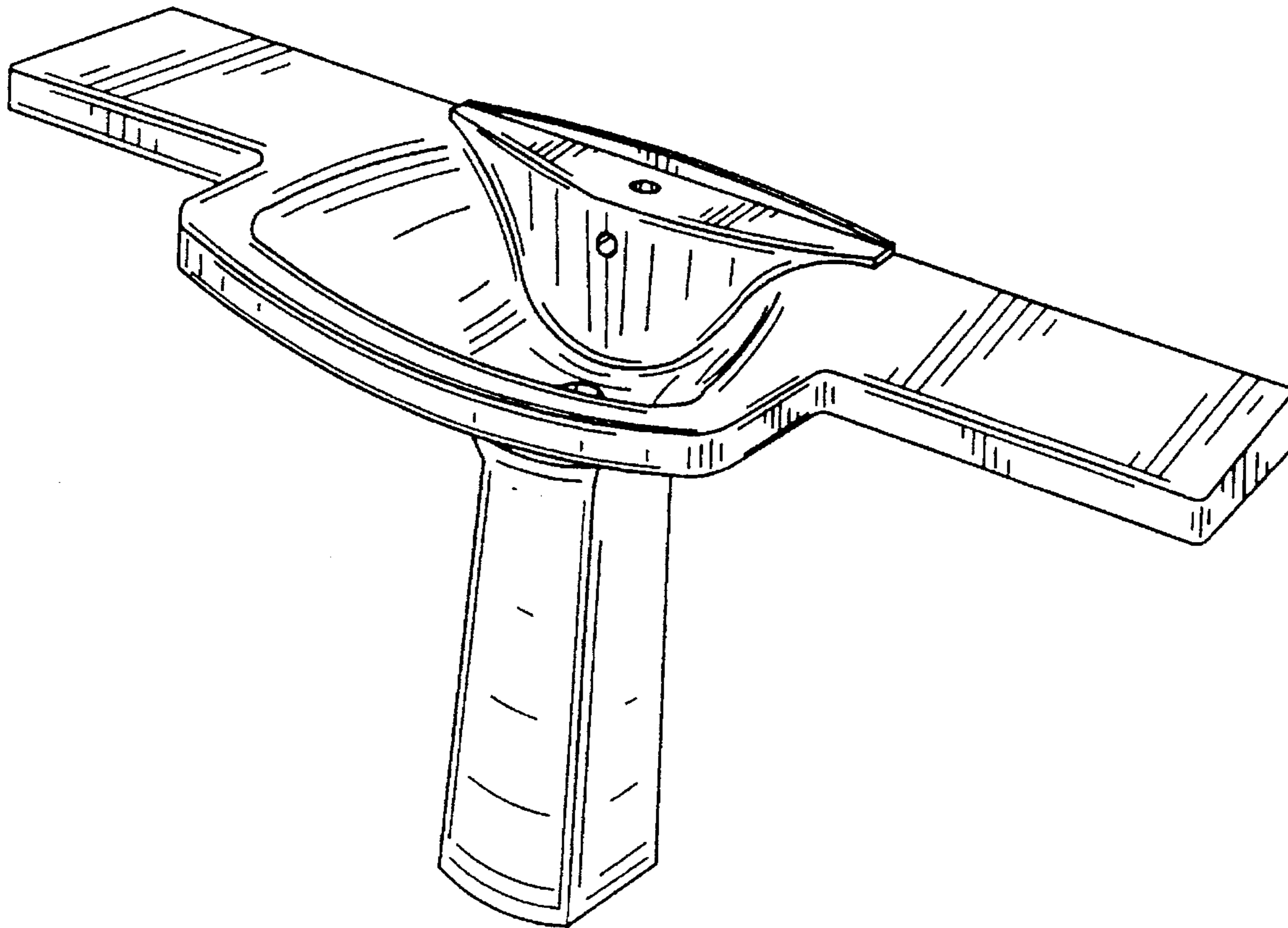
FIG. 1 is a top, front and right side perspective view of a lavatory showing my new design;
FIG. 2 is a left side elevational view, the right side being a mirror image thereof;
FIG. 3 is a front side elevational view thereof;
FIG. 4 is a top plan view thereof;
FIG. 5 is a bottom plan view thereof; and,
FIG. 6 is a rear elevational view thereof.

References Cited

U.S. PATENT DOCUMENTS

D. 220,396	4/1971	Skyhawk	D23/58
D. 238,070	12/1975	Ganger	D23/2
D. 240,727	7/1976	Garasi et al.	D23/2
D. 240,825	8/1976	Gruber	D23/2

1 Claim, 3 Drawing Sheets



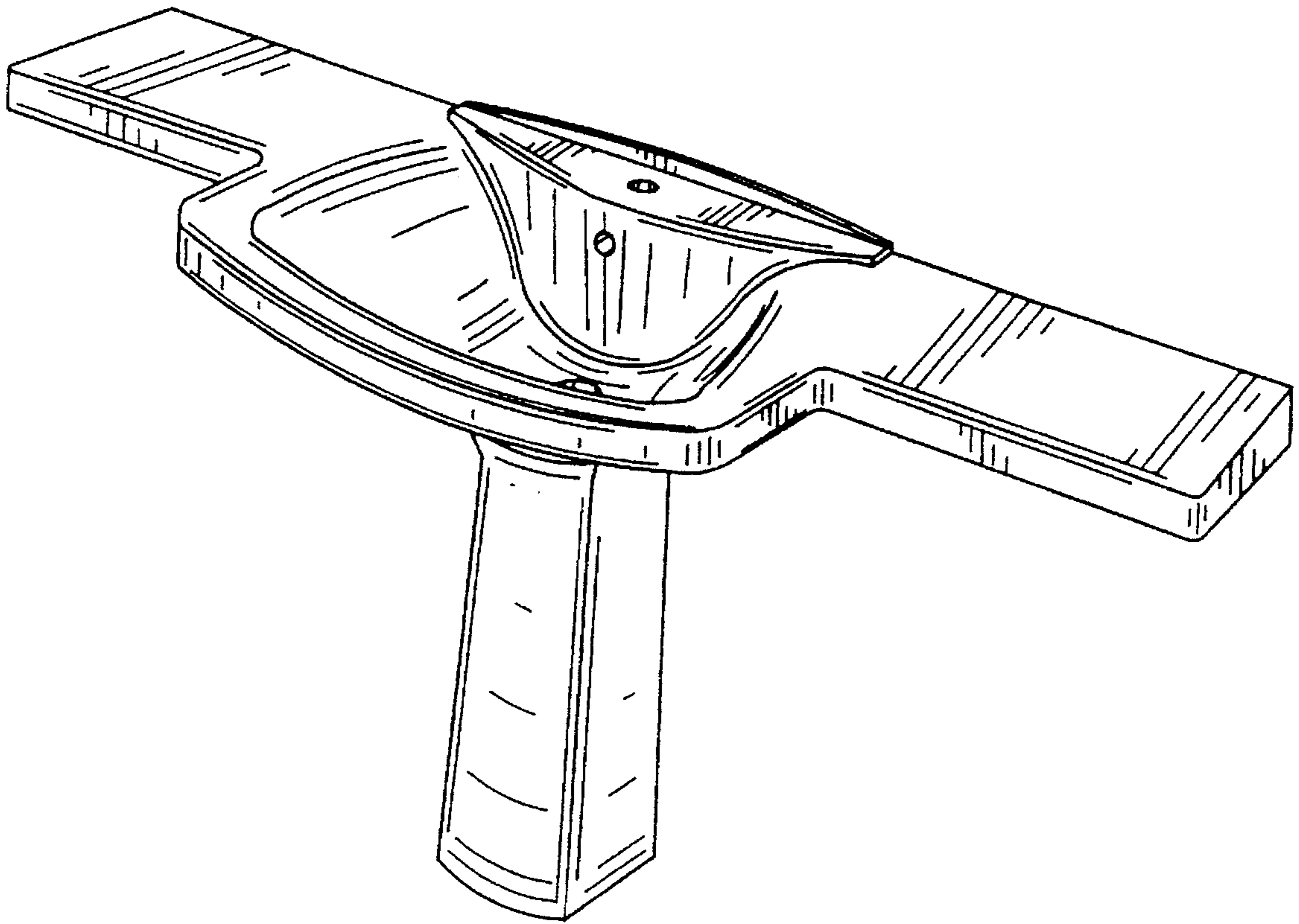


FIG. 1

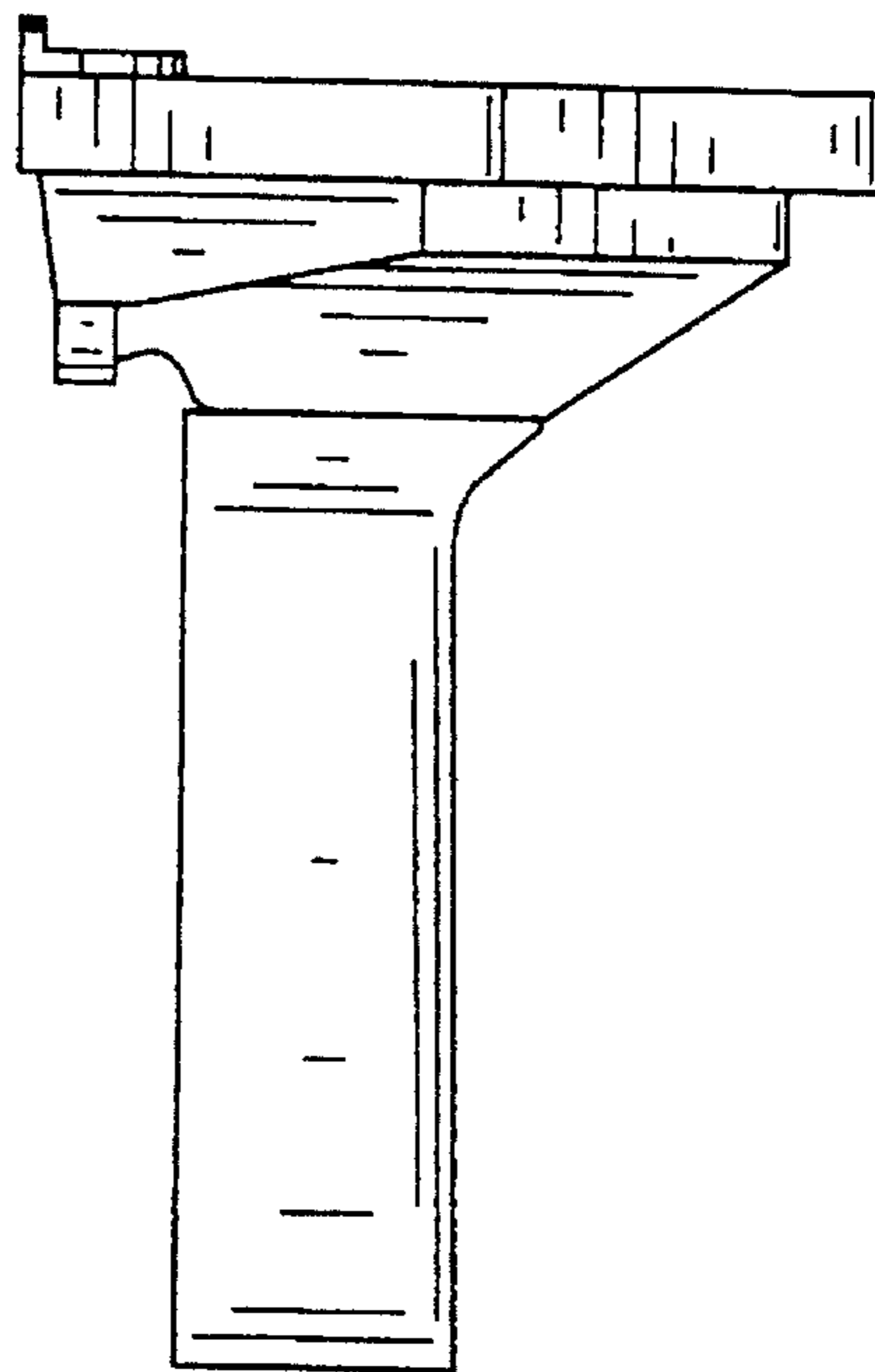


FIG. 2

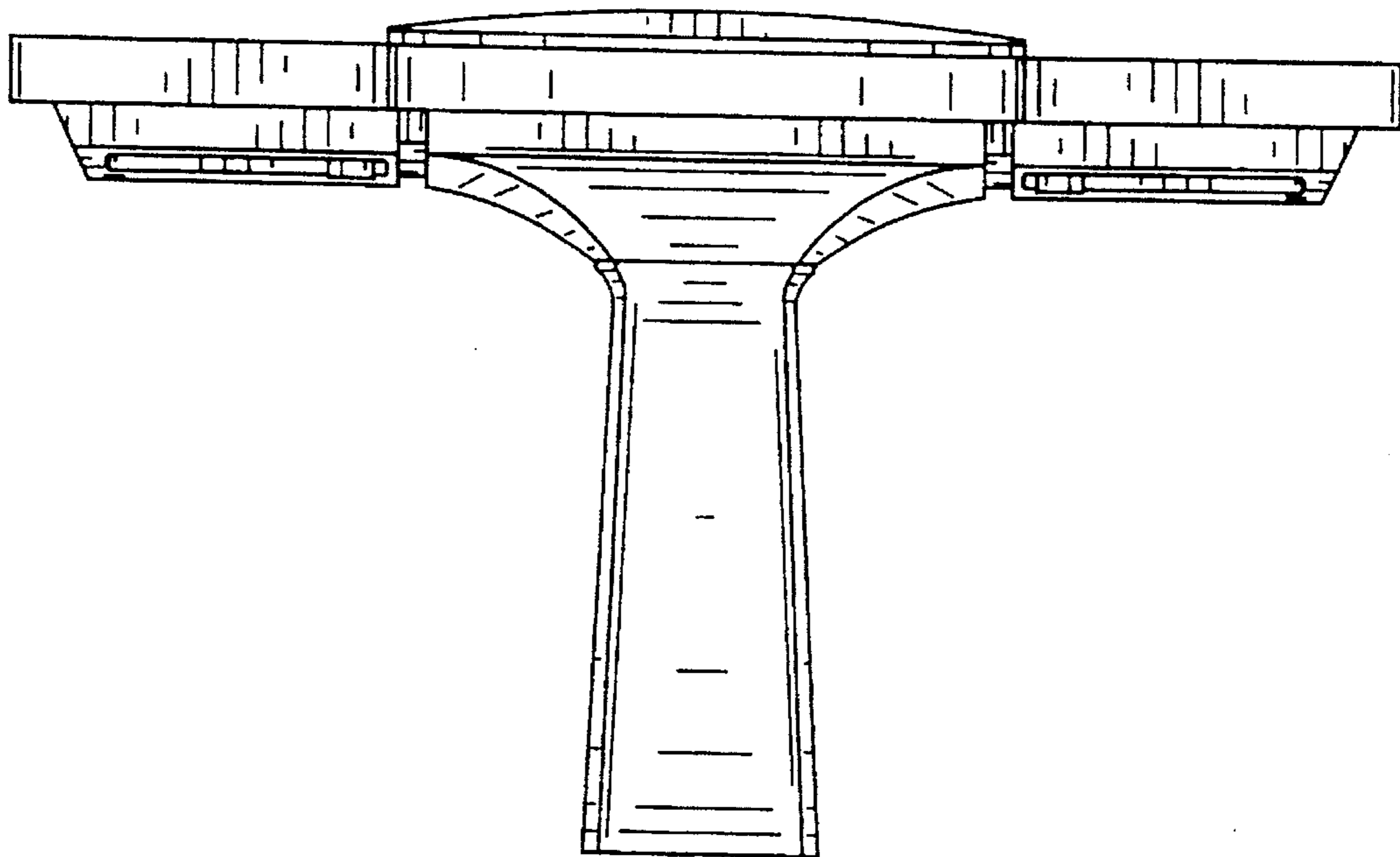


FIG. 3

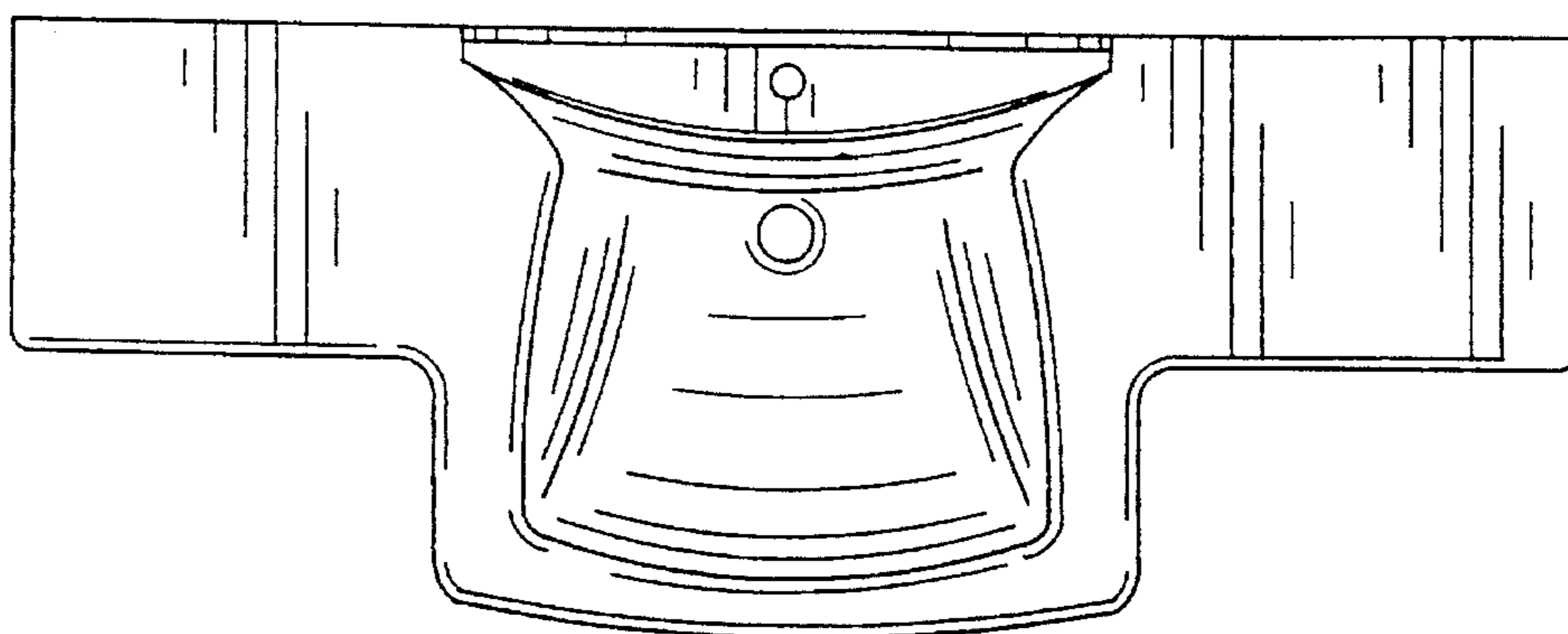


FIG. 4

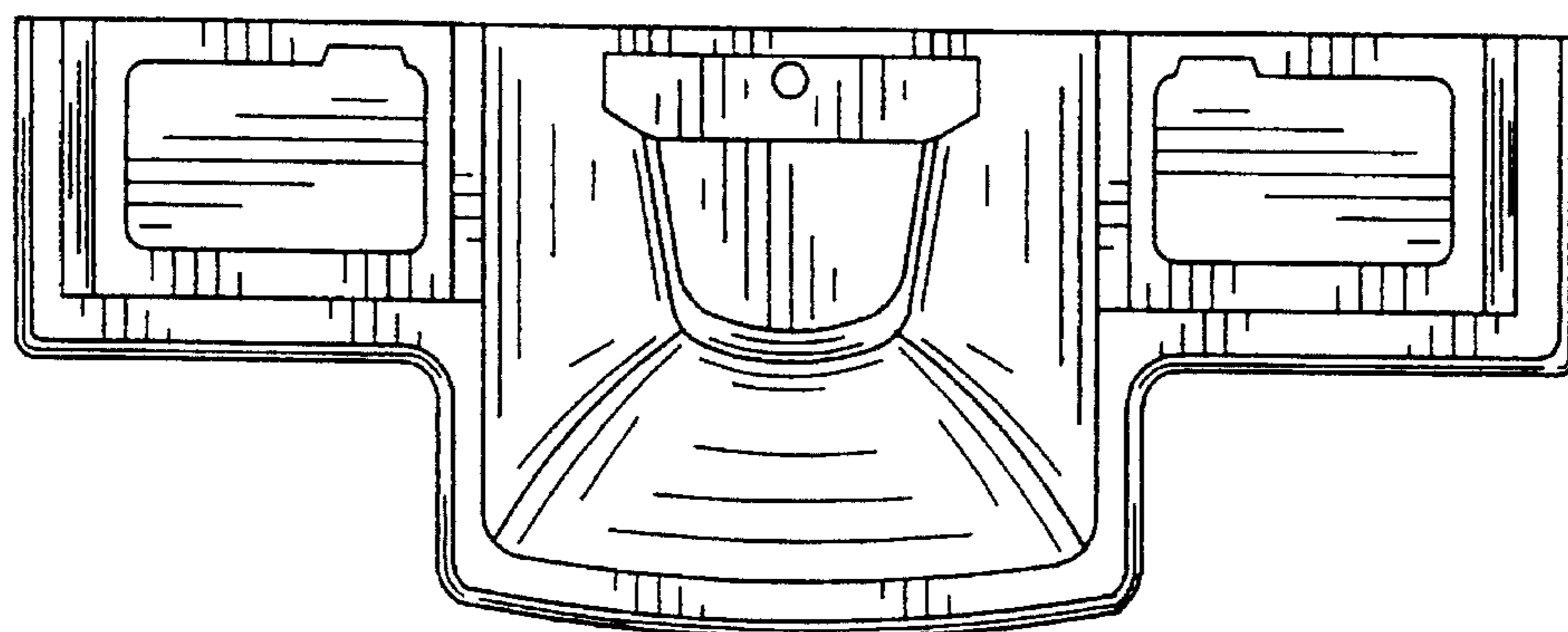


FIG. 5

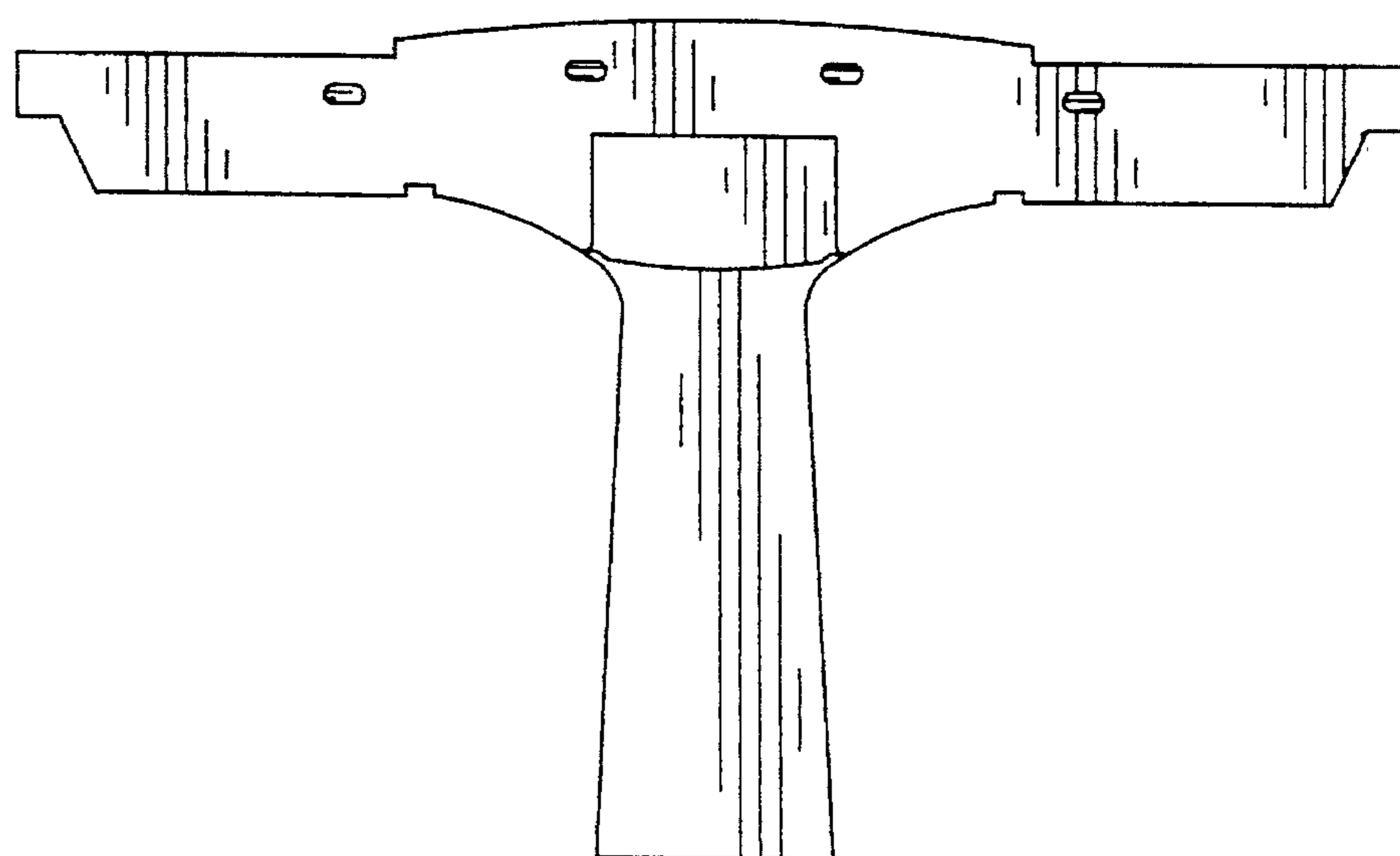


FIG. 6