



US00D374066S

**United States Patent** [19]  
**Gregor**

[11] **Patent Number: Des. 374,066**

[45] **Date of Patent: \*\*Sep. 24, 1996**

[54] **BALL VALVE**

[75] Inventor: **Naef Gregor**, Baden-Dattwil,  
Switzerland

[73] Assignee: **Georg Fischer Rohrleitungssysteme  
AG**, Schaffhausen, Switzerland

[\*\*] Term: **14 Years**

[21] Appl. No.: **39,579**

[22] Filed: **May 31, 1995**

D. 297,254	8/1988	Odahe et al.	.....	D23/248
D. 321,928	11/1991	Milo	.....	D23/245
4,023,773	5/1977	Wise	.....	251/148
4,667,928	5/1987	Davatz et al.	.....	251/148

*Primary Examiner*—Stella Reid  
*Assistant Examiner*—Eric Watterson  
*Attorney, Agent, or Firm*—Bachman & LaPointe, P.C.

[57] **CLAIM**

The ornamental design for a ball valve, as shown and described.

**Related U.S. Application Data**

[62] Division of Ser. No. 21,437, Apr. 18, 1994, Pat. No. Des. 366,693.

[30] **Foreign Application Priority Data**

Oct. 18, 1993	[WO]	WIPO	.....	DM/027612
[52]	<b>U.S. Cl.</b>	.....		<b>D23/233</b>
[58]	<b>Field of Search</b>	.....	D23/233-237, D23/244-248, 259, 262; 137/412, 801; 257/148, 152, 309	

**DESCRIPTION**

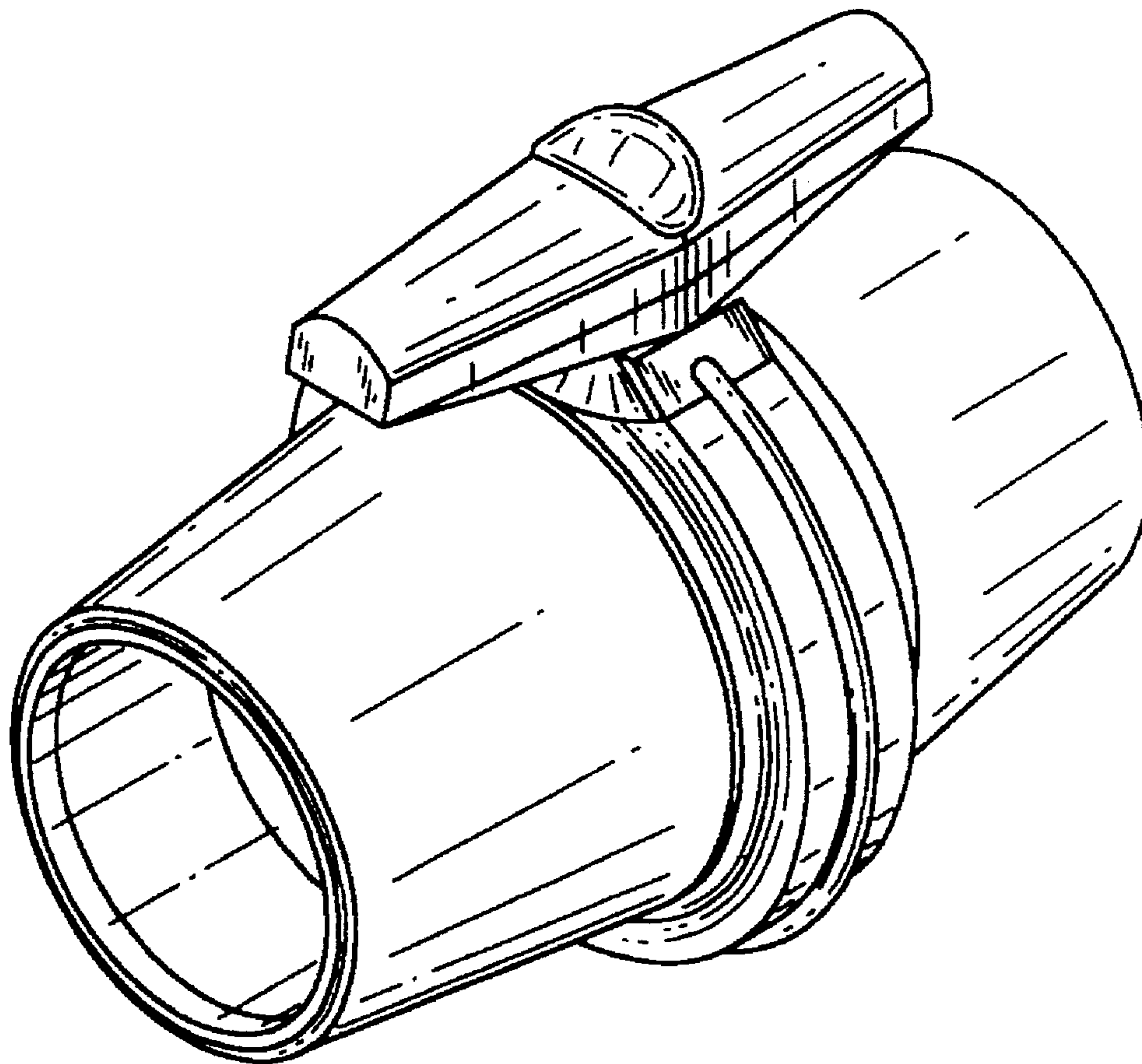
FIG. 1 is a perspective view of a first embodiment of a ball valve in accordance with the present invention;  
FIG. 2 is a bottom view of the ball cock of FIG. 1;  
FIG. 3 is a front view of the ball cock of FIG. 1;  
FIG. 4 is a top view of the ball cock of FIG. 1;  
FIG. 5 is a rear view of the ball cock of FIG. 1;  
FIG. 6 is a left view of the ball cock of FIG. 1; and,  
FIG. 7 is a right view of the ball cock of FIG. 1.

[56] **References Cited**

**U.S. PATENT DOCUMENTS**

D. 281,230 8/1982 Kuwz ..... D23/245

**1 Claim, 1 Drawing Sheet**



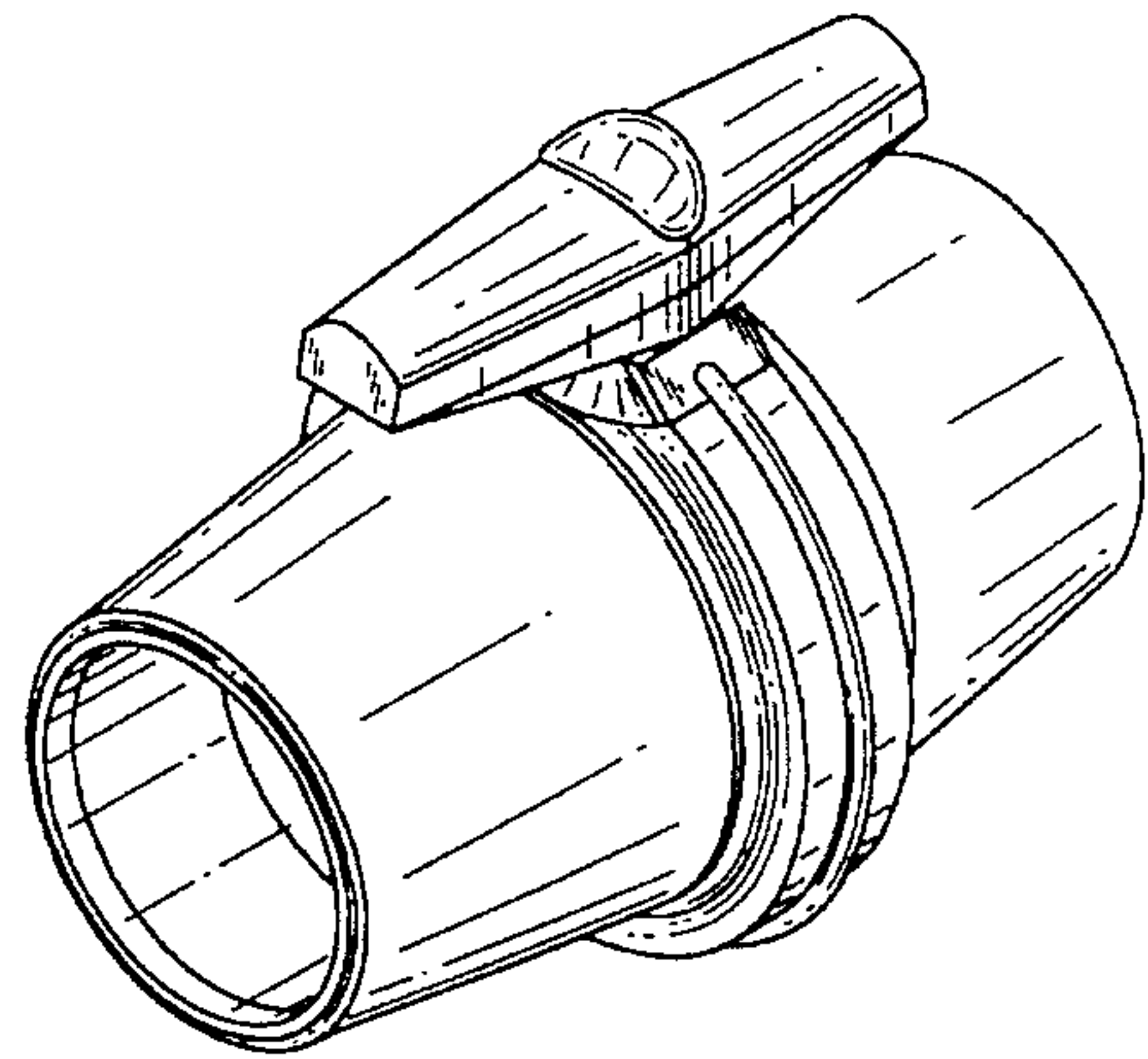


FIG-1

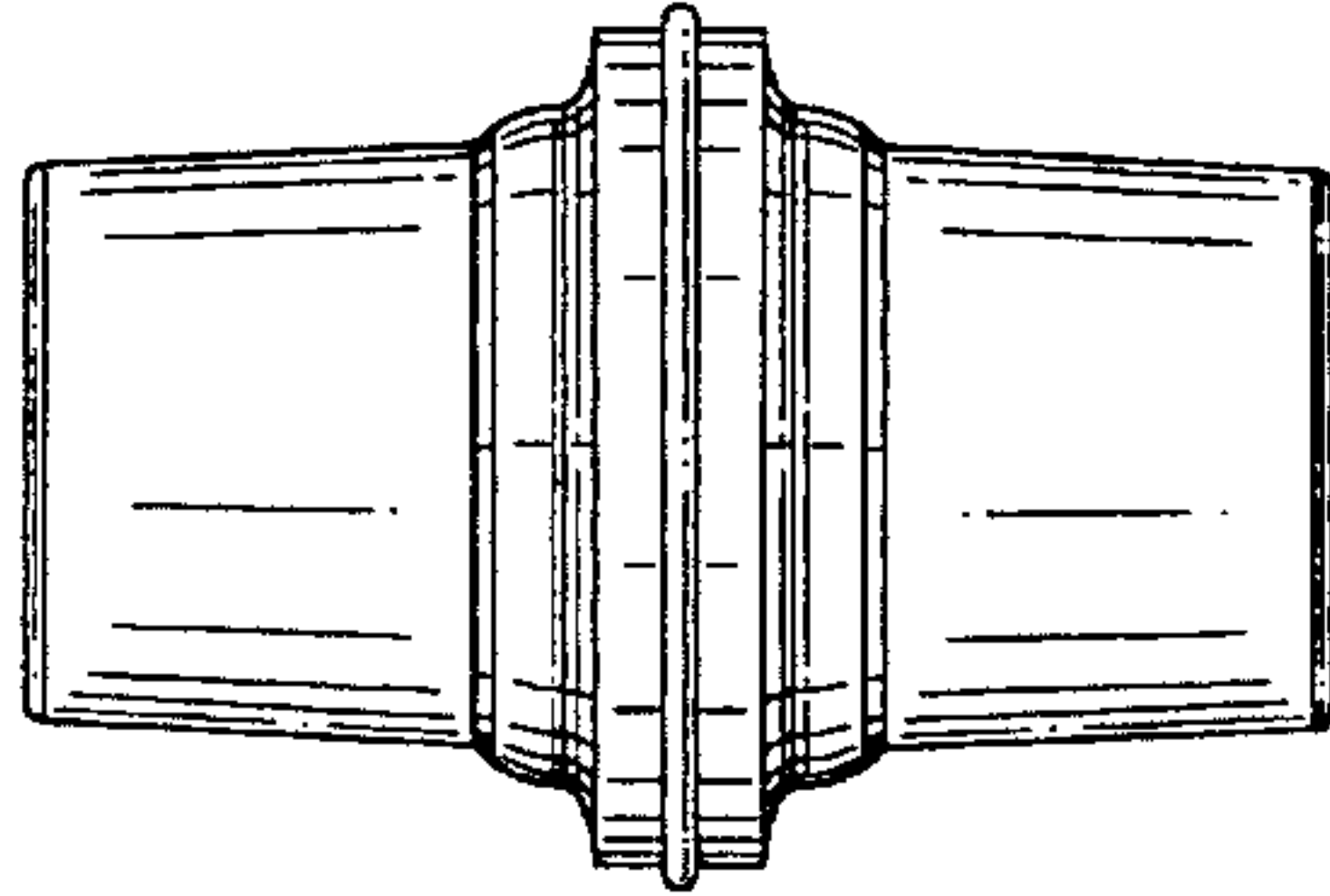


FIG-2

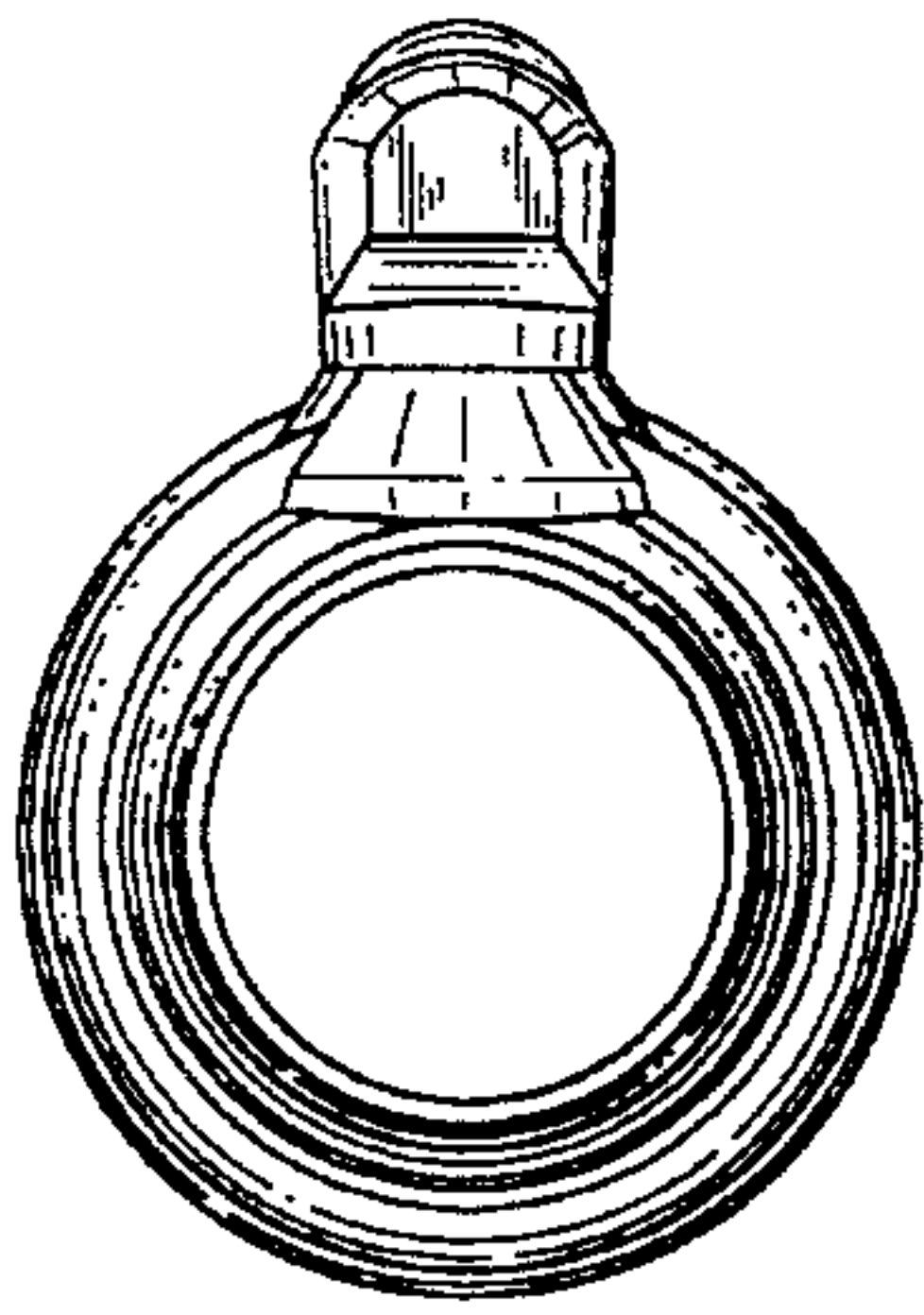


FIG-6

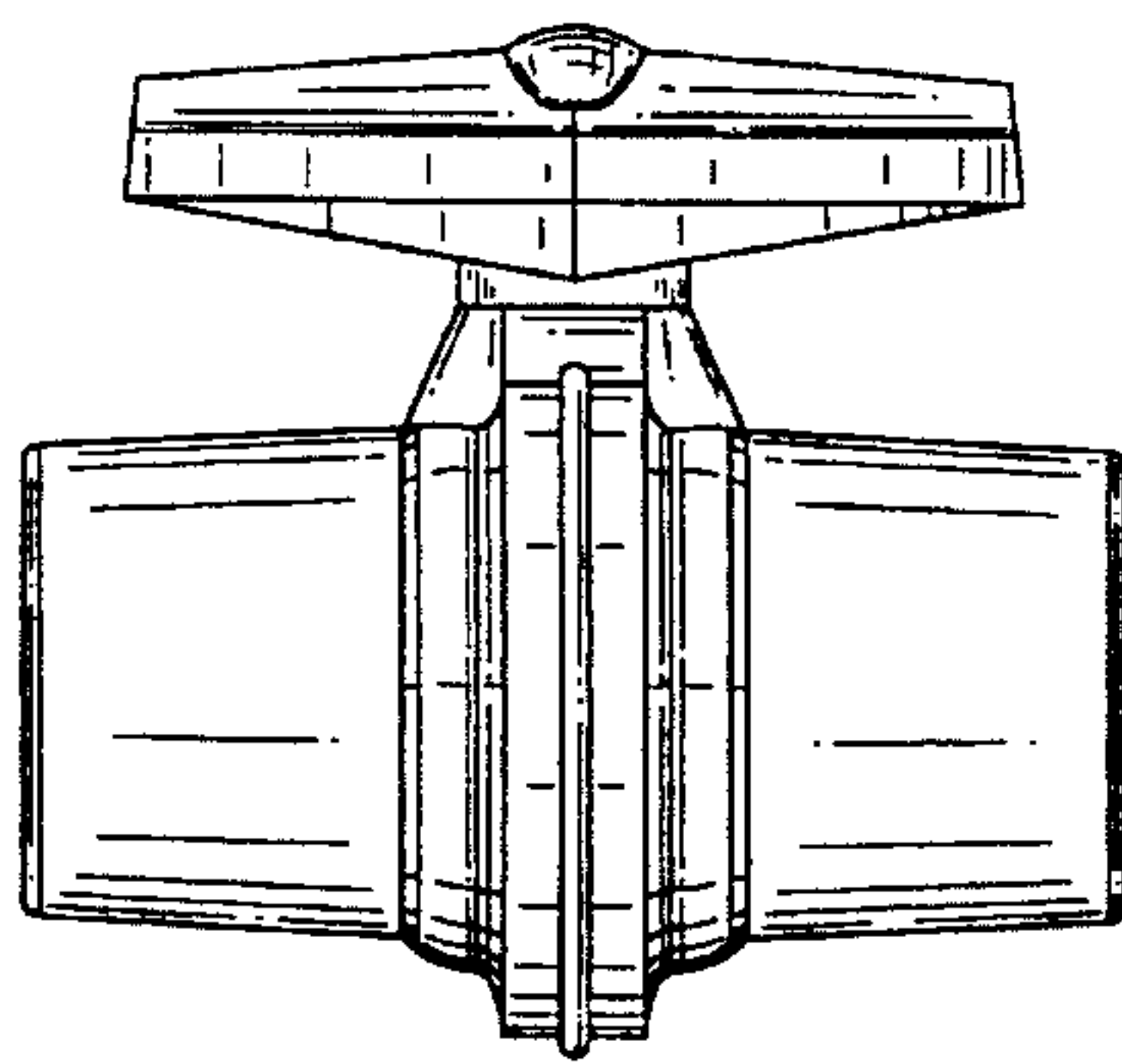


FIG-3

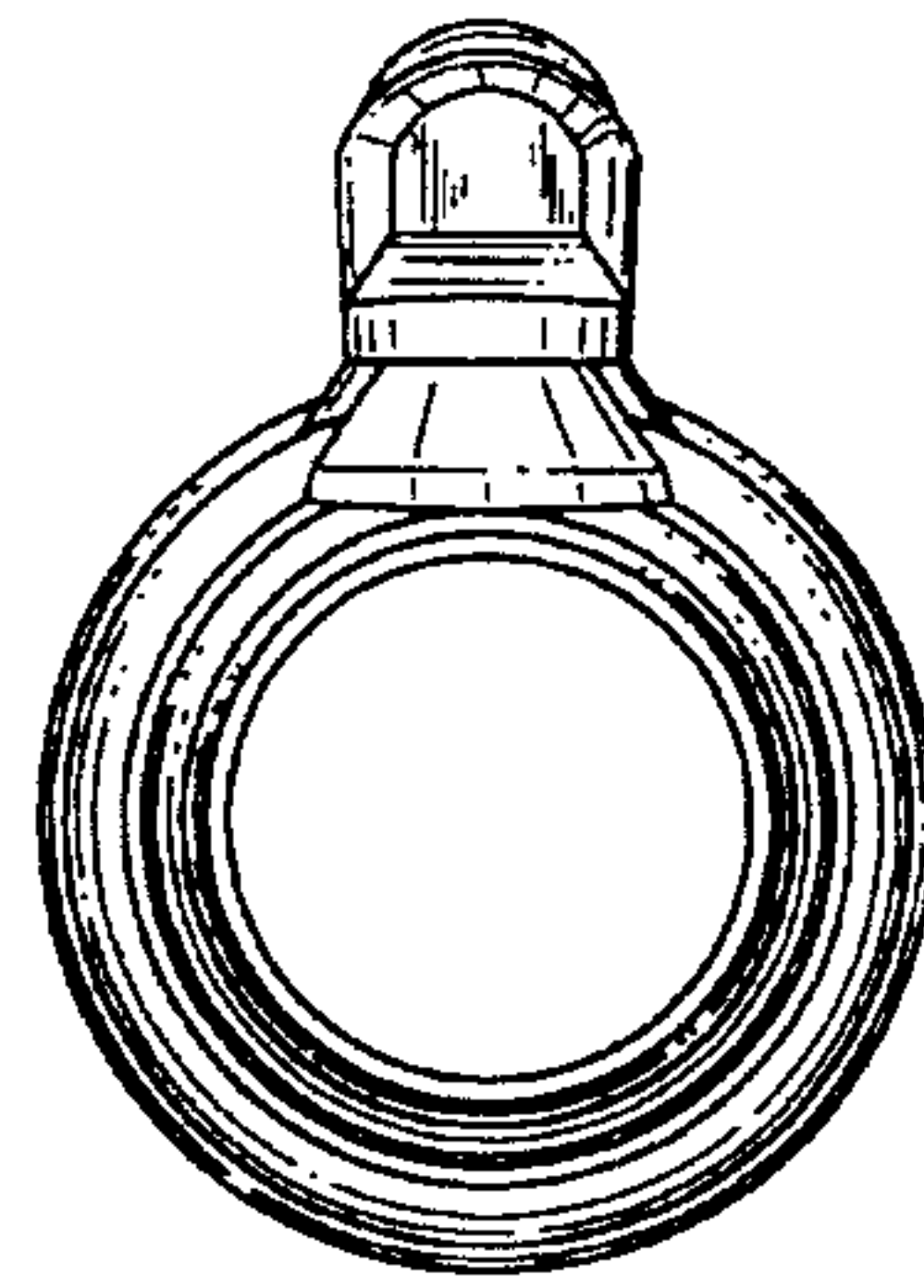


FIG-7

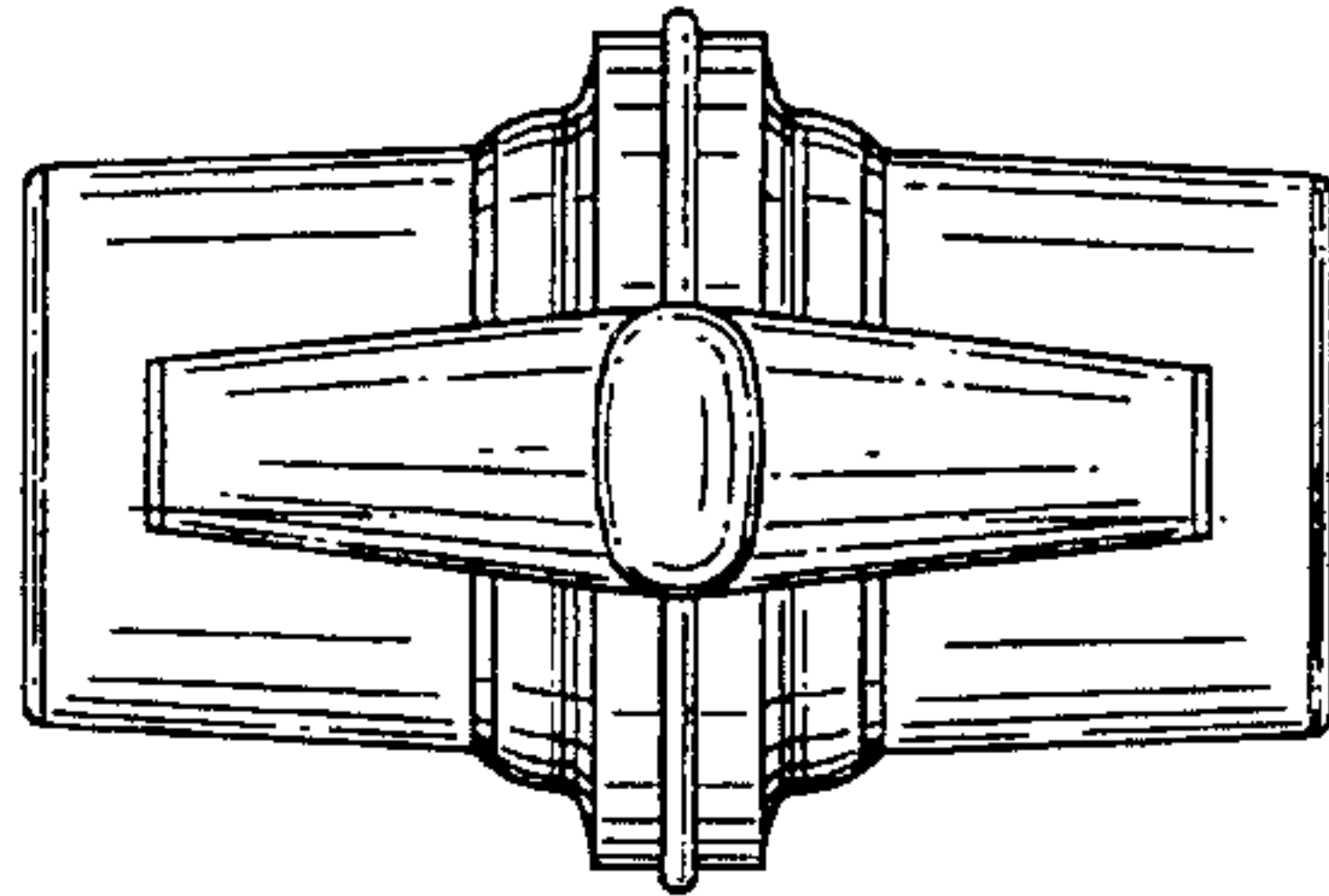


FIG-4

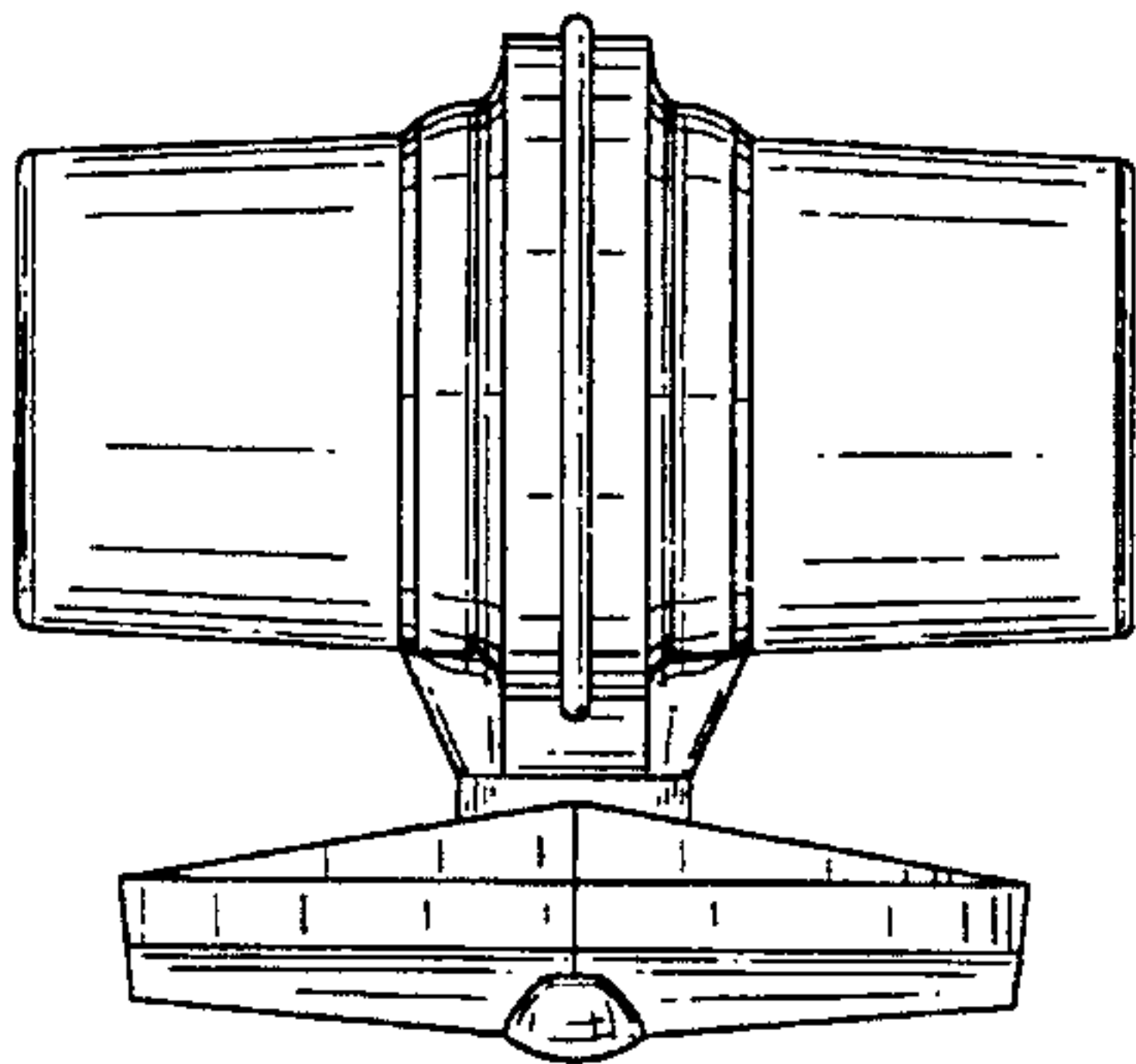


FIG-5

UNITED STATES PATENT AND TRADEMARK OFFICE  
**CERTIFICATE OF CORRECTION**

PATENT NO. : Des. 374,066  
DATED : September 24, 1996  
INVENTOR(S) : Naef Gregor

It is certified that error appears in the above-identified patent and that said Letters Patent is hereby corrected as shown below:

ON THE TITLE PAGE:

In the Description, Figures 2 through 7, "ball cock" should be changed to --ball valve-- in all instances.

Signed and Sealed this  
Eighteenth Day of March, 1997

Attest:



BRUCE LEHMAN

Attesting Officer

Commissioner of Patents and Trademarks