



US00D374065S

United States Patent [19]
Chan

[11] **Patent Number: Des. 374,065**

[45] **Date of Patent: **Sep. 24, 1996**

[54] **WALL MOUNT SHOWER HEAD**

2,928,610 3/1960 Fenimore 239/288.5
2,975,980 3/1961 Siebert et al. 239/310

[75] Inventor: **Raymond W. M. Chan**, Vancouver,
Canada

Primary Examiner—A. Hugo Word

Assistant Examiner—Robin V. Taylor

[73] Assignee: **Jing Mei Industrial Limited**, Tsuen
Wan

Attorney, Agent, or Firm—Laff, Whitesel, Conte & Saret,
Ltd.

[**] Term: **14 Years**

[57] **CLAIM**

[21] Appl. No.: **24,994**

The ornamental design for a wall mount shower head, as
shown and described.

[22] Filed: **Jun. 24, 1994**

[52] U.S. Cl. **D23/213**

DESCRIPTION

[58] **Field of Search** D23/213, 223-230;
239/276, 280-3, 288.5, 456-460, 443-9,
394, 525-8, 300-302

FIG. 1 is a rear elevation view of a wall mounted shower
head showing the new design;

FIG. 2 is a left side elevation view thereof;

FIG. 3 is a right side elevation view thereof;

FIG. 4 is a front elevation view thereof;

FIG. 5 is a perspective view thereof; and,

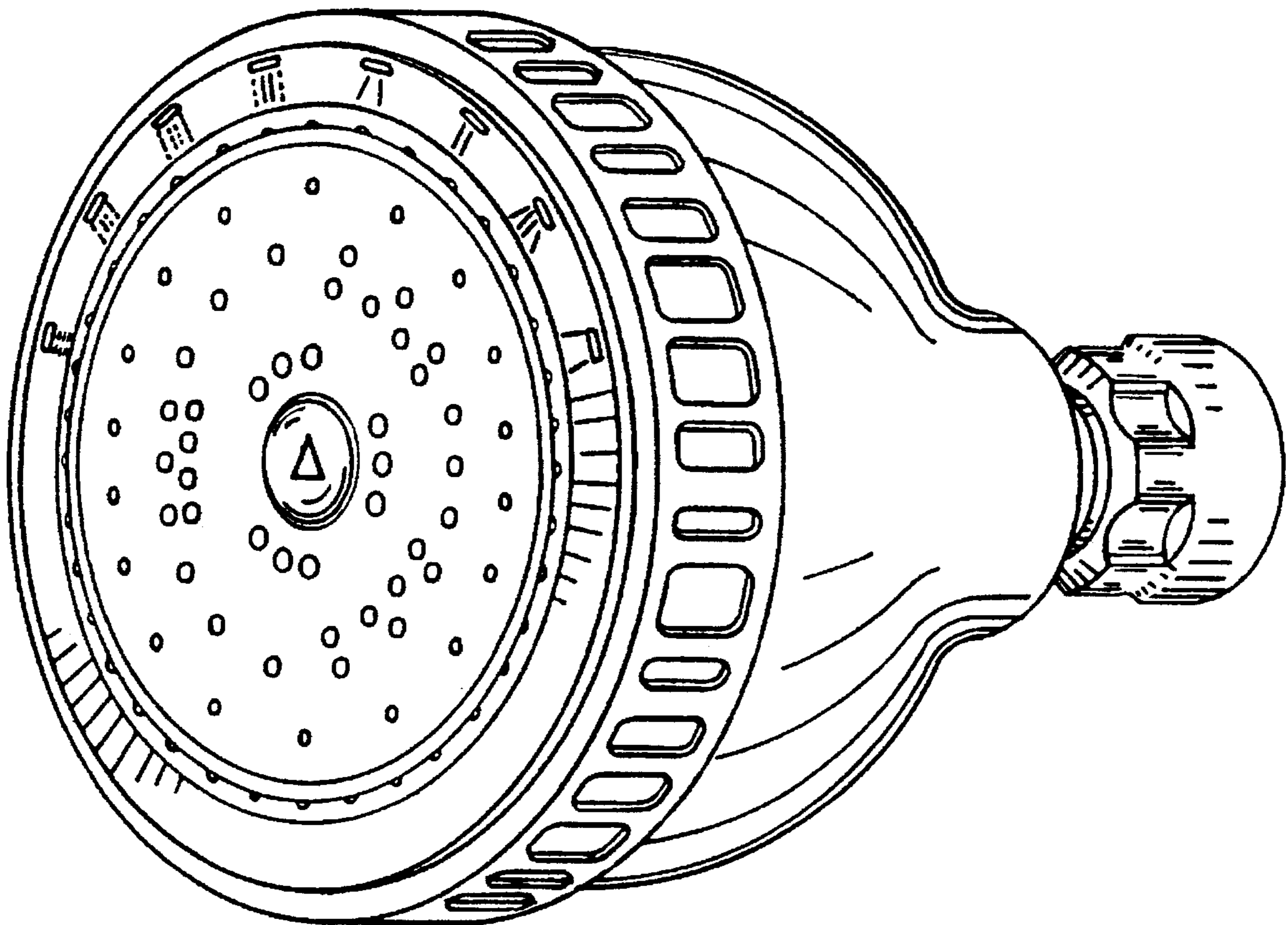
FIG. 6 is a perspective view of the inventive shower head.

[56] **References Cited**

U.S. PATENT DOCUMENTS

D. 115,795 7/1939 Reinecke D23/230
D. 315,015 2/1991 Geneve D23/229
D. 315,393 3/1991 Presman D23/213

1 Claim, 3 Drawing Sheets



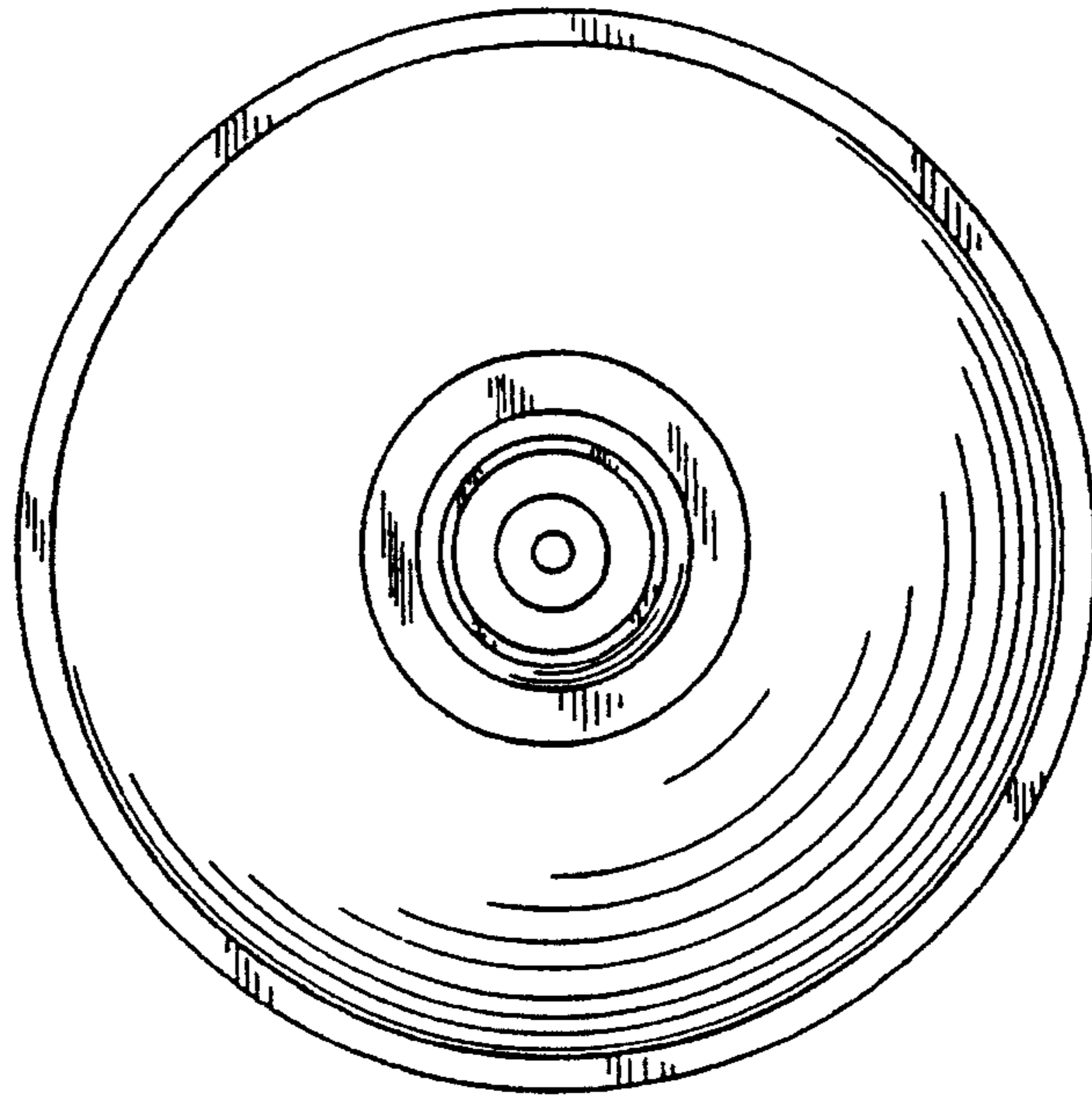


FIG. 1

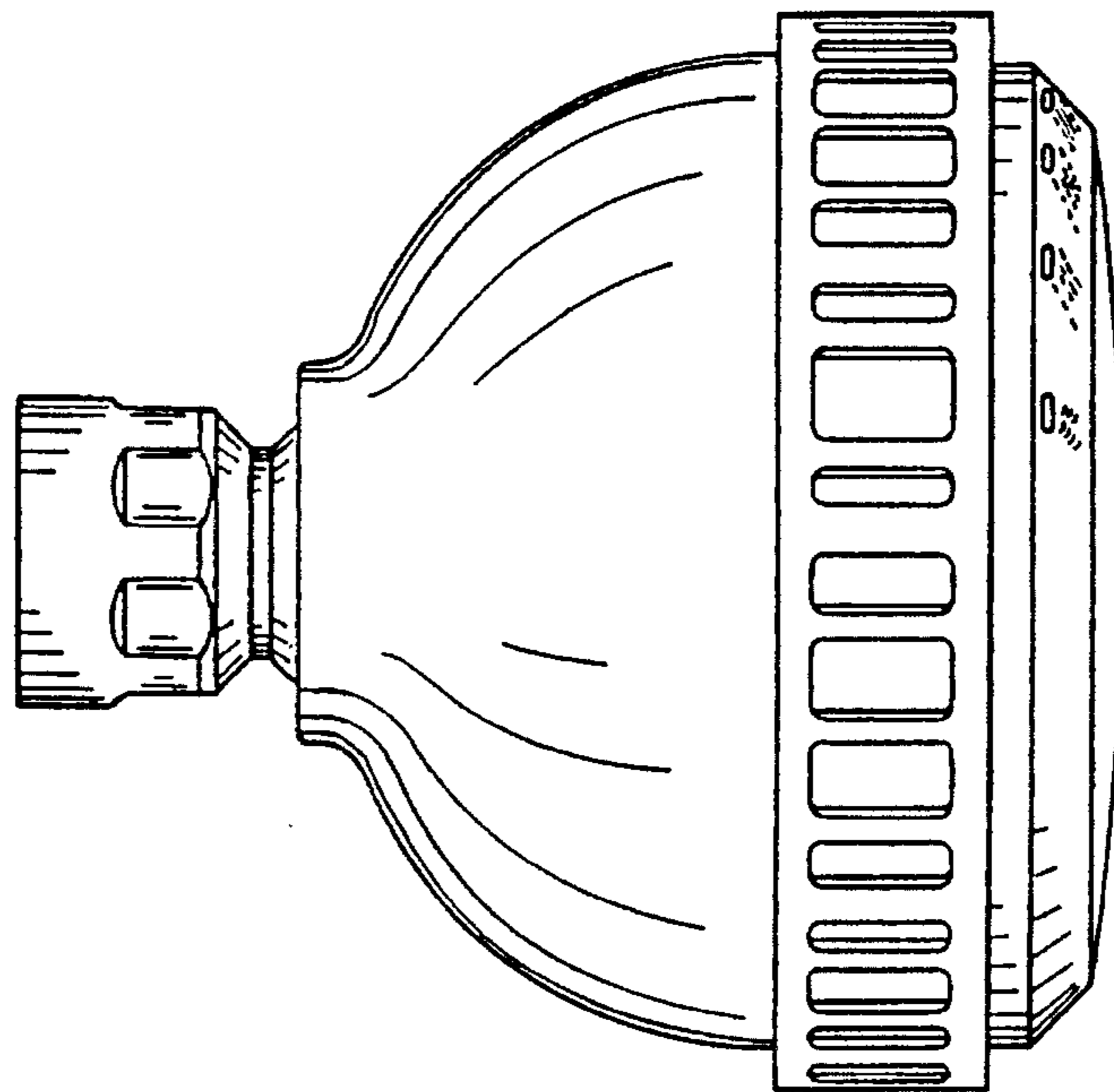


FIG. 2

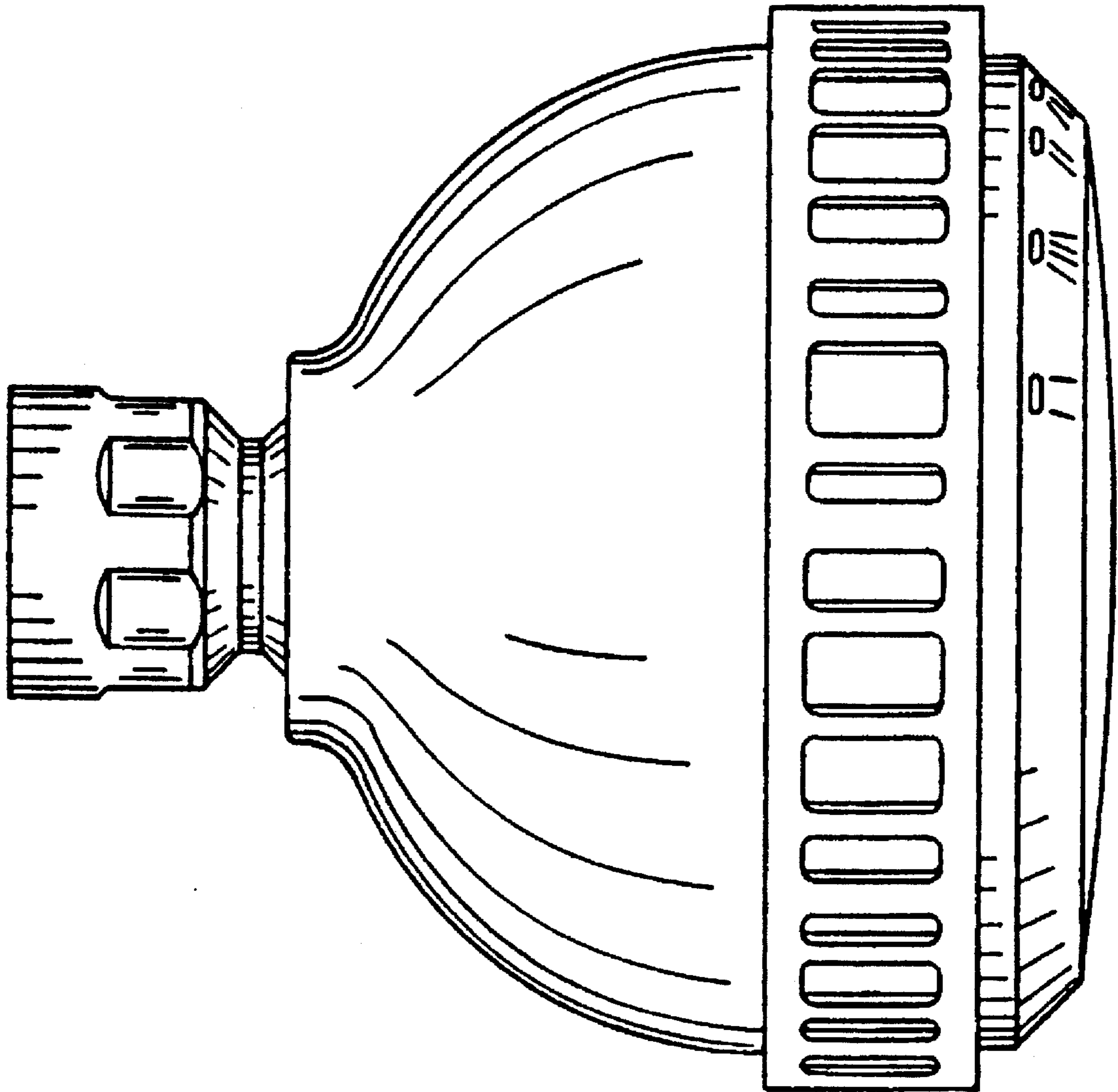


FIG. 3

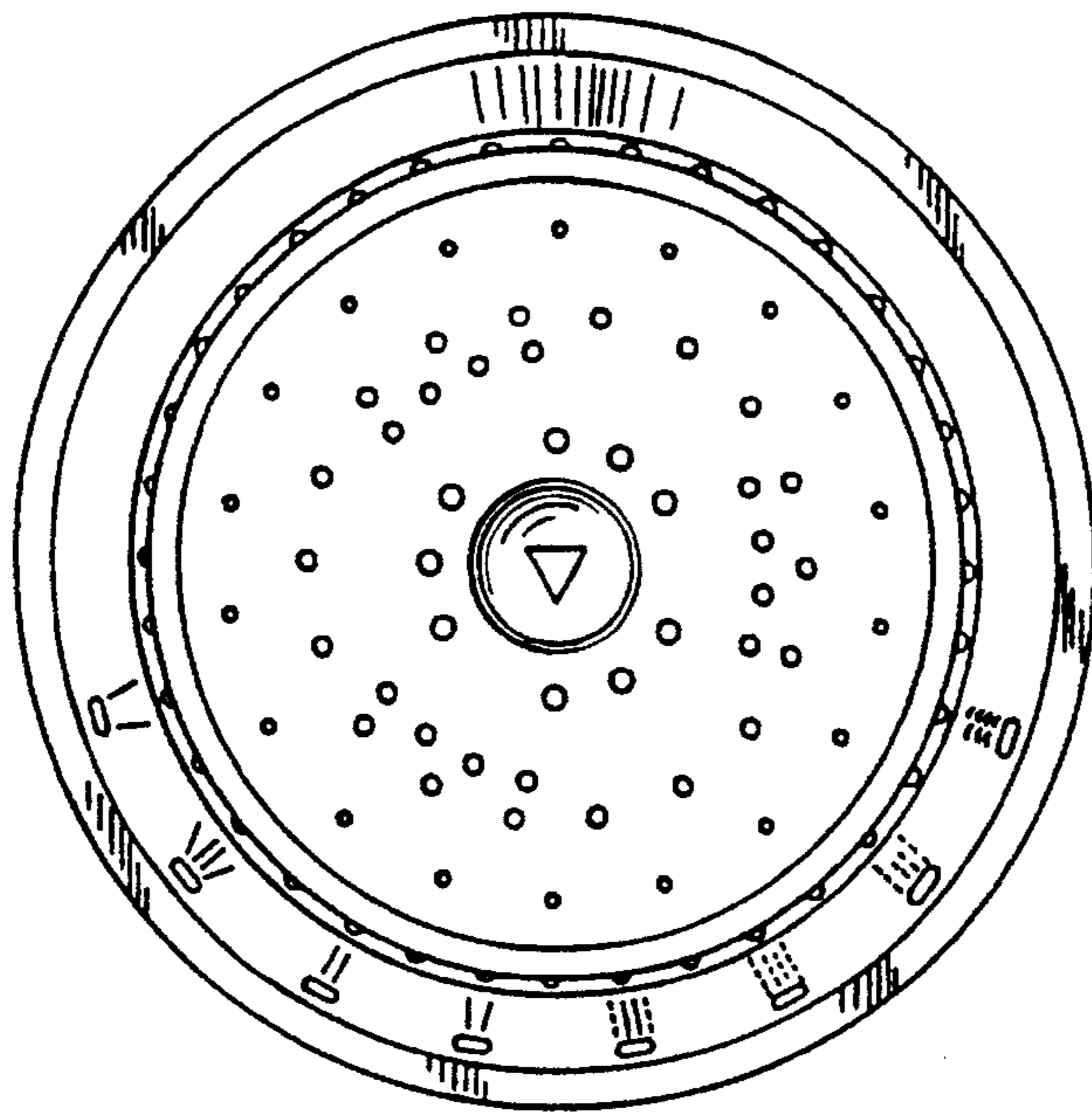


FIG. 4

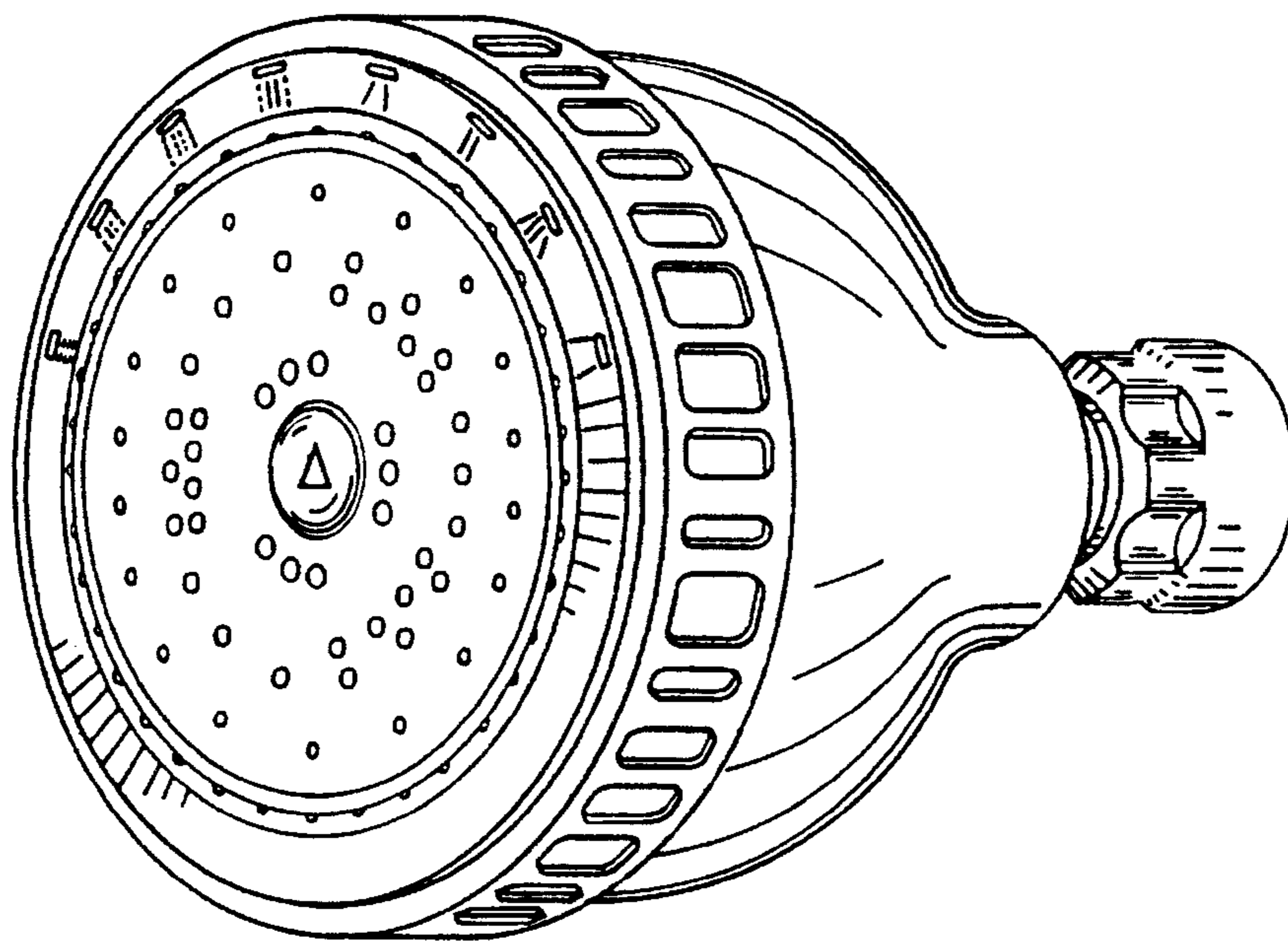


FIG. 5