



US00D374063S

# United States Patent [19]

[11] Patent Number: **Des. 374,063**

**Brancazio et al.**

[45] Date of Patent: **\*\*Sep. 24, 1996**

[54] **PLATFORM FOR WATER PURIFIER**

D. 227,565	7/1973	Ehret .....	D23/209
D. 235,143	5/1975	Ehret .....	D23/209
4,504,387	3/1985	Lemire et al. .	
4,662,387	5/1987	King, Sr. .	
4,935,116	6/1990	Lemire .	

[75] Inventors: **Diane M. Brancazio**, Cambridge;  
**Susannah E. Gardner**, Brookline;  
**Matthew D. Hern**, Boston, all of  
Mass.; **Francis M. Lubrano**,  
Narragansett; **David A. Snow**,  
Barrington, both of R.I.; **David M.**  
**Sykes**, Cambridge, Mass.

[73] Assignee: **Fountainhead Technologies**,  
Providence, R.I.

[\*\*] Term: **14 Years**

[21] Appl. No.: **37,955**

[22] Filed: **Apr. 25, 1995**

### Related U.S. Application Data

[63] Continuation-in-part of Ser. No. 30,668, Nov. 4, 1994,  
abandoned, and a continuation-in-part of Ser. No. 30,686,  
Nov. 4, 1994, abandoned.

[52] U.S. Cl. .... **D23/209**

[58] Field of Search ..... D23/200, 207,  
D23/209; 210/446, 282, 459, 460, 263,  
264

### [56] References Cited

#### U.S. PATENT DOCUMENTS

D. 220,263 3/1971 Hughes ..... D23/209

### OTHER PUBLICATIONS

commercial prior art water purifier (photographs attached).

*Primary Examiner*—A. Hugo Word

*Assistant Examiner*—Robin V. Taylor

*Attorney, Agent, or Firm*—Fish & Richardson P.C.

### [57] CLAIM

The ornamental design for a platform for water purifier, as shown and described.

### DESCRIPTION

FIG. 1 is a perspective view of a platform for water purifier showing our new design, the broken line showing of a cover is for illustrative purposes only and forms no part of the claimed design;

FIG. 2 is a side elevation view thereof;

FIG. 3 is a side elevation view thereof, opposite that shown in FIG. 2;

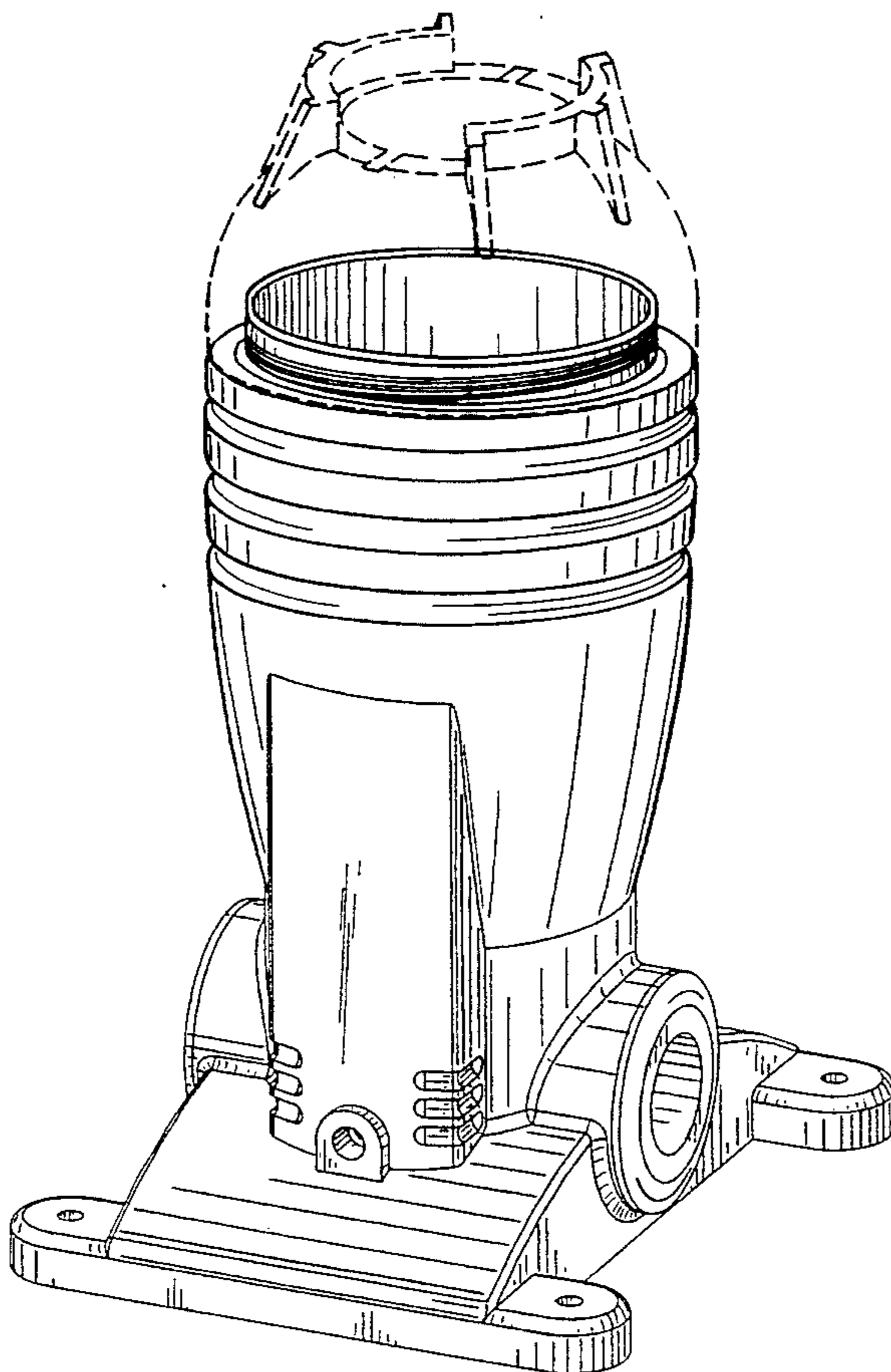
FIG. 4 is a front elevation view thereof;

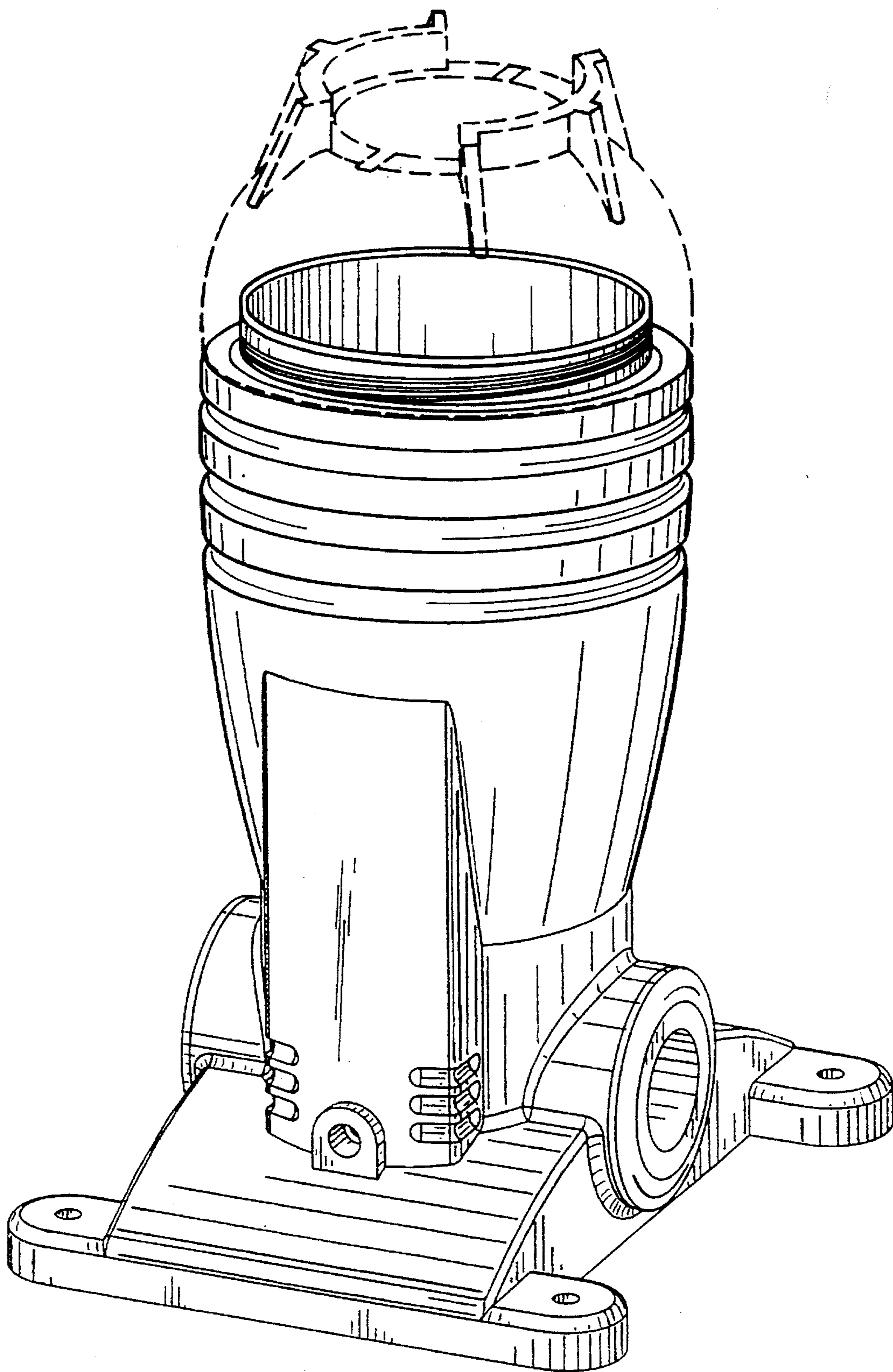
FIG. 5 is a rear elevation view thereof;

FIG. 6 is a top plan view thereof; and,

FIG. 7 is a bottom plan view thereof.

**1 Claim, 4 Drawing Sheets**





**FIG. 1**

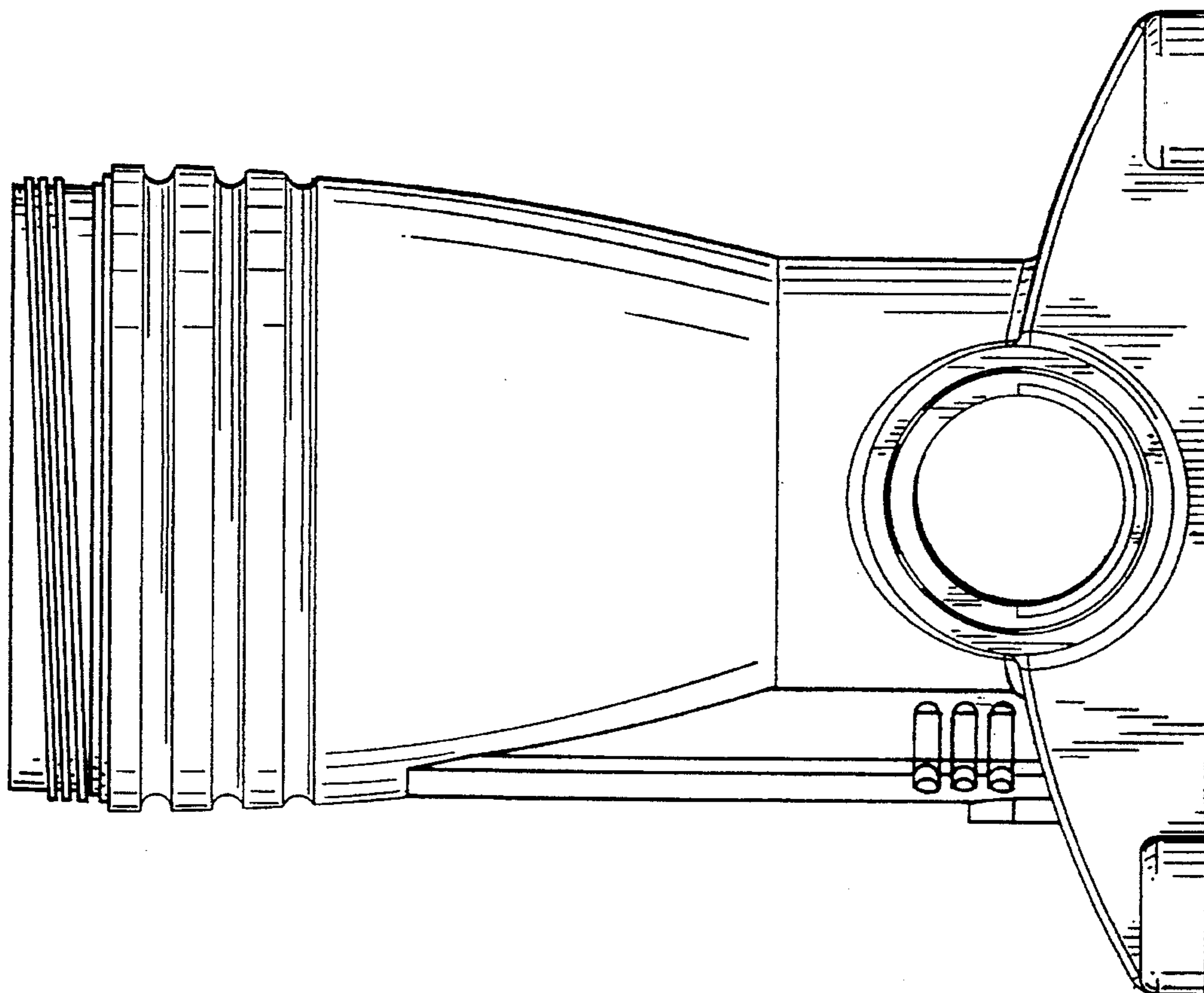


FIG. 3

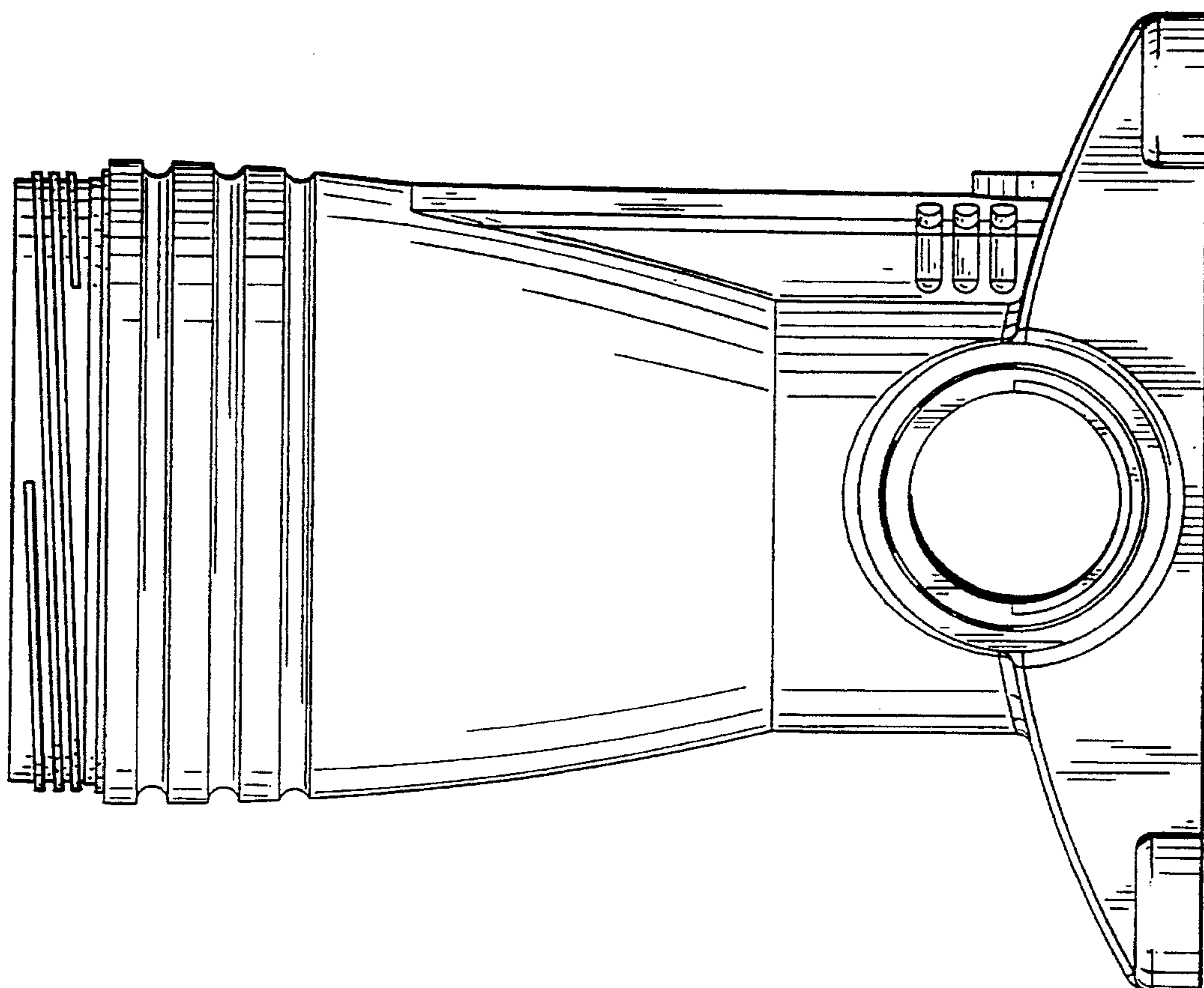


FIG. 2



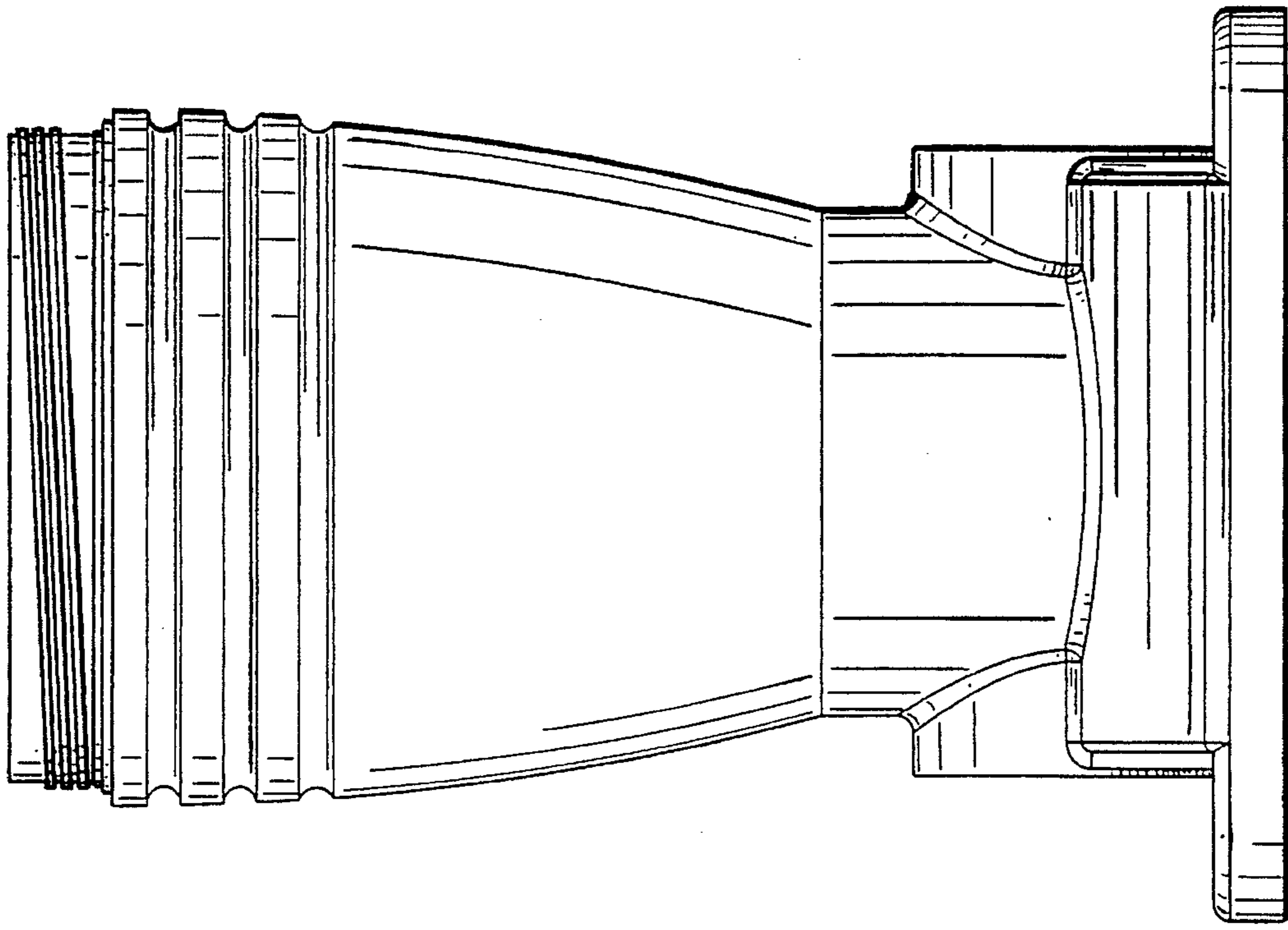


FIG. 5

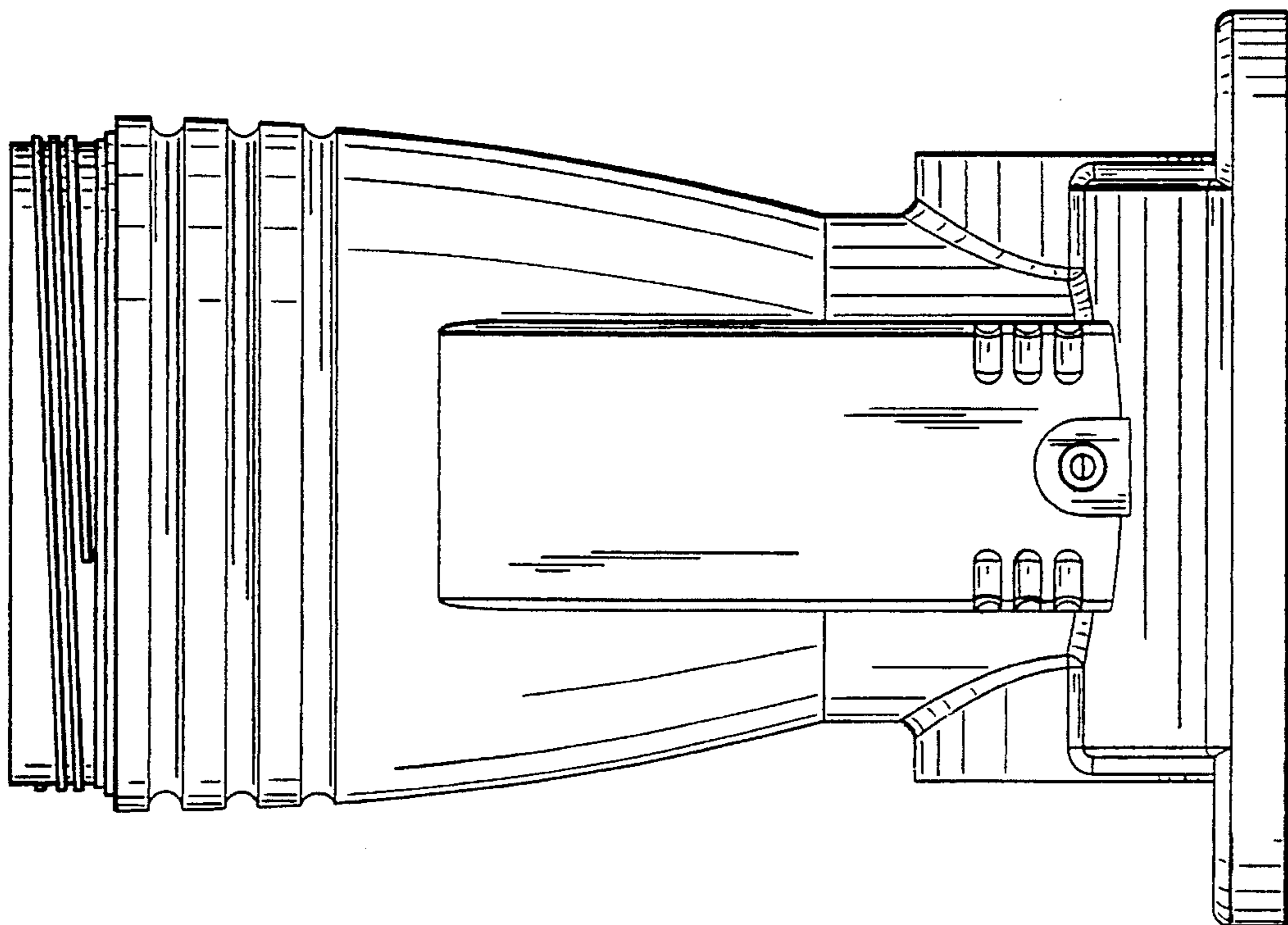


FIG. 4

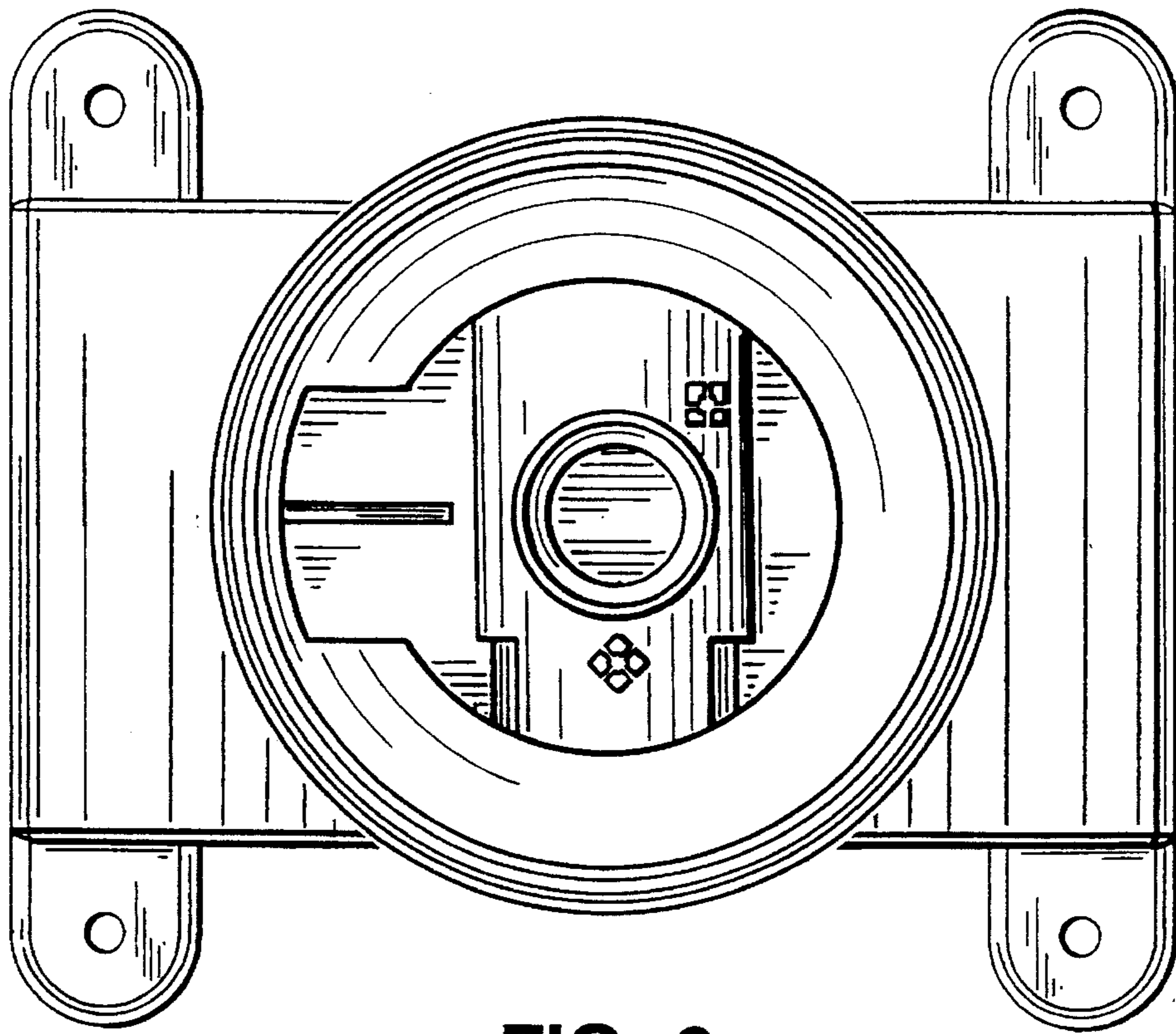


FIG. 6

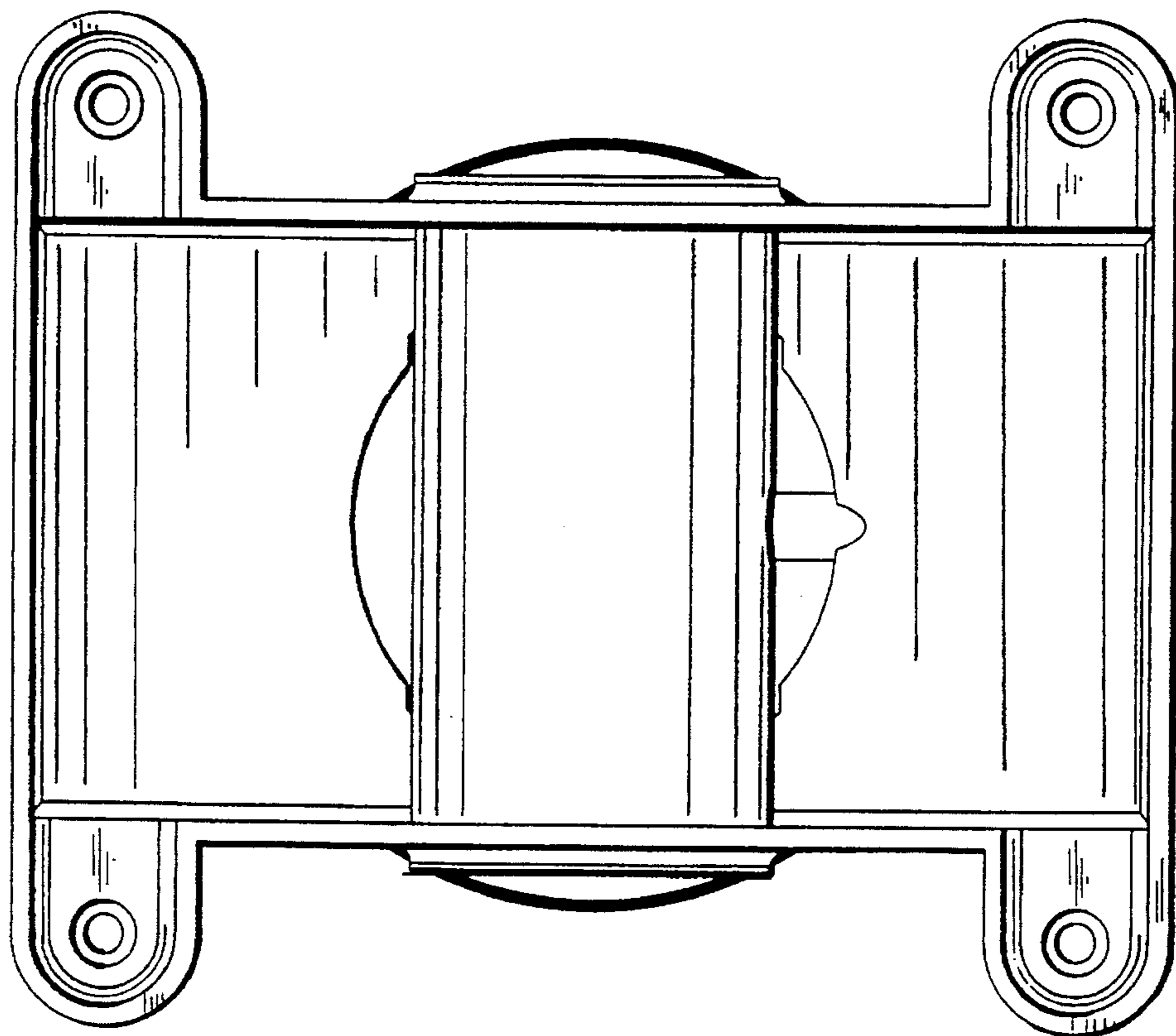


FIG. 7