



US00D374058S

# United States Patent [19] Lindquist, II

[11] Patent Number: **Des. 374,058**

[45] Date of Patent: **\*\*Sep. 24, 1996**

[54] **FISHING ROD WRAPPING TOOL BASE**

[76] Inventor: **Charles A. Lindquist, II**, N. 5736  
Walnut, Spokane, Wash. 99205

[\*\*] Term: **14 Years**

[21] Appl. No.: **34,105**

[22] Filed: **Jan. 27, 1995**

[52] U.S. Cl. .... **D22/134**

[58] Field of Search ..... D22/134, 149,  
D22/108; 43/1; 242/7.19, 47

Fiberglass Rod Making by Dale Clemens, ©1974, p. 47,  
Homemade Wrapper.

*Primary Examiner*—Doris V. Coles  
*Attorney, Agent, or Firm*—Wells, St. John, Roberts, Gregory  
& Matkin P.S.

### [57] CLAIM

The ornamental design for a fishing rod wrapping tool base,  
as shown and described.

### DESCRIPTION

FIG. 1 is a perspective view of a fishing rod wrapping tool  
base showing my new design;

FIG. 2 is a top plan view thereof;

FIG. 3 is a front elevation view thereof;

FIG. 4 is a rear elevation view thereof;

FIG. 5 is a right side elevation view thereof, the opposed left  
side being a mirror image of the right side;

FIG. 6 is a bottom plan view thereof; and,

FIG. 7 is a perspective view similar to FIG. 1 but without the  
broken line showing of environmental structure.

The broken line showing is for illustrative purposes only to  
indicate environmental structure and forms no part of the  
claimed design.

### [56] References Cited

#### U.S. PATENT DOCUMENTS

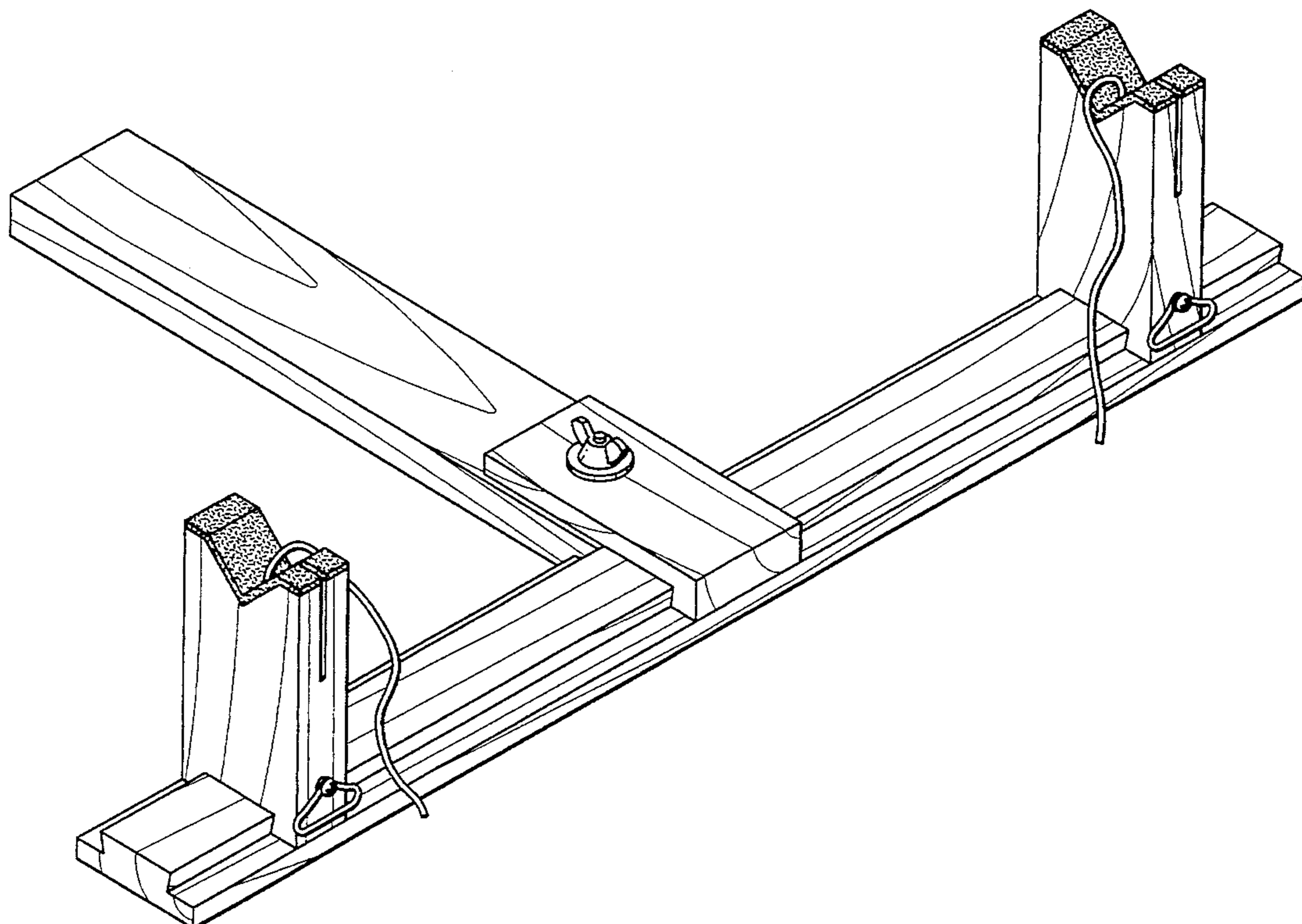
D. 346,003	4/1994	Anderson	.....	D22/108
2,430,892	11/1947	Tirrell	.....	242/7.19
2,486,739	11/1949	Foster	.....	242/7.19
2,556,827	6/1951	Striano	.....	242/7.19
2,564,016	8/1951	Maddic	.....	242/7.19
2,609,155	9/1952	Fosnaugh	.....	242/7.19
2,640,653	6/1953	Wodetzky	.....	242/7.19
2,989,255	6/1961	Smith, Jr.	.....	242/7.19
3,197,148	7/1965	Edick	.....	242/7.19
3,448,506	6/1969	Bishop et al.	.....	242/7.19
3,642,215	2/1972	Bishop et al.	.....	242/7.19
4,279,684	7/1981	Mason	.....	242/7.19
4,315,606	2/1982	Seiders	.....	242/7.19
4,442,981	4/1984	Cope	.....	242/7.19

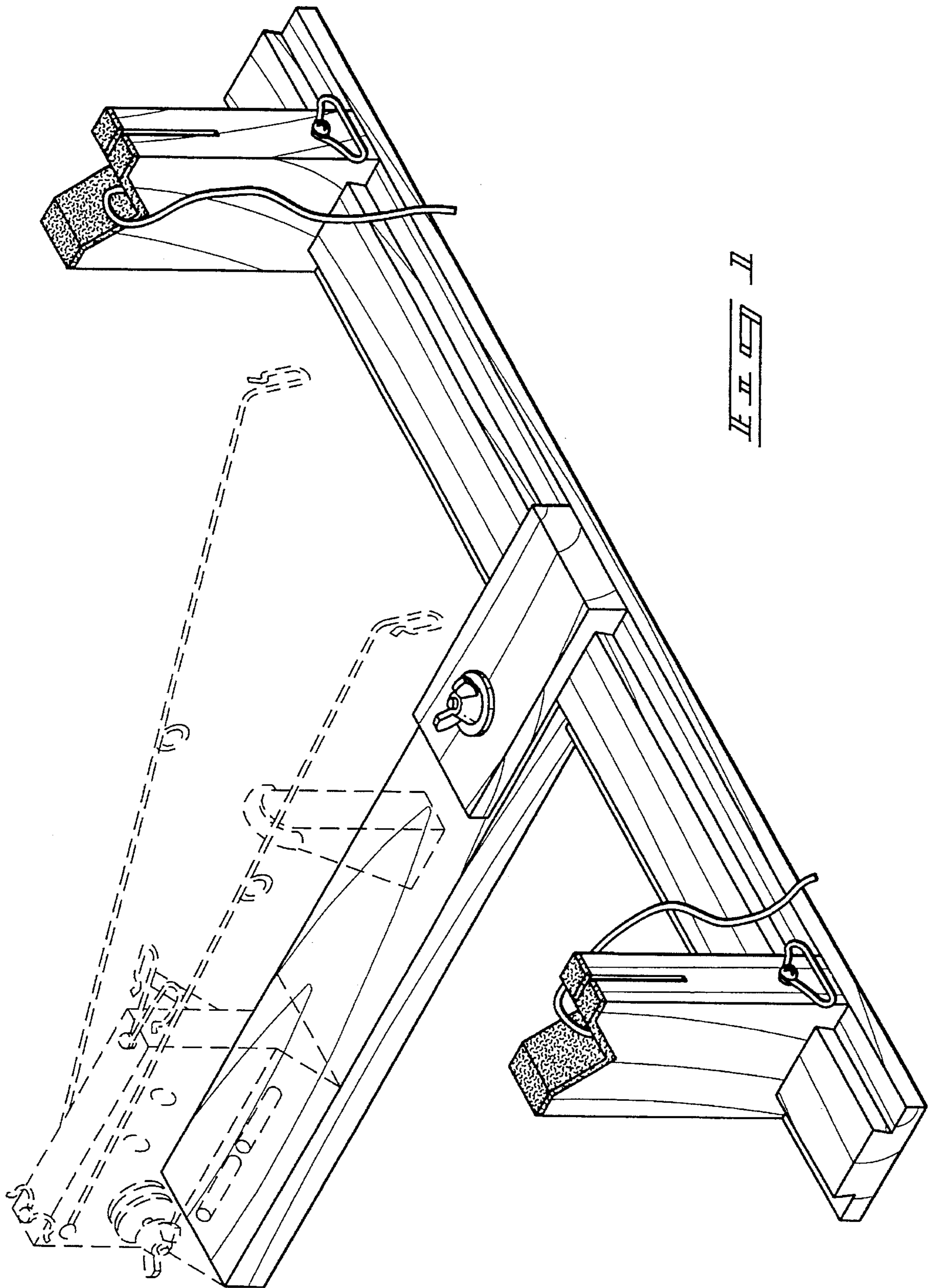
#### OTHER PUBLICATIONS

“Shoff’s Custom Tackle—1995 Rod Building Catalog”, pp.  
40–41.

Cabela’s Spring 1993, p. 97 Deluxe Wooden Rod Wrapper  
& Deluxe Professional Rod Wrapper.

**1 Claim, 6 Drawing Sheets**





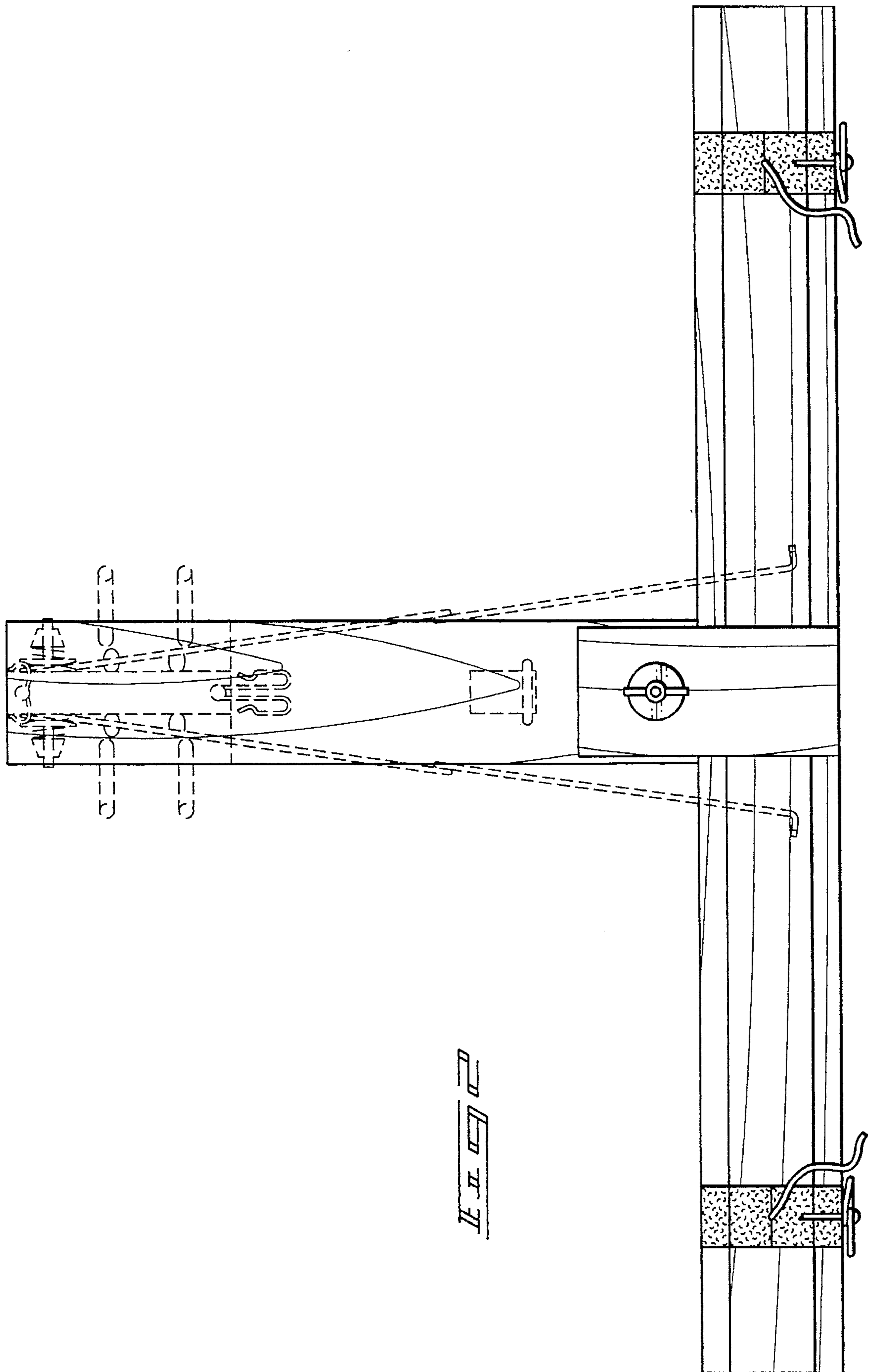
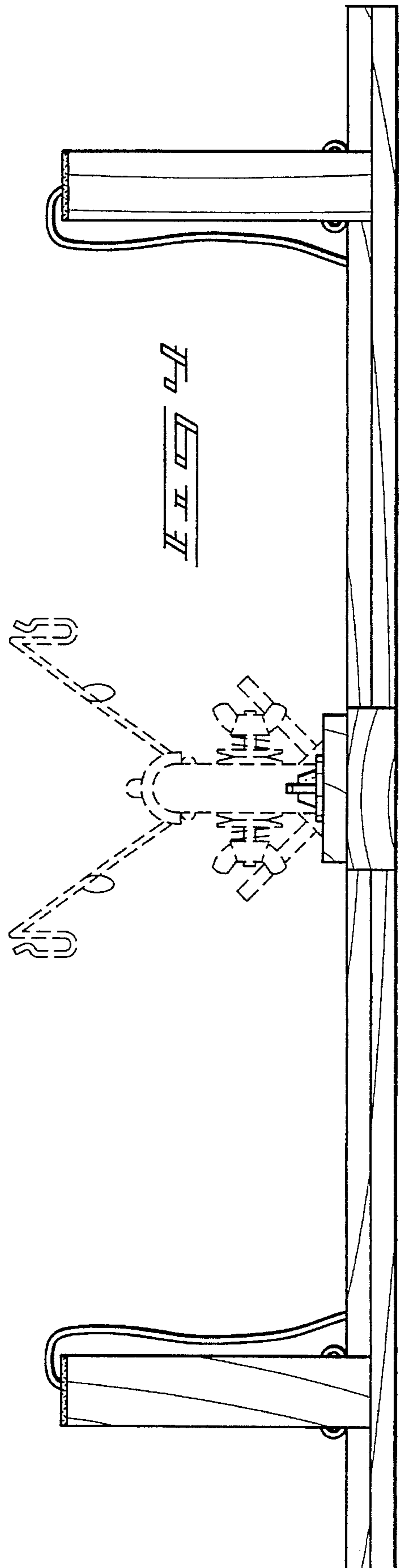
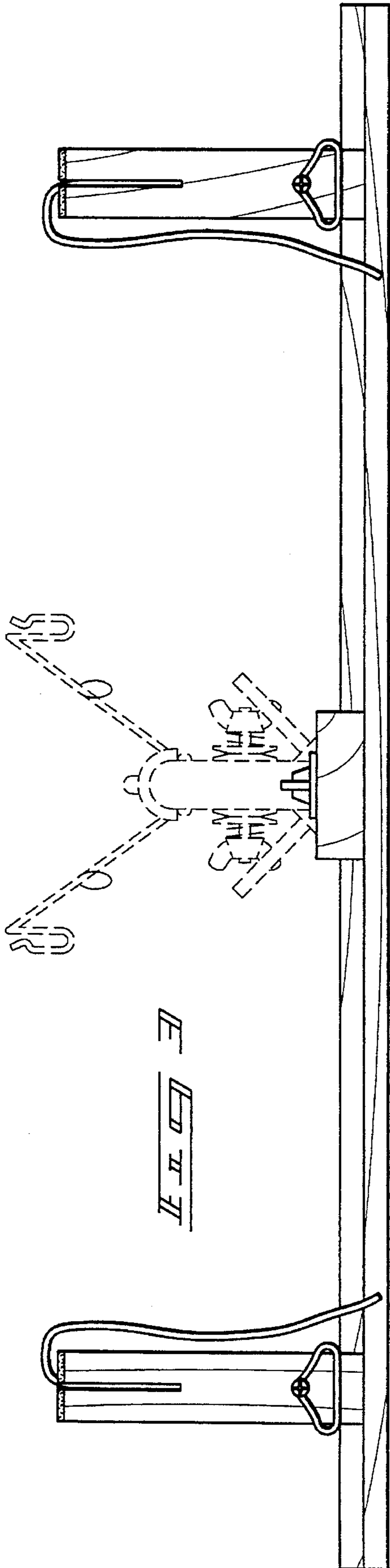


FIG. 2



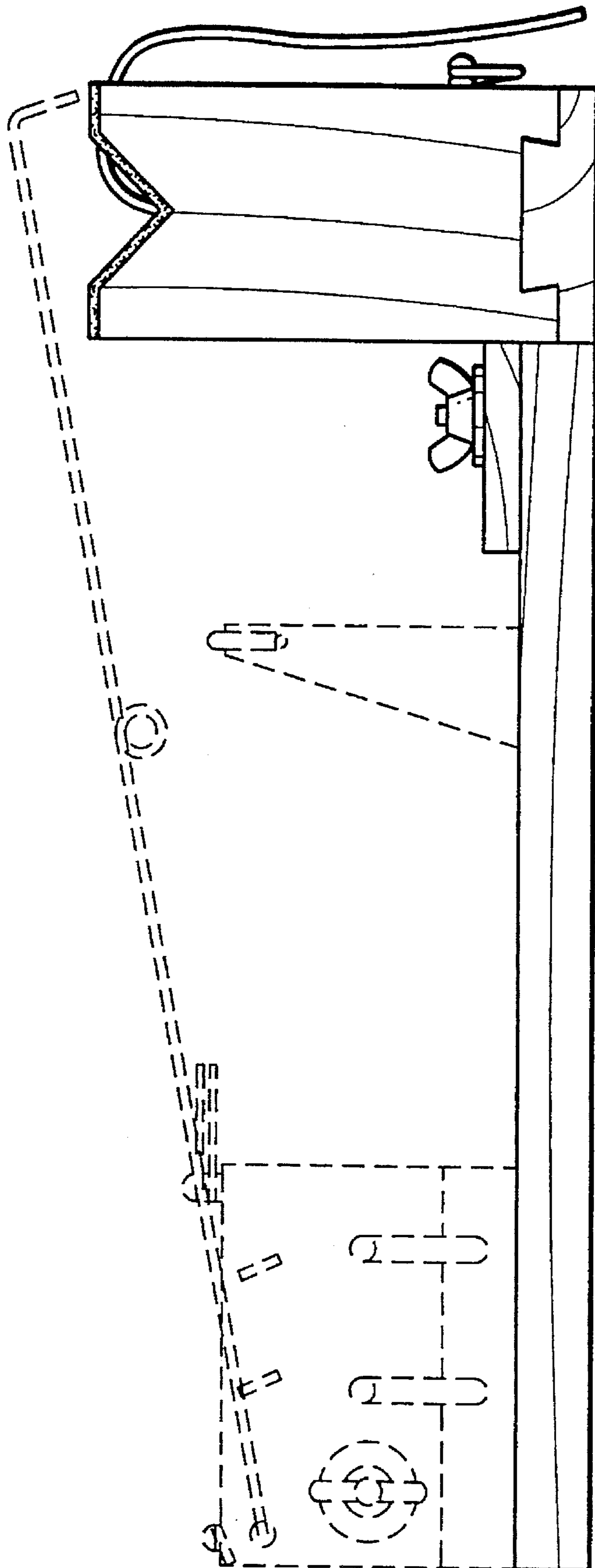


FIG. 4

