



US00D374057S

# United States Patent [19]

[11] Patent Number: **Des. 374,057**

Demarest et al.

[45] Date of Patent: **\*\*\* Sep. 24, 1996**

[54] **INSERT TRAY FOR AN INSECT TRAP**

[75] Inventors: **Scott W. Demarest**, Caledonia; **Donald E. McCumber**, Madison; **Joseph E. Reimer**, Oregon, all of Wis.

[73] Assignee: **S. C. Johnson & Son, Inc.**, Racine, Wis.

[\*] Notice: The portion of the term of this patent subsequent to Apr. 18, 2009, has been disclaimed.

[\*\*] Term: **14 Years**

[21] Appl. No.: **37,921**

[22] Filed: **Apr. 5, 1995**

[52] U.S. Cl. .... **D22/122**

[58] Field of Search ..... D22/119, 122, D22/123; D3/304; 206/557; 43/107, 110, 114, 115, 116, 121, 131, 132

[56] **References Cited**

**U.S. PATENT DOCUMENTS**

D. 303,310 9/1989 Ross ..... D3/304

D. 349,745	8/1994	Vaudry .....	D22/122
D. 357,355	4/1995	Demarest, et al. ....	D3/304
393,273	11/1888	Thum et al. .	
762,839	6/1904	Nostrand et al. .	
4,395,842	8/1983	Margulies .....	43/114
4,730,760	3/1988	Keller .....	206/557 X
4,823,506	4/1989	Demarest et al. ....	43/131
5,119,586	6/1992	Townsend .....	43/114
5,251,397	10/1993	Exum et al. ....	43/115

*Primary Examiner*—Doris V. Coles

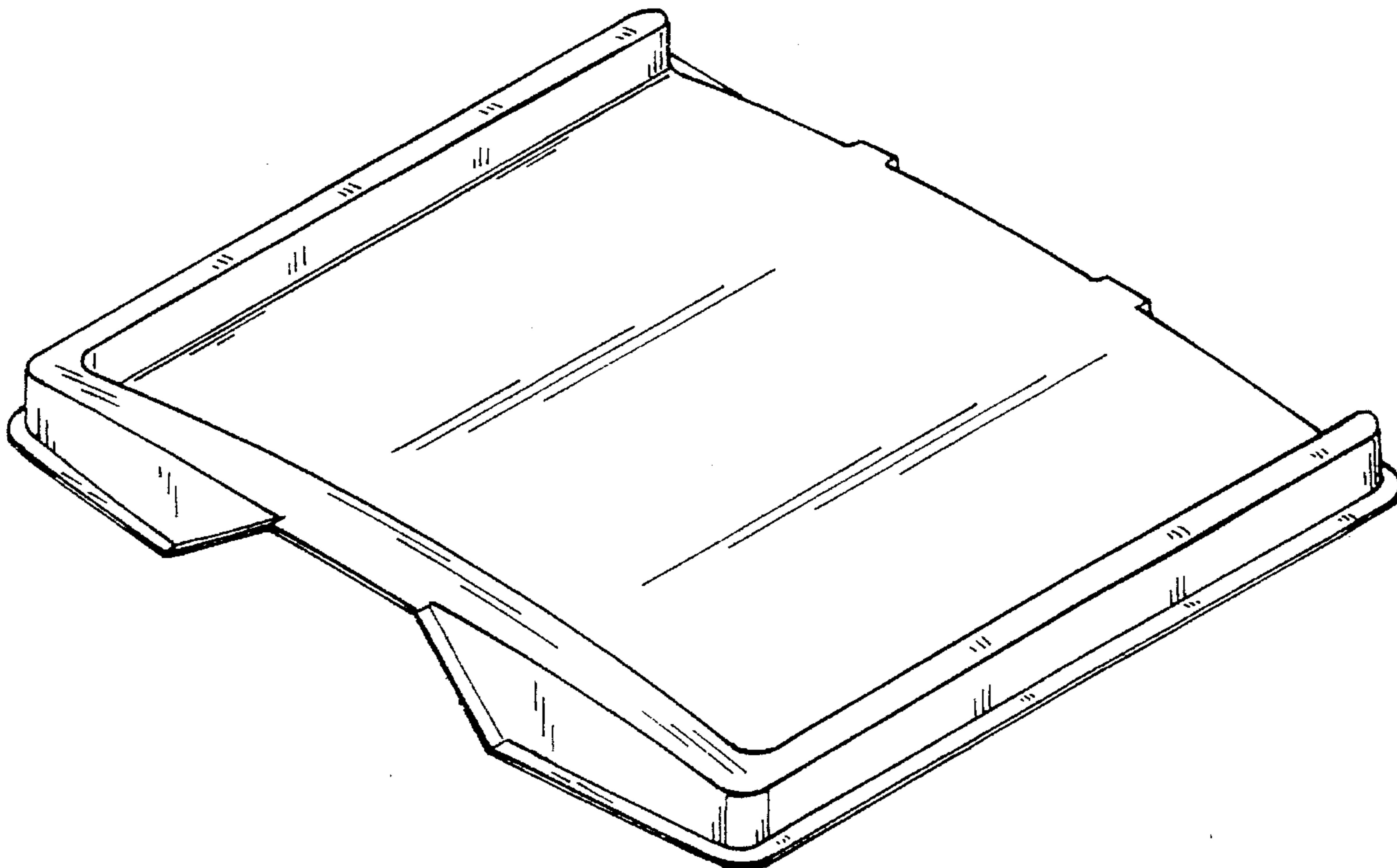
[57] **CLAIM**

The ornamental design for an insert tray for an insect trap, as shown and described.

**DESCRIPTION**

FIG. 1 is a front perspective view from above and to one side of an insert tray for an insect trap showing the new design; FIG. 2 is a top plan view thereof; FIG. 3 is a front elevational view thereof; FIG. 4 is a right side elevational view thereof, the left side elevational view being a mirror image thereof; FIG. 5 is a rear elevational view thereof; and, FIG. 6 is a bottom plan view thereof.

**1 Claim, 3 Drawing Sheets**



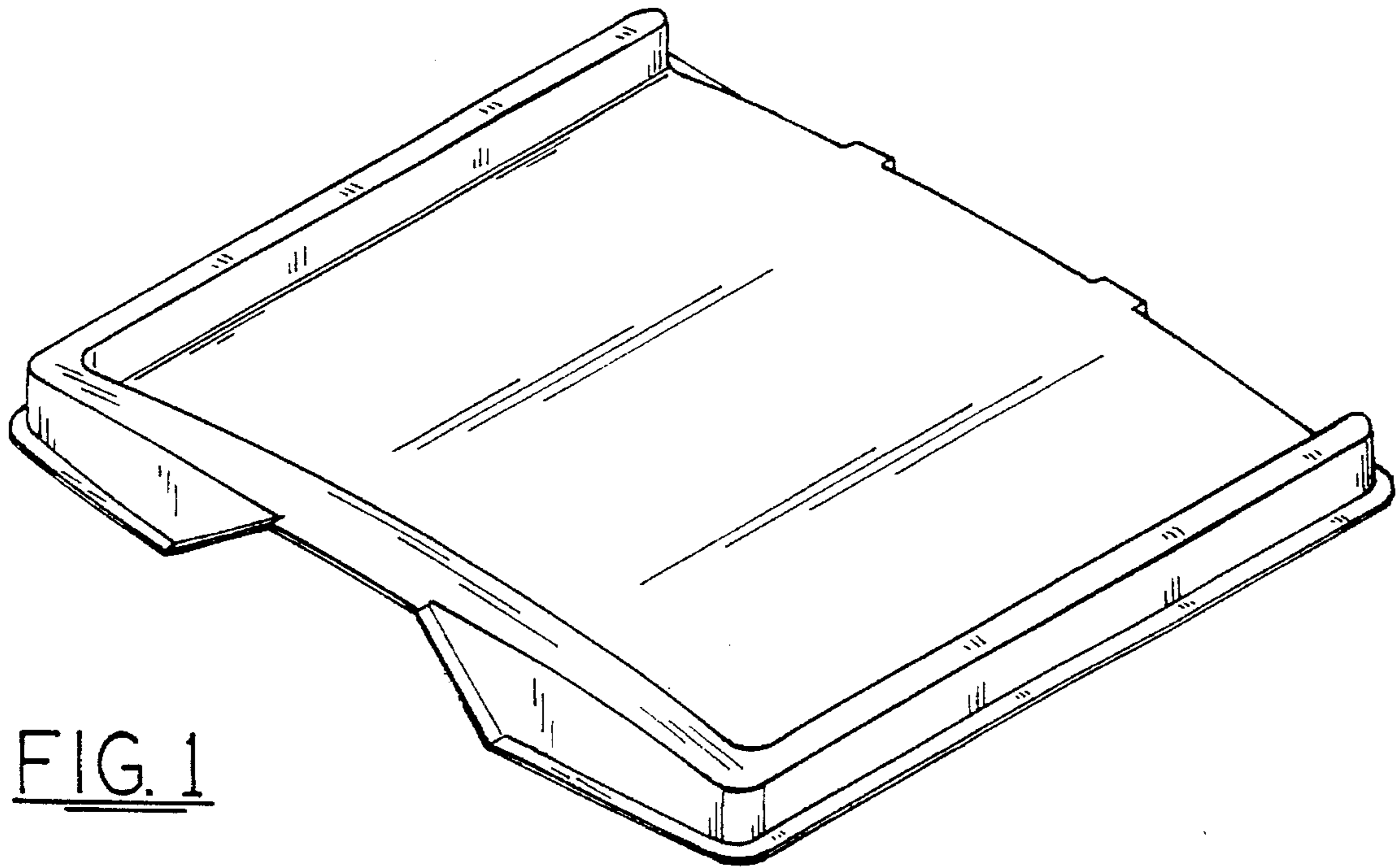


FIG. 1

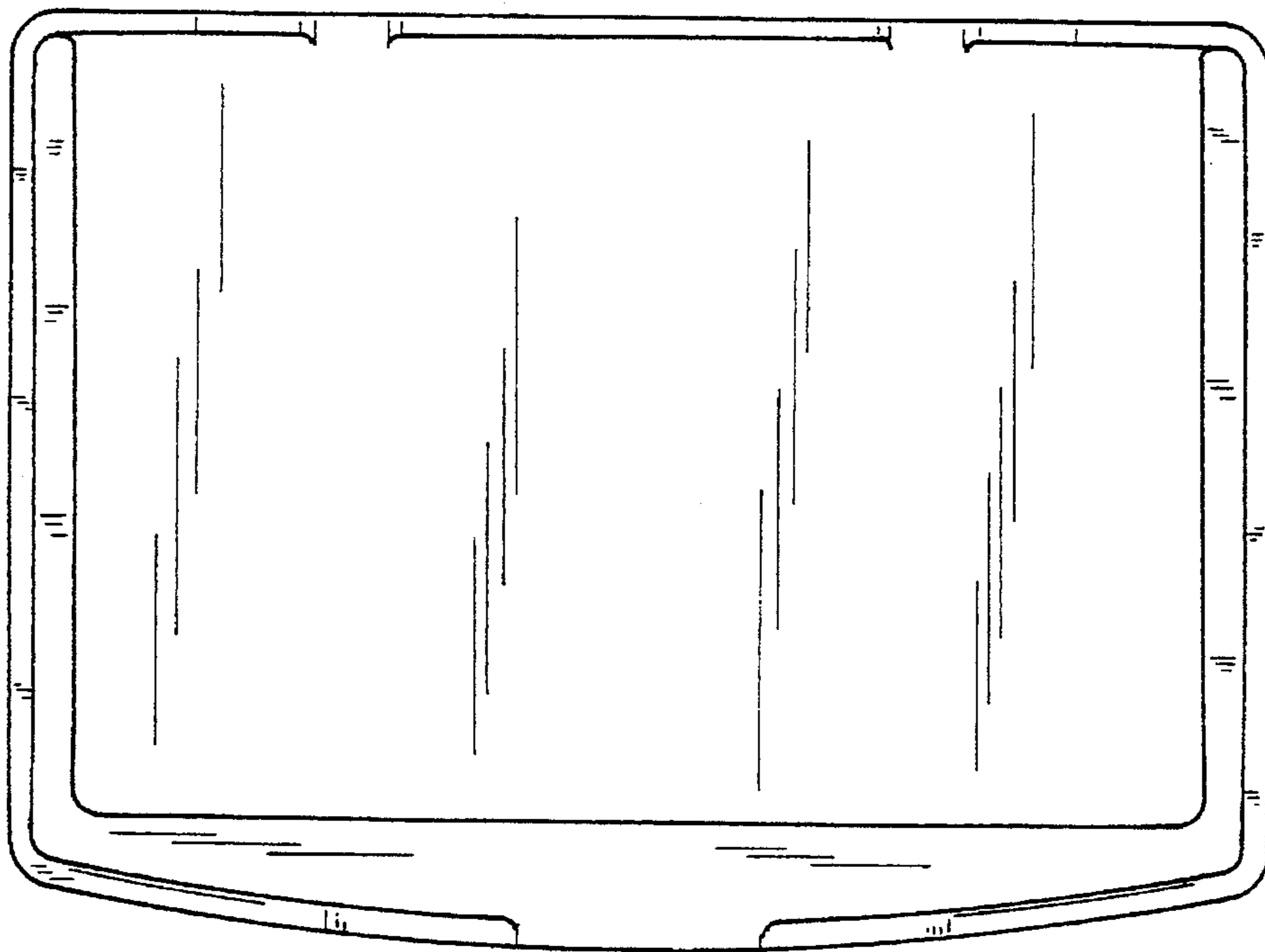


FIG. 2

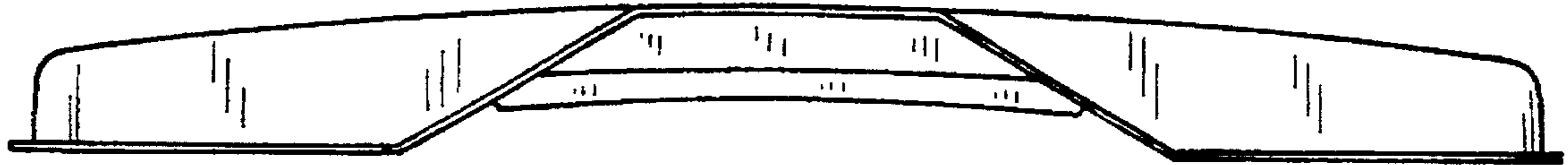


FIG. 3

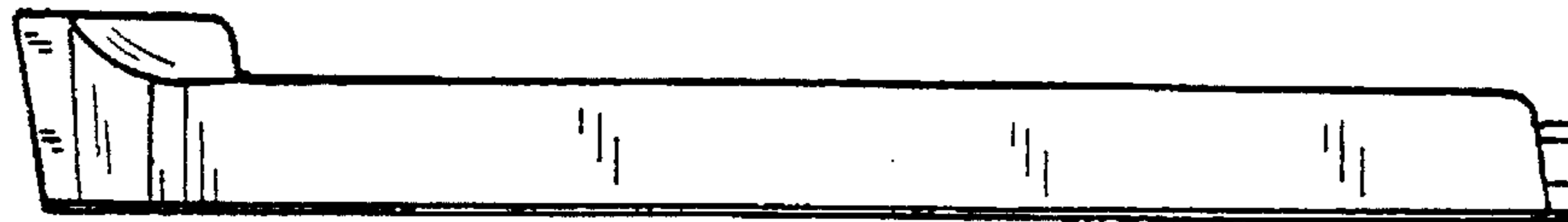


FIG. 4

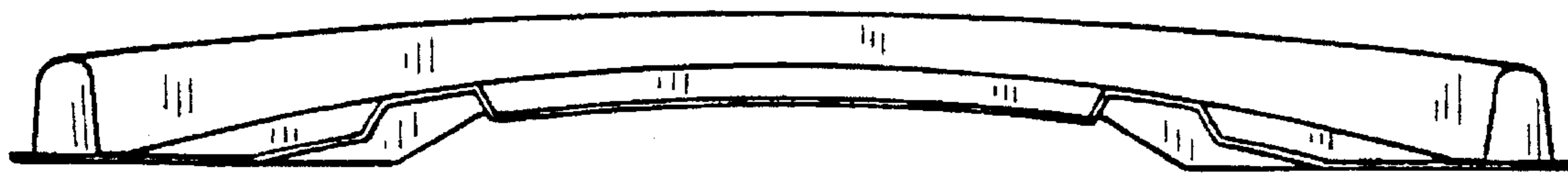


FIG. 5

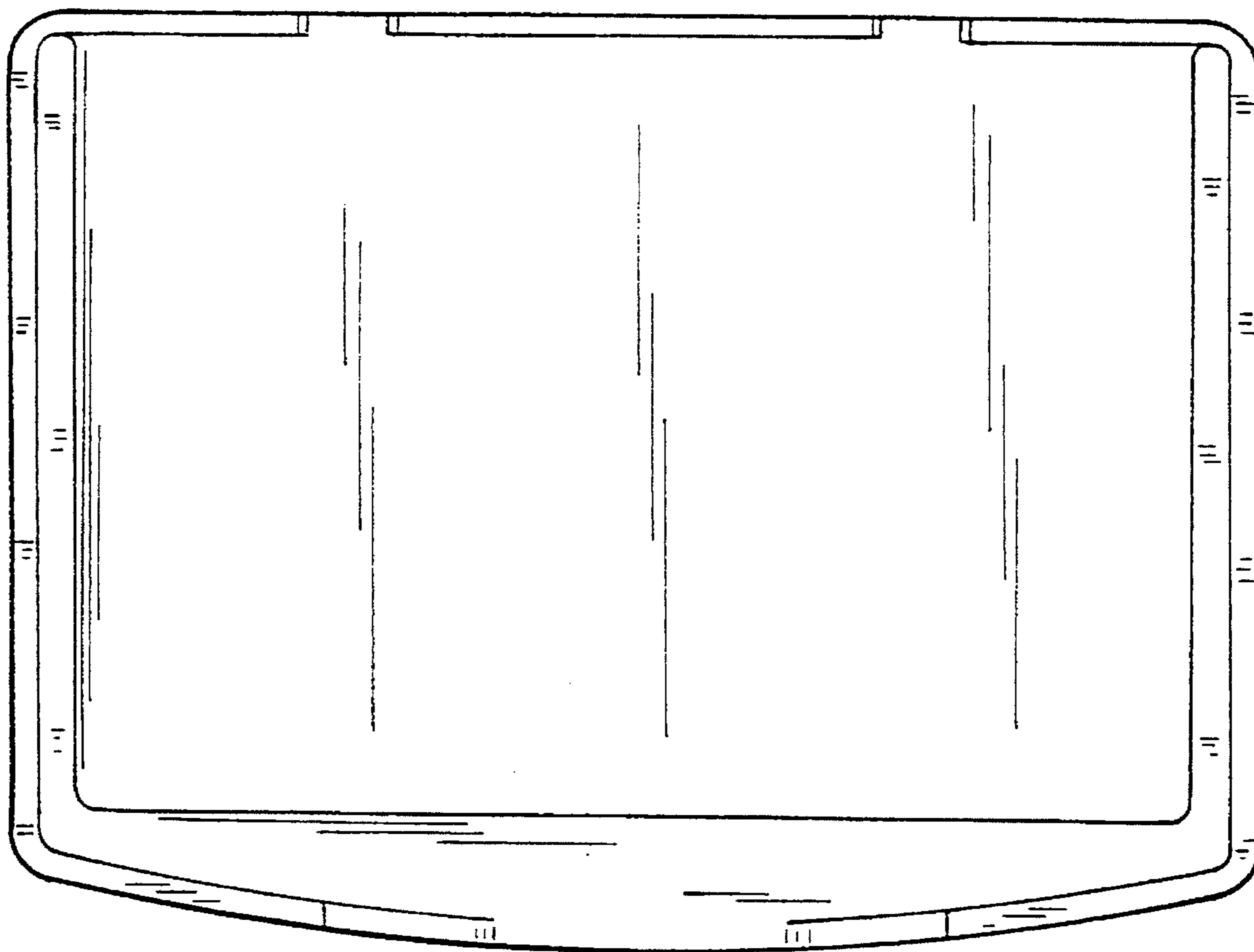


FIG. 6