



US00D374045S

United States Patent [19]
Ward, III

[11] **Patent Number: Des. 374,045**
[45] **Date of Patent: **Sep. 24, 1996**

[54] **EXERCISE DEVICE FOR PUSH-UPS**

5,330,408 7/1994 Westmoreland, Jr. 482/141
5,358,463 10/1994 Fuentes 482/141

[76] Inventor: **Robert T. Ward, III**, U.S.S. Cromelin
FFG-37, FPO AP, 46662-1492

Primary Examiner—Philip S. Hyder
Attorney, Agent, or Firm—Dennis H. Lambert

[**] Term: **14 Years**

[57] **CLAIM**

[21] Appl. No.: **40,630**

The ornamental design for an exercise device for push-ups,
as shown and described.

[22] Filed: **Jun. 22, 1995**

[52] U.S. Cl. **D21/191**

DESCRIPTION

[58] Field of Search D21/191, 198;
482/44, 141, 146, 147, 45, 46

FIG. 1 is a front, top and side perspective view of the
exercise device for push-ups embodying the new design;
FIG. 2 is a front elevational view thereof;
FIG. 3 is a rear elevational view thereof;
FIG. 4 is a side elevational view thereof, the side opposite
being a mirror image of the side shown in FIG. 4;
FIG. 5 is a top plan view thereof; and,
FIG. 6 is a bottom plan view thereof.

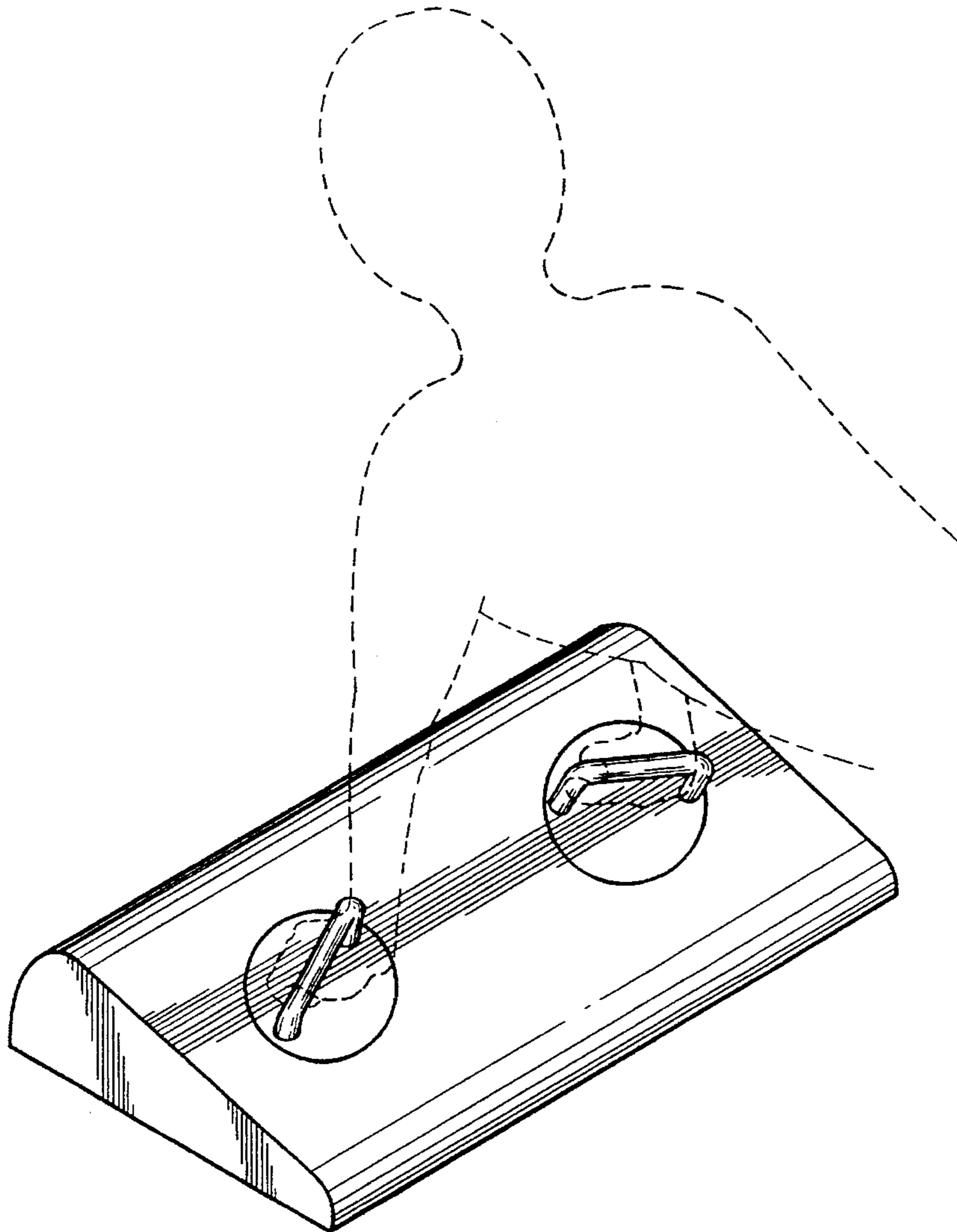
[56] **References Cited**

U.S. PATENT DOCUMENTS

D. 337,071	7/1993	Hogue	D21/191
3,115,338	12/1963	Acs et al.	482/141
4,351,525	9/1982	Rozenblad	482/141
4,610,448	9/1986	Hill	482/141
4,768,778	9/1988	Thomas, Jr.	482/141
5,205,802	4/1993	Swisher	482/141
5,226,868	7/1993	Montgomery	482/141
5,230,684	7/1993	Wallisch	482/141

The broken line showing of the person in FIG. 1 is for
illustrative purposes only and forms no part of the claimed
design.

1 Claim, 3 Drawing Sheets



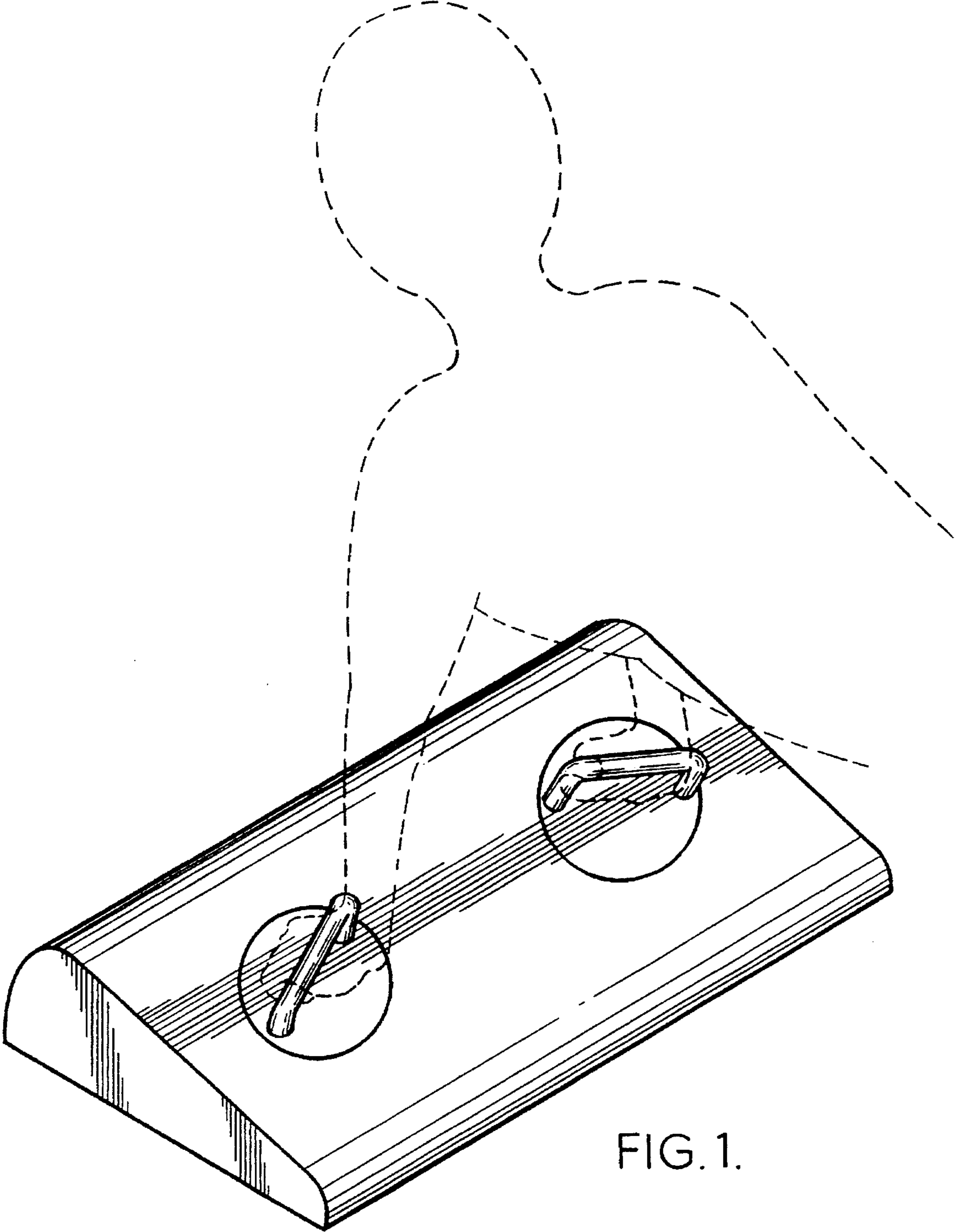


FIG. 2.

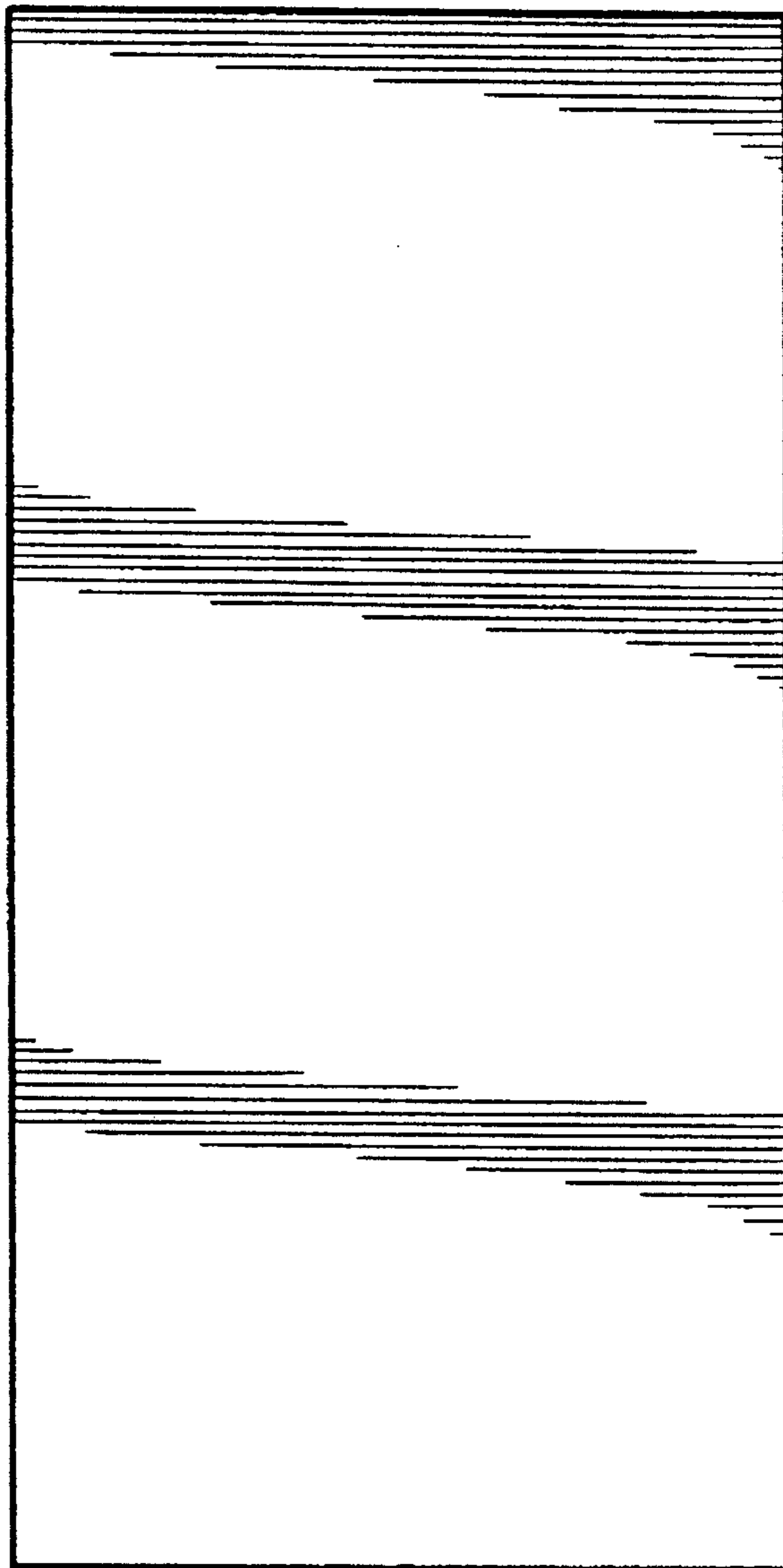
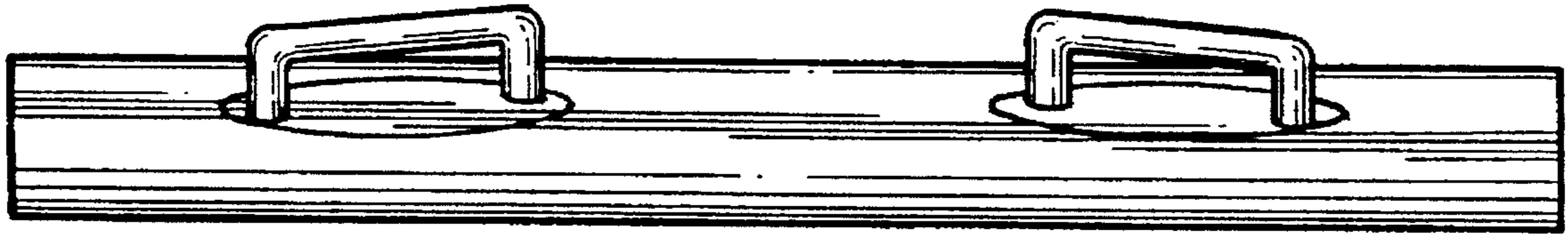


FIG. 6.

FIG. 3.

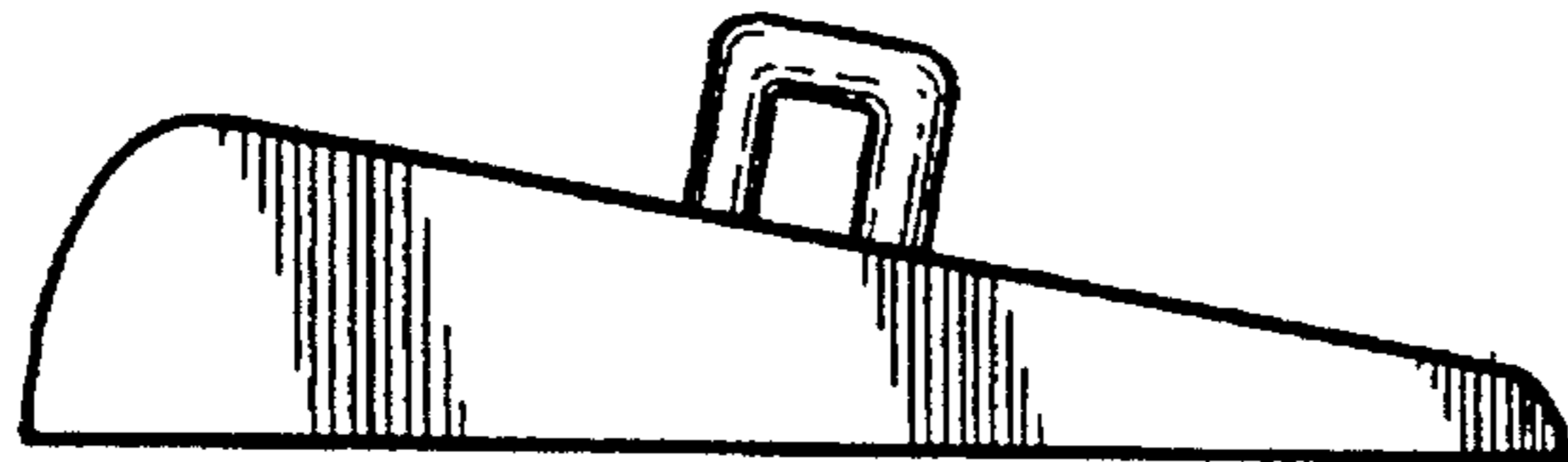
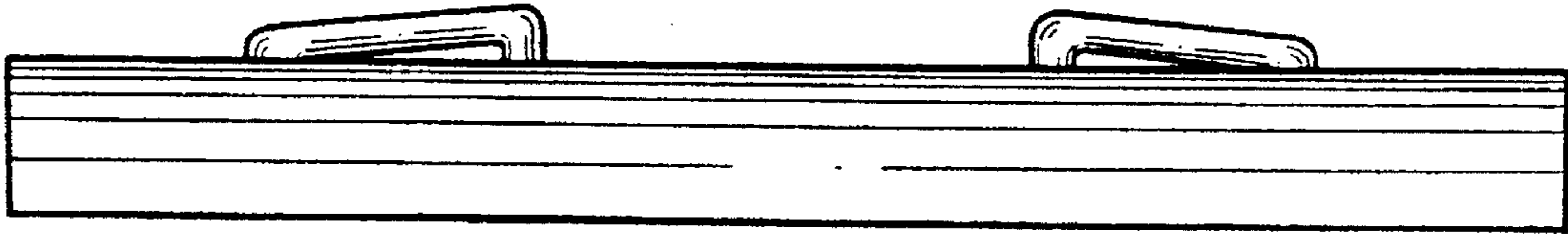


FIG. 4.

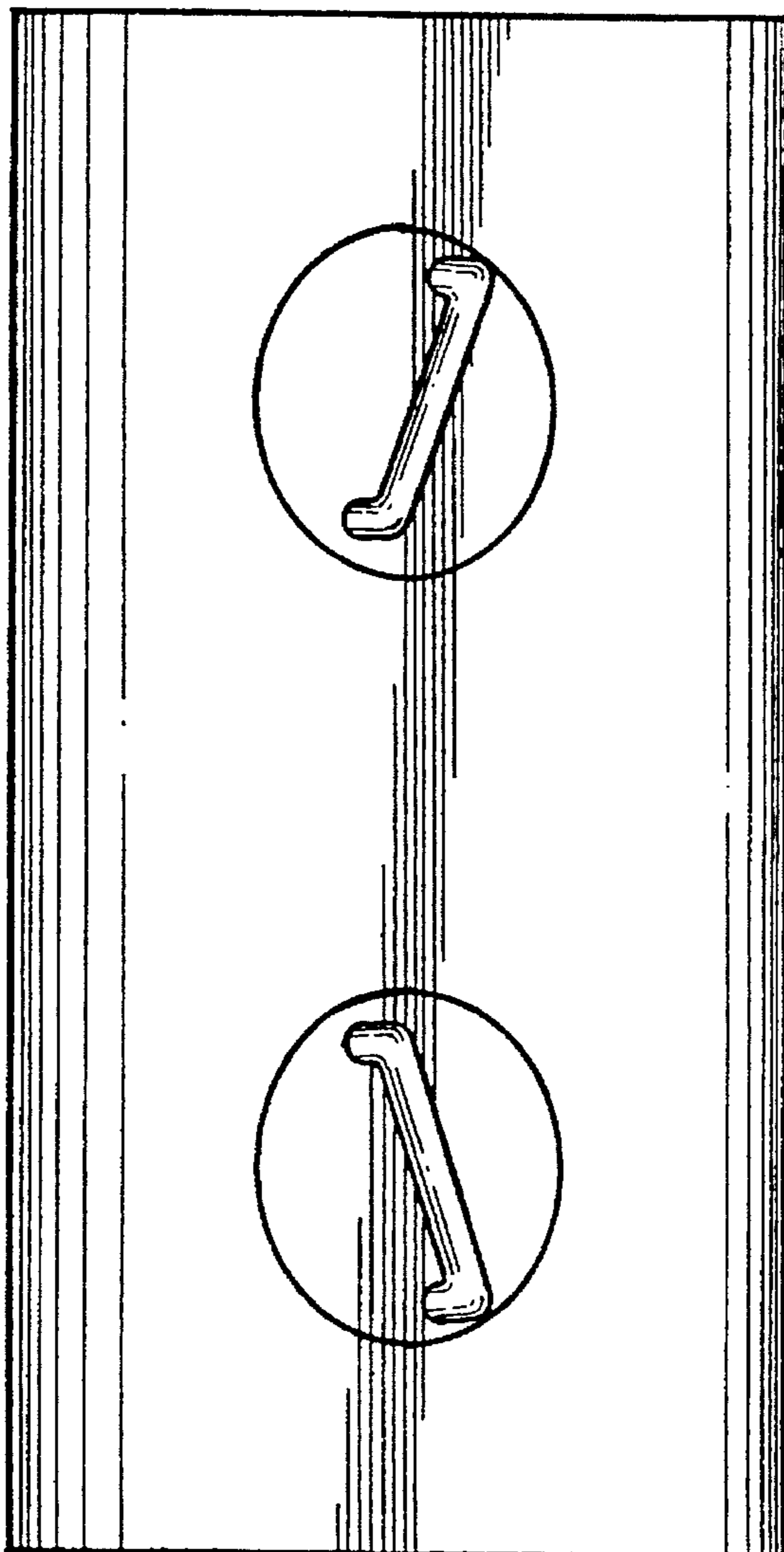


FIG. 5.