



US00D374044S

# United States Patent [19]

Doi et al.

[11] Patent Number: **Des. 374,044**

[45] Date of Patent: **\*\*Sep. 24, 1996**

[54] **TOY FIGURINE**

[75] Inventors: **Keiko Doi; Masatsune Sasaki**, both of Tokyo, Japan

[73] Assignee: **Tomy Company, Ltd.**, Tokyo, Japan

[\*\*] Term: **14 Years**

[21] Appl. No.: **38,385**

[22] Filed: **May 2, 1995**

[30] **Foreign Application Priority Data**

Nov. 2, 1994 [JP] Japan ..... 6-33761

[52] U.S. Cl. .... **D21/148**

[58] Field of Search ..... D21/148-150, D21/152-154, 158-163, 165; 446/72, 97, 99, 268, 269, 279, 289, 290, 313, 368, 369

[56] **References Cited**

**U.S. PATENT DOCUMENTS**

D. 286,420 10/1986 Ohno ..... D21/148

D. 286,901 11/1986 Ohno ..... D21/148  
D. 287,151 12/1986 Ohno ..... D21/150  
D. 301,353 5/1989 Matsuda ..... D21/150

*Primary Examiner*—Sandra L. Morris  
*Attorney, Agent, or Firm*—Staas & Halsey

[57] **CLAIM**

The ornamental design for a toy figurine, as shown.

**DESCRIPTION**

FIG. 1 is a front elevational view of the toy figurine;  
FIG. 2 is a rear elevational view thereof;  
FIG. 3 is a top plan view thereof;  
FIG. 4 is a bottom plan view thereof;  
FIG. 5 is a right side elevational view thereof; and,  
FIG. 6 is a left side elevational view thereof.

**1 Claim, 2 Drawing Sheets**

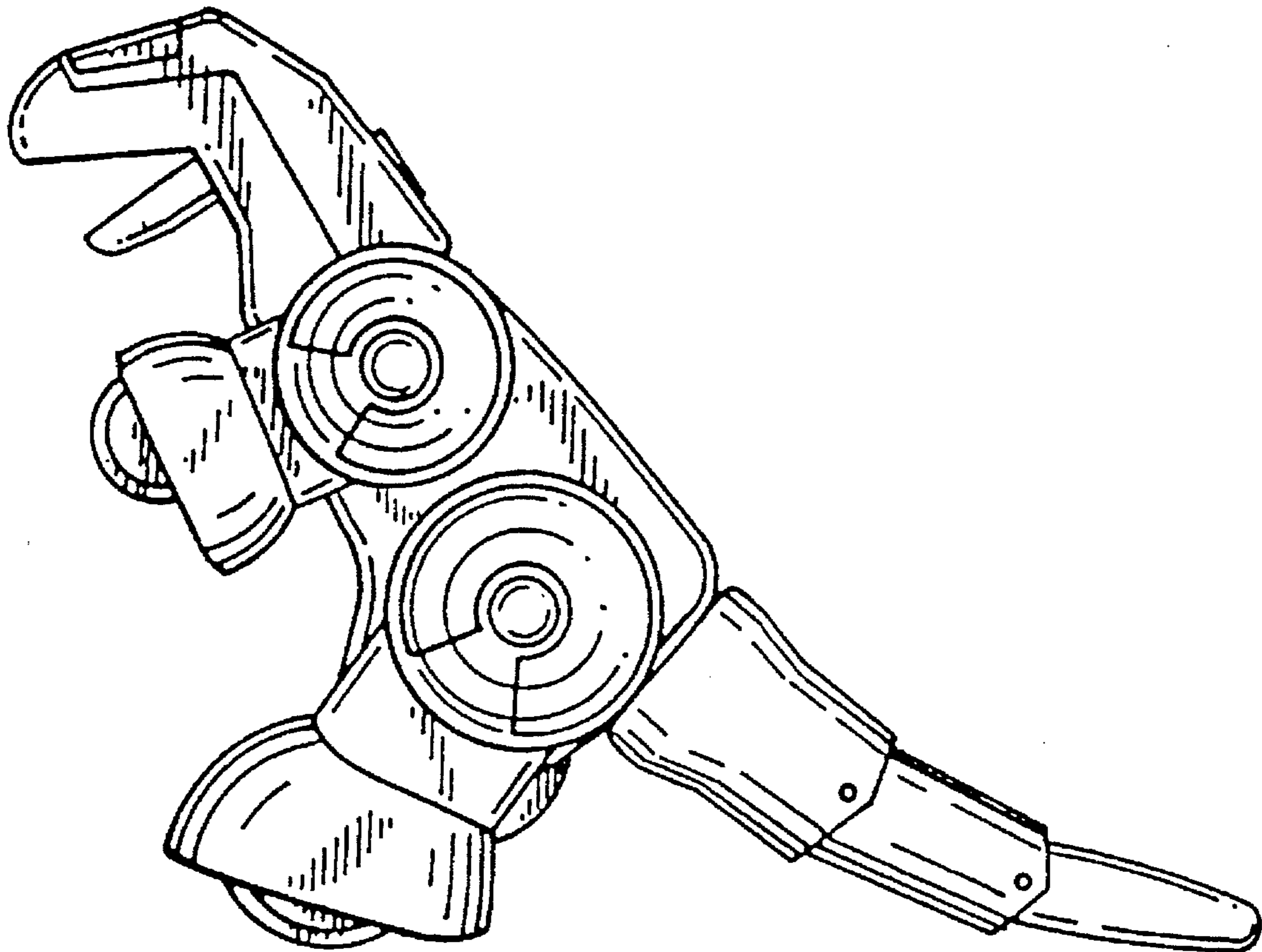


FIG. 1

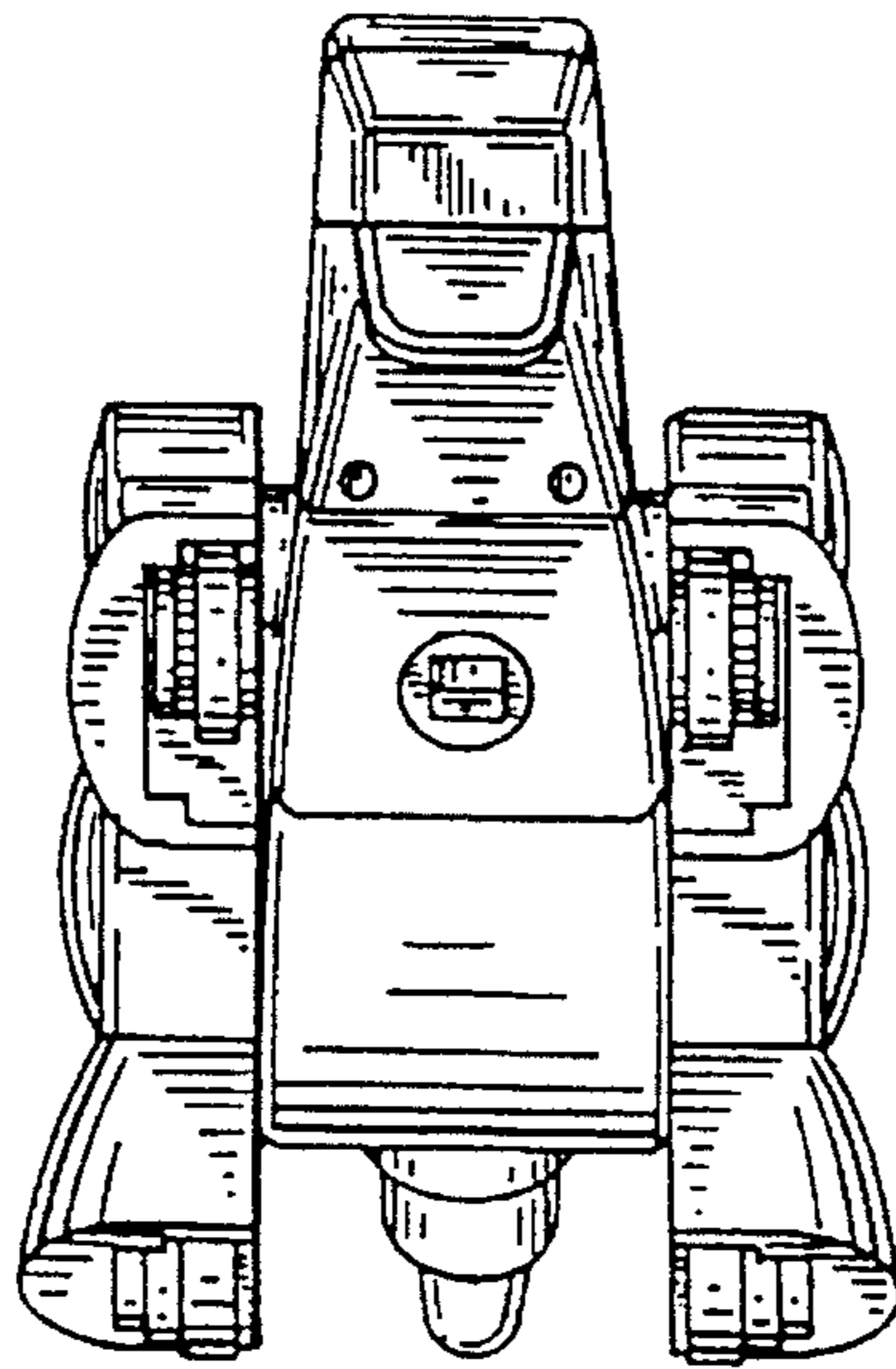


FIG. 2

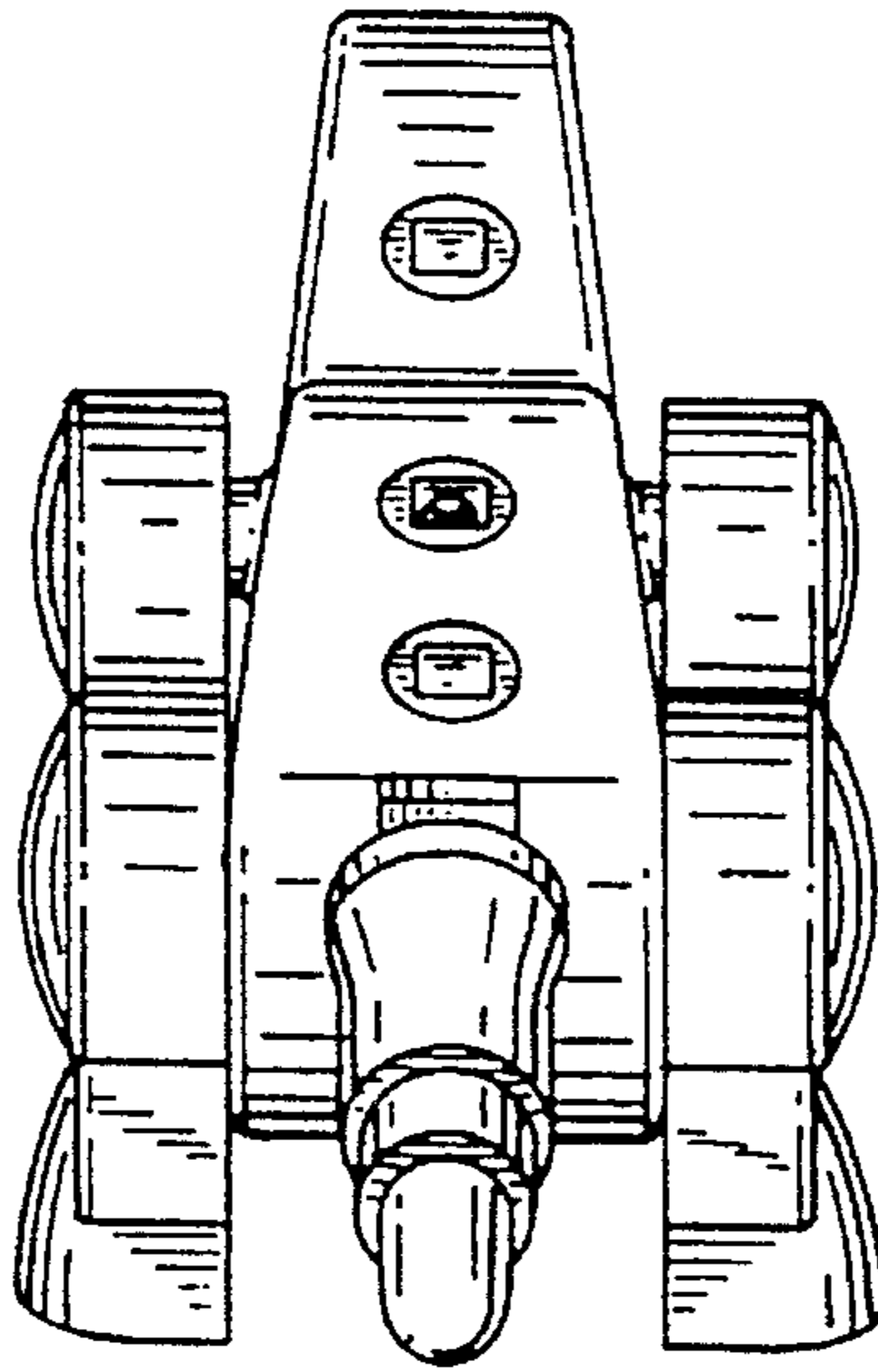


FIG. 3

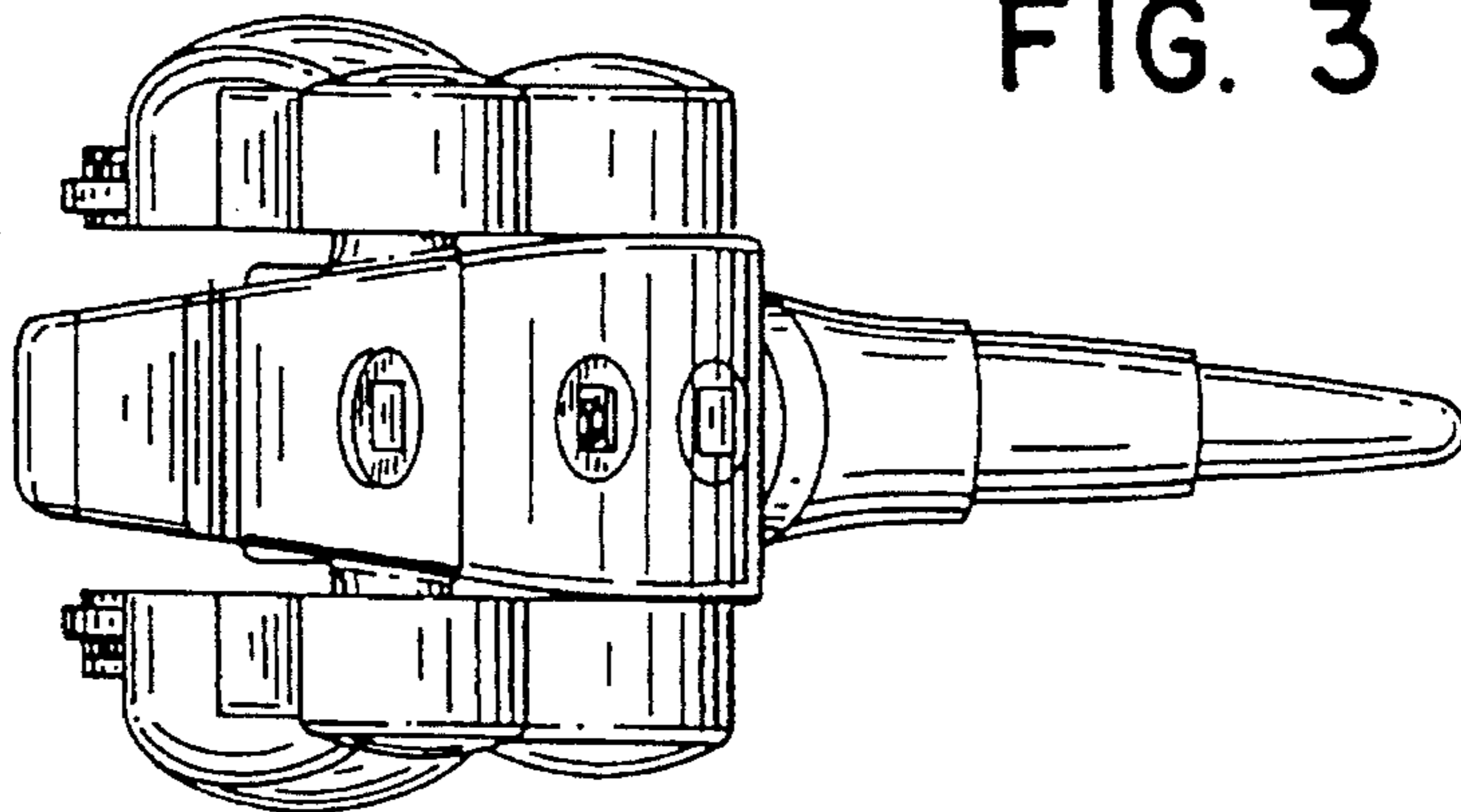


FIG. 4

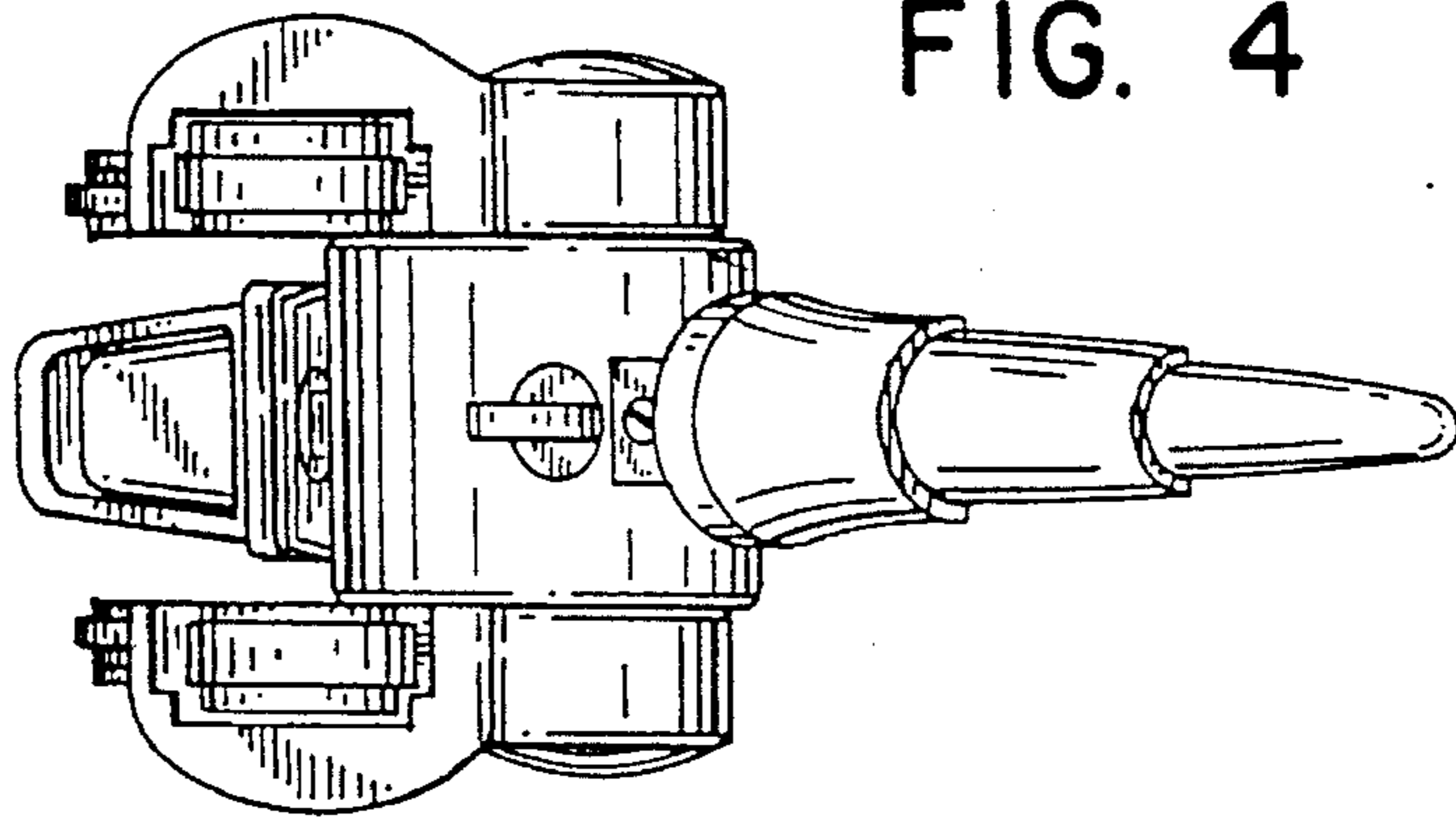


FIG. 5

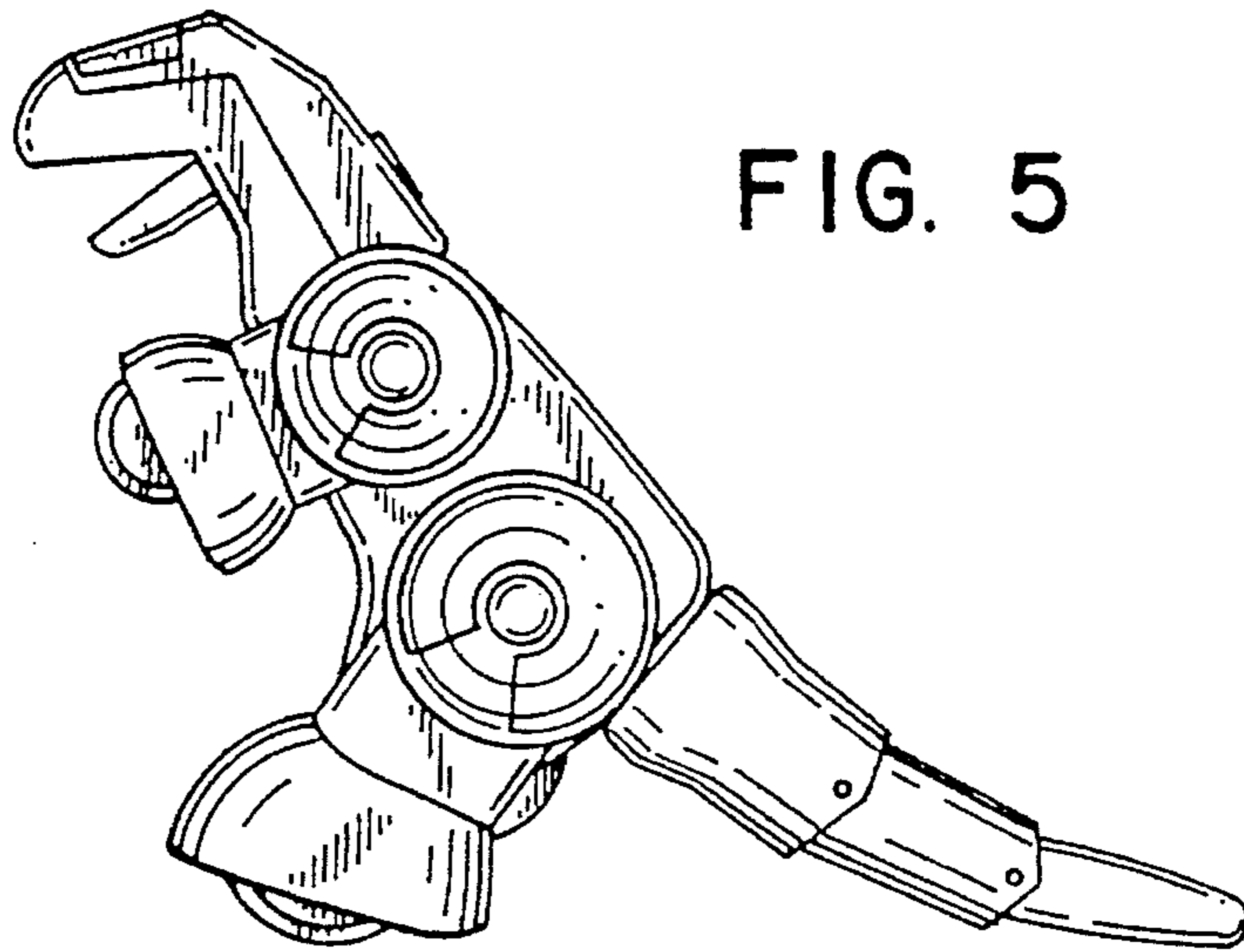


FIG. 6

