



US00D374038S

United States Patent [19] Gillespie

[11] Patent Number: **Des. 374,038**

[45] Date of Patent: ****Sep. 24, 1996**

[54] **PHONE CADDY**

2,593,475	4/1952	Neilsen	40/389
2,667,367	1/1954	Labinski et al.	D14/252 X
4,192,425	3/1980	Landau et al.	211/50

[75] Inventor: **Joe D. Gillespie**, El Dorado, Kans.

[73] Assignee: **St. Francis Research Institute**, Wichita, Kans.

Primary Examiner—Martie Thompson
Attorney, Agent, or Firm—Hovey, Williams, Timmons & Collins

[**] Term: **14 Years**

[57] CLAIM

[21] Appl. No.: **42,523**

The ornamental design for a phone caddy, as shown and described.

[22] Filed: **Aug. 11, 1995**

[52] U.S. Cl. **D19/87**; D14/152; D19/76

DESCRIPTION

[58] **Field of Search** D14/142, 144, D14/152, 153, 151; D19/65, 27, 86, 87, 88, 92, 95, 99, 100; 40/336, 389, 502, 377, 404, 114; 312/303; 281/6; 211/50

FIG. 1 is a perspective view of a phone caddy in accordance with the invention;

FIG. 2 is a side elevational view of the phone caddy illustrated in FIG. 1;

FIG. 3 is a front view of the phone caddy illustrated in FIG. 1;

FIG. 4 is a rear view of the phone caddy illustrated in FIG. 1;

FIG. 5 is a bottom view of the phone caddy illustrated in FIG. 1; and,

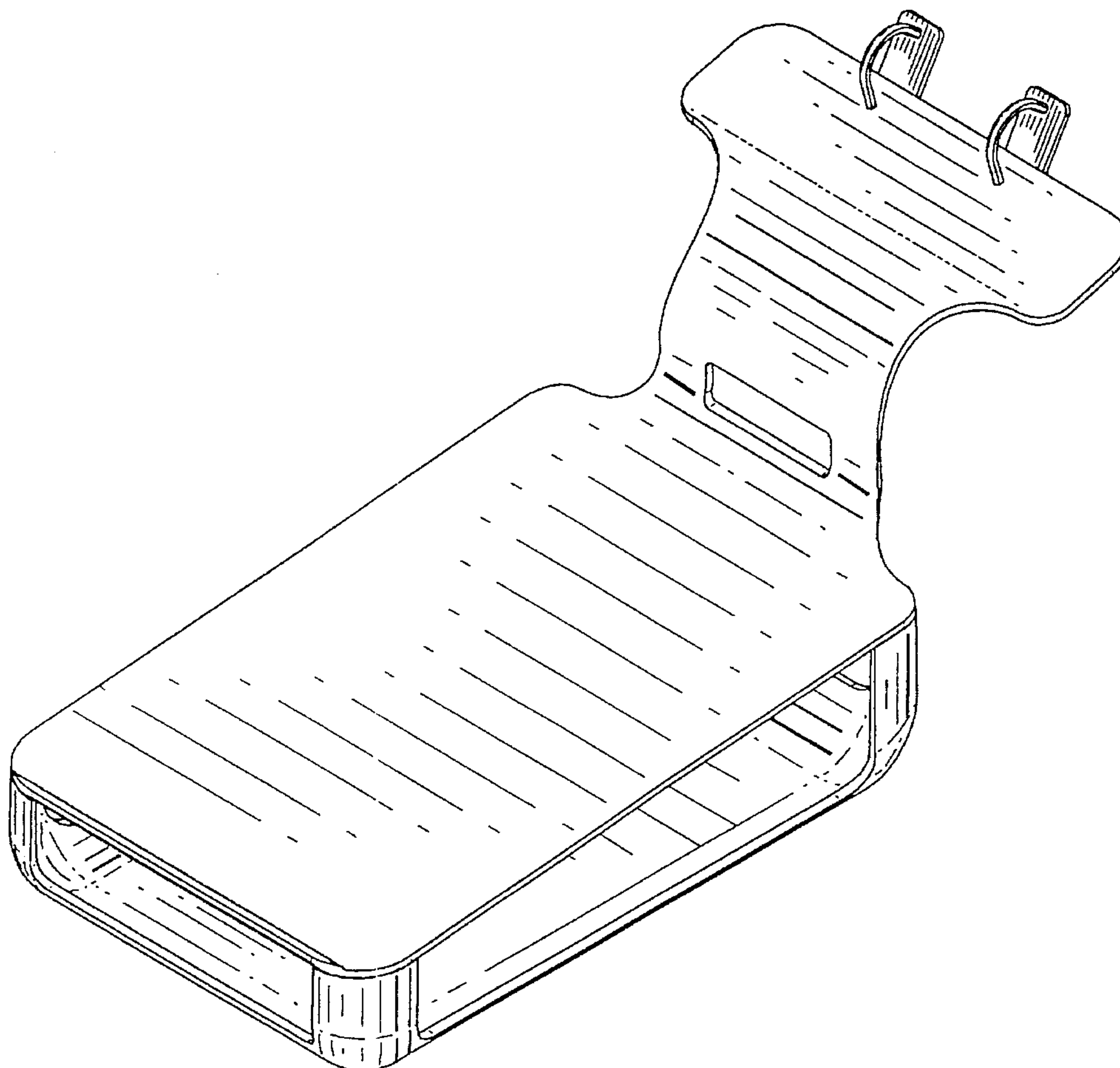
FIG. 6 is a plan view of the phone caddy illustrated in FIG. 1.

[56] References Cited

U.S. PATENT DOCUMENTS

D. 151,806	11/1948	Beitch et al.	D14/252
D. 164,173	8/1951	Ives	D19/87 X
D. 167,523	8/1952	Mayo	D19/87 X
D. 193,431	8/1962	Newton	D19/27 X
D. 210,634	3/1968	Newton	D19/87
D. 211,999	8/1968	Prince	D14/252
2,511,771	6/1950	Fagan	D14/252 X
2,541,270	2/1951	Mitnick	40/336

1 Claim, 1 Drawing Sheet



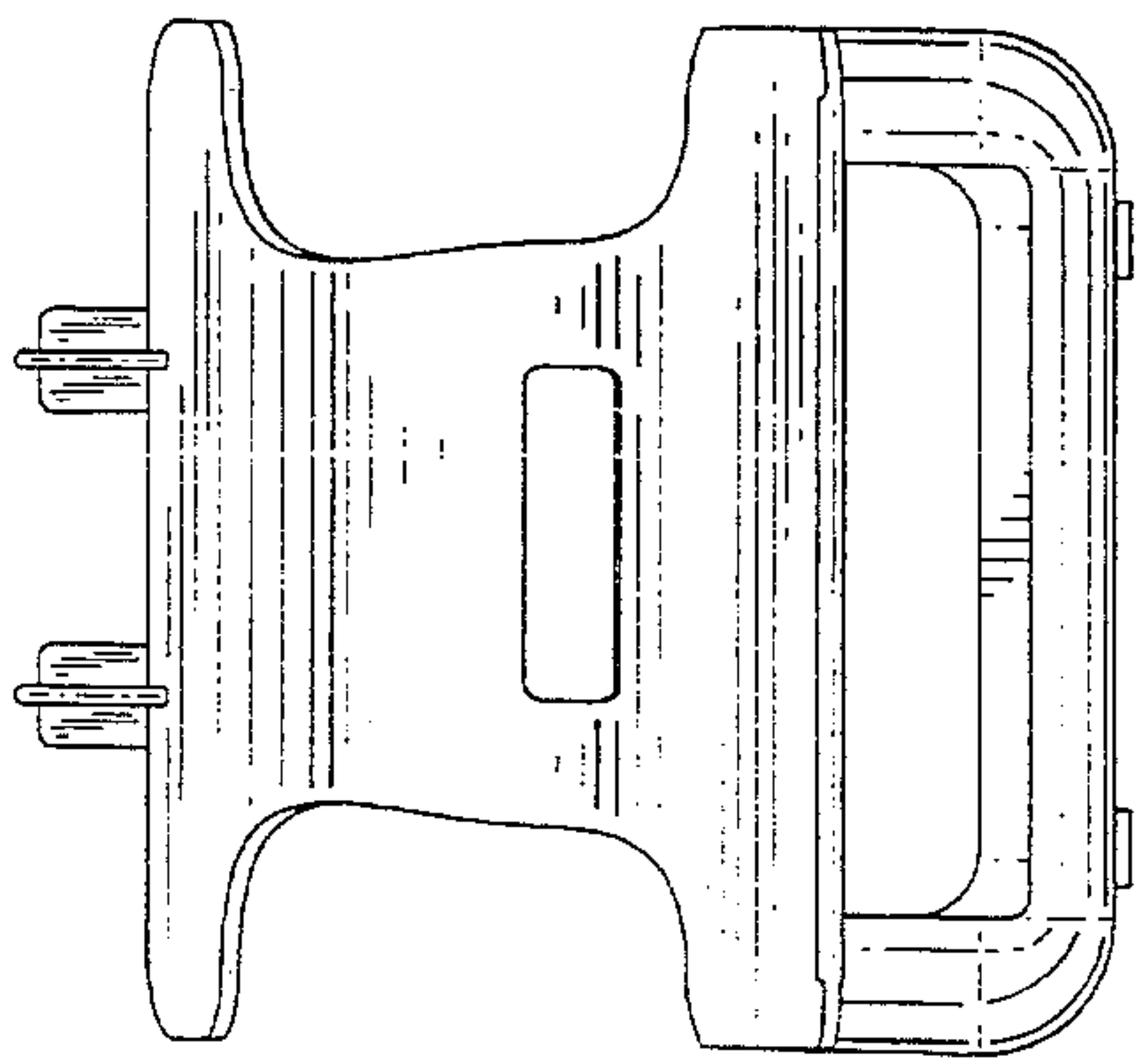


Fig. 3.

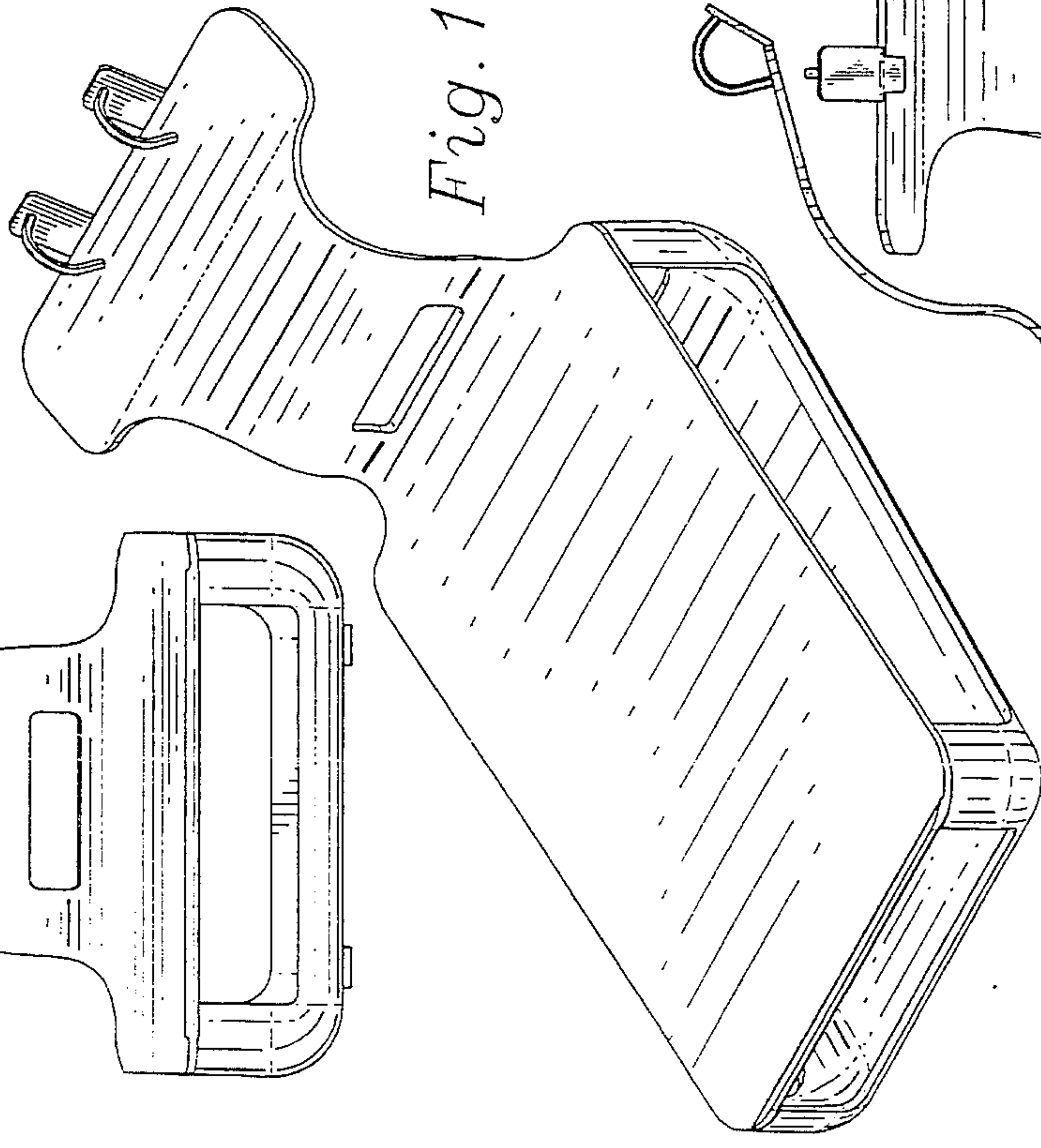


Fig. 1.

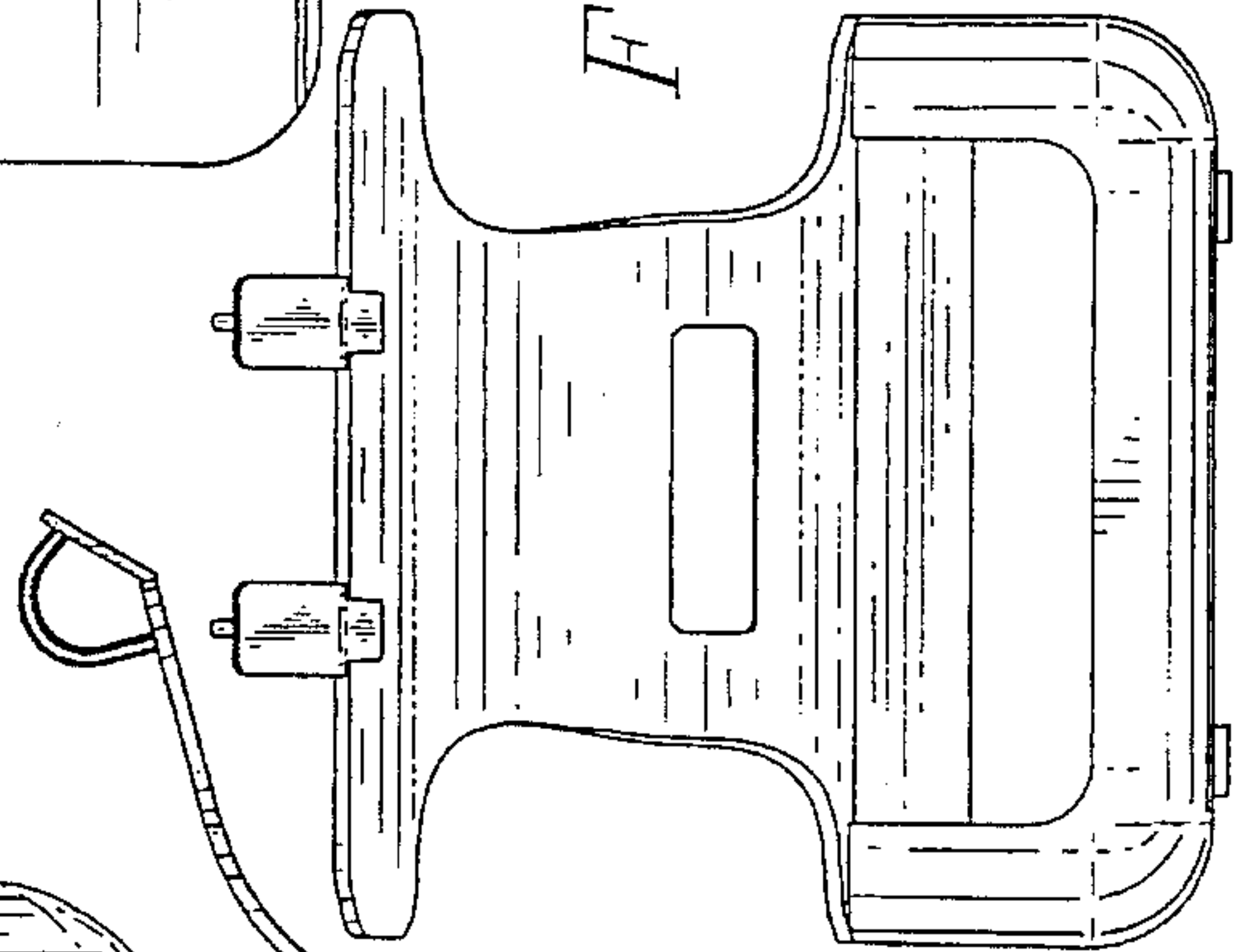


Fig. 4.

Fig. 5.

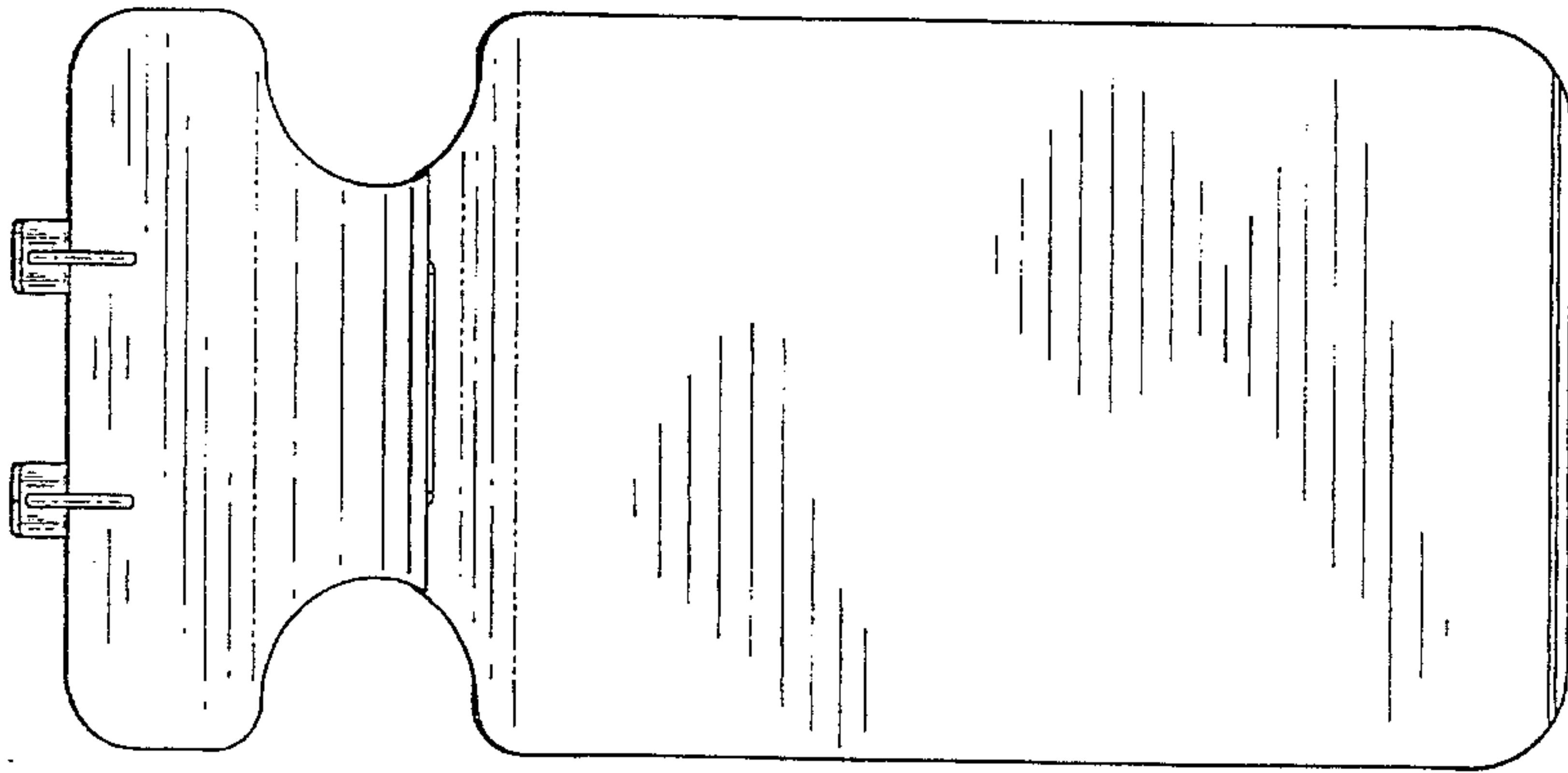


Fig. 6.

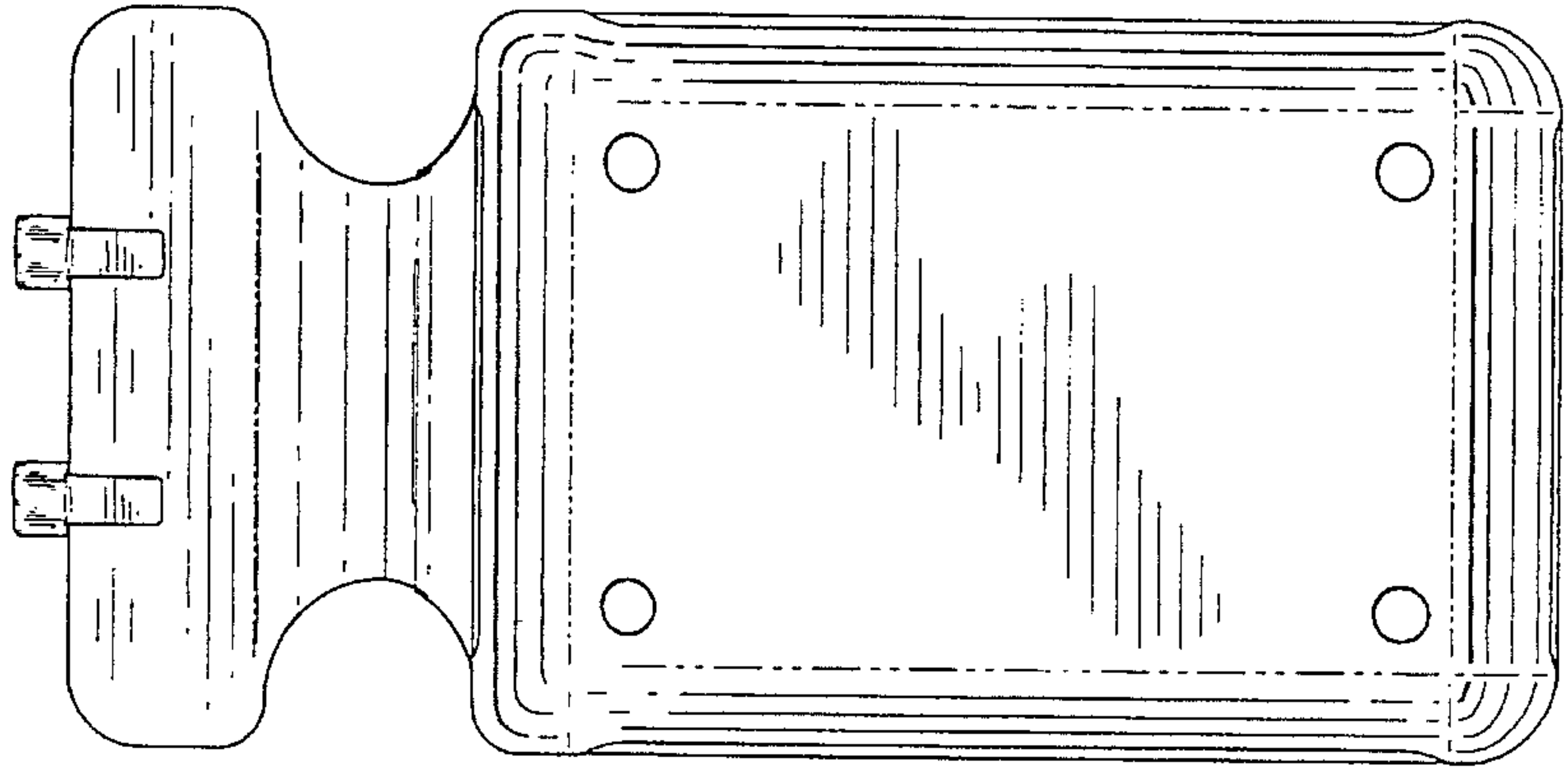


Fig. 2.