



US00D374037S

United States Patent [19]

Wyant et al.

[11] Patent Number: **Des. 374,037**

[45] Date of Patent: ****Sep. 24, 1996**

[54] PORTFOLIO

[75] Inventors: **Jon R. Wyant**, Spring Valley; **Marc Moor**, Dayton, both of Ohio

[73] Assignee: **The Mead Corporation**, Dayton, Ohio

[**] Term: **14 Years**

[21] Appl. No.: **13,873**

[22] Filed: **Oct. 5, 1993**

[52] U.S. Cl. **D19/26; D19/27**

[58] Field of Search **D19/26, 27, 28, D19/29, 30, 31; D3/900, 247, 303; 287/45, 31, 29, 15.1, 21.1, 35; 150/135; 283/63.1, 64**

[56] References Cited

U.S. PATENT DOCUMENTS

D. 209,188	11/1967	Shiner	D19/26
D. 235,439	6/1975	Gray	D19/26
D. 259,749	7/1981	McDonald	D19/26 X
D. 312,275	11/1990	Wyant	D19/26
D. 319,729	9/1991	Kogutt	D3/900 X
D. 322,458	12/1991	Wiberg	D19/27
D. 327,909	7/1992	Fickenscher et al.	D19/27

OTHER PUBLICATIONS

Ginns, 1984, p. 154, Portfolio on upper left of page.
Ginns, 1984, p. 270 Portfolio Calender on top of page.
Handbook of Designs & Devices, 1946, p. 191 #1712 shield design.

Primary Examiner—Susan J. Lucas
Assistant Examiner—Pamela Burgess
Attorney, Agent, or Firm—Thompson Hine & Flory P.L.L.

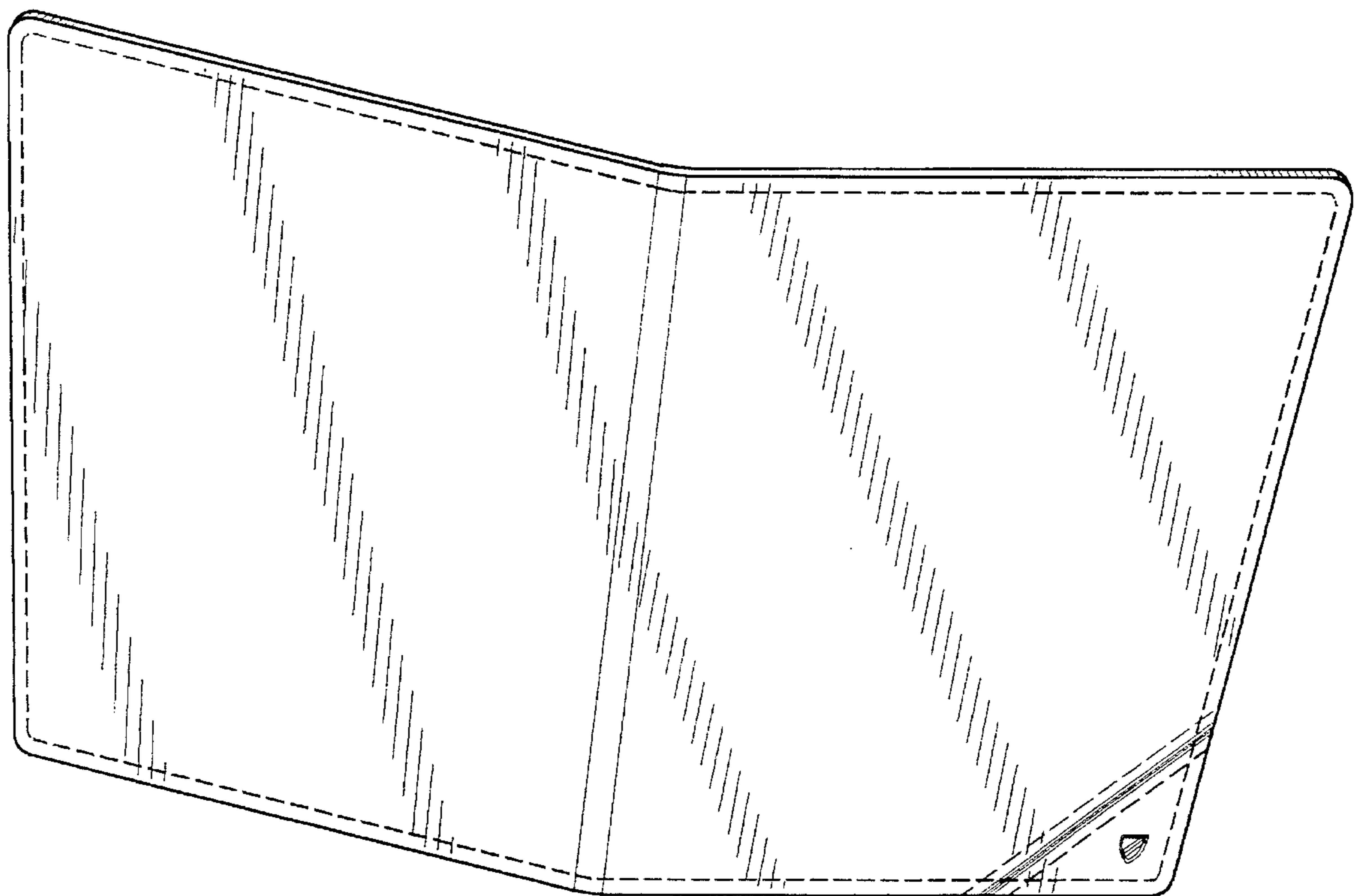
[57] CLAIM

The ornamental design for a portfolio, as shown and described.

DESCRIPTION

FIG. 1 is a front perspective view of a portfolio in an opened position, showing our new design;
FIG. 2 is a front perspective view of a second embodiment of FIG. 1, it being understood that the undisclosed rear is the same as the first embodiment as shown in FIG. 4;
FIG. 3 is an enlarged fragmentary perspective view of the lower right corner shown in FIG. 2; and,
FIG. 4 is a rear elevational view of FIG. 1 in a fully opened position, it being understood that the broken lines are for illustrative purposes only, forming no part of the claimed design.

1 Claim, 2 Drawing Sheets



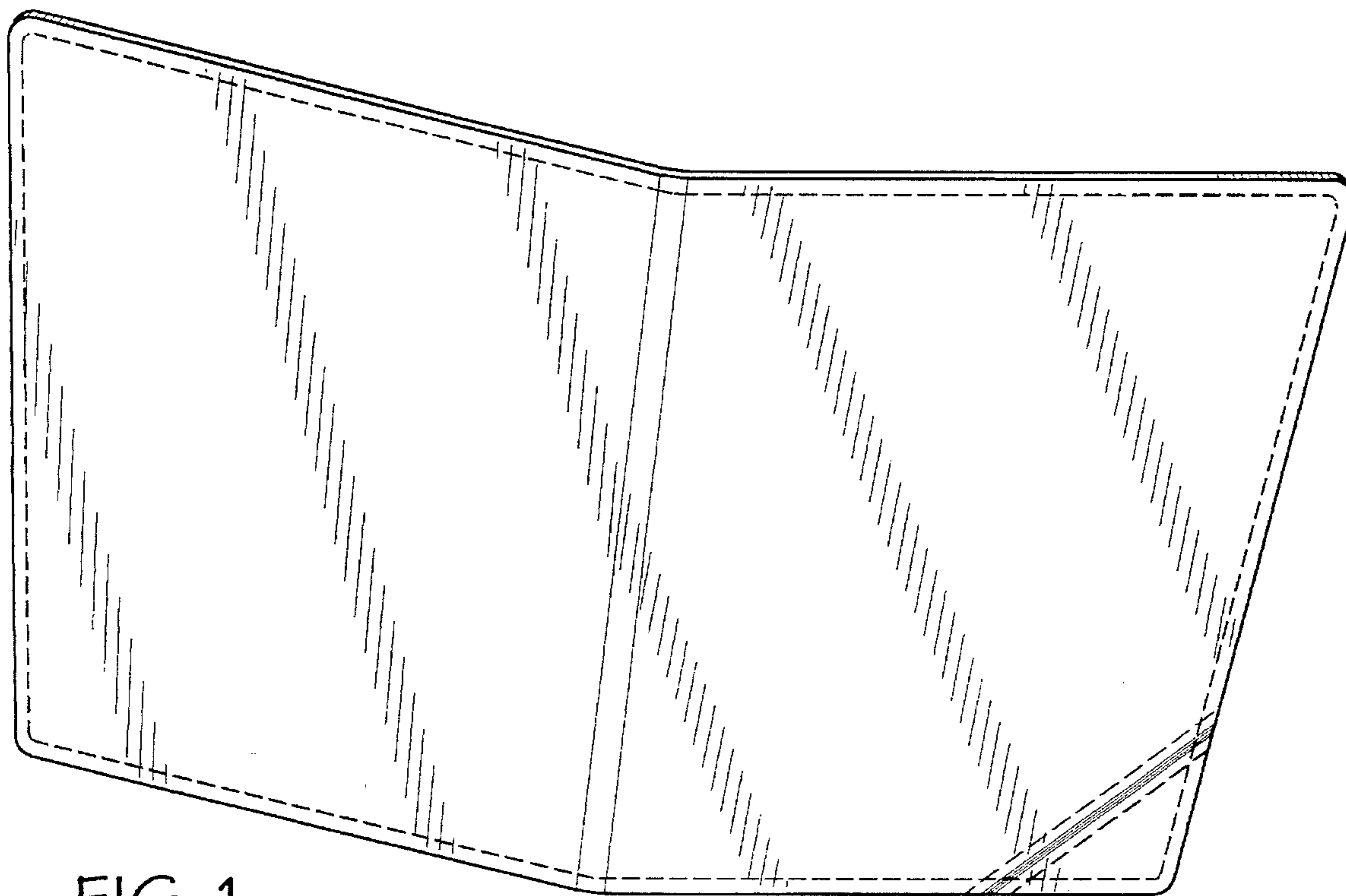


FIG. 1

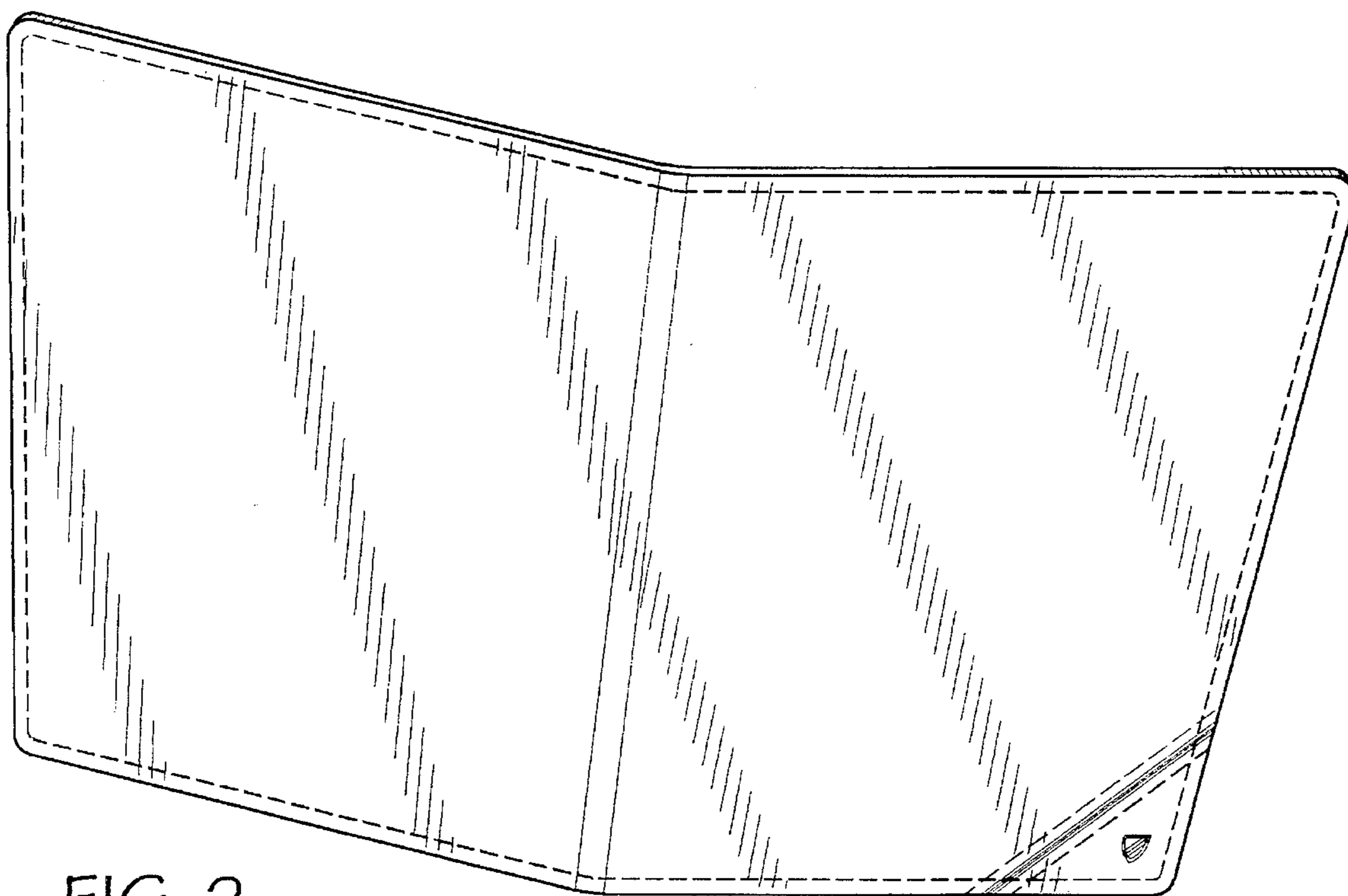


FIG. 2

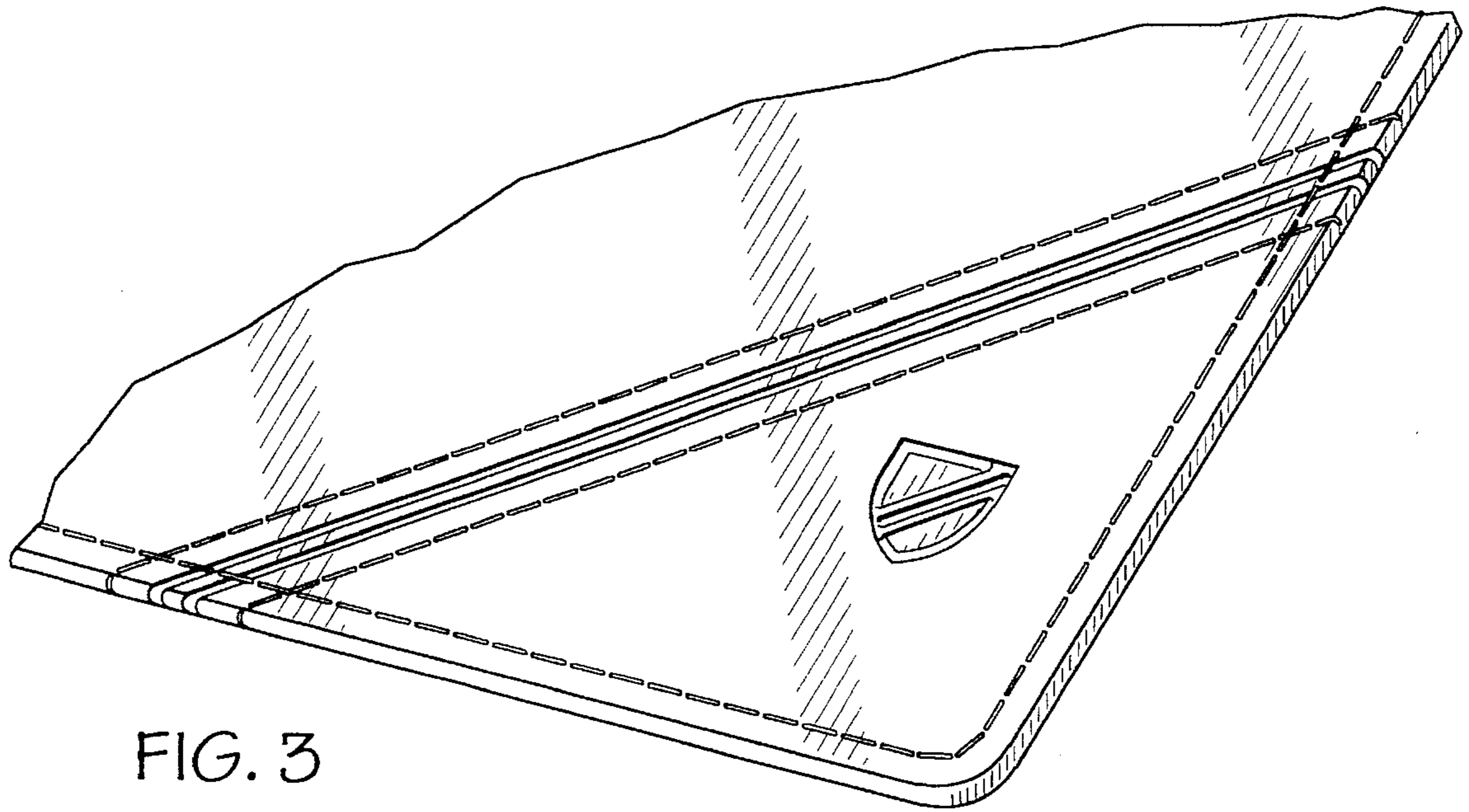


FIG. 3

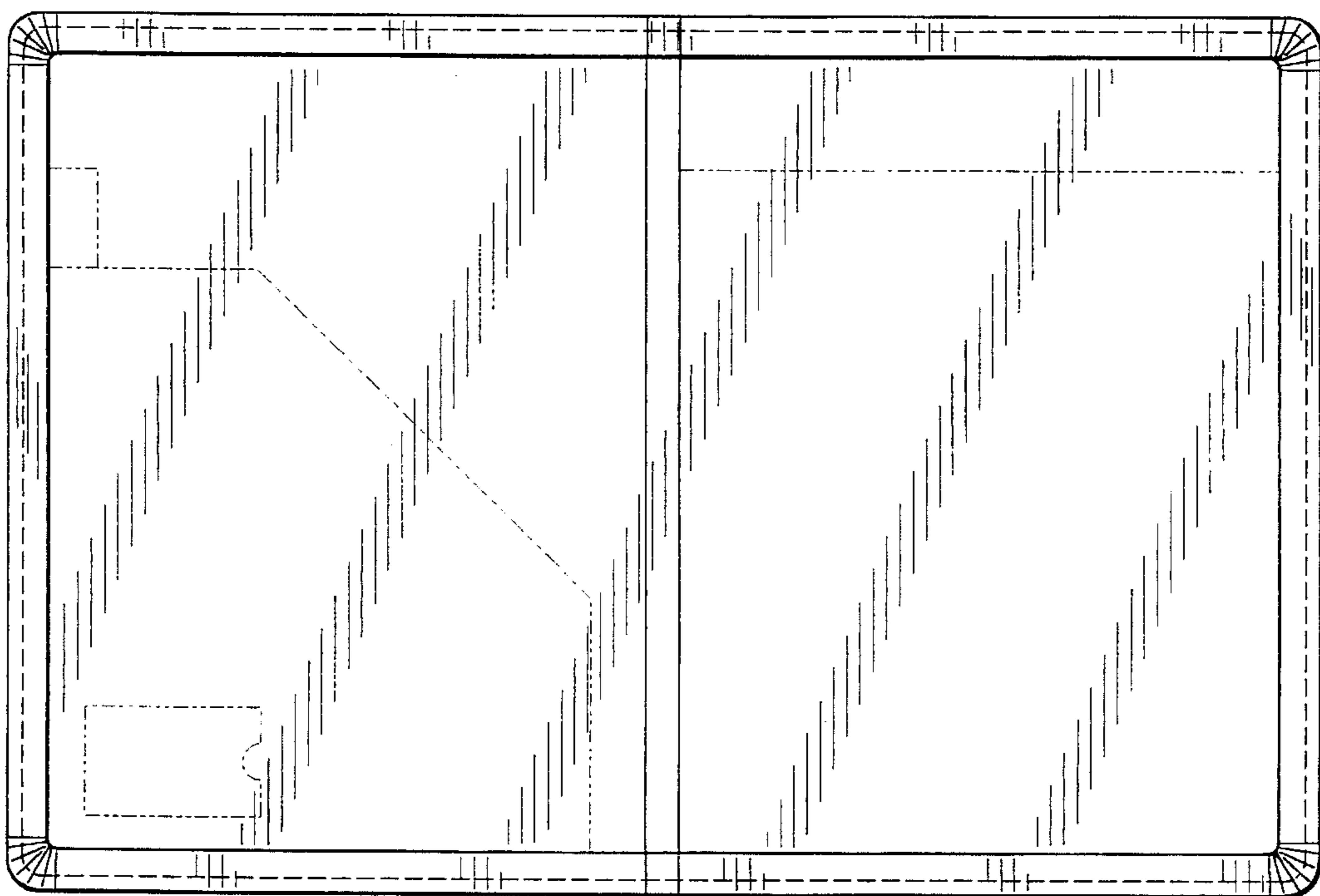


FIG. 4