



US00D374032S

United States Patent [19]

Kobayashi et al.

[11] Patent Number: **Des. 374,032**

[45] Date of Patent: ****Sep. 24, 1996**

[54] **COMPUTER PRINTER**

[75] Inventors: **Makoto Kobayashi; Hiromi Shishiuchi**, both of Suwa; **Mitsuru Iseki**, Nagoya, all of Japan

[73] Assignee: **Seiko Epson Corporation**, Tokyo, Japan

[**] Term: **14 Years**

[21] Appl. No.: **39,519**

[22] Filed: **May 30, 1995**

[30] **Foreign Application Priority Data**

Nov. 30, 1994 [JP] Japan 6-36545

[52] U.S. Cl. **D18/55**

[58] Field of Search D18/50, 54-55; 400/613, 613.1-613.4, 691-694, 690.1-690.4

[56] **References Cited**

U.S. PATENT DOCUMENTS

D. 199,704 12/1964 Frantz .
D. 287,730 1/1987 Kojima et al. D18/55

D. 330,723 11/1992 Mitsushima et al. D18/55
D. 340,258 10/1993 Asakura et al. D18/55
D. 358,603 5/1995 Dodge et al. D18/55

OTHER PUBLICATIONS

brother® brochure; HT-500PS Color Post Script® Language Emulation Printer.

Océ Graphics brochure; ©1990; Color Post Script® Printer.

Primary Examiner—Cathy Anne MacCormac
Attorney, Agent, or Firm—Stroock & Stroock & Lavan

[57] **CLAIM**

The ornamental design for a computer printer, as shown.

DESCRIPTION

FIG. 1 is a front perspective view of a computer printer showing my new design;
FIG. 2 is a front elevational view thereof;
FIG. 3 is a top plan view thereof;
FIG. 4 is a right side elevational view thereof;
FIG. 5 is a left side elevational view thereof;
FIG. 6 is a rear elevational view thereof; and,
FIG. 7 is a bottom plan view thereof.

1 Claim, 4 Drawing Sheets

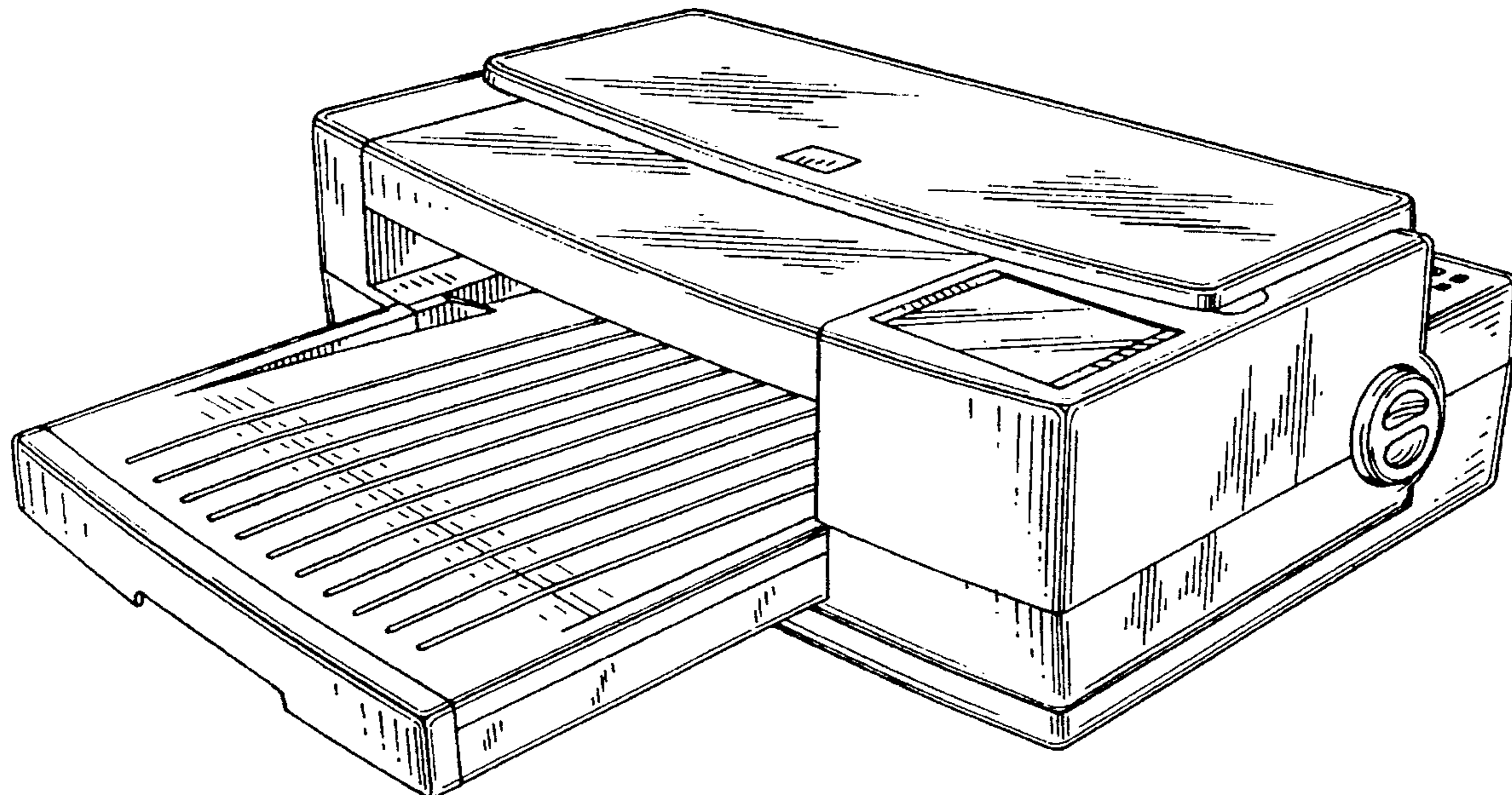


FIG. 1

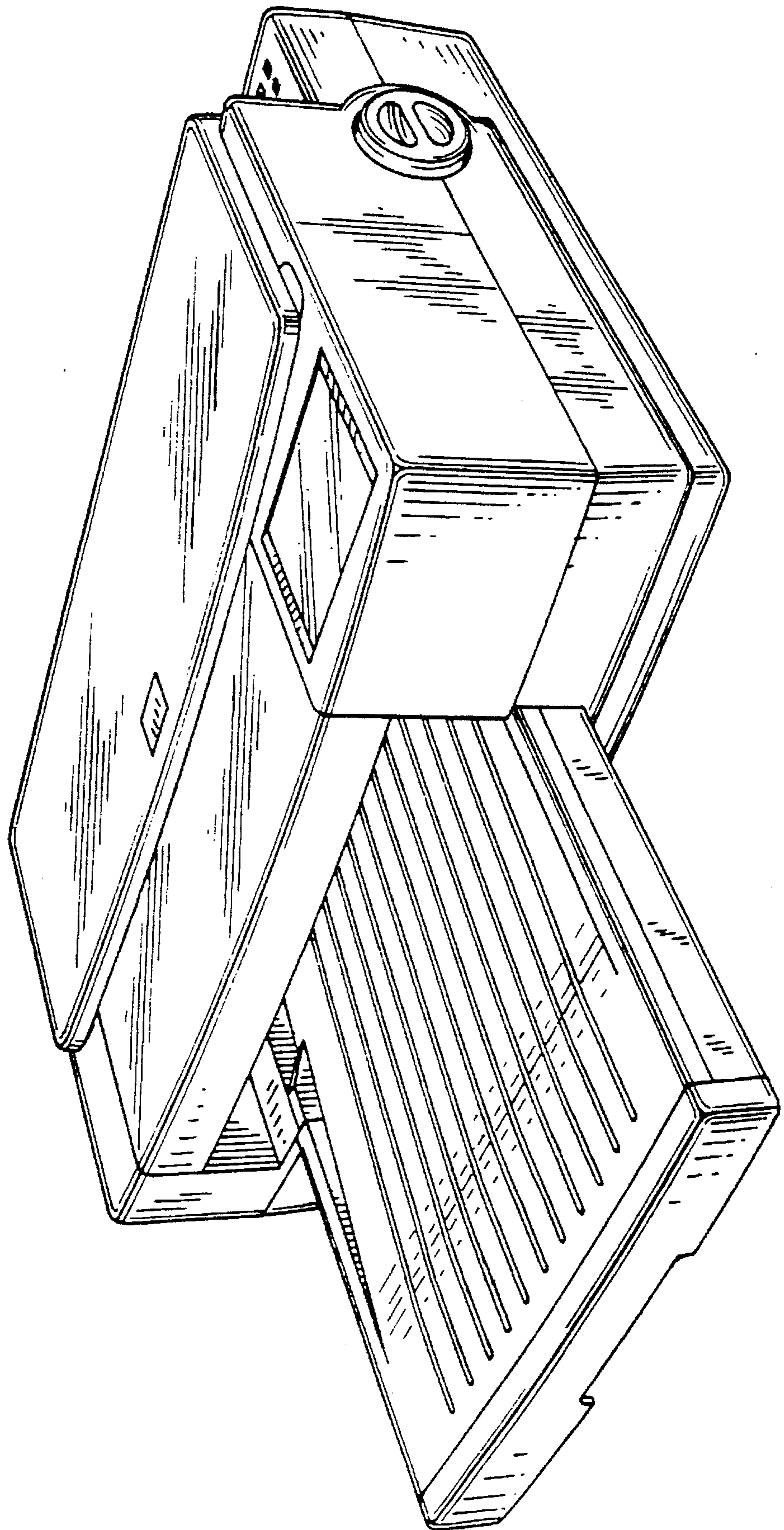


FIG. 2

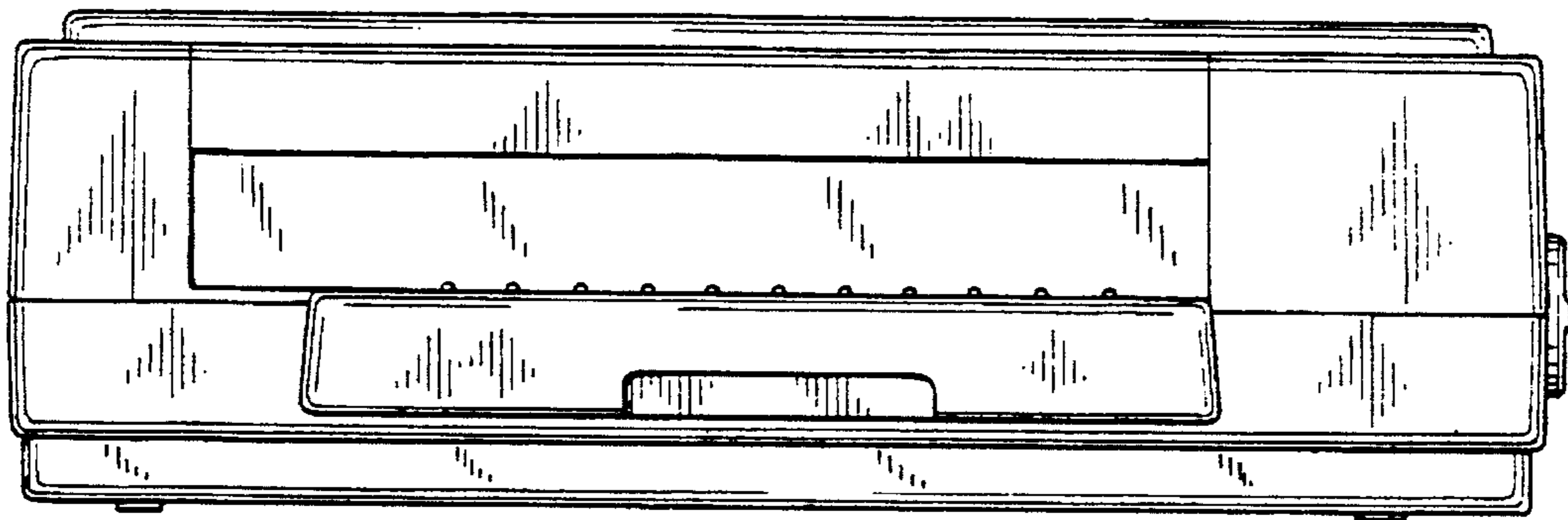


FIG. 3

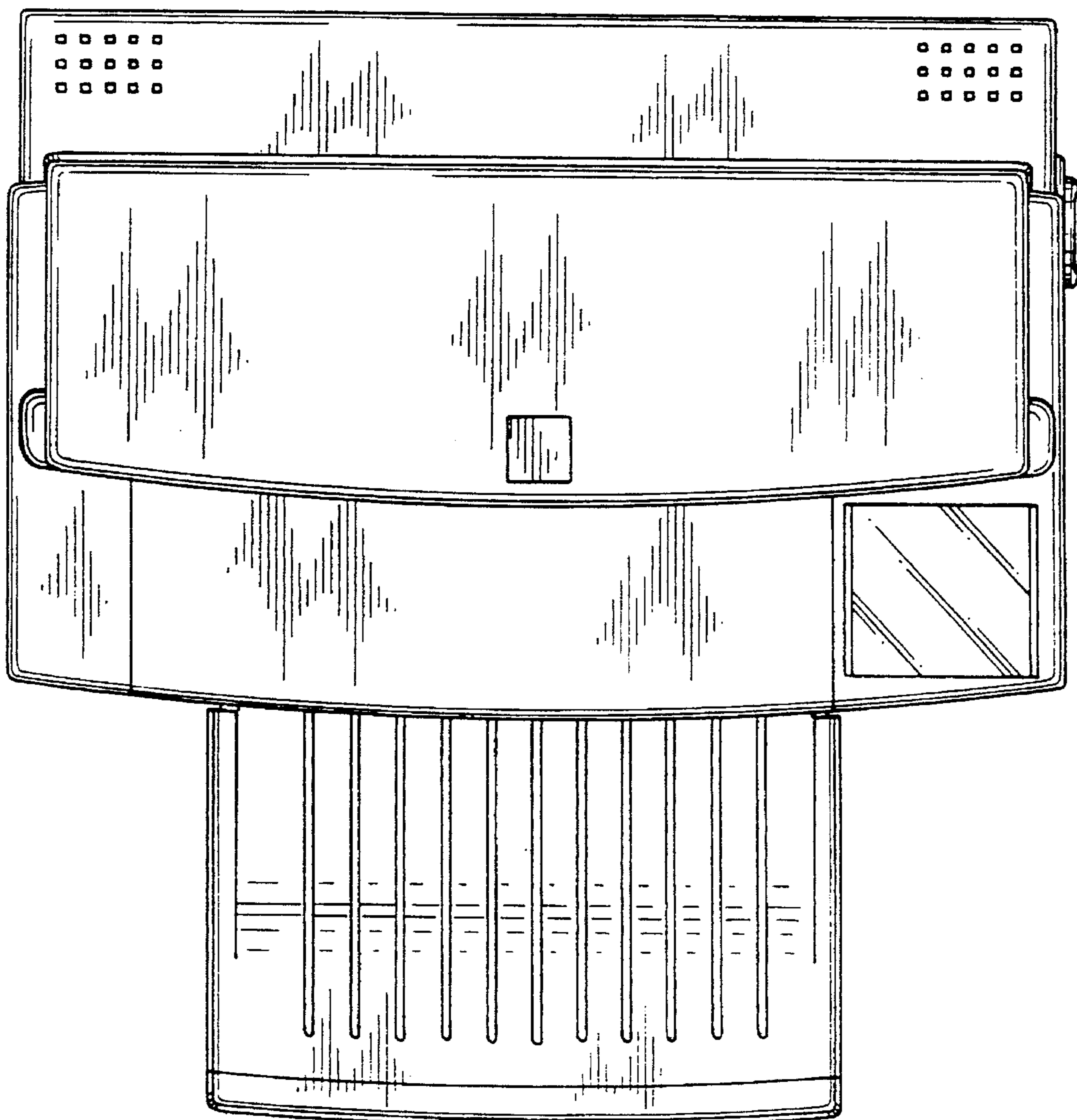


FIG. 4

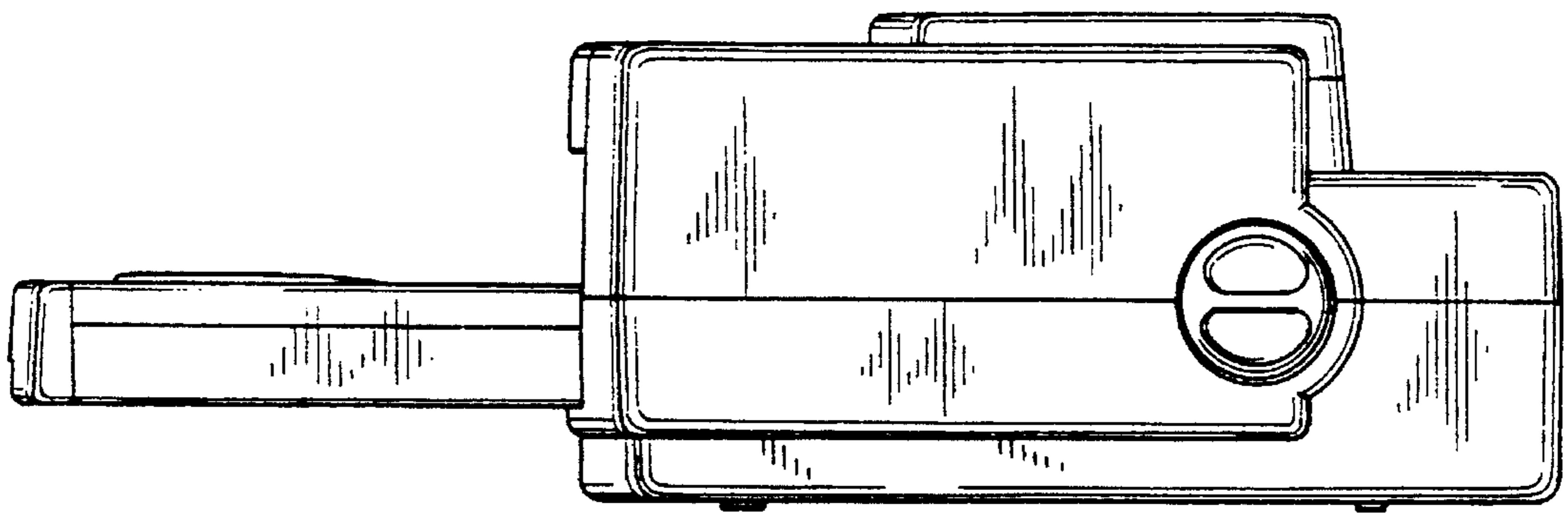


FIG. 5

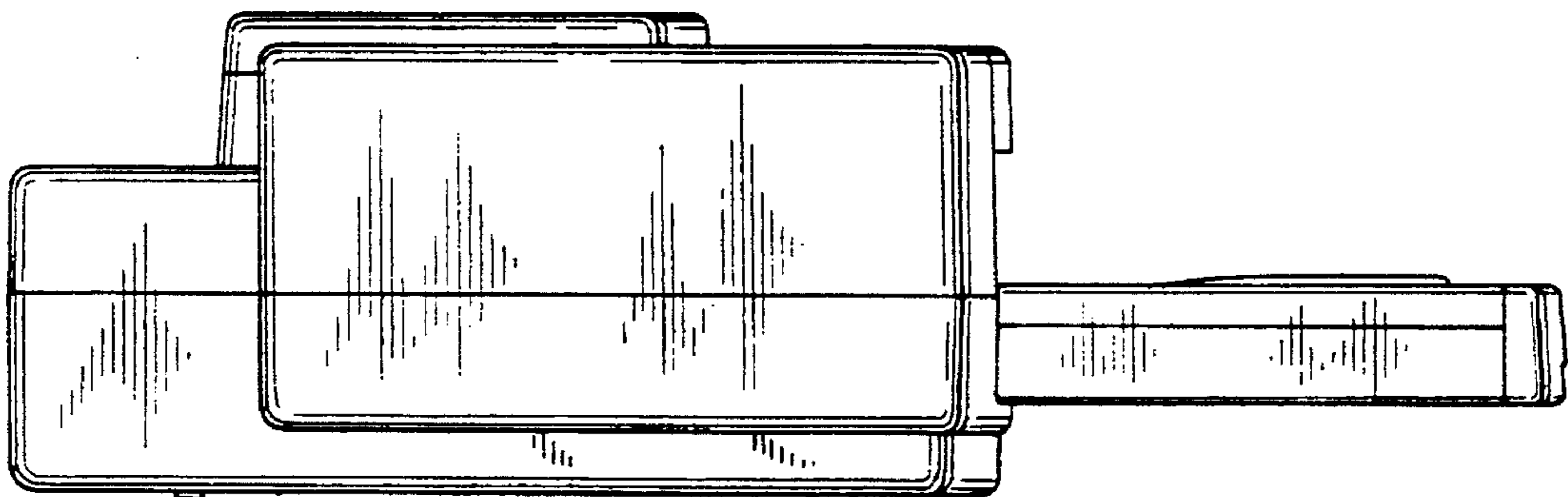


FIG. 6

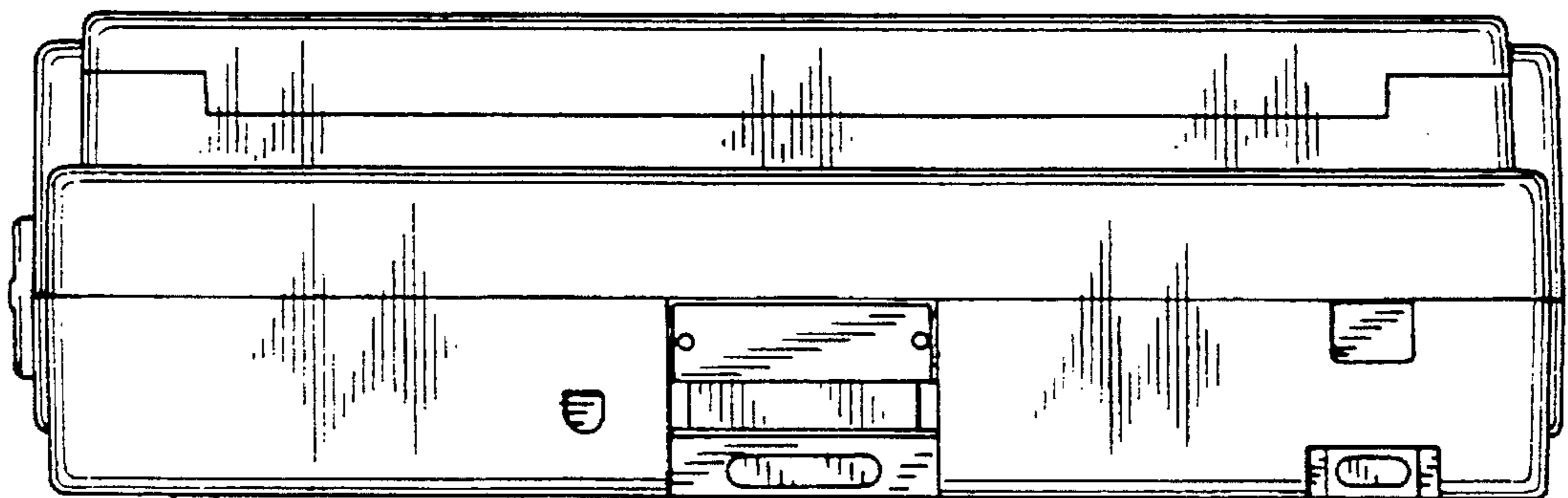


FIG. 7

