



US00D374031S

# United States Patent [19] Ikenaga

[11] Patent Number: **Des. 374,031**  
[45] Date of Patent: **\*\*Sep. 24, 1996**

## [54] PRINTER

[75] Inventor: **Takashi Ikenaga**, Tokyo, Japan  
[73] Assignee: **Sony Corporation**, Tokyo, Japan  
[\*\*] Term: **14 Years**

[21] Appl. No.: **34,237**  
[22] Filed: **Jan. 31, 1995**

## [30] Foreign Application Priority Data

Aug. 1, 1994 [JP] Japan ..... 6-22881  
[52] U.S. Cl. .... **D18/50**  
[58] Field of Search ..... D18/36-39, 50,  
D18/54-55; 400/691-694, 690.1-690.4,  
613, 613.1-613.4

## [56] References Cited

### U.S. PATENT DOCUMENTS

D. 264,345 5/1982 Masaki et al. .... D18/37  
D. 317,785 6/1991 Norris ..... D18/54  
D. 322,278 12/1991 Kawashima et al. .... D18/54  
D. 334,022 3/1993 Byun ..... D18/50  
D. 334,402 3/1993 Matsumoto et al. .... D18/50  
D. 362,456 9/1995 Ishibashi et al. .... D18/39  
4,744,680 5/1988 Hirotsaki et al. .... 400/613  
4,777,533 10/1988 Watanabe ..... D18/36  
4,782,395 11/1988 Jeffers ..... D18/50  
4,800,400 1/1989 Douglas ..... D18/50

### FOREIGN PATENT DOCUMENTS

692989 7/1986 Japan ..... D18/50

## OTHER PUBLICATIONS

Seikosha VP-3500 Video Printer brochure.  
Toshiba Catalog; Jun. 1986; "Color Image Scanner"  
SC-4505(A3).  
Mitsubishi Video Printer advertisement in Computer &  
Electronics Mag., Jul. 1984; p. 26.

*Primary Examiner*—Cathy Anne MacCormac  
*Attorney, Agent, or Firm*—Beveridge, DeGrandi, Weilacher  
& Young, L.L.P.

## [57] CLAIM

The ornamental design for a printer, as shown and described.

## DESCRIPTION

FIG. 1 is a perspective view of the printer;  
FIG. 2 is a top plan view of the printer;  
FIG. 3 is a left side elevational view of the printer;  
FIG. 4 is a front elevational view of the printer;  
FIG. 5 is a right side elevational view of the printer;  
FIG. 6 is a rear elevational view of the printer;  
FIG. 7 is a bottom plan view of the printer;  
FIG. 8 is a perspective view of the printer, the front panel of  
which is in the open position;  
FIG. 9 is a front elevational view of the printer shown in  
FIG. 8;  
FIG. 10 is a top plan view of the printer shown in FIG. 8;  
FIG. 11 is a reference cross sectional view along the line  
11-11 shown in FIG. 4; and,  
FIG. 12 is a perspective view of the printer in use wherein  
the paper is shown in broken lines for illustration purposes  
only and forms no part of the claimed design.

**1 Claim, 5 Drawing Sheets**

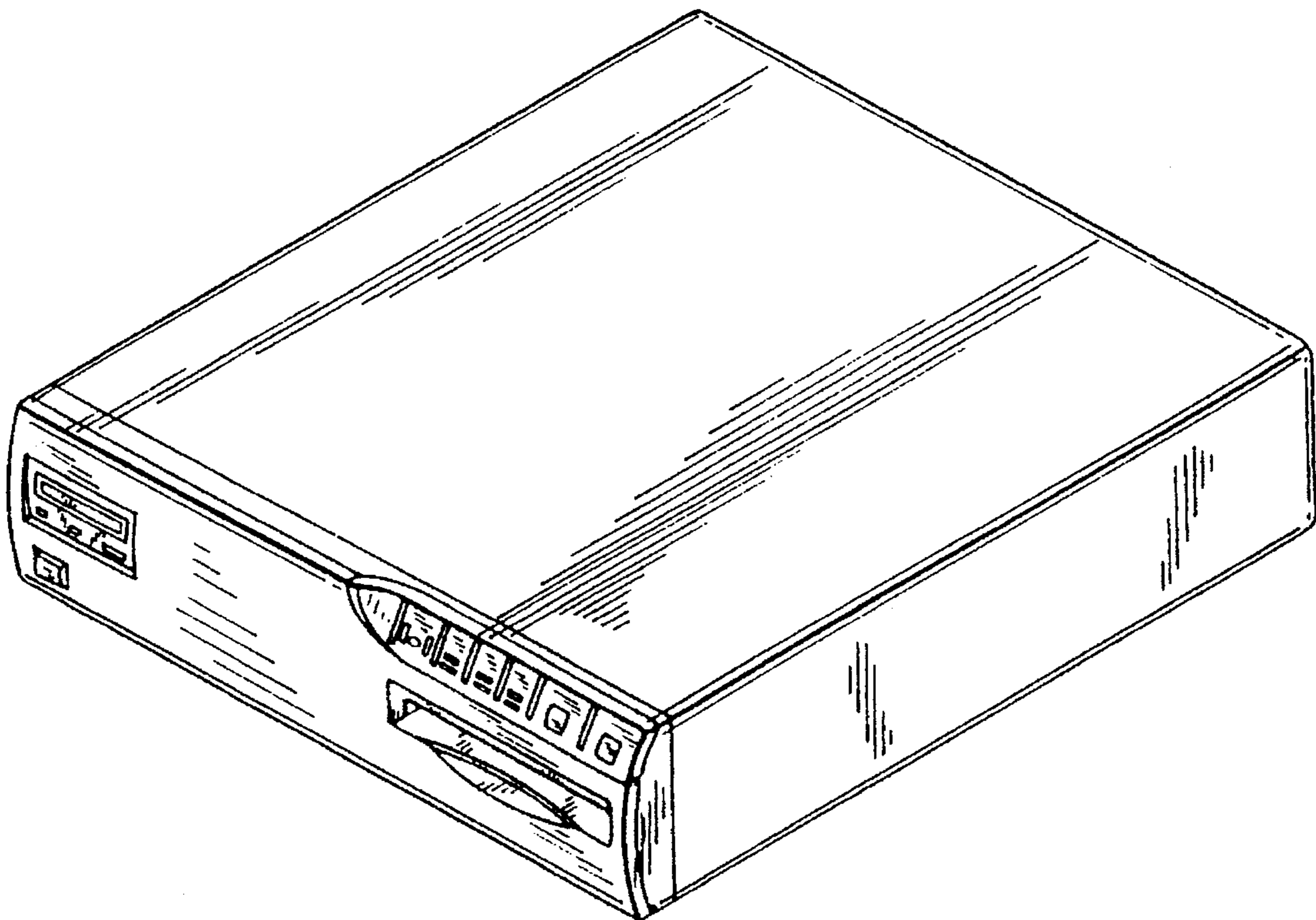


FIG. 1

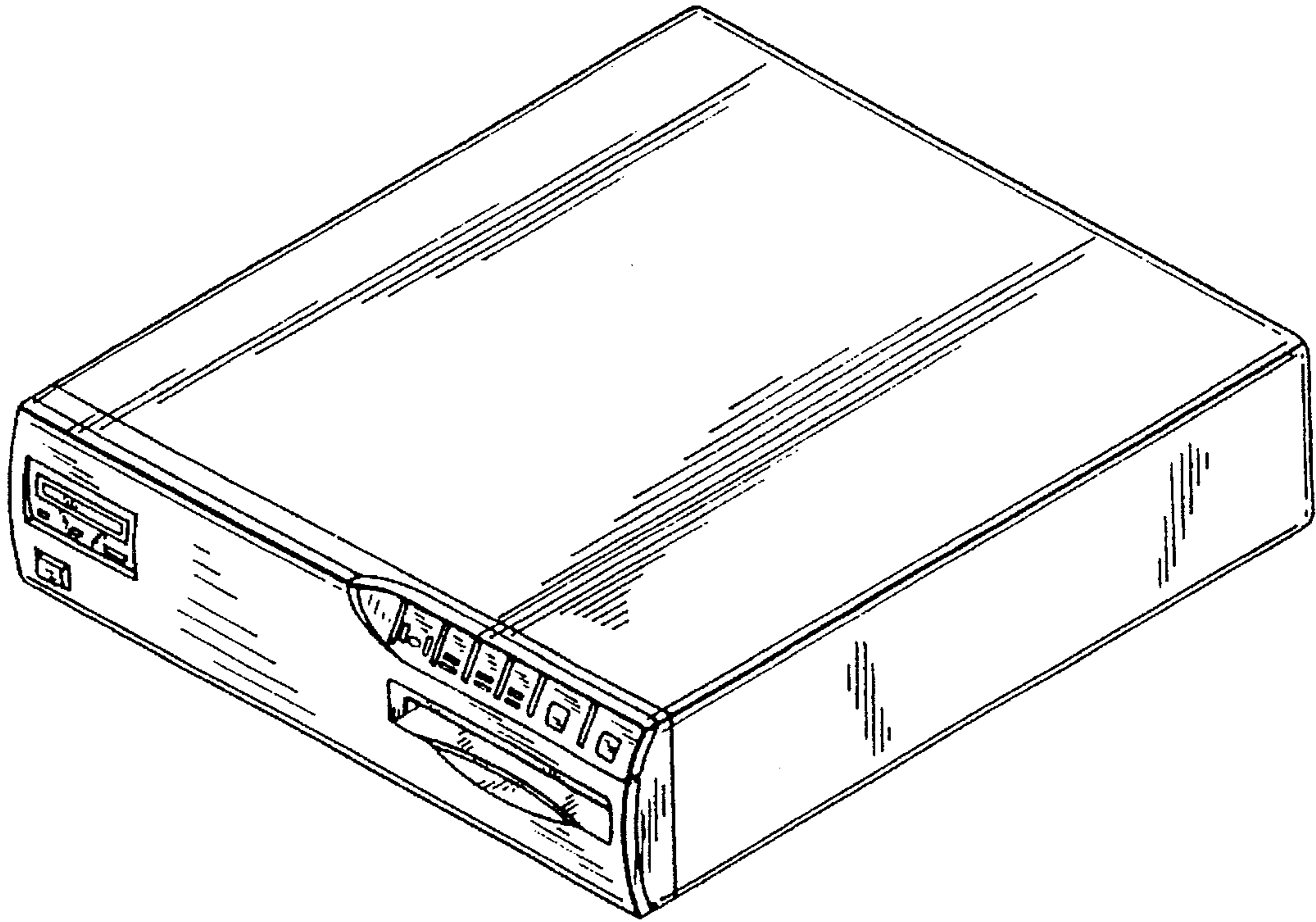


FIG. 2

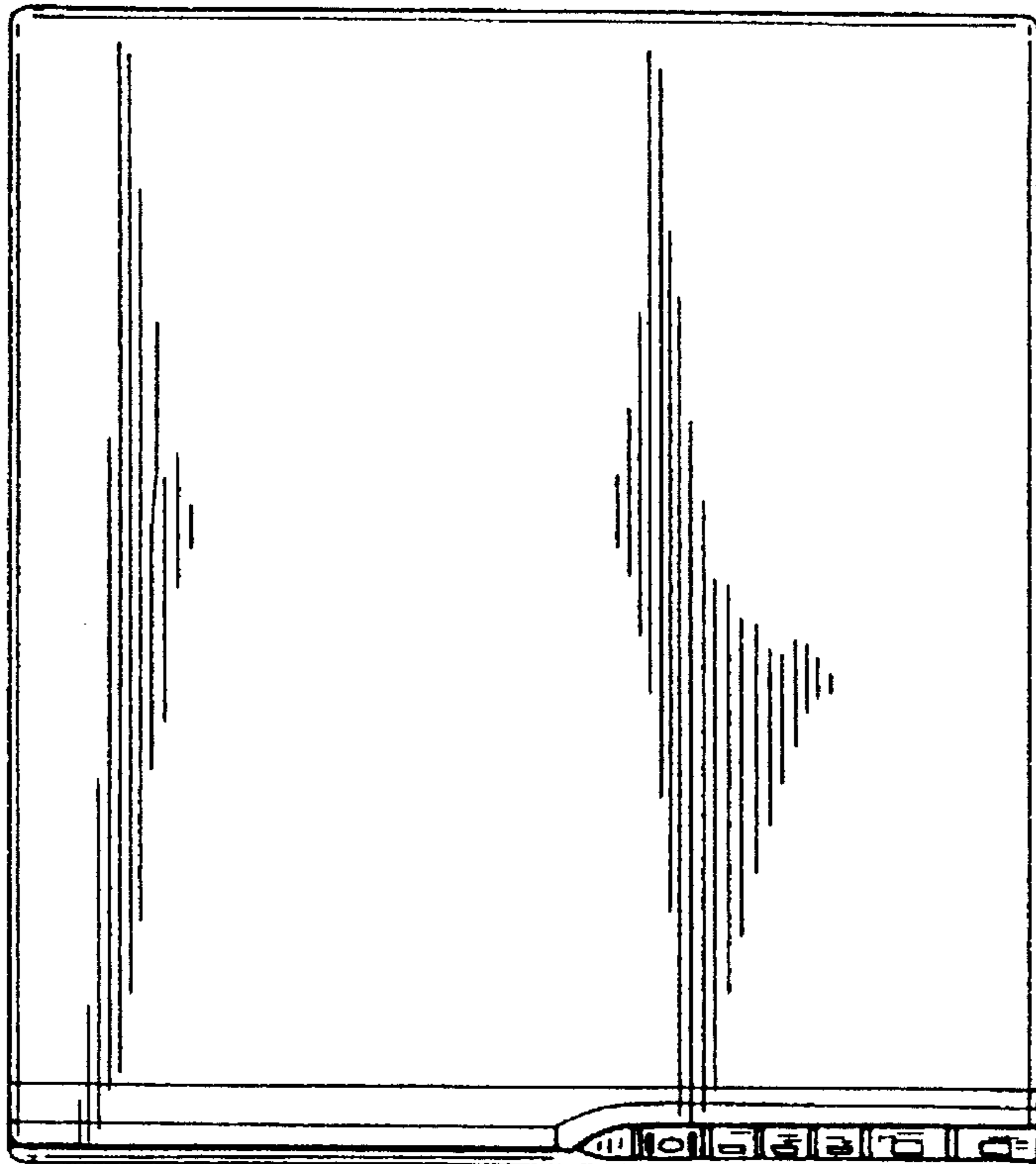


FIG. 3

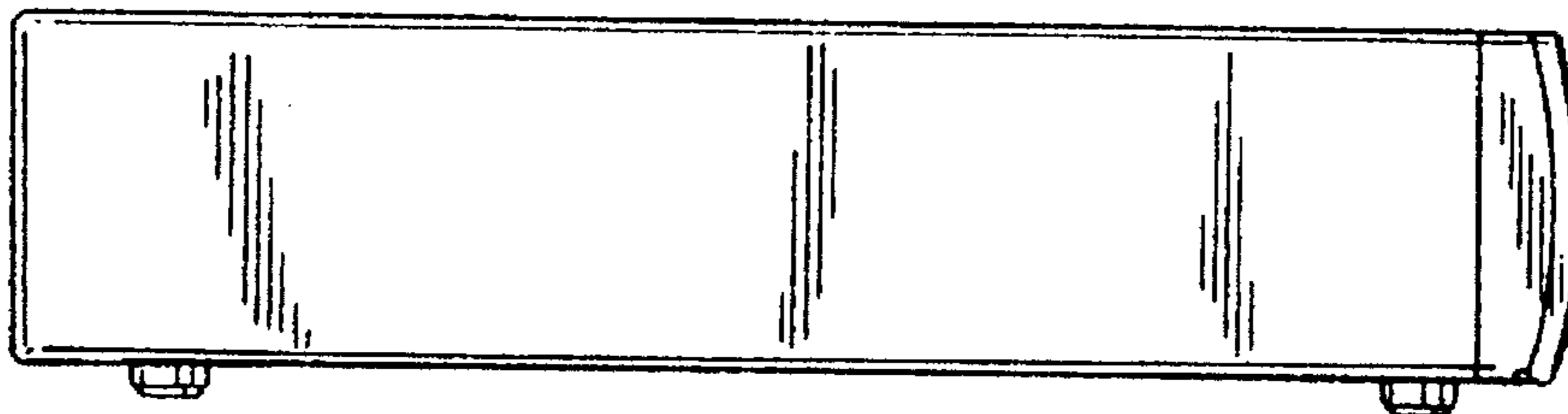


FIG. 4

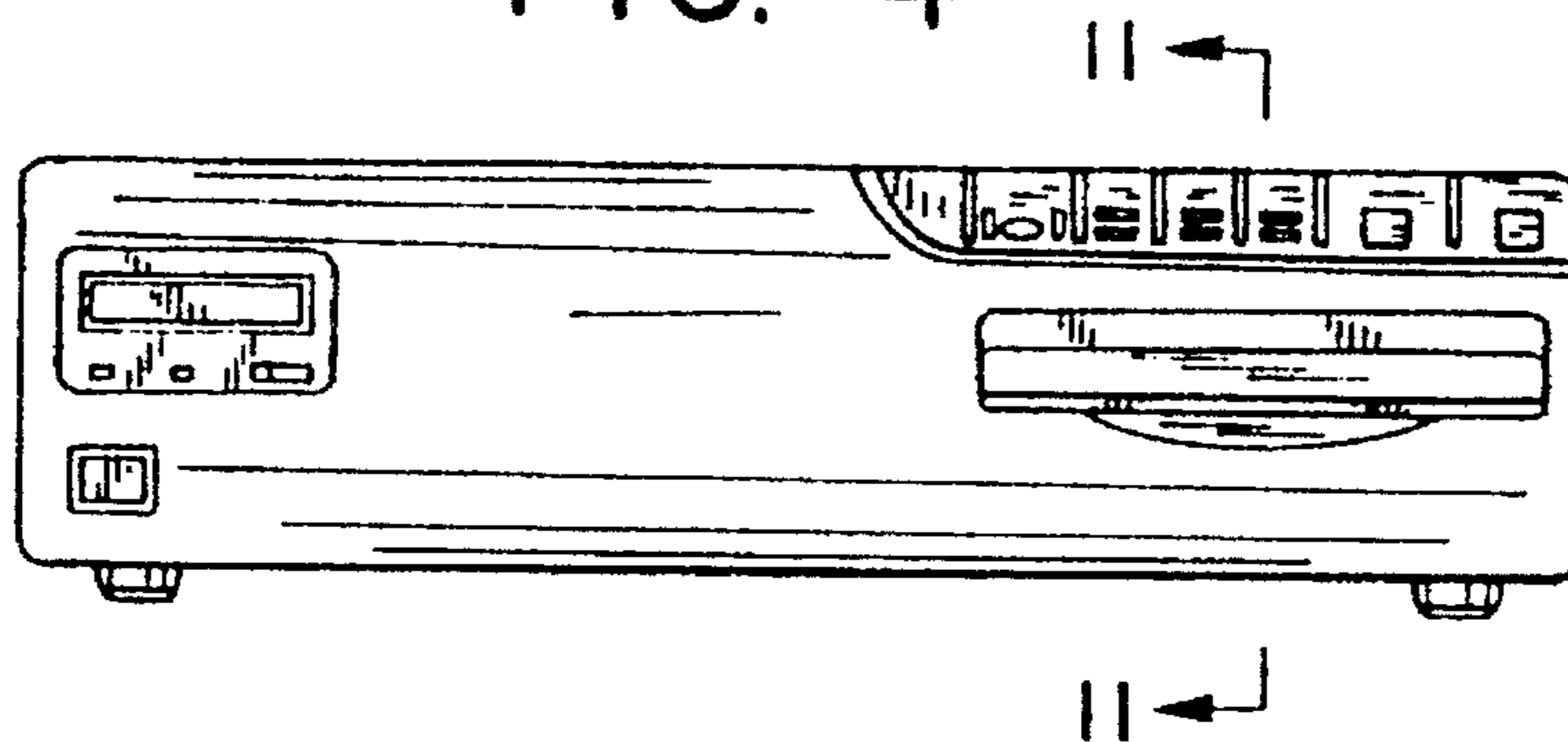


FIG. 5

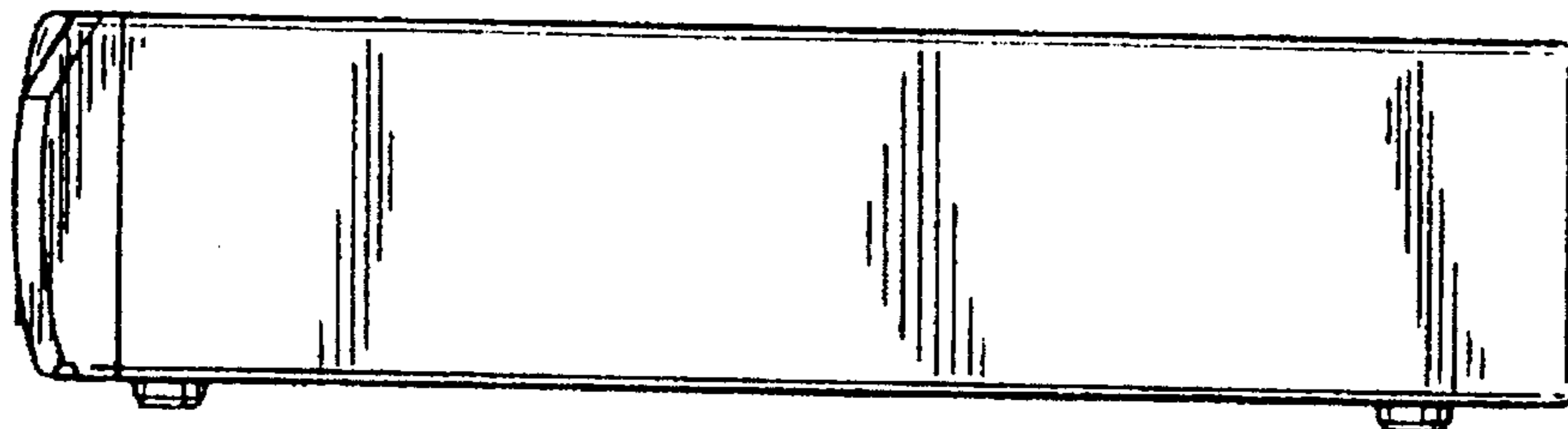


FIG. 6

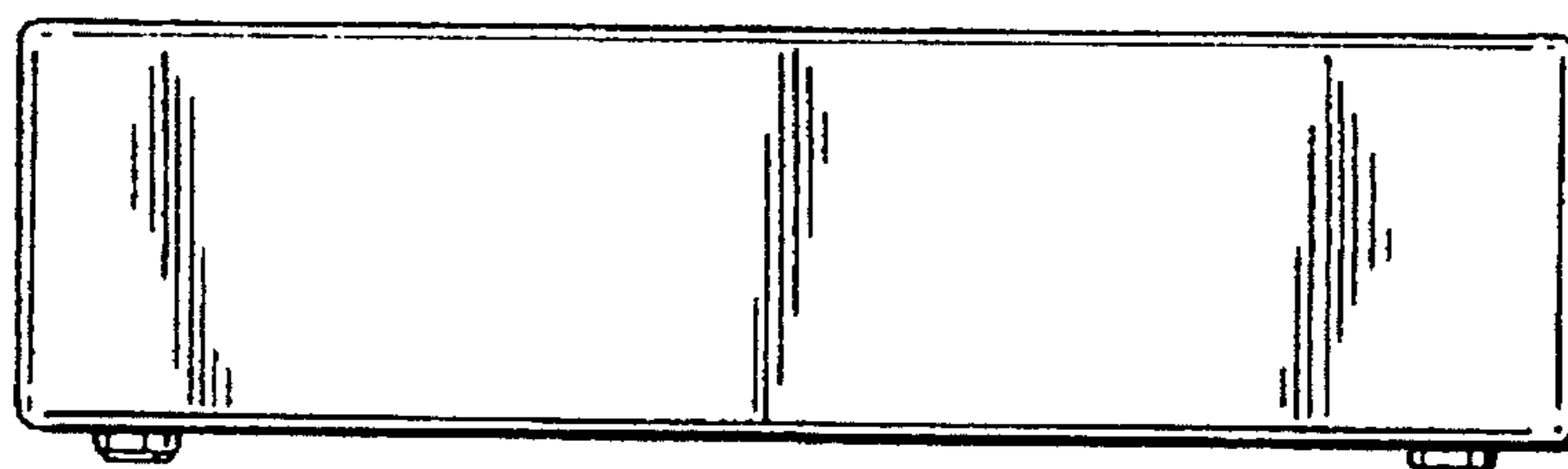


FIG. 8

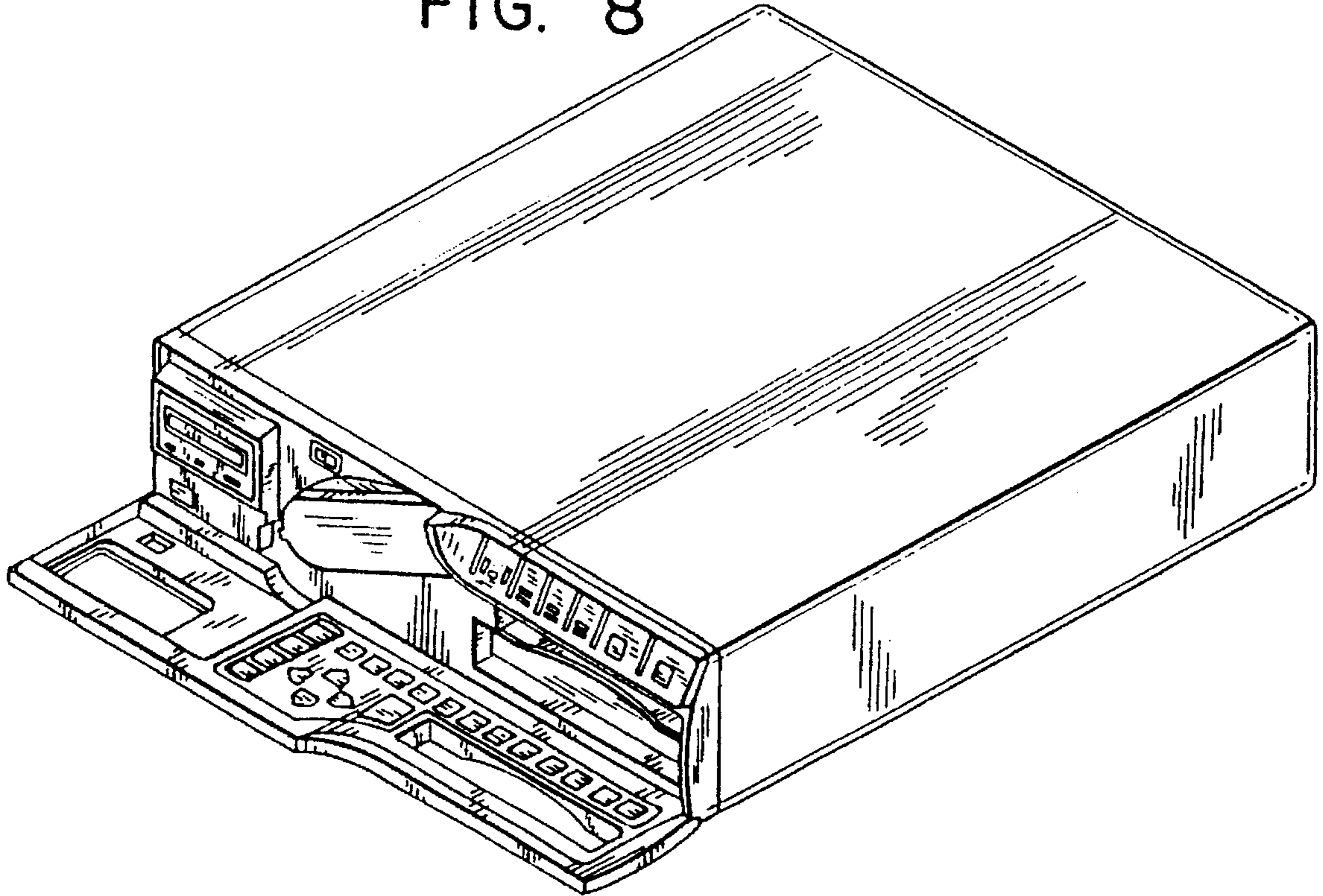


FIG. 7

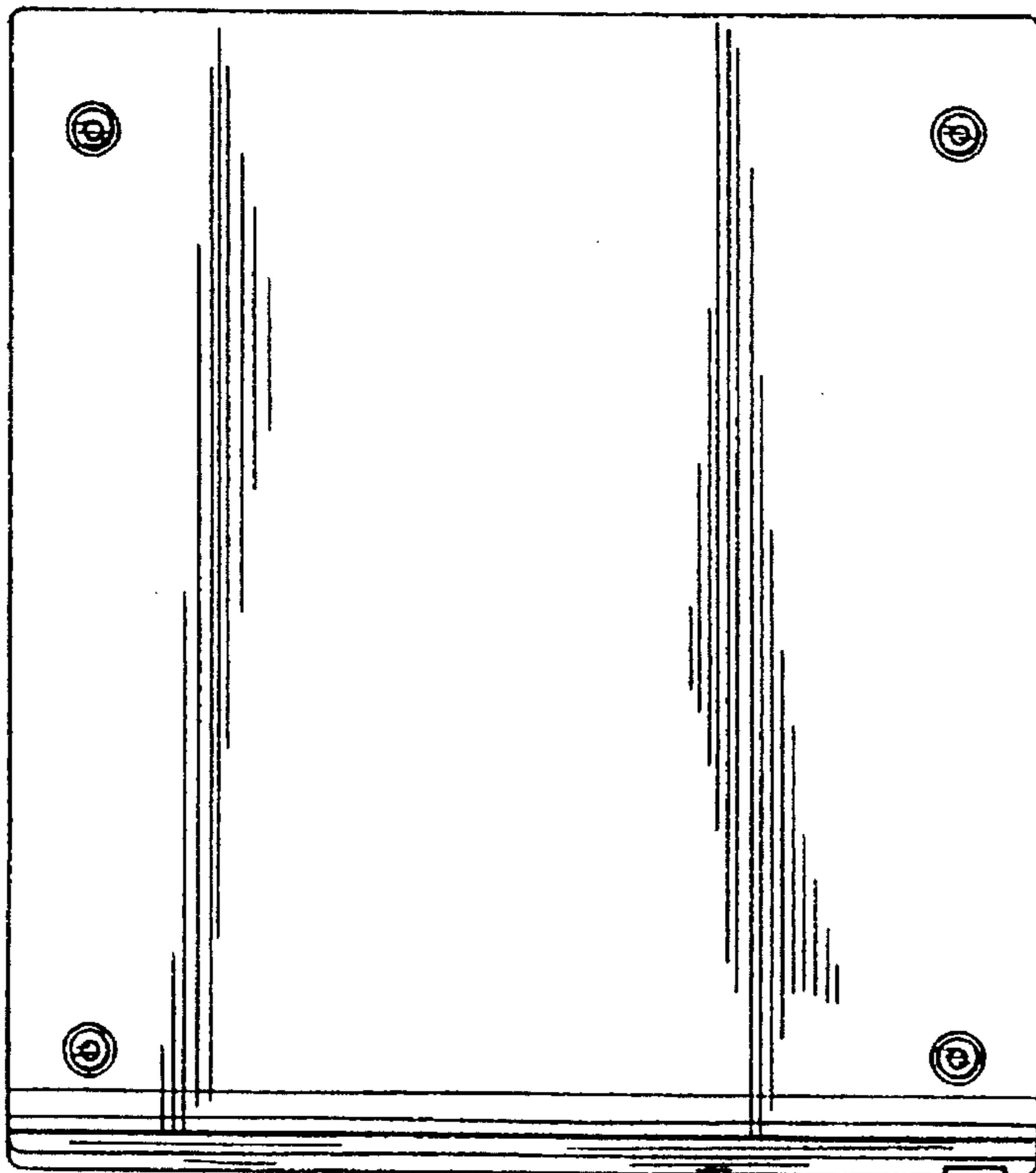


FIG. 9

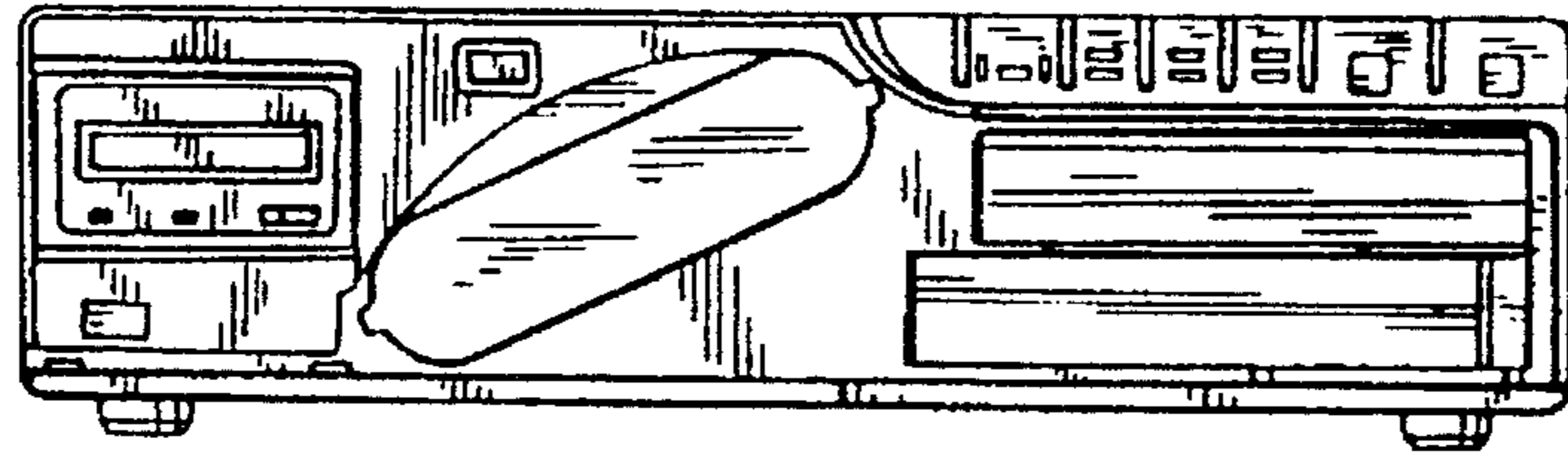


FIG. 10

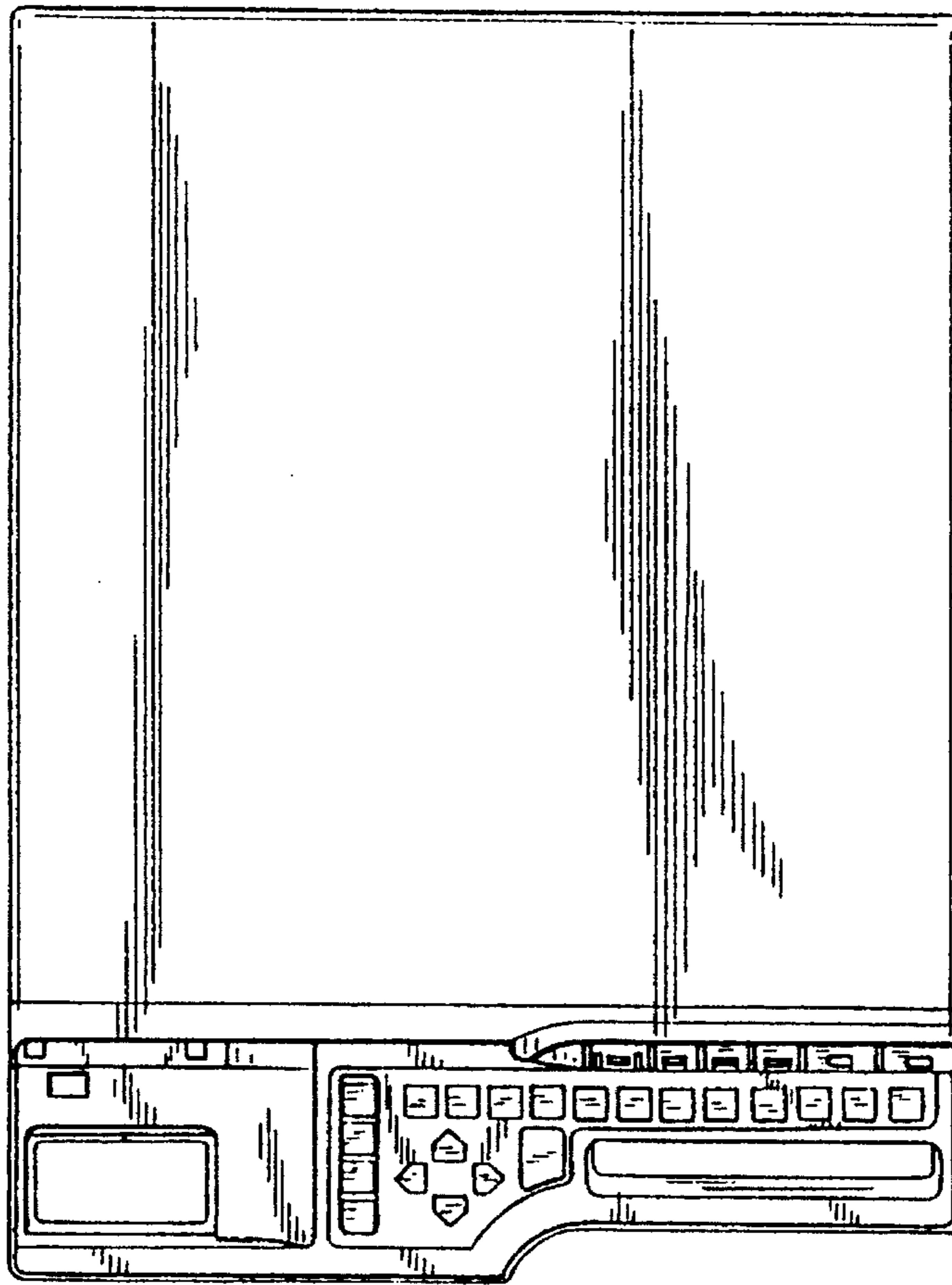


FIG. 11

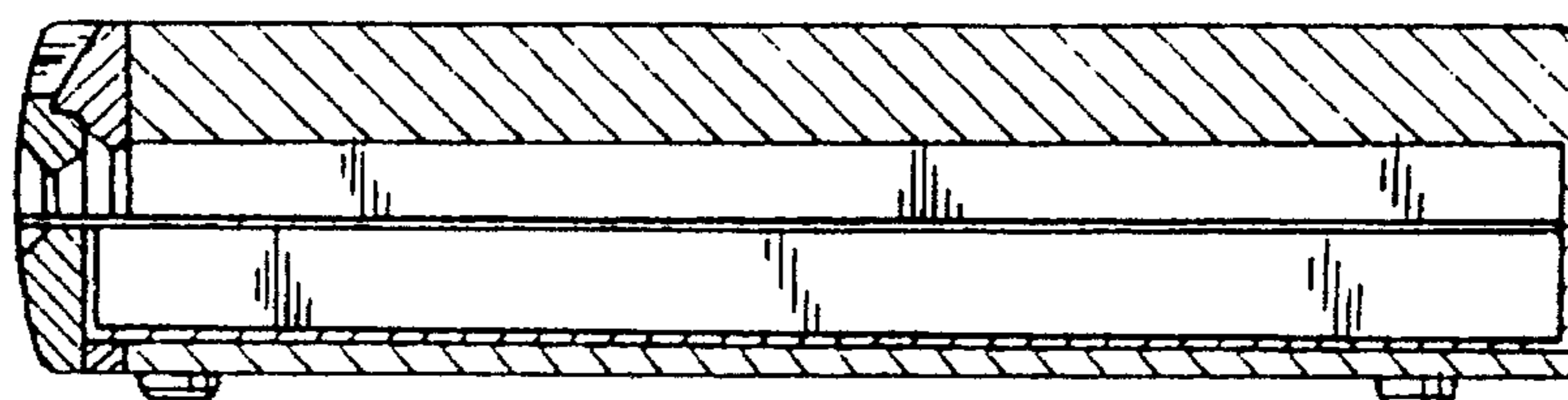


FIG. 12

