



US00D374024S

# United States Patent [19]

[11] Patent Number: **Des. 374,024**

**Onoda**

[45] Date of Patent: **\*\*Sep. 24, 1996**

[54] **LIQUID CRYSTAL VIDEO PROJECTOR**

Sharp Catalog of Sep. 1993, 2 pages.

[75] Inventor: **Akira Onoda**, Ehime, Japan

Fujix HHP-40 Catalog of May 1991, 2 pages.

[73] Assignee: **Matsushita Electric Industrial Co., Ltd.**, Osaka, Japan

*Primary Examiner*—Ted Shooman  
*Assistant Examiner*—Adir Aronovich  
*Attorney, Agent, or Firm*—Sughrue Mion Zinn Macpeak & Seas

[\*\*] Term: **14 Years**

[21] Appl. No.: **40,289**

### [57] CLAIM

[22] Filed: **Jun. 14, 1995**

The ornamental design for a liquid crystal video projector, as shown and described.

### [30] Foreign Application Priority Data

### DESCRIPTION

Dec. 14, 1994 [JP] Japan ..... 6-38342

[52] U.S. Cl. .... **D16/221; D16/225; D16/230**

[58] Field of Search ..... D16/200-205,  
D16/208, 213, 221, 225, 230, 231, 234;  
348/373-376; 353/115, 119, 122

FIG. 1 is a perspective view of the front, top and left side of a liquid crystal video projector showing my new design;

FIG. 2 is a perspective view of the rear, top and right side thereof;

FIG. 3 is a front elevational view thereof;

FIG. 4 is a rear elevational view thereof;

FIG. 5 is a left side elevational view thereof;

FIG. 6 is a right side elevational view thereof;

FIG. 7 is a top plan view thereof;

FIG. 8 is a bottom plan view thereof; and,

FIG. 9 is a perspective view similar to FIG. 1 with the control cover in the open position.

### [56] References Cited

#### U.S. PATENT DOCUMENTS

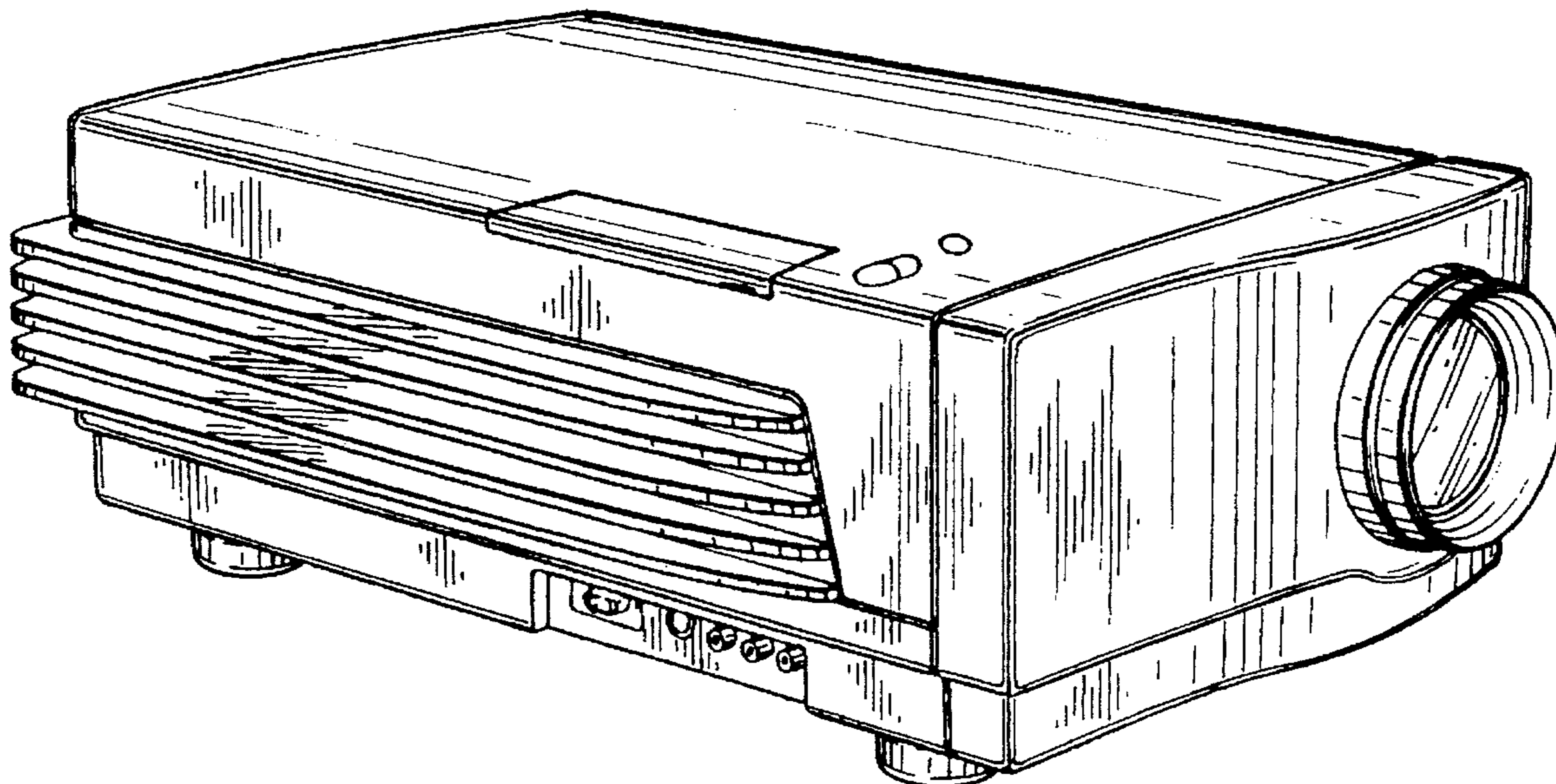
D. 227,505	6/1973	Frey	.....	D16/234
D. 331,768	12/1992	Saeki	.....	D16/225
D. 343,850	2/1994	Saeki et al.	.....	D16/234
D. 350,106	8/1994	Ina	.....	D16/234
2,916,964	12/1959	Paulsohn	.....	353/115

#### OTHER PUBLICATIONS

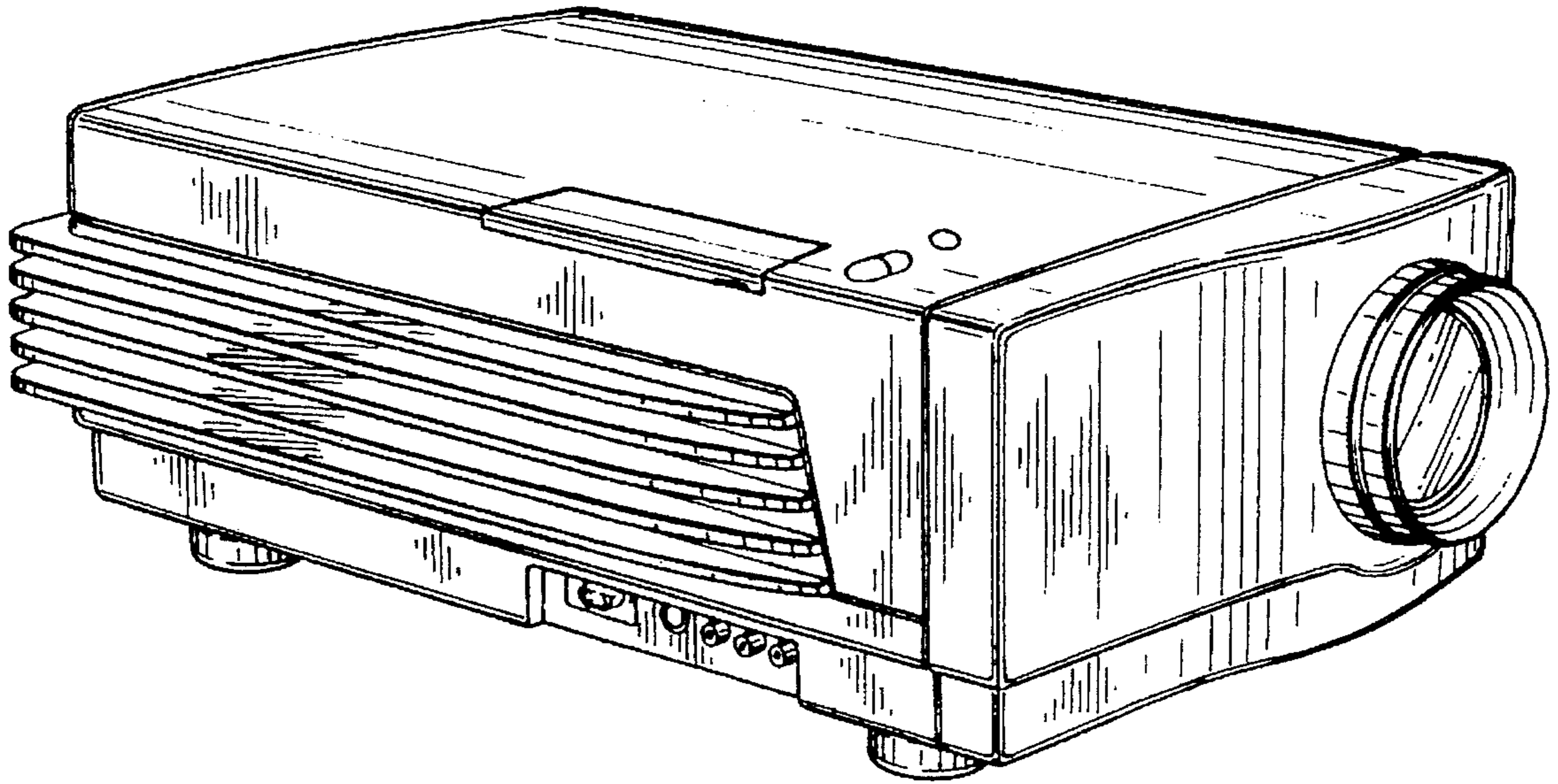
The British Journal Of Photography, Apr. 1971 (Bolex Multimatic Projector).

Sharp Catalog of Aug. 1993, 1 page.

**1 Claim, 4 Drawing Sheets**



*FIG. 1*



*FIG. 2*

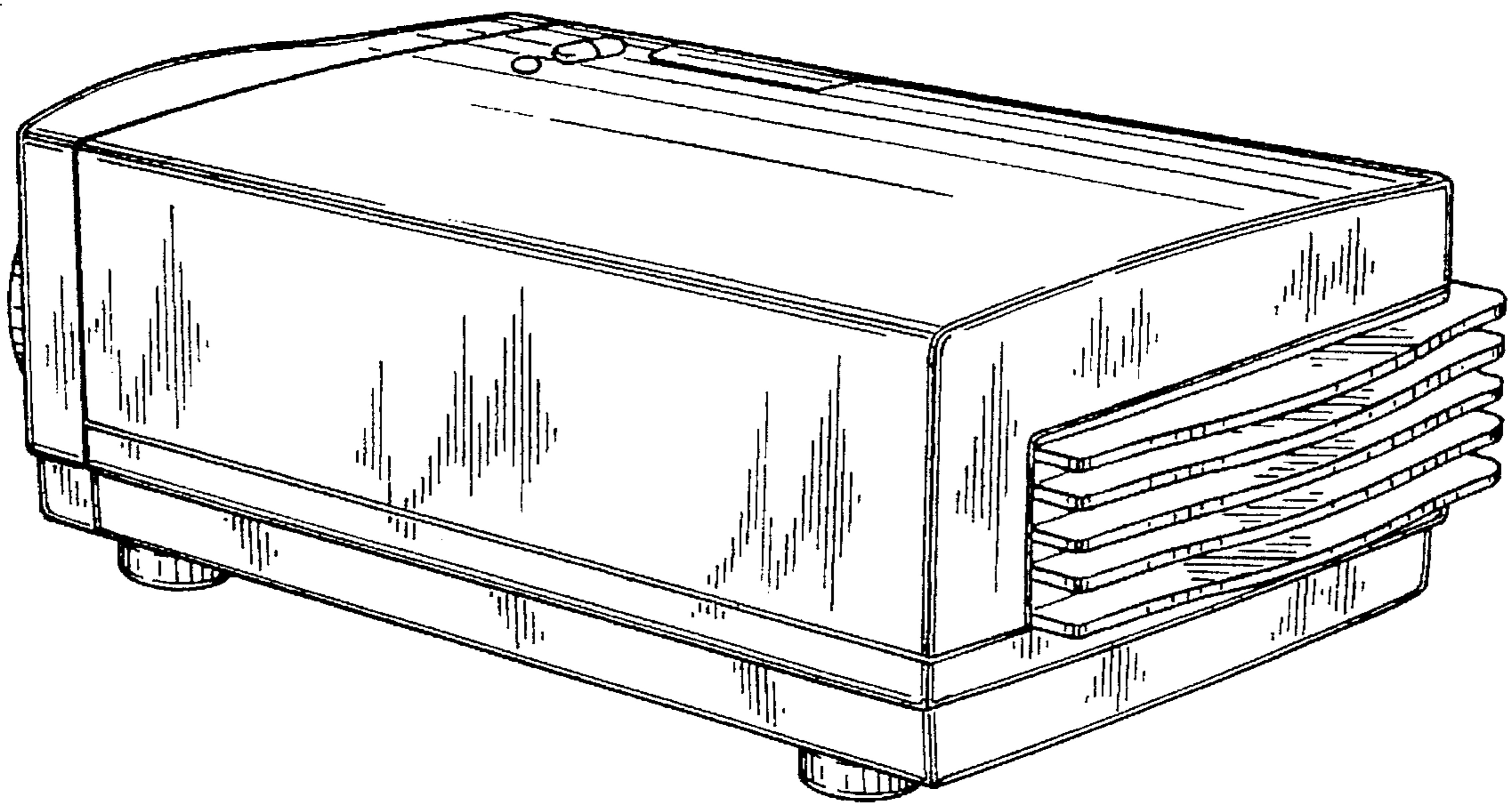


FIG. 3

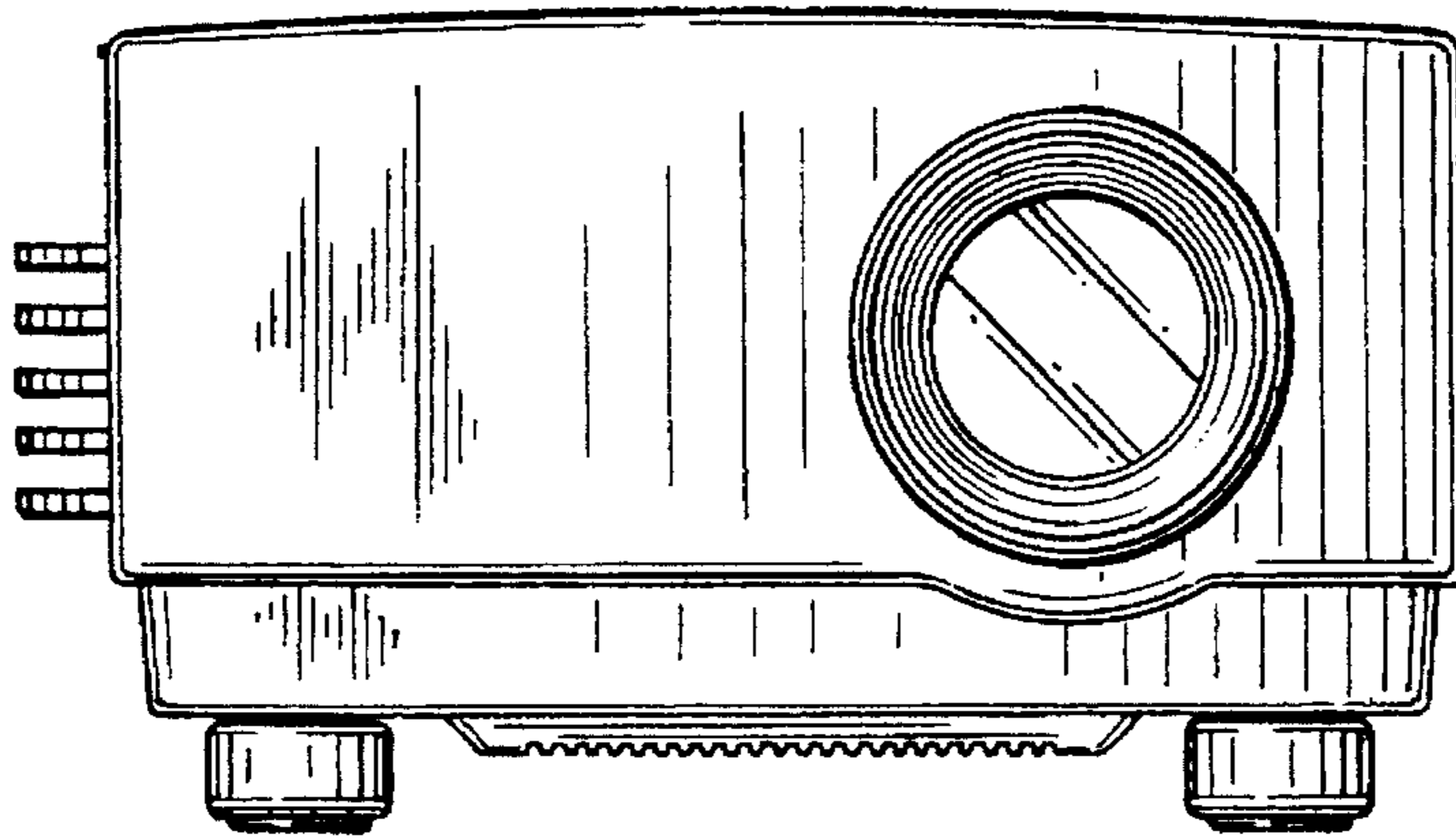


FIG. 4

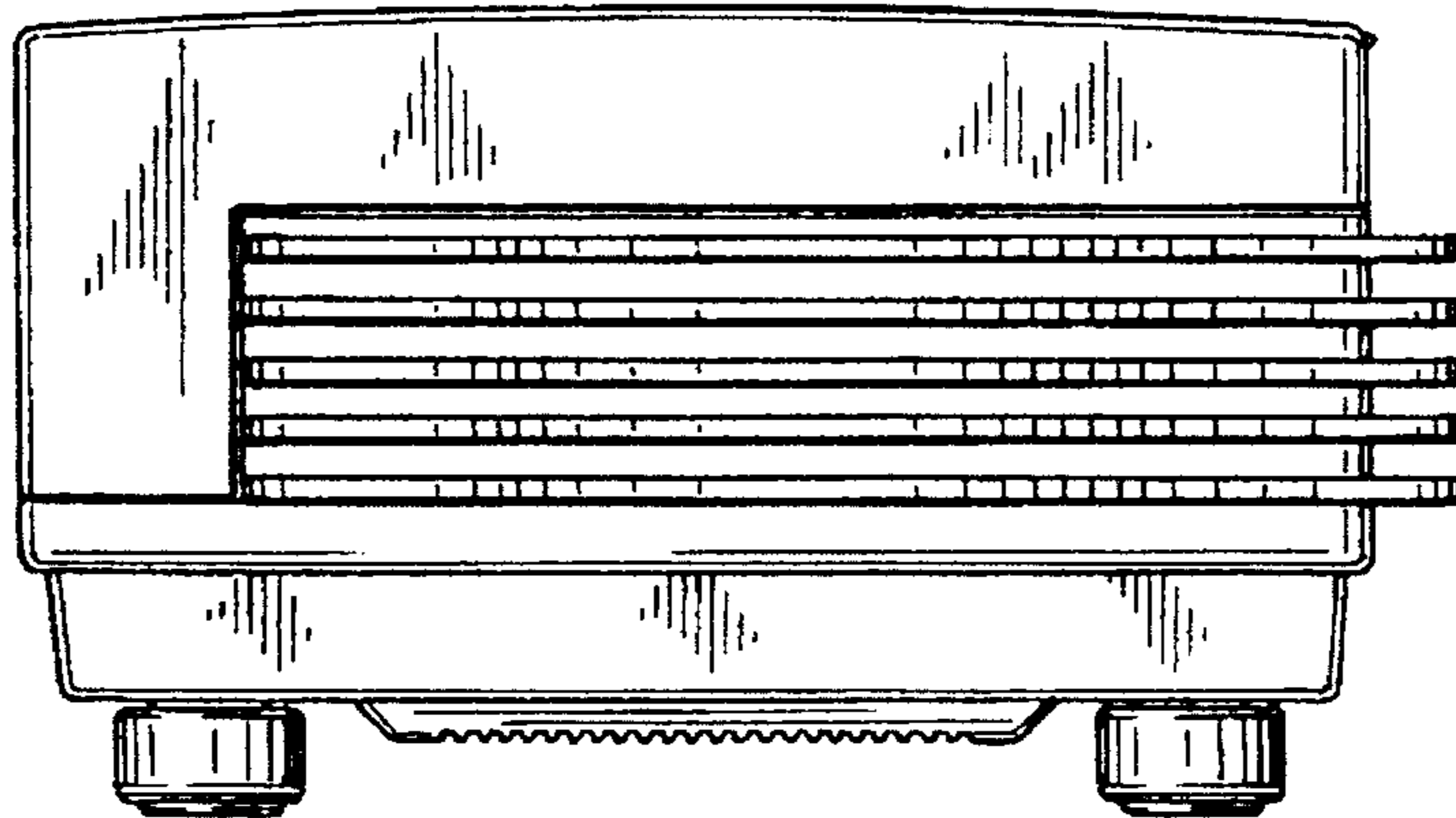


FIG. 5

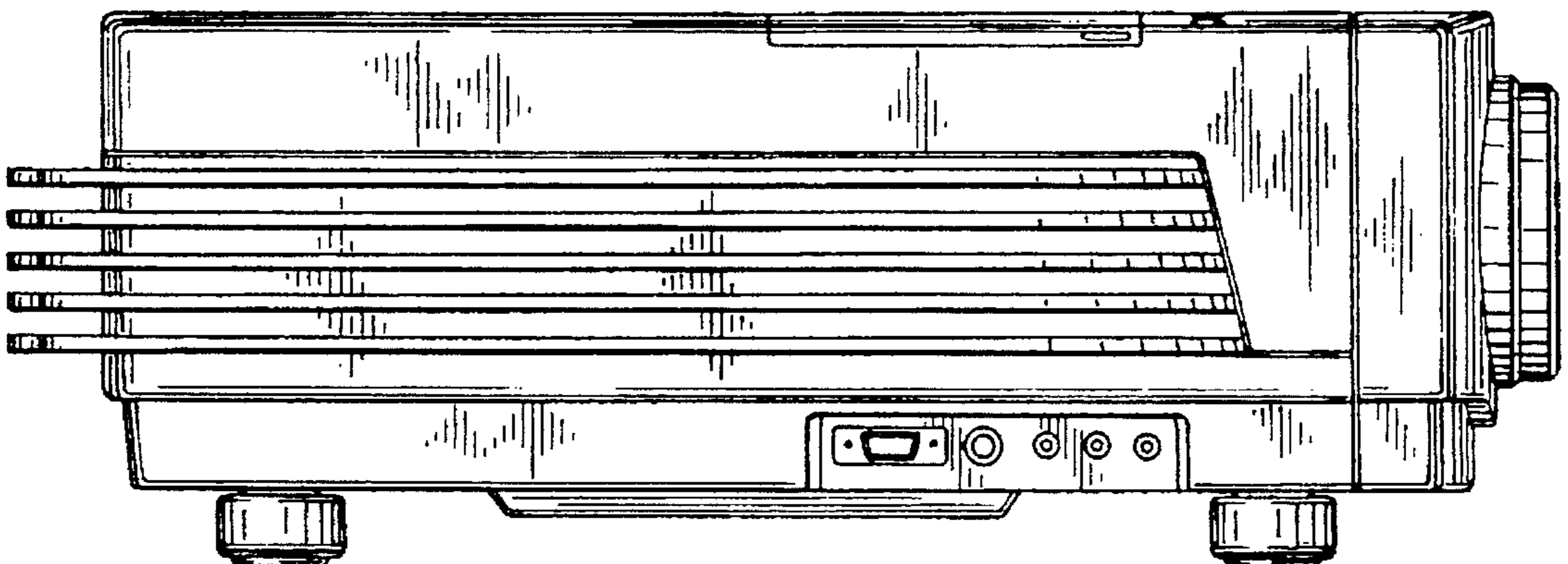


FIG. 6

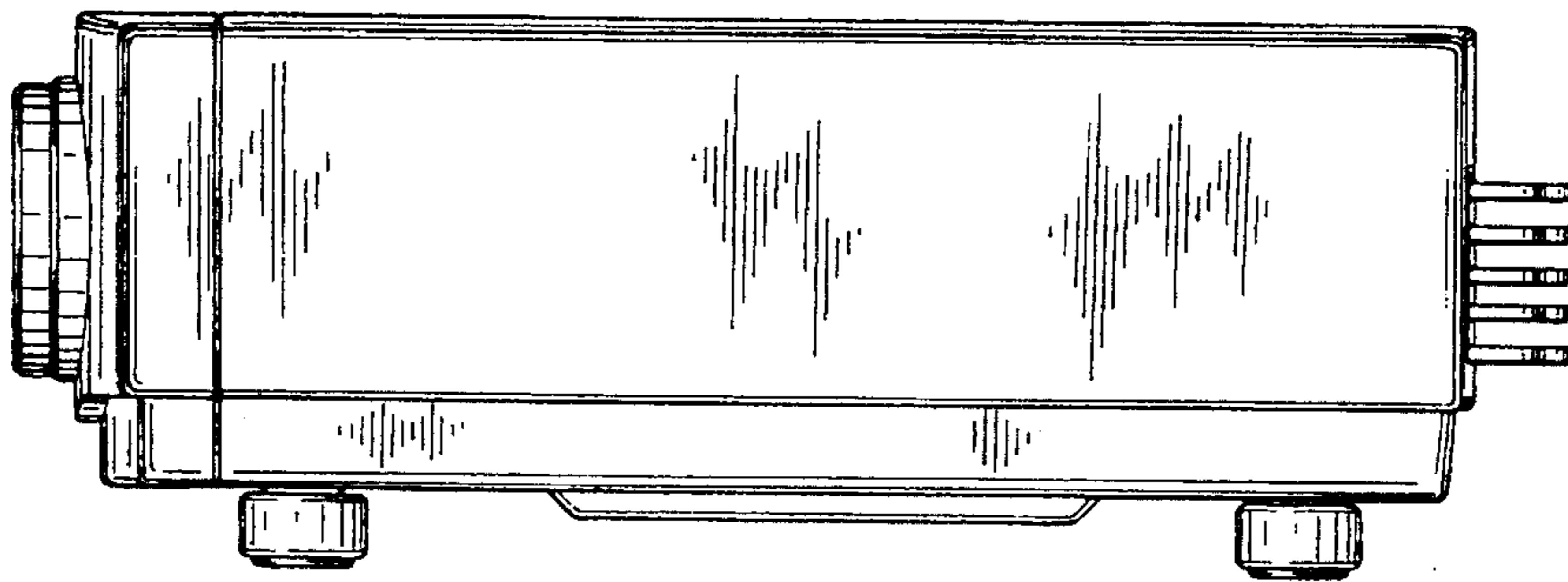


FIG. 7

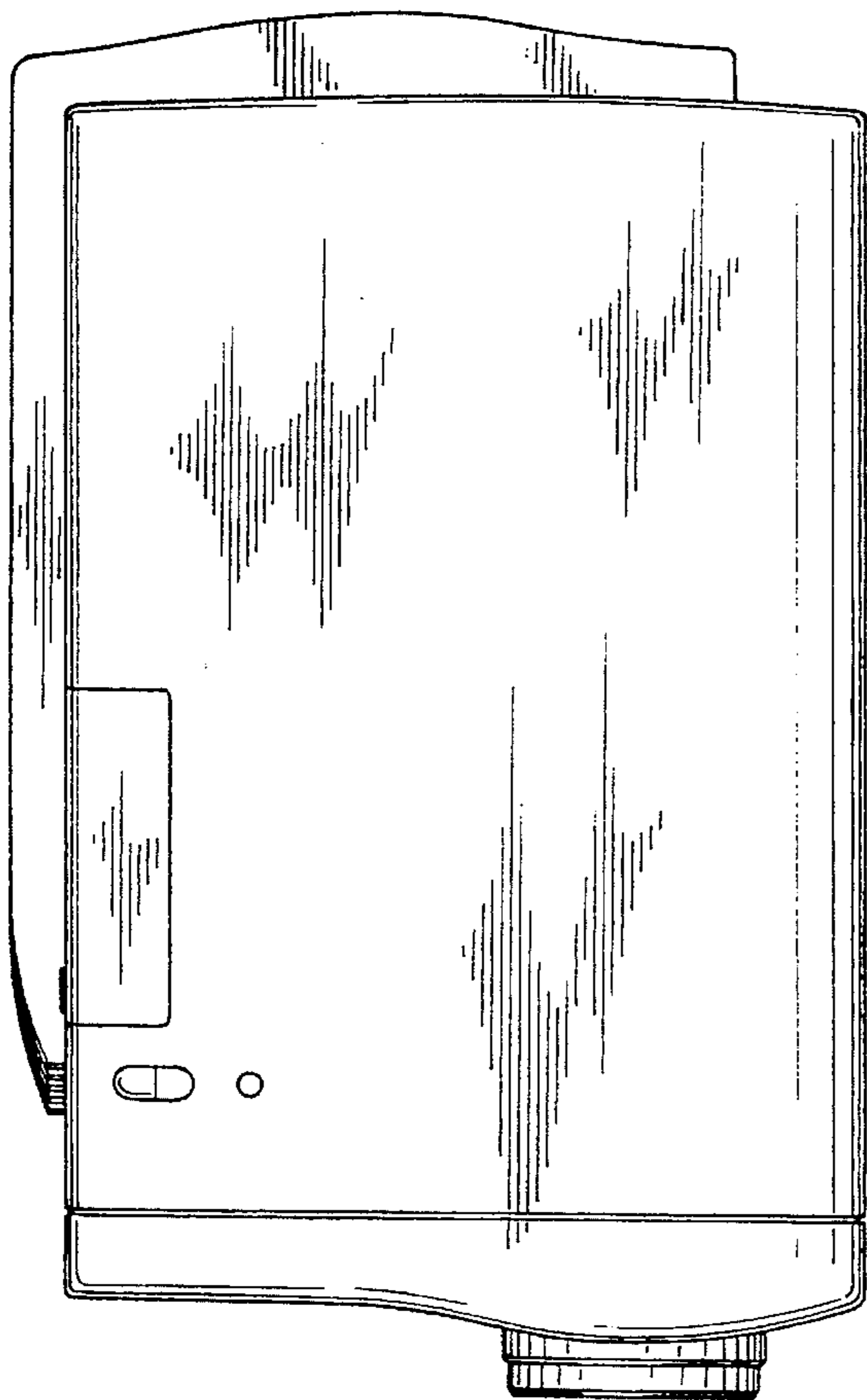
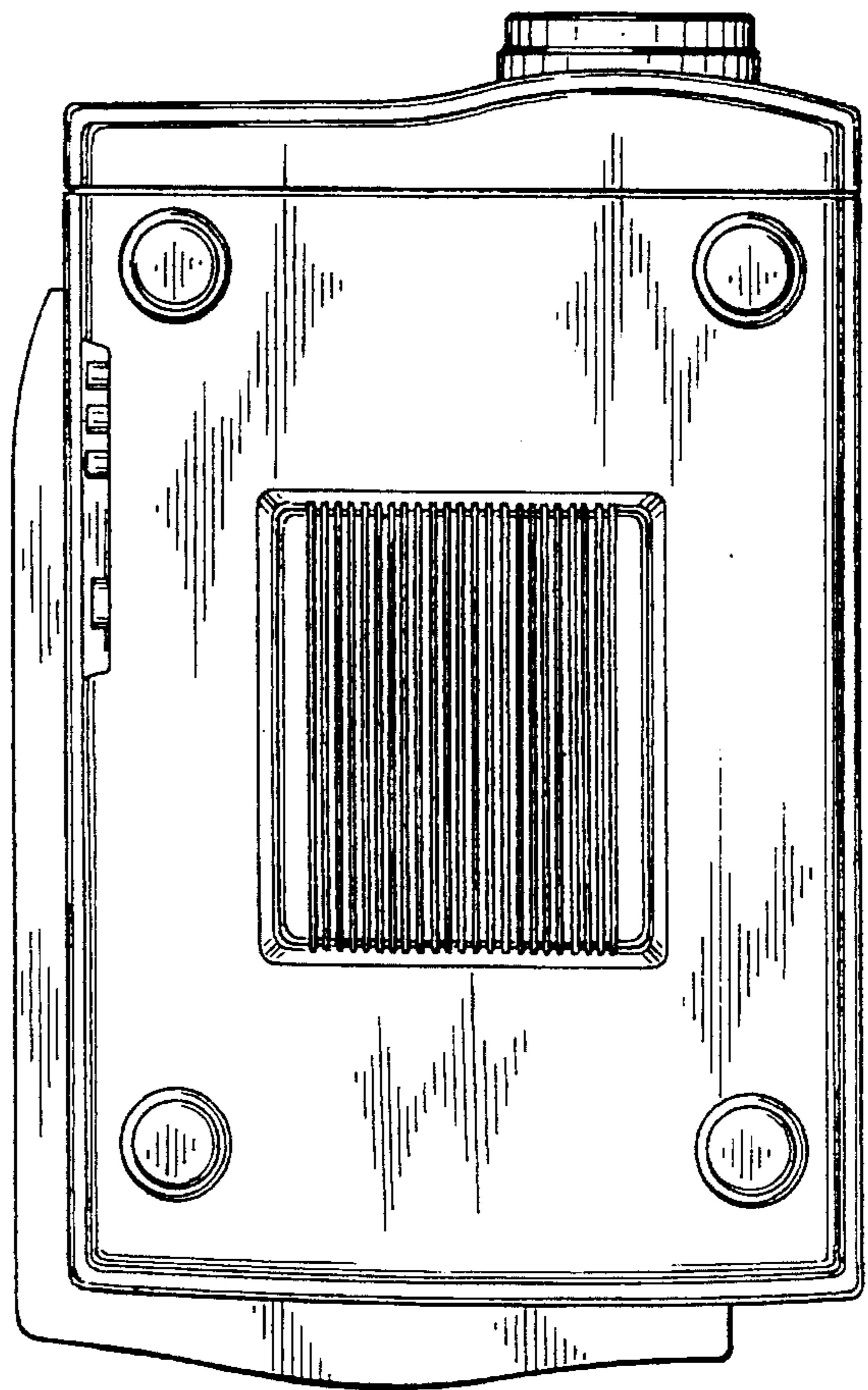


FIG. 8



*FIG. 9*

