



US00D374023S

United States Patent [19]

Beck et al.

[11] Patent Number: Des. 374,023

[45] Date of Patent: **Sep. 24, 1996

[54] REMOTELY CONTROLLED CAMERA

[75] Inventors: **Benjamin J. Beck**, Boston; **Anthony M. Duys**, Newburyport, both of Mass.; **Frank Labuski**, Wells, Me.

[73] Assignee: **PictureTel Corporation**, Danvers, Mass.

[**] Term: **14 Years**

[21] Appl. No.: **40,801**

[22] Filed: **Jun. 27, 1995**

[52] U.S. Cl. **D16/202**

[58] Field of Search D16/200-205; 348/207, 209, 13-20, 143; 354/81, 82, 288, 293; 358/906, 909.1; 379/53, 54; H04N 5/225

[56] References Cited

U.S. PATENT DOCUMENTS

D. 315,742	3/1991	Matsumota	D16/205
D. 355,920	2/1995	Shinano	D16/202
D. 359,499	6/1995	Gower et al.	D16/202
D. 364,632	11/1995	Nakashima et al.	D16/202
5,359,362	10/1994	Lewis et al.	348/20
5,374,952	12/1994	Flohr	348/15

OTHER PUBLICATIONS

Harris Corp. Catalog 1990, Cover page.

Primary Examiner—Ted Shooman

Assistant Examiner—Adir Aronovich

Attorney, Agent, or Firm—Fish & Richardson P.C.

[57] CLAIM

The ornamental design for a remotely controlled camera, as shown and described.

DESCRIPTION

FIG. 1 is a perspective view of the remotely controlled camera showing my new design;

FIG. 2 is an enlarged front view of the remotely controlled camera shown in FIG. 1;

FIG. 3 is an enlarged back view of the remotely controlled camera shown in FIG. 1;

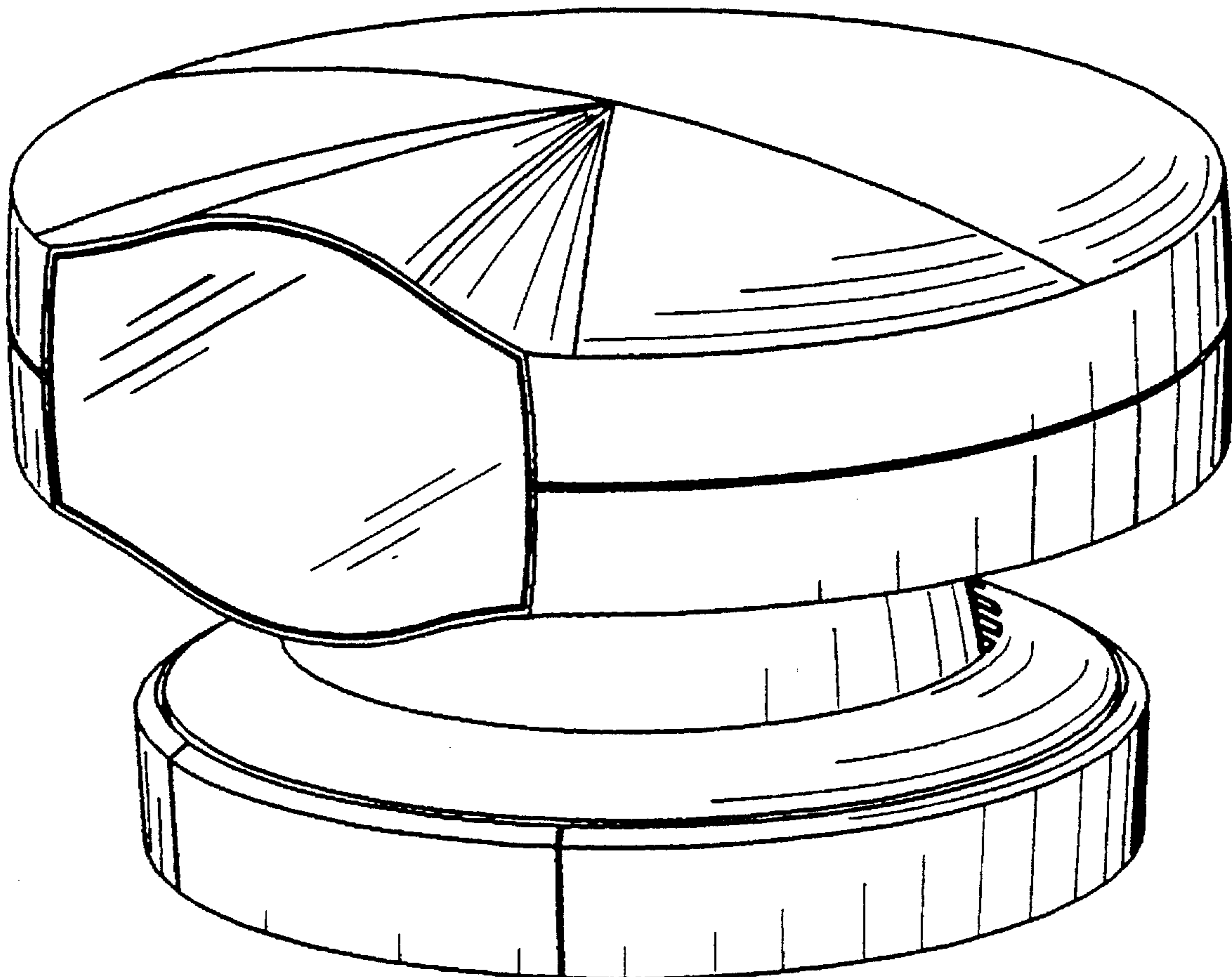
FIG. 4 is an enlarged left side view of the remotely controlled camera shown shown in FIG. 1;

FIG. 5 is an enlarged right side view of the remotely controlled camera shown in FIG. 1;

FIG. 6 is an enlarged top view of the remotely controlled camera shown in FIG. 1; and,

FIG. 7 is an enlarged bottom view of the remotely controlled camera shown in FIG. 1.

1 Claim, 3 Drawing Sheets



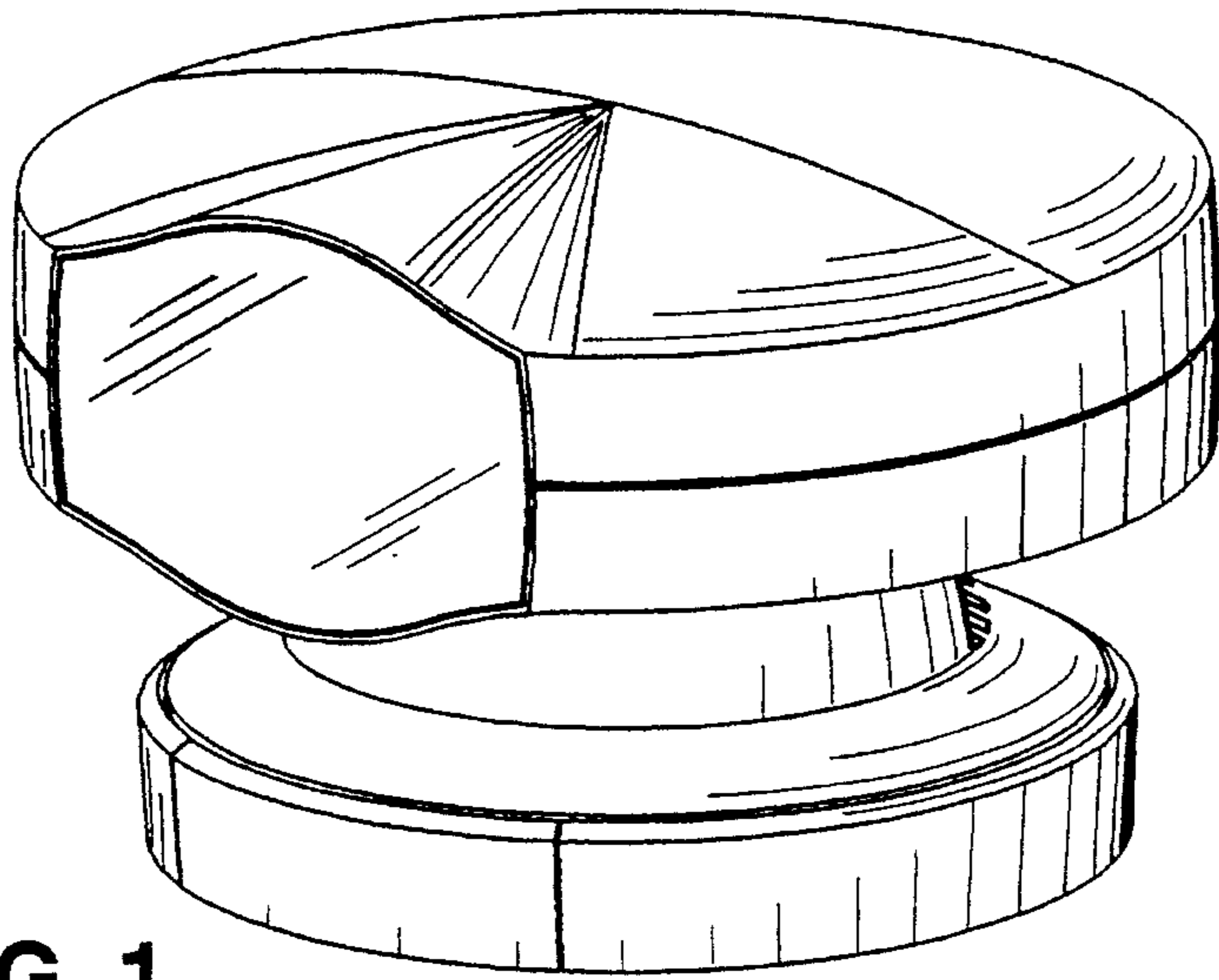


FIG. 1

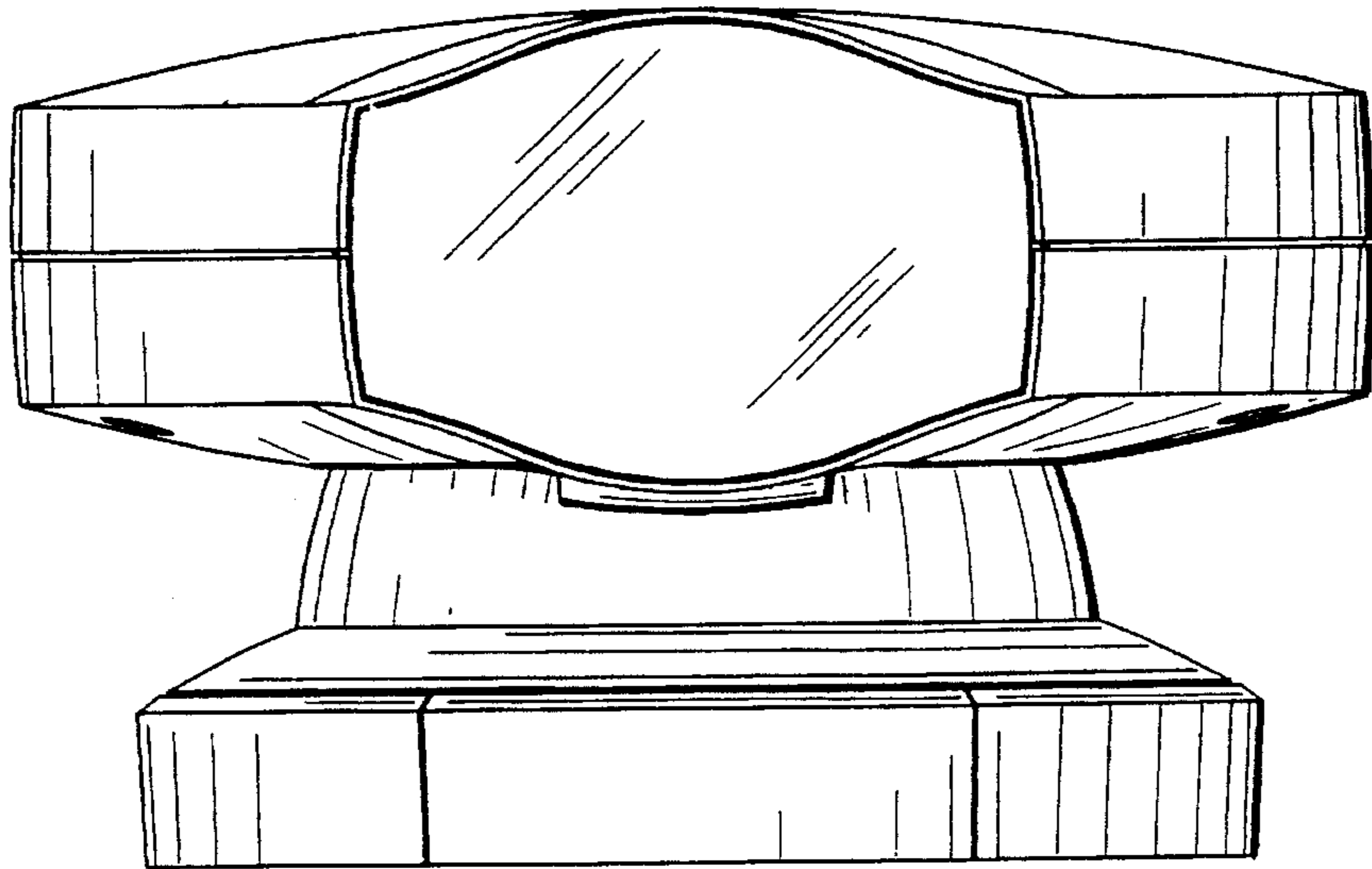


FIG. 2

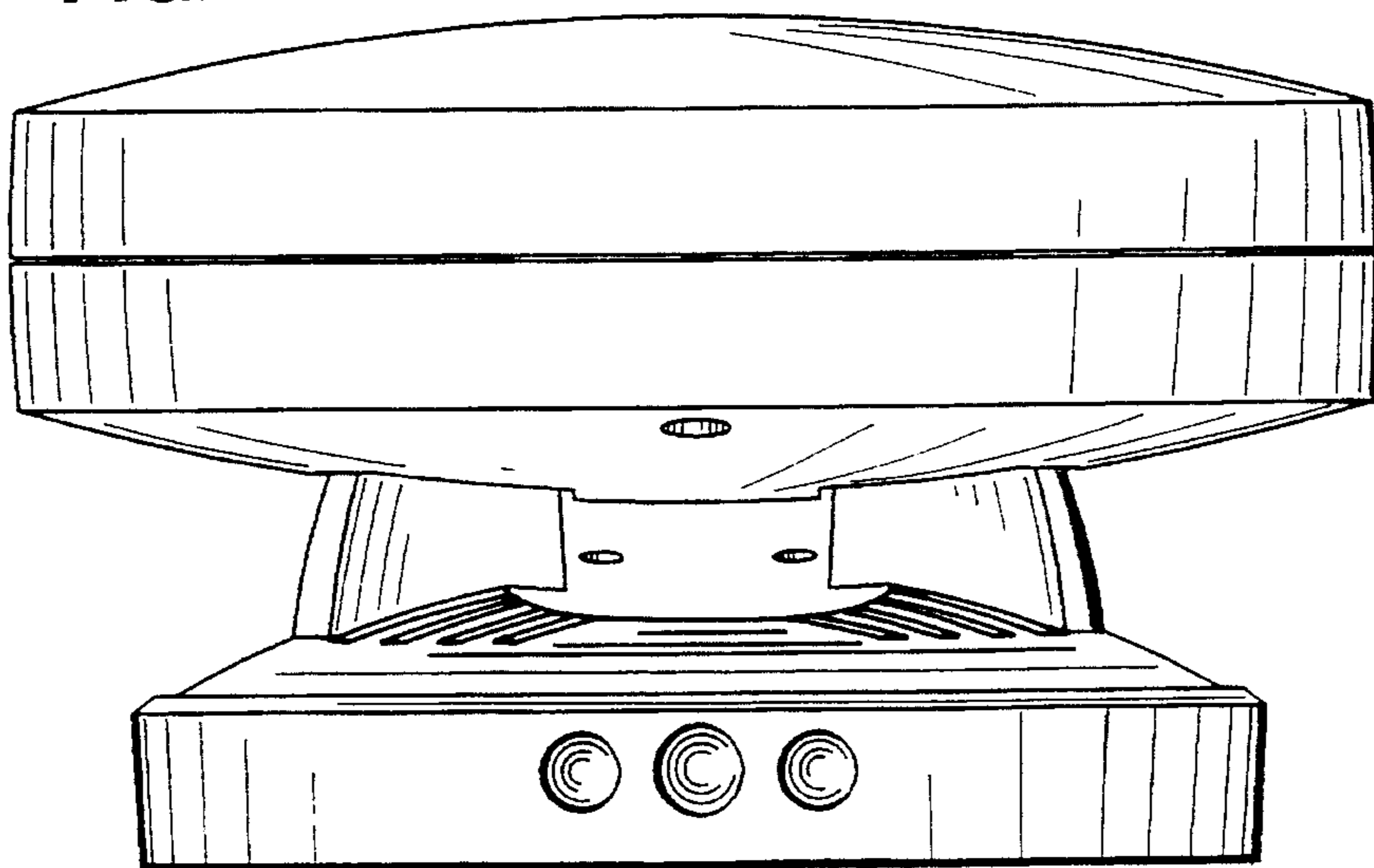


FIG. 3

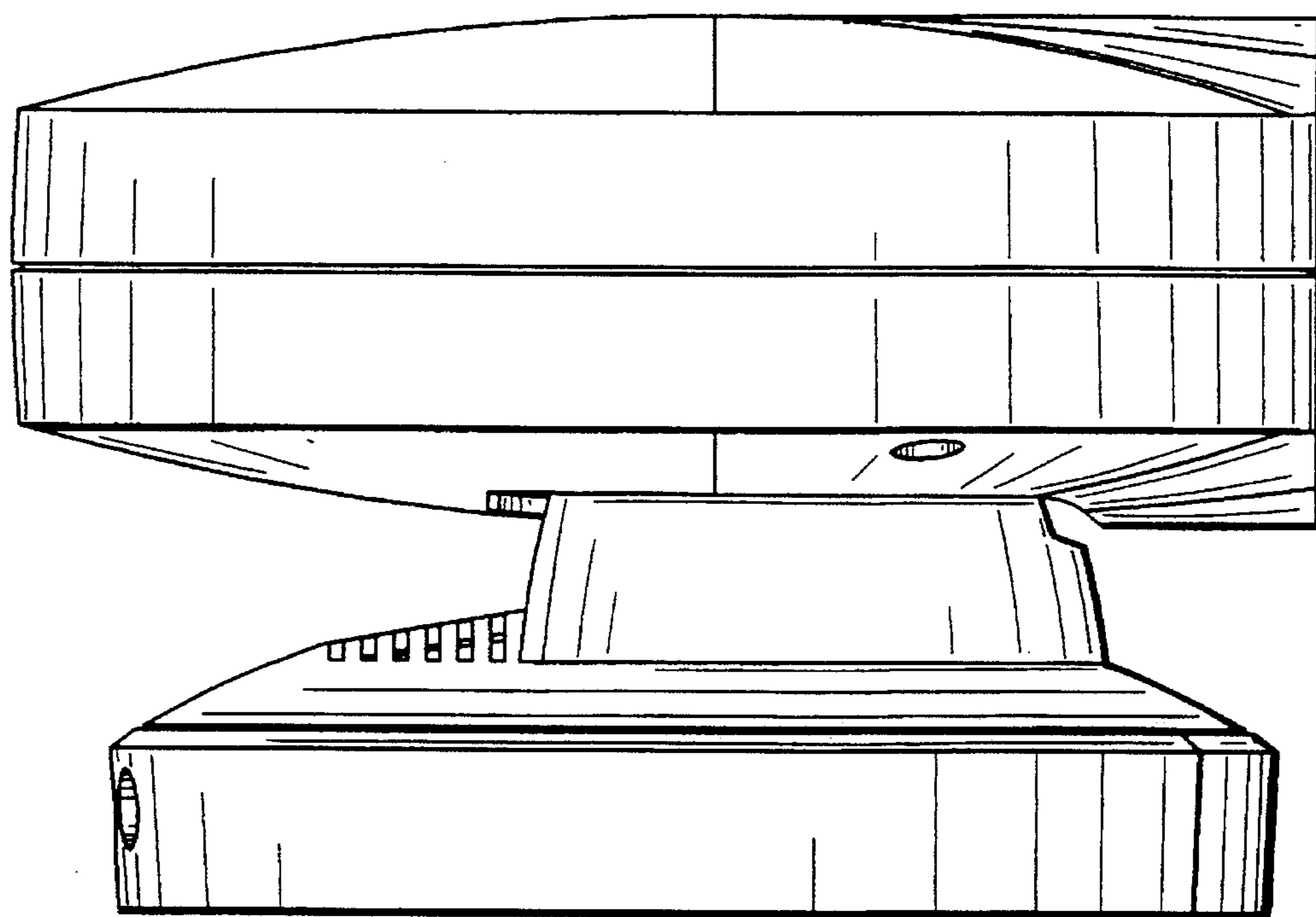


FIG. 4

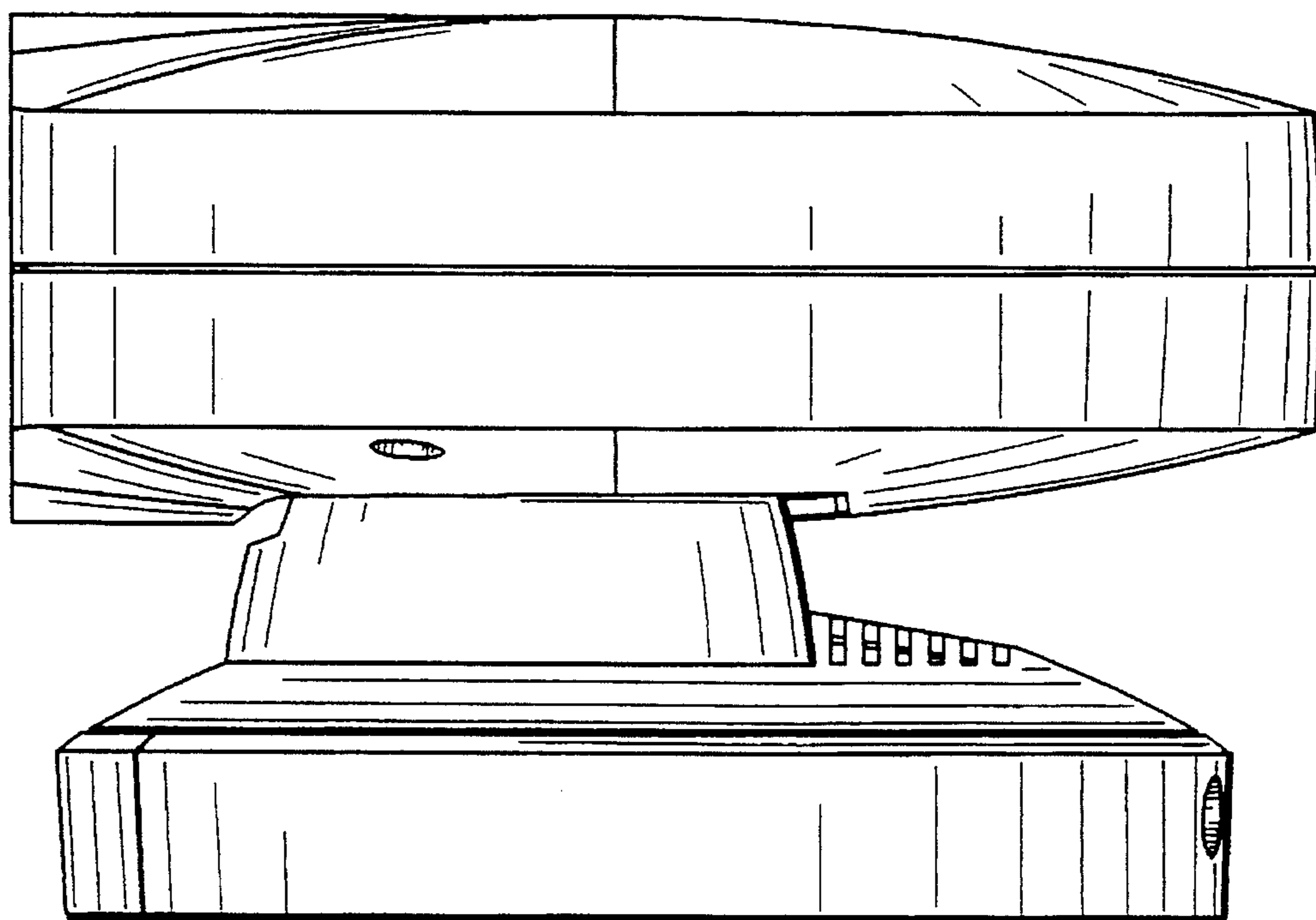


FIG. 5

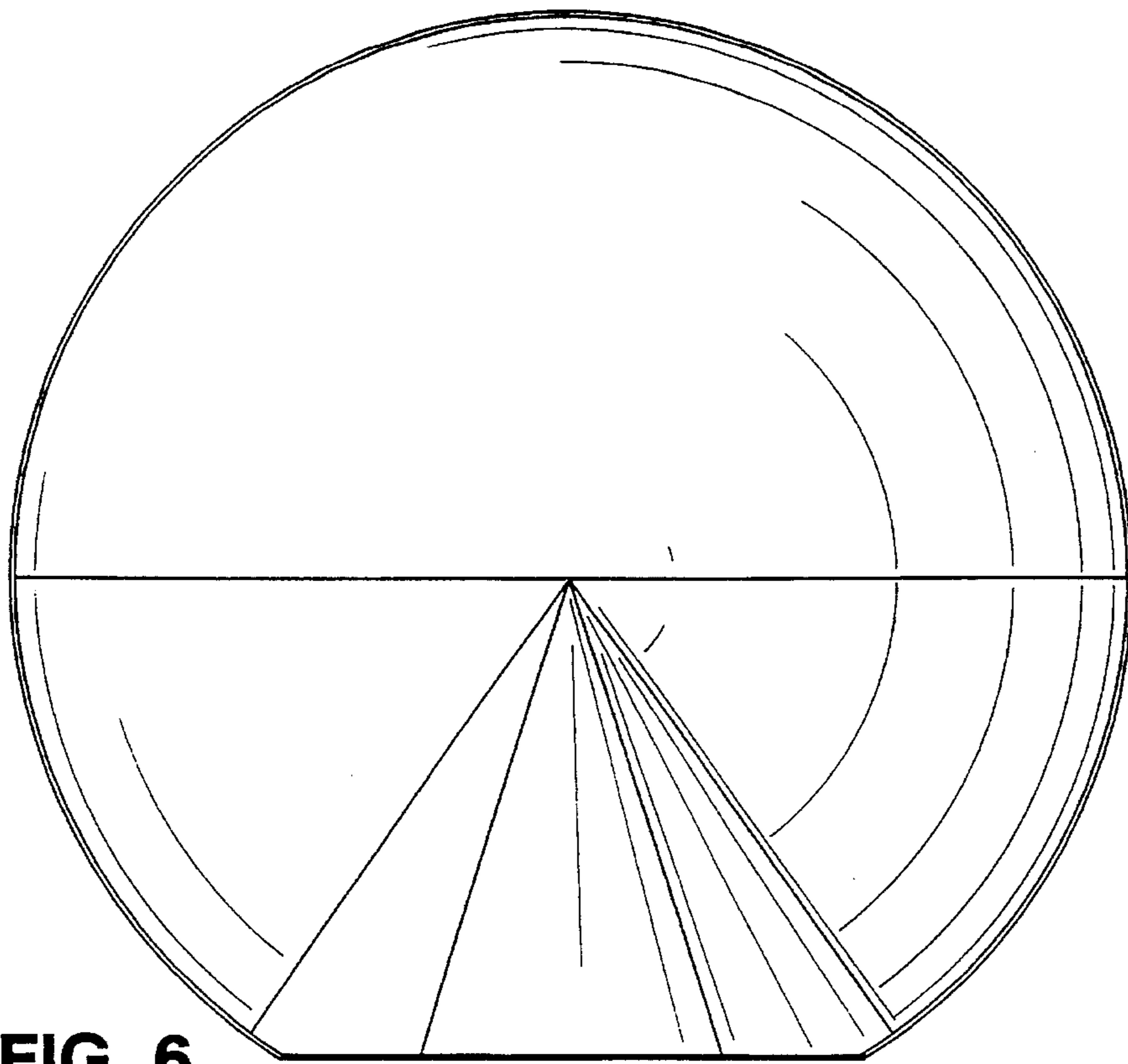


FIG. 6

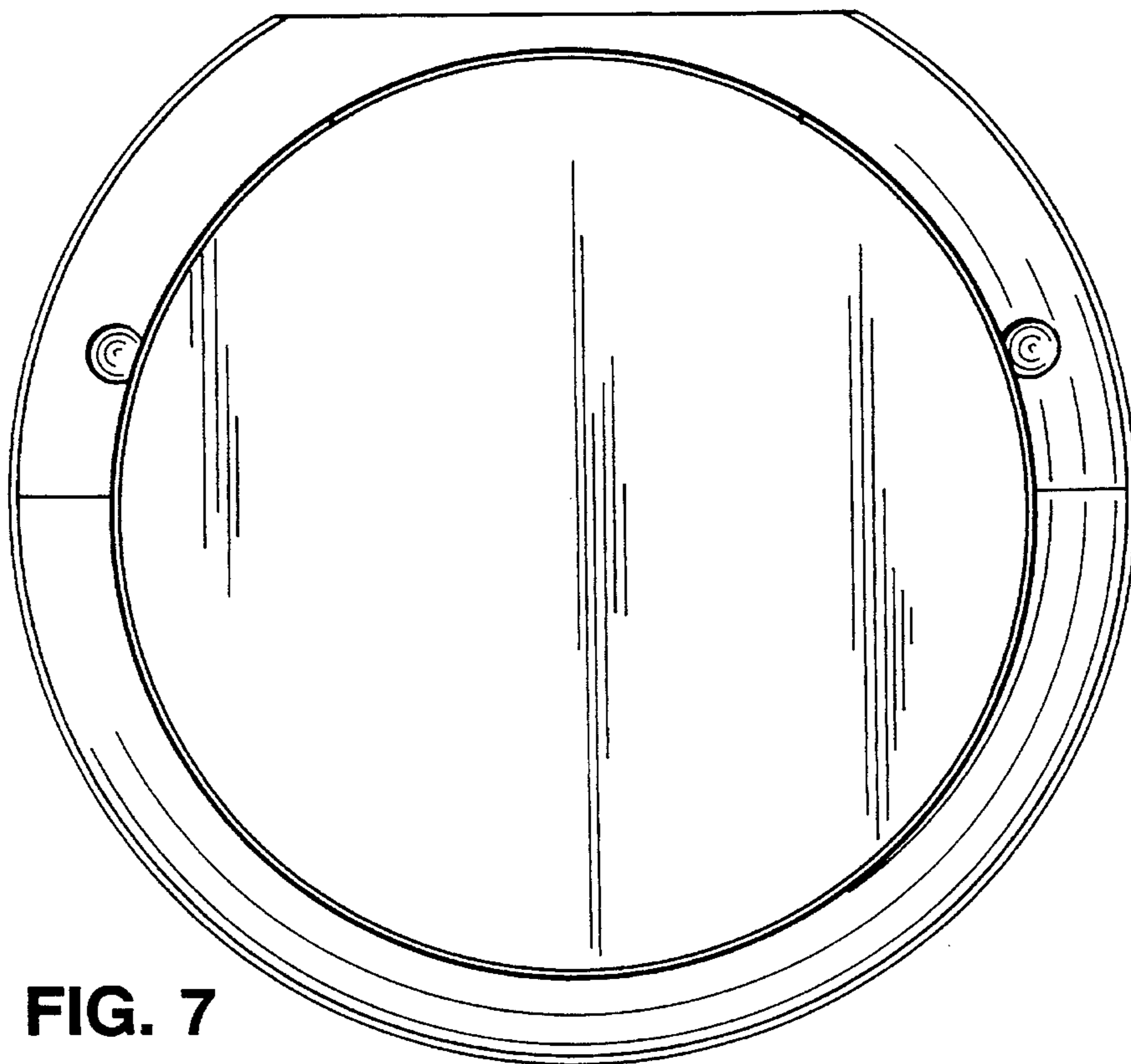


FIG. 7