



US00D374020S

**United States Patent** [19]  
**Dunn**

[11] **Patent Number:** **Des. 374,020**  
[45] **Date of Patent:** **\*\*Sep. 24, 1996**

[54] **VIDEO MICROSCOPE**  
[75] Inventor: **Thomas M. Dunn**, Leawood, Kans.  
[73] Assignee: **Ken-A-Vision Manufacturing Company, Inc.**, Kansas City, Mo.  
[\*\*] Term: **14 Years**  
[21] Appl. No.: **33,897**  
[22] Filed: **Jan. 25, 1995**  
[52] U.S. Cl. .... **D16/131; D16/130**  
[58] **Field of Search** ..... **D16/130, 131, D16/135; 356/241; 359/399, 402, 409, 802, 804, 805, 810, 811, 816; 362/426**

2,199,107 4/1940 Kibbe ..... 359/802 X

**OTHER PUBLICATIONS**

*Hong Kong Enterprise*, "#818 Retractable Light", Mar. 1987, p. 309, rt. center of page.

*Primary Examiner*—Louis S. Zarfaz  
*Assistant Examiner*—Monica A. Hannon  
*Attorney, Agent, or Firm*—Hovey, Williams, Timmons & Collins

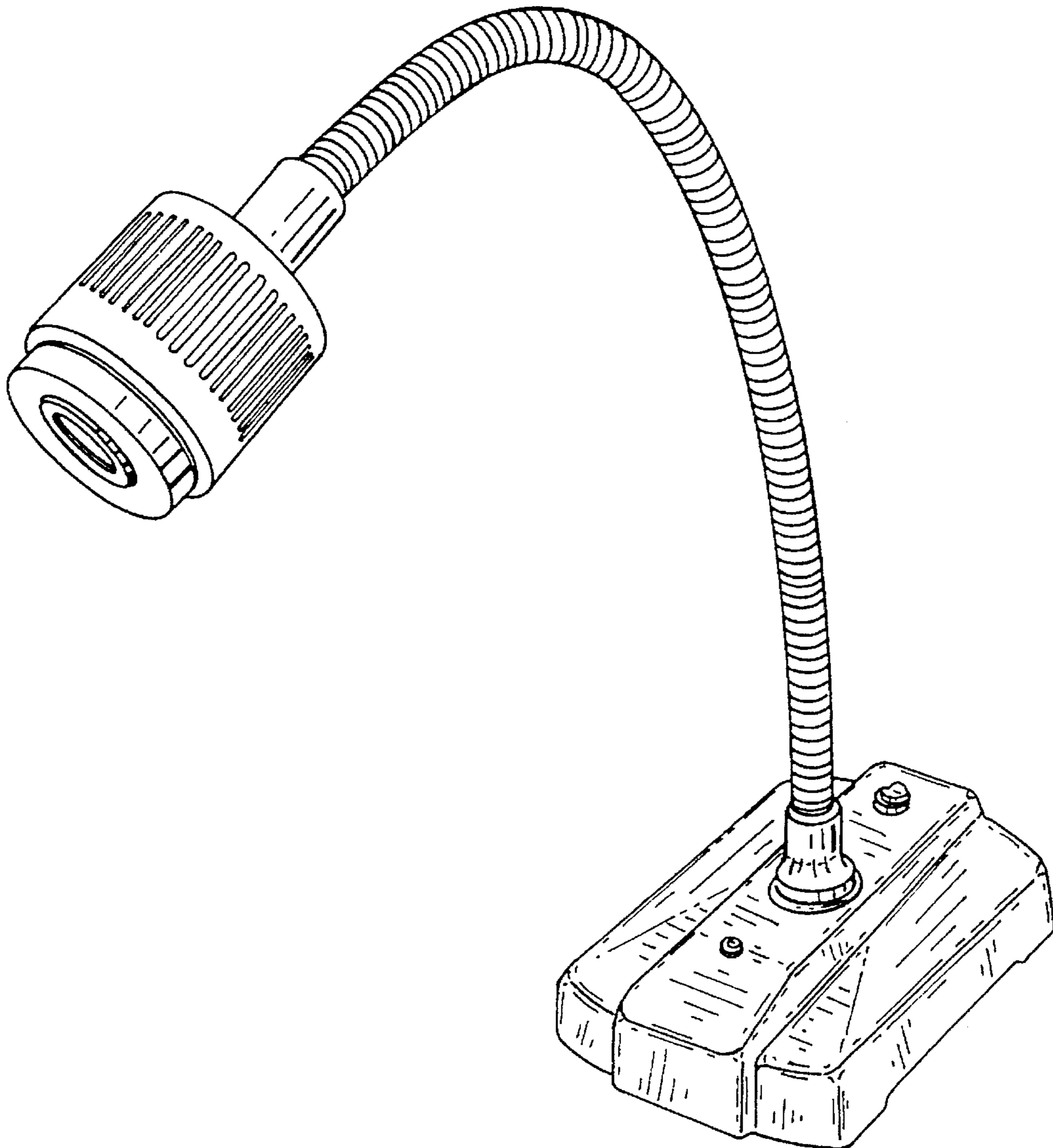
[56] **References Cited**  
**U.S. PATENT DOCUMENTS**  
D. 229,231 11/1973 Beeren ..... D16/135

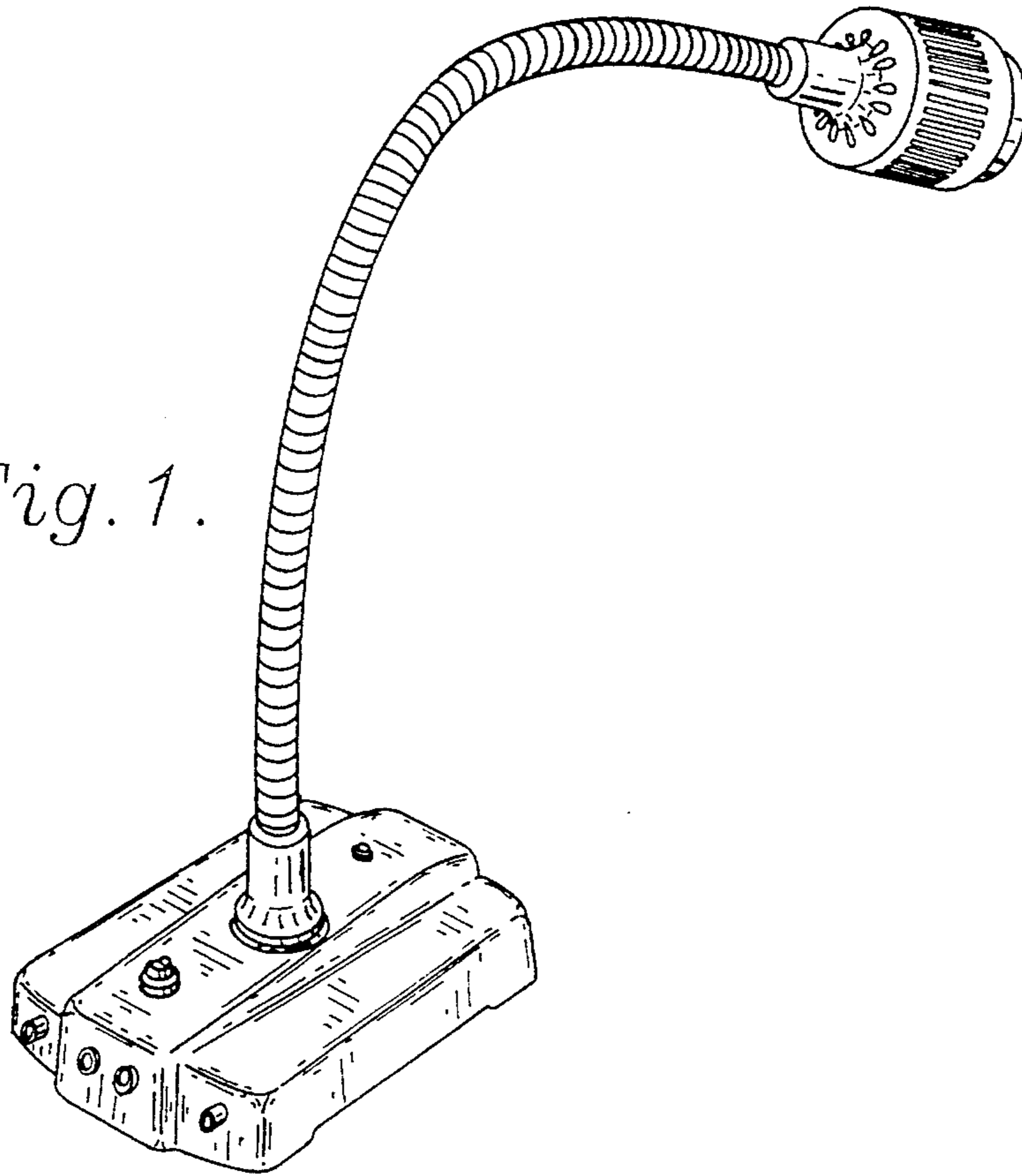
[57] **CLAIM**  
The ornamental design for a video microscope, as shown and described.

**DESCRIPTION**

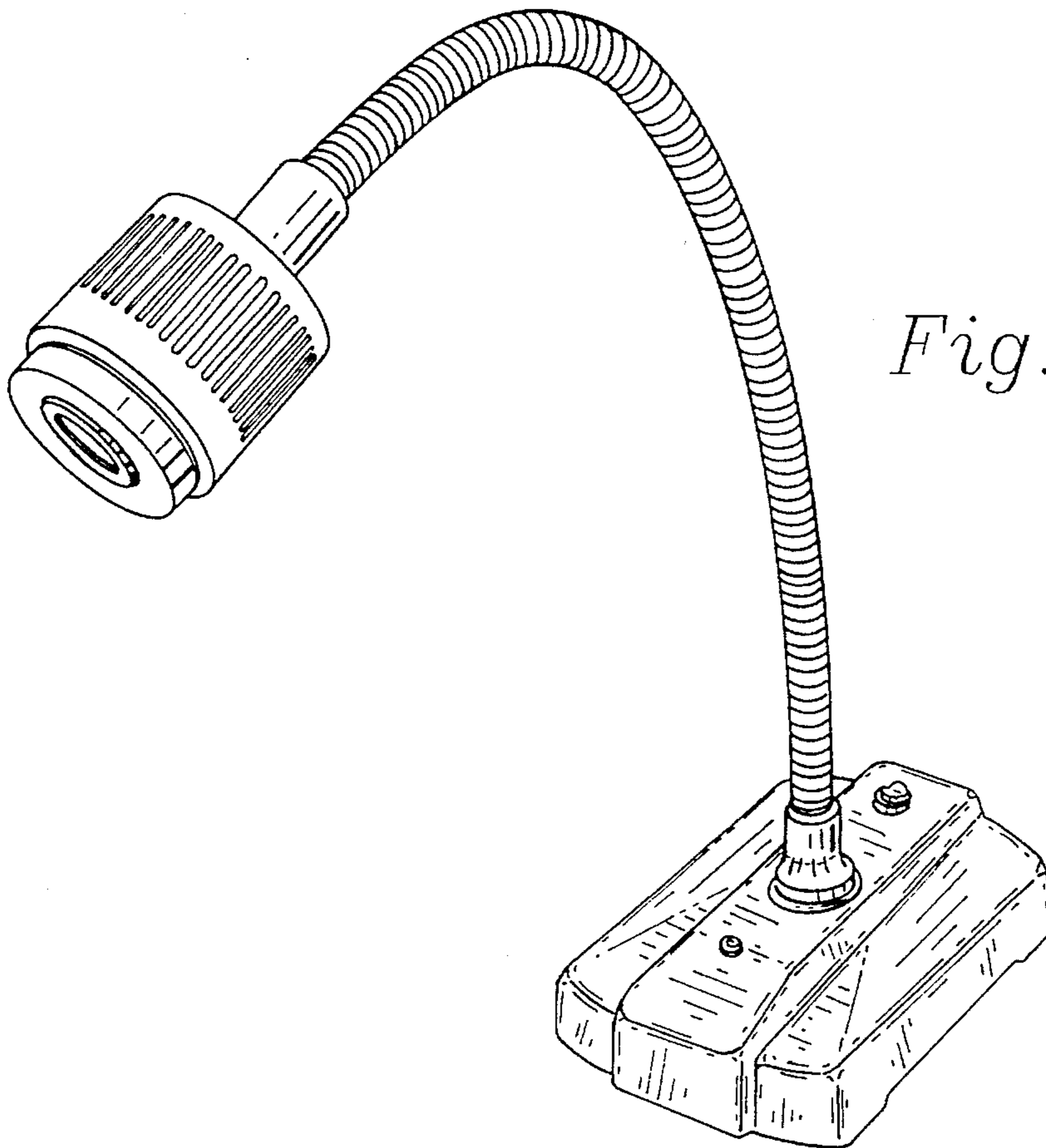
FIG. 1 is a rear perspective view; and, FIG. 2 is a front perspective view.

**1 Claim, 1 Drawing Sheet**





*Fig. 1.*



*Fig. 2.*