



US00D374016S

United States Patent [19]

[11] Patent Number: **Des. 374,016**

Wada et al.

[45] Date of Patent: ****Sep. 24, 1996**

[54] **REFRIGERANT COMPRESSOR**

D. 295,753	5/1988	LaBair	D15/7
D. 352,041	11/1994	Hansen	D15/9
D. 358,398	5/1995	Persson	D15/7

[75] Inventors: **Hirofumi Wada; Takayuki Kudo; Shinichi Otake**, all of Isesaki, Japan

Primary Examiner—Ralf Seifert
Attorney, Agent, or Firm—Kenjiro Hidaka

[73] Assignee: **Sanden Corp.**, Isesaki, Japan

[**] Term: **14 Years**

[57] **CLAIM**

[21] Appl. No.: **40,762**

The ornamental design for a refrigerant compressor, as shown and described.

[22] Filed: **Jun. 26, 1995**

DESCRIPTION

[30] **Foreign Application Priority Data**

FIG. 1 is a top, front, left side perspective view of a refrigerant compressor showing our new design; FIG. 2 is top plan view thereof; FIG. 3 is a front elevational view thereof; FIG. 4 is a left side elevational view thereof; FIG. 5 is a right side elevational view thereof; FIG. 6 is a rear elevational view thereof; and, FIG. 7 is a bottom plan view thereof.

Feb. 24, 1995 [JP] Japan 7-5006

[52] **U.S. Cl.** **D15/9**

[58] **Field of Search** D15/7-9; 91/275; 417/403, 404

[56] **References Cited**

U.S. PATENT DOCUMENTS

D. 271,203 11/1983 Schütt et al, D15/9

1 Claim, 6 Drawing Sheets

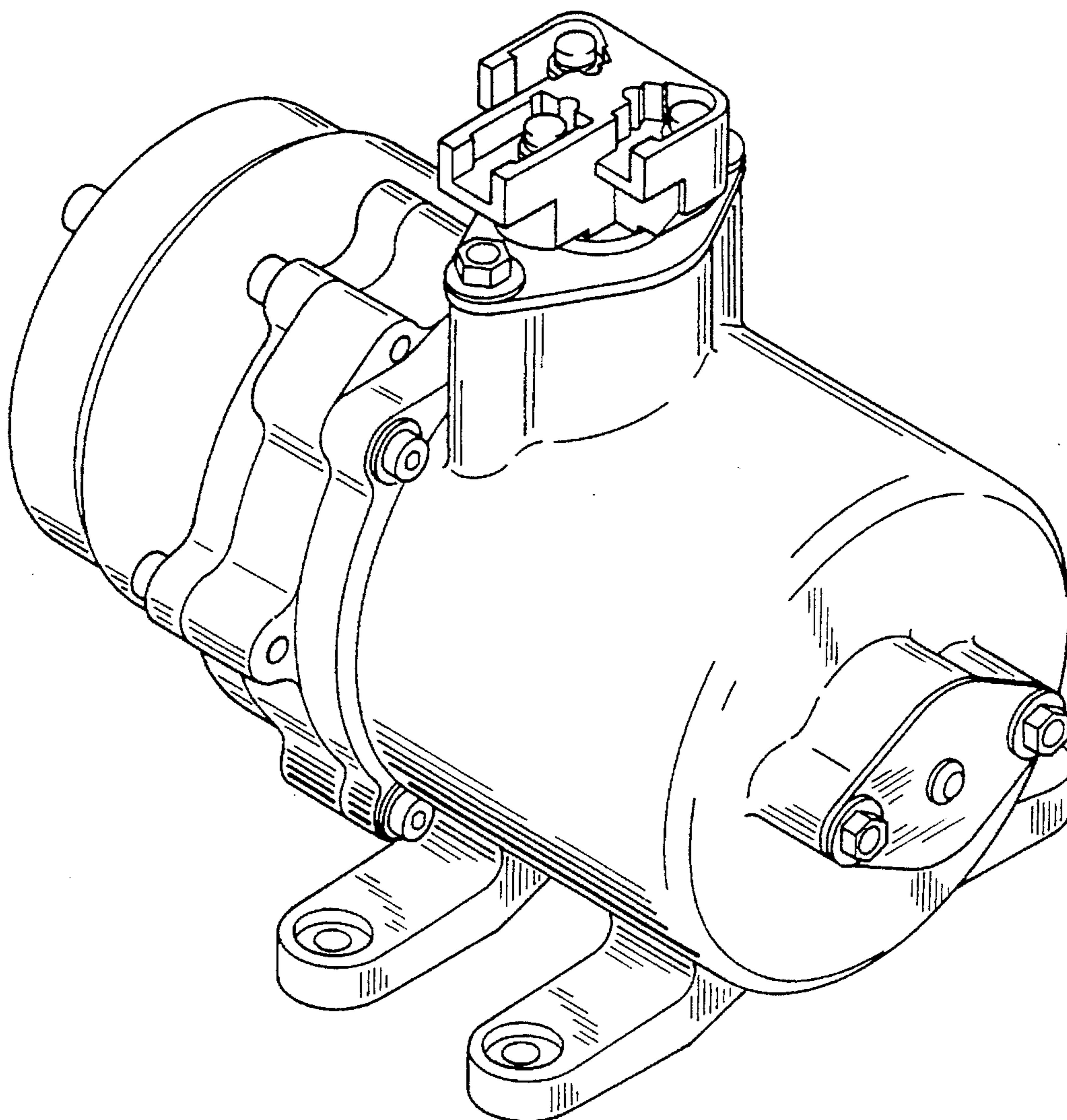


FIG. 1

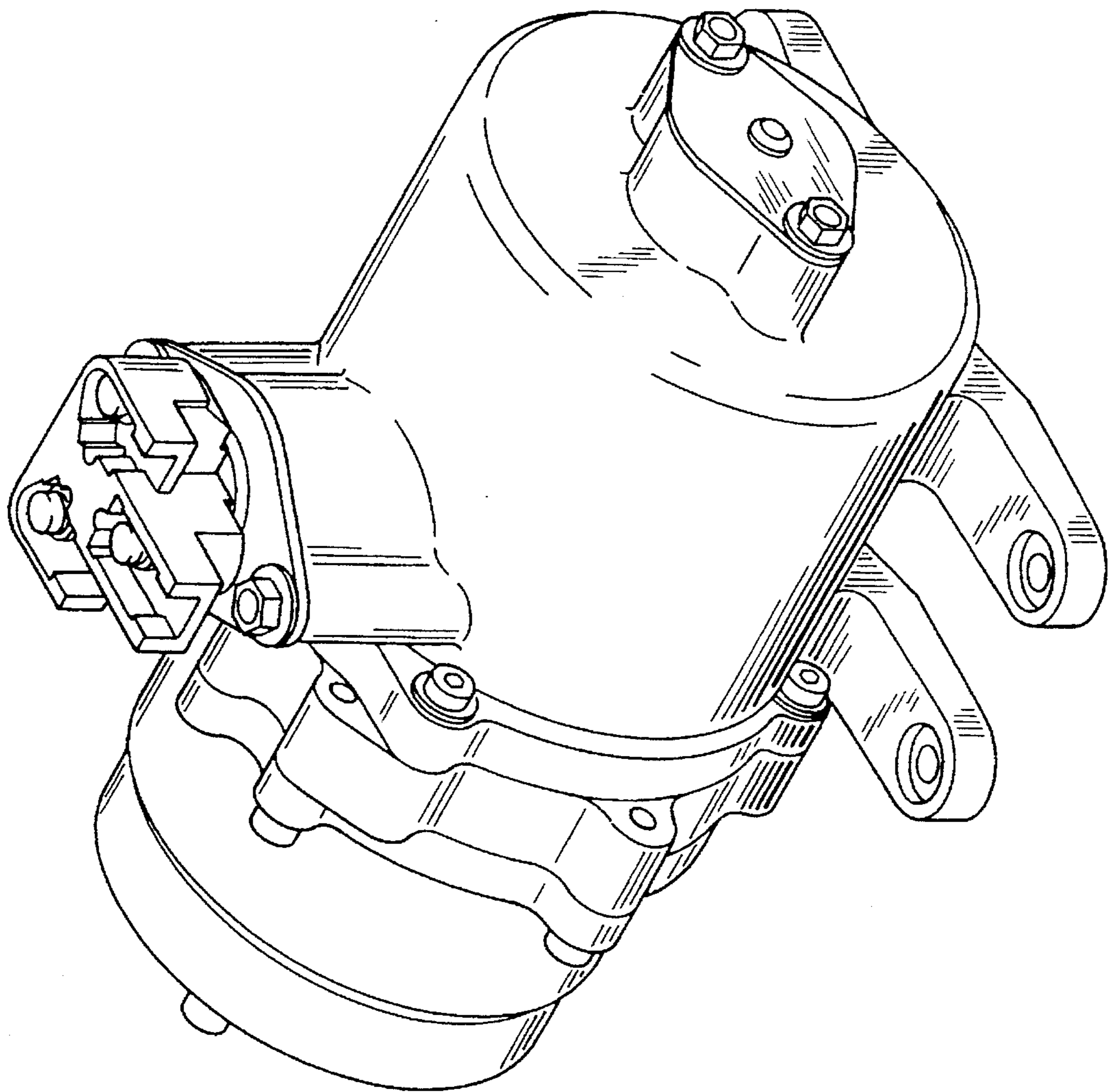


FIG. 2

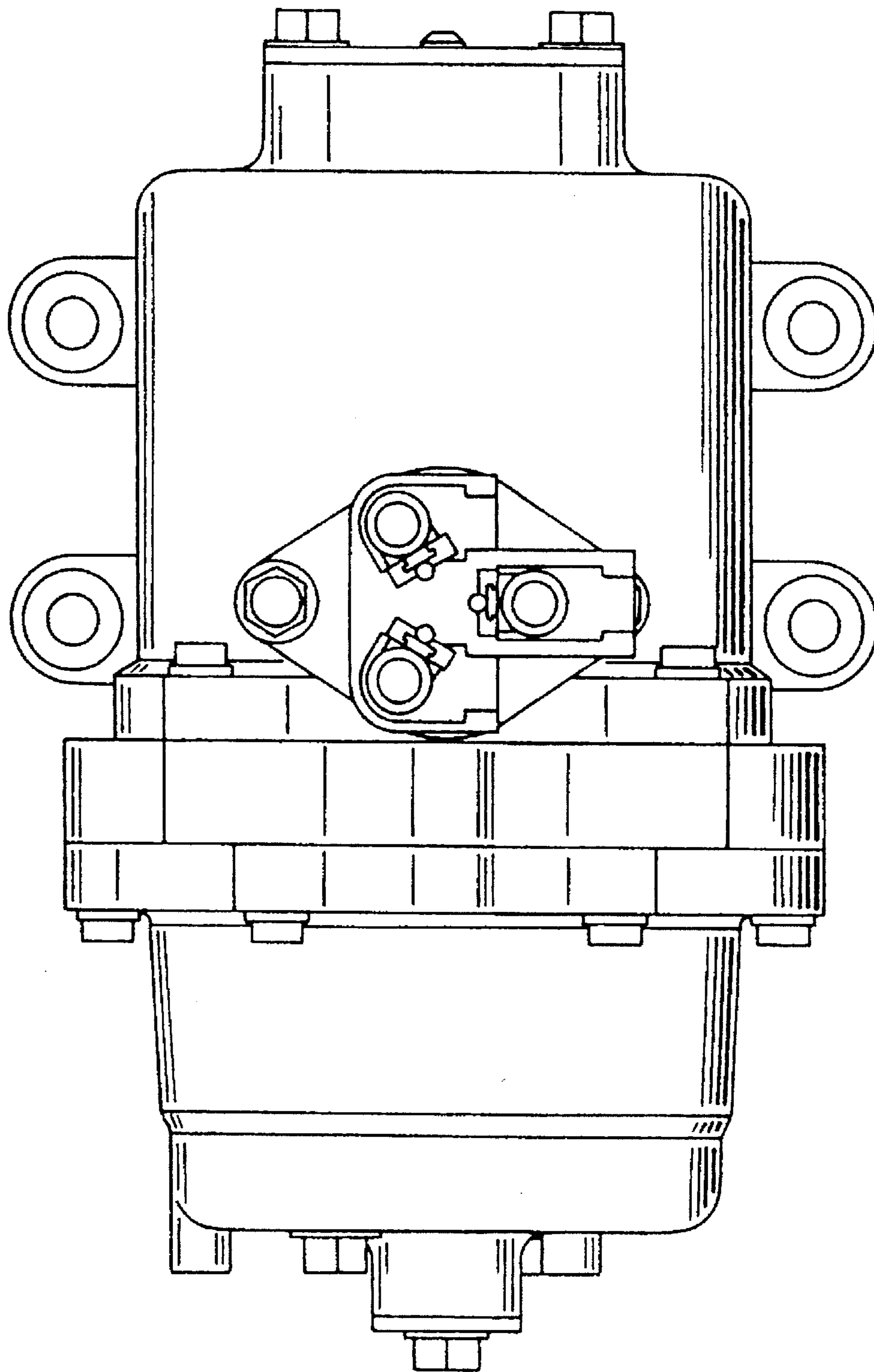


FIG. 3

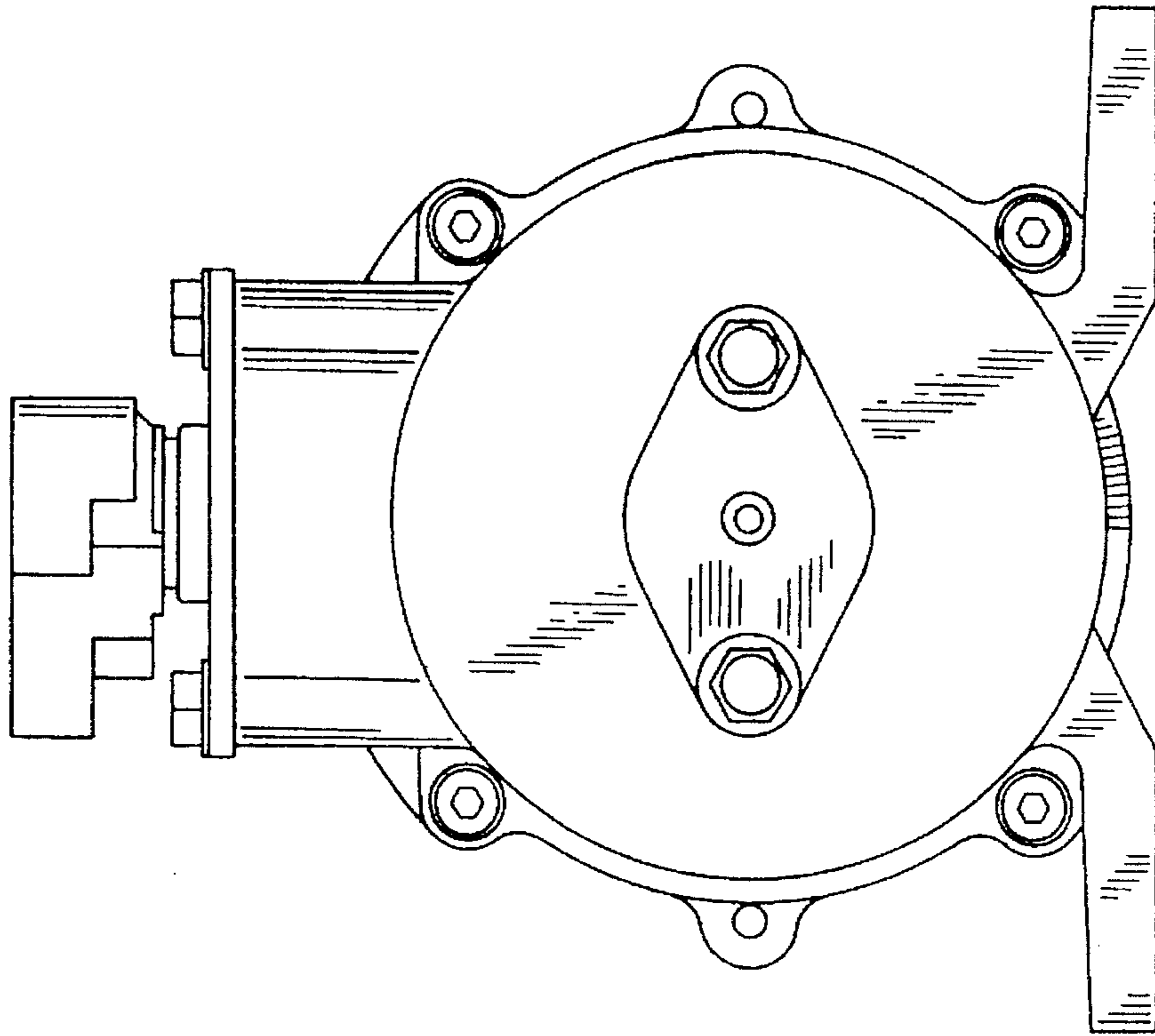


FIG. 6

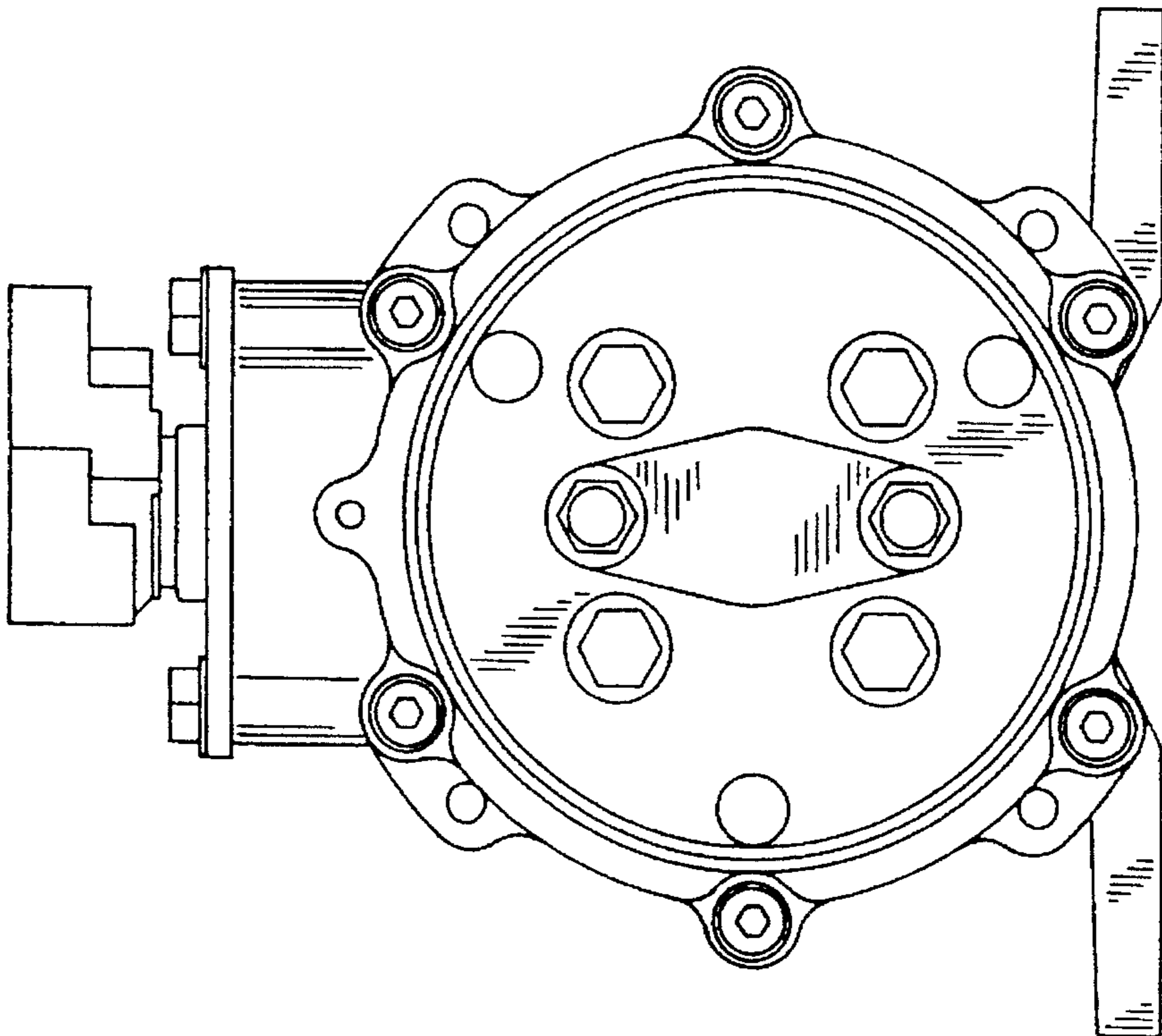


FIG. 4

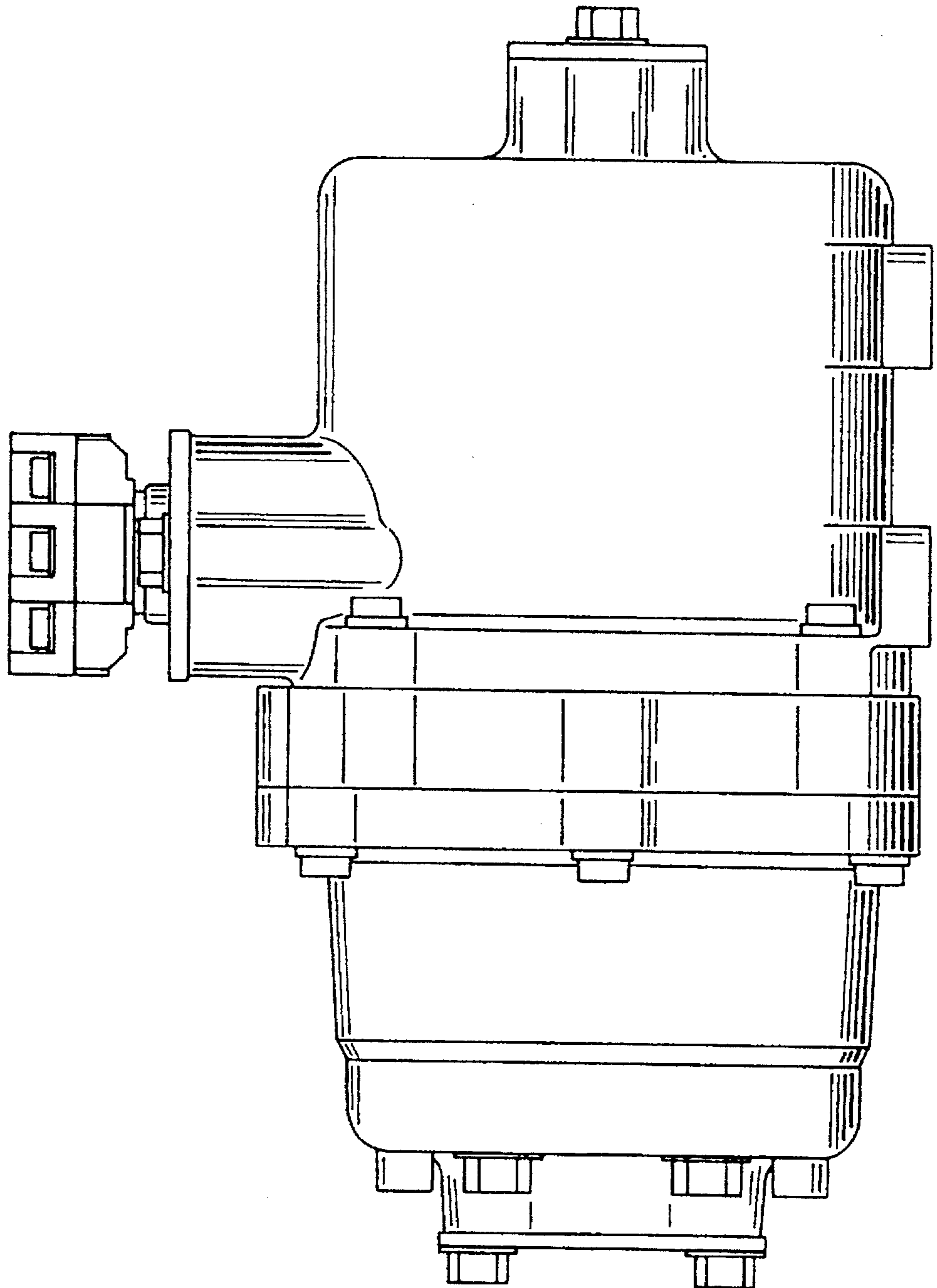


FIG. 5

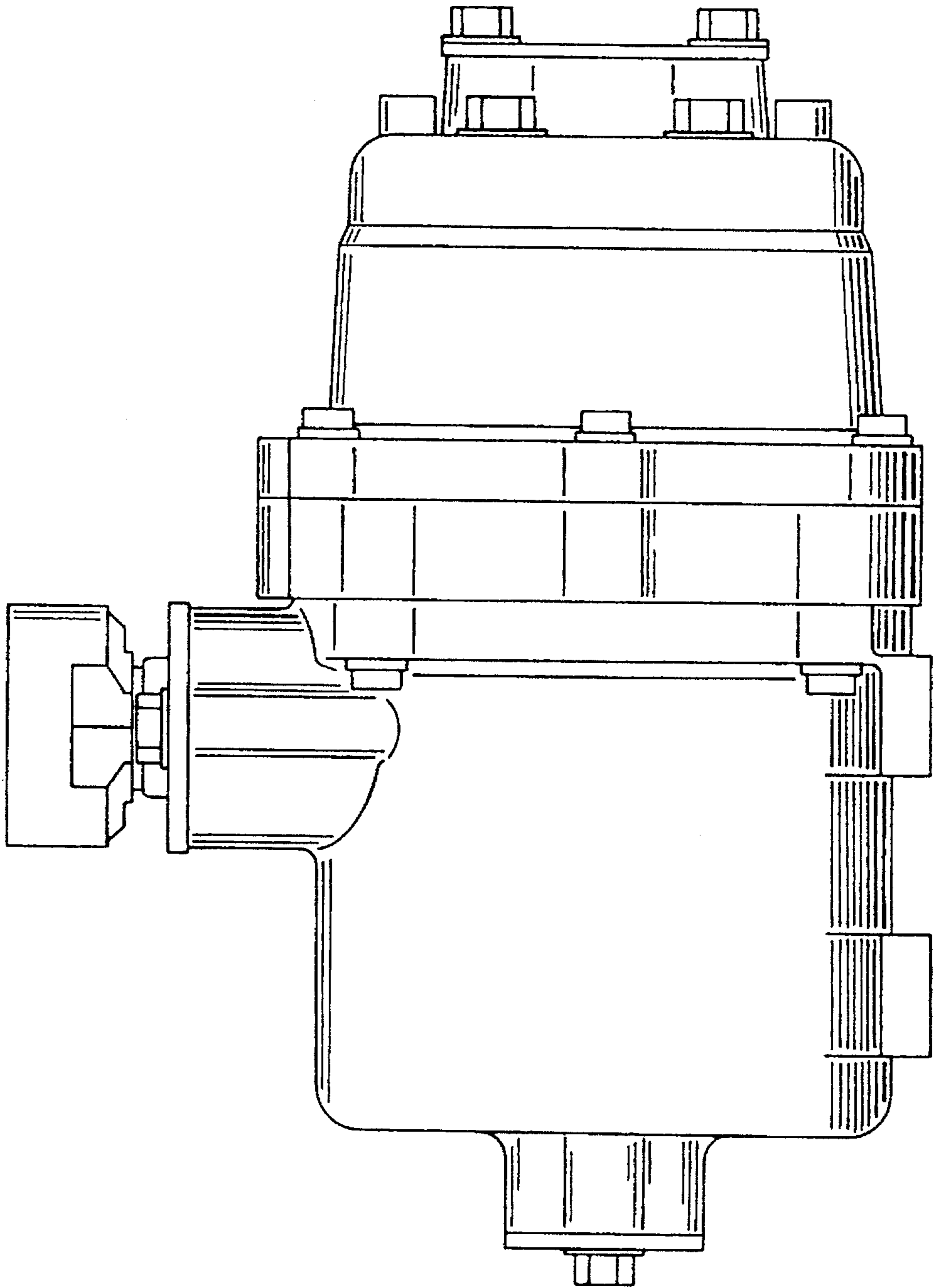


FIG. 7

