



US00D374013S

United States Patent [19]

[11] Patent Number: **Des. 374,013**

Hislop et al.

[45] Date of Patent: ****Sep. 24, 1996**

[54] **PEDESTAL**

[75] Inventors: **Jennifer M. Hislop**, Barrington; **Daniel J. Replinger**, Hawthorn Woods, both of Ill.

[73] Assignee: **Motorola, Inc.**, Schaumburg, Ill.

[**] Term: **14 Years**

[21] Appl. No.: **32,543**

[22] Filed: **Dec. 21, 1994**

[52] U.S. Cl. **D14/251; D8/349; D14/240**

[58] Field of Search **D14/251, 253, D14/240, 140, 142, 137, 138, 114; 379/419, 420, 428, 440, 446, 454, 455; D8/395, 396, 349, 71**

[56] **References Cited**

U.S. PATENT DOCUMENTS

D. 213,201	1/1969	Hill	D8/395	X
D. 297,502	9/1988	Archambeau	D8/71	
D. 349,696	8/1994	Hames	D14/114	
5,033,709	7/1991	Yuen	379/454	X

5,109,411	4/1992	O'Connell	379/455	X
5,179,590	1/1993	Wang	379/446	X
5,305,381	4/1994	Wang et al.	379/454	X
5,414,770	5/1995	Wang	379/454	X

Primary Examiner—Jeffrey Asch
Attorney, Agent, or Firm—Randall S. Vaas

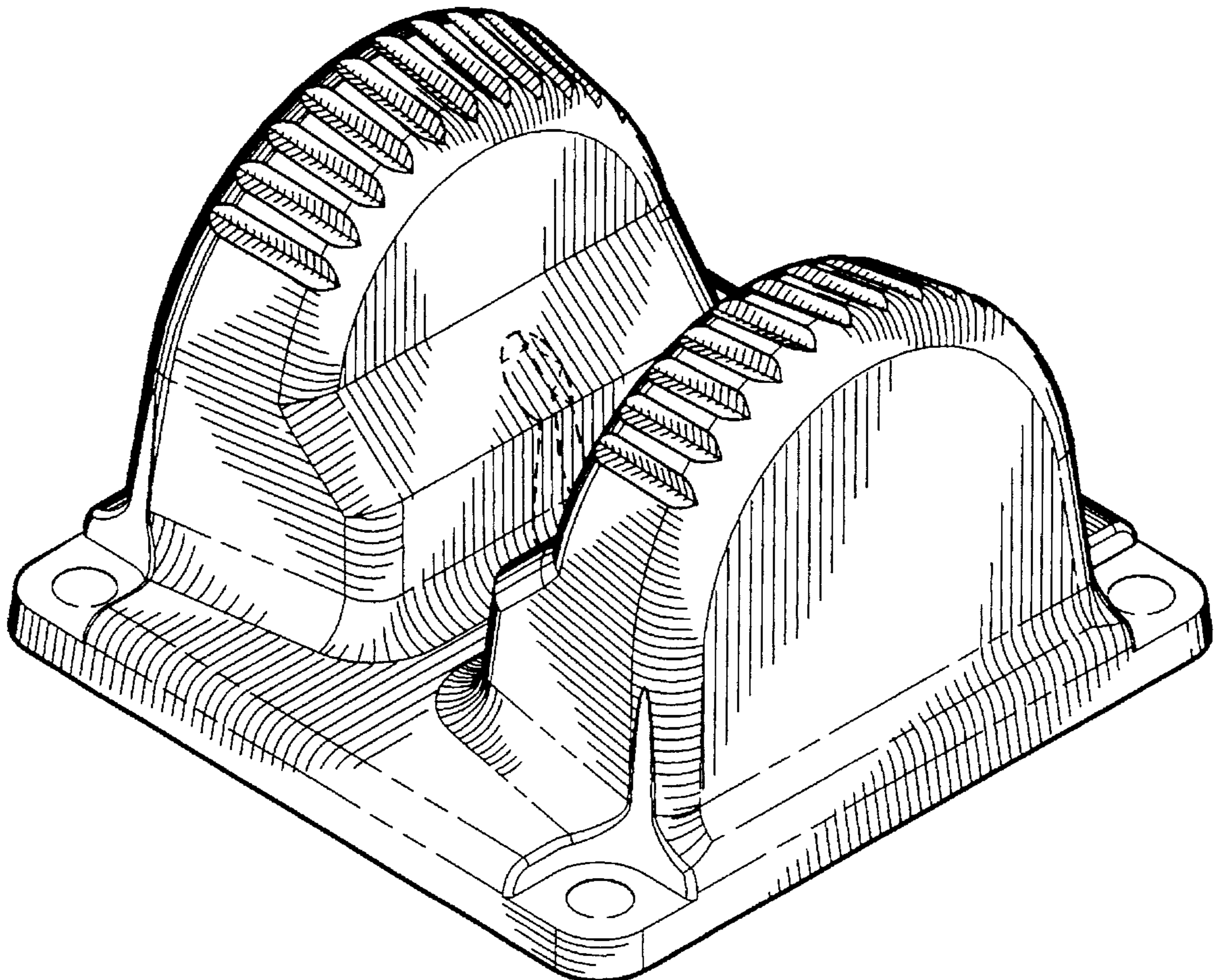
[57] **CLAIM**

The ornamental design for a pedestal, as shown and described.

DESCRIPTION

FIG. 1 is a front, top, and right side perspective view showing our new design for pedestal with broken line matter being for illustrative purposes only and forming no part of the claimed design;
FIG. 2 is a rear elevational view thereof;
FIG. 3 is a left side elevational view thereof;
FIG. 4 is a bottom plan view thereof; and,
FIG. 5 is a top plan view thereof with broken line matter being for illustrative purposes only and forming no part of the claimed design.

1 Claim, 2 Drawing Sheets



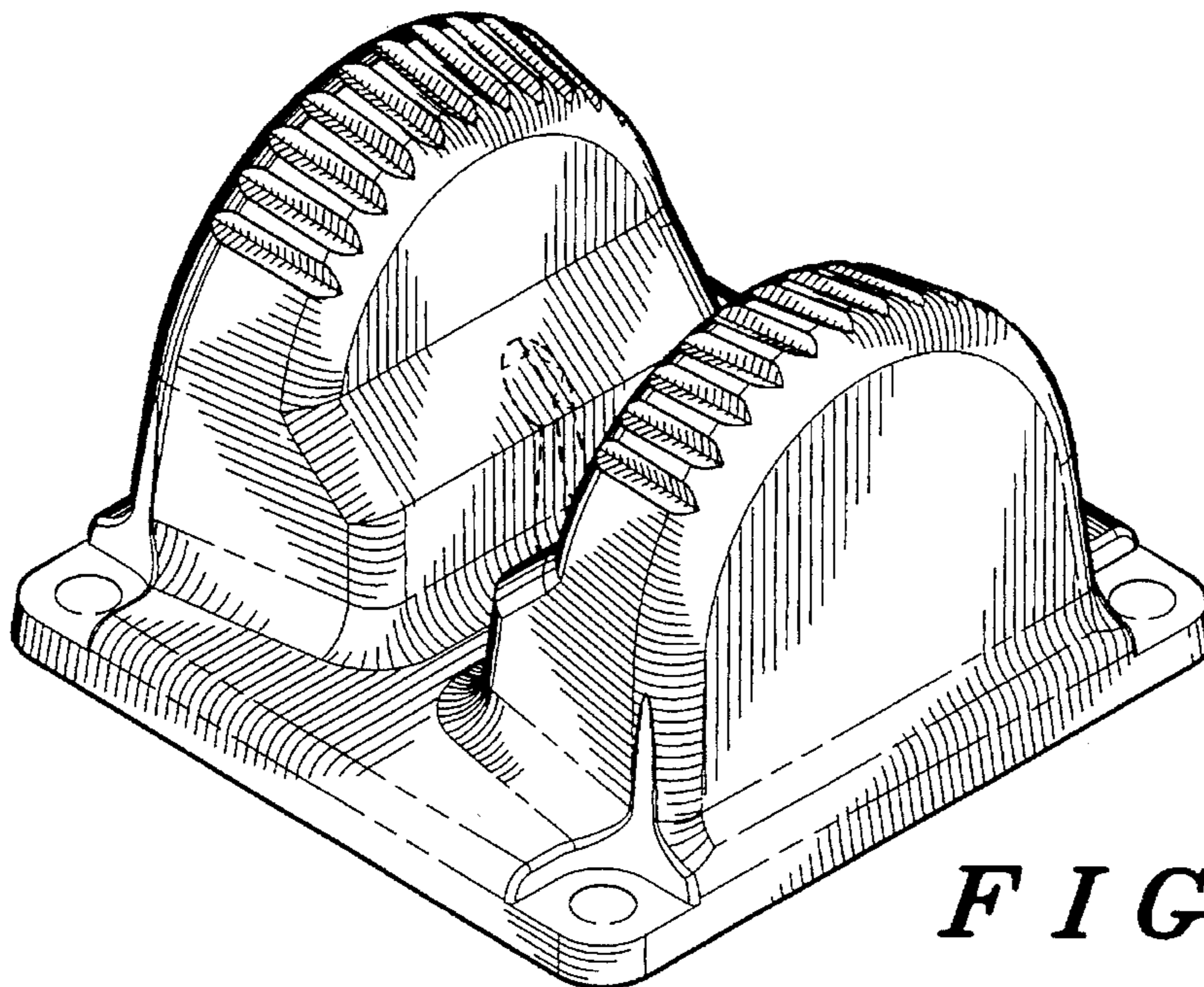


FIG. 1

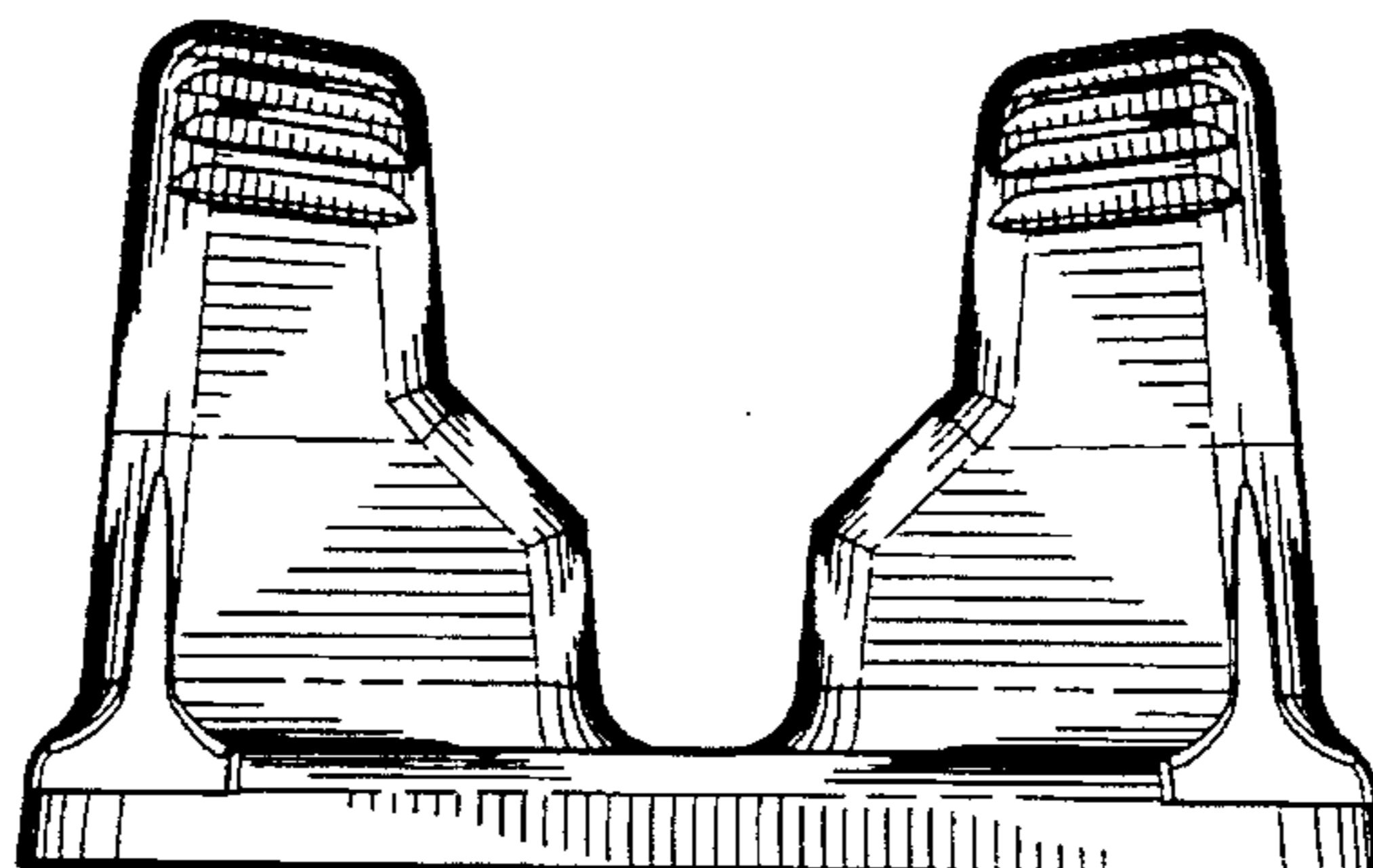


FIG. 2

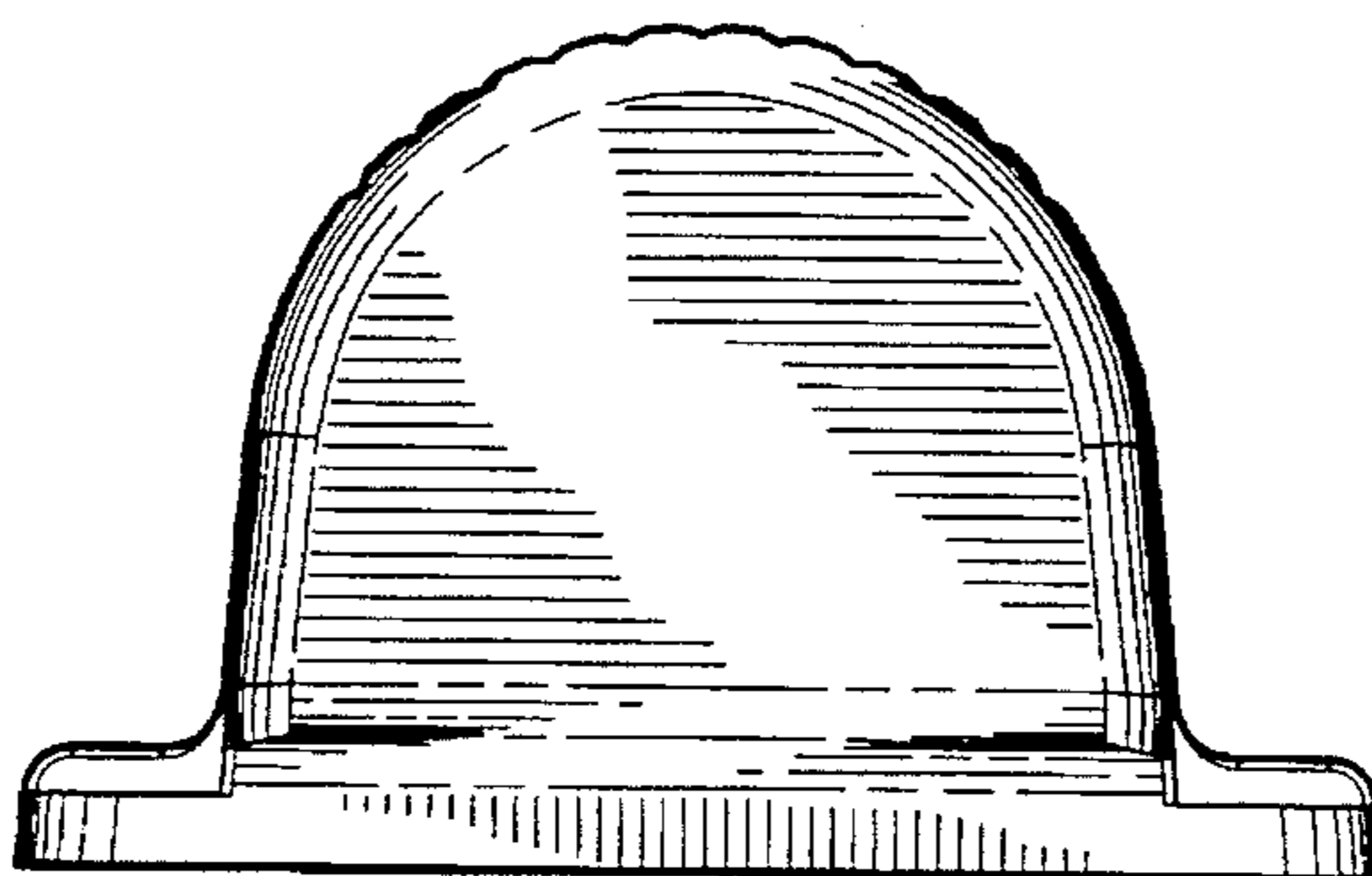


FIG. 3

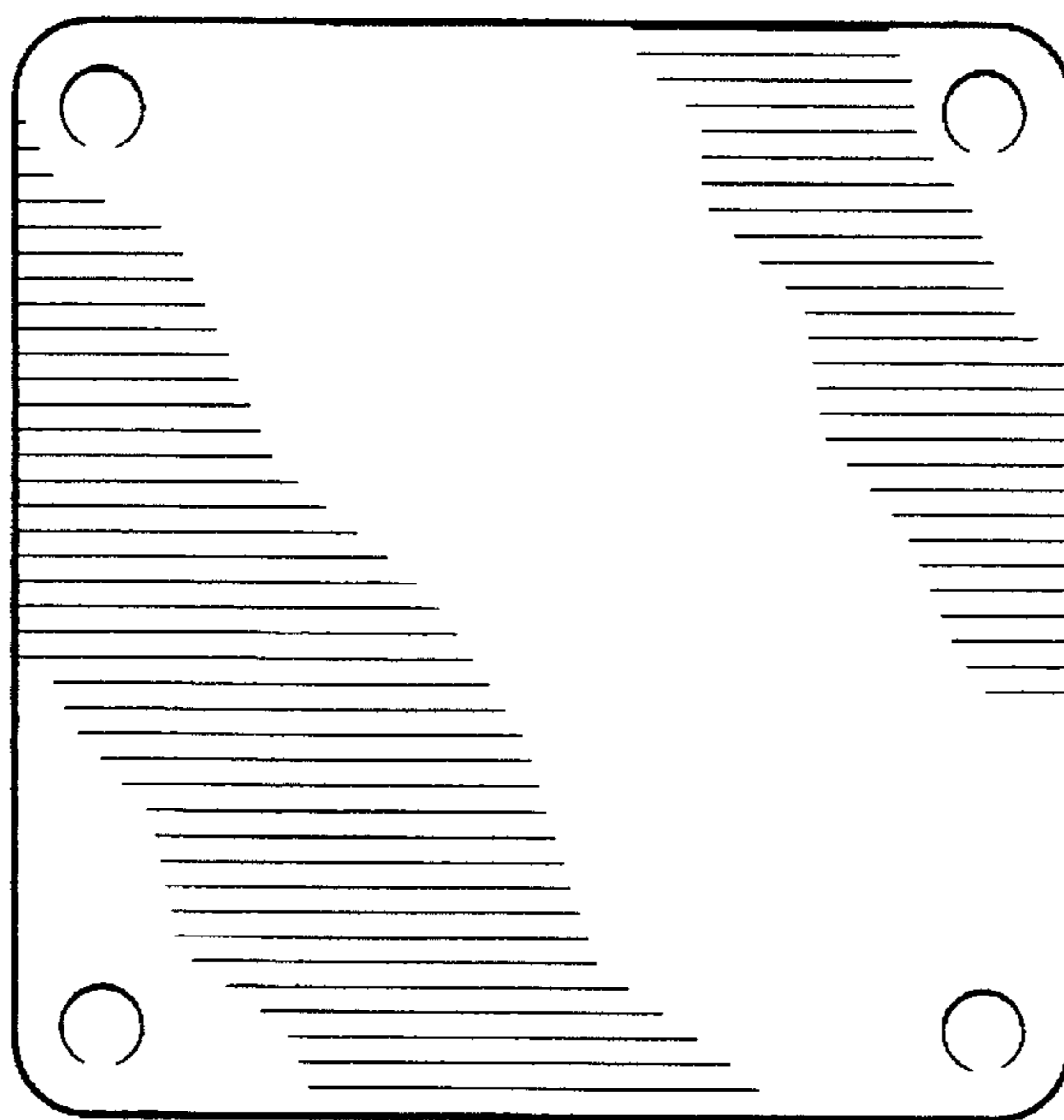


FIG. 4

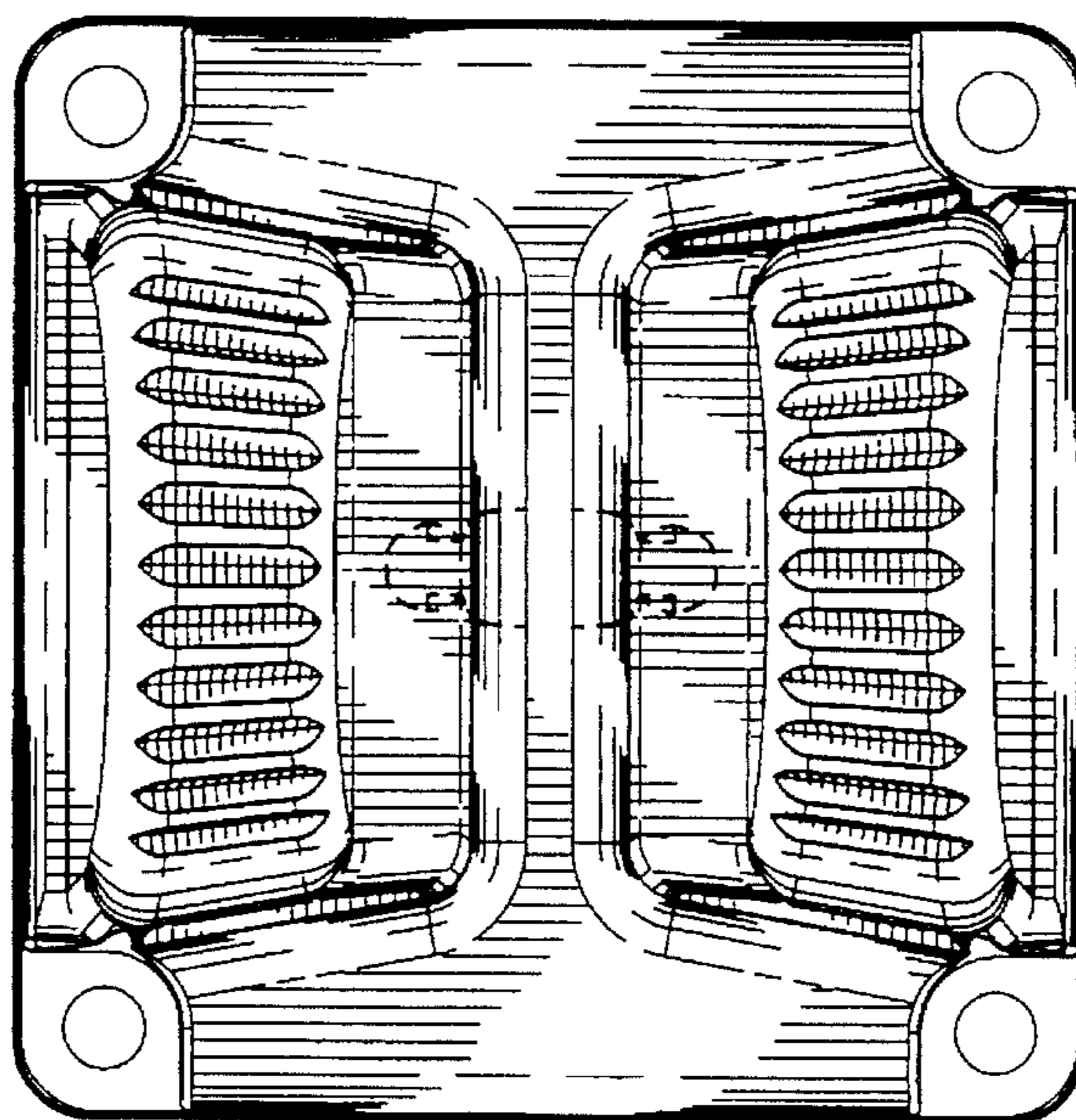


FIG. 5