



US00D374007S

United States Patent [19]

Tattari

[11] Patent Number: **Des. 374,007**

[45] Date of Patent: ****Sep. 24, 1996**

[54] **MOBILE TELEPHONE**

[75] Inventor: **Jouko Tattari**, Helsinki, Finland

[73] Assignee: **Nokia Mobile Phones Ltd.**, Salo, Finland

[**] Term: **14 Years**

[21] Appl. No.: **37,720**

[22] Filed: **Apr. 19, 1995**

[30] Foreign Application Priority Data

Oct. 20, 1994 [FI] Finland 695/94

[52] U.S. Cl. **D14/138**

[58] Field of Search D14/137, 138, D14/147-151, 140, 142, 240, 248; 379/58-61, 419, 420, 428, 440, 454, 455; 455/89, 90

[56] References Cited

U.S. PATENT DOCUMENTS

- D. 321,183 10/1991 Powell et al. D14/147 X
- D. 334,926 4/1993 Hunt et al. D14/147 X
- D. 345,734 4/1994 Seymour et al. D14/138

- D. 353,807 12/1994 White D14/138
- D. 354,284 1/1995 White D14/138
- D. 356,561 3/1995 Berry D14/138
- D. 356,563 3/1995 Berry D14/138
- D. 361,328 8/1995 White D14/138
- D. 362,249 9/1995 Burstedt et al. D14/138

Primary Examiner—Jeffrey Asch
Attorney, Agent, or Firm—Perman & Green

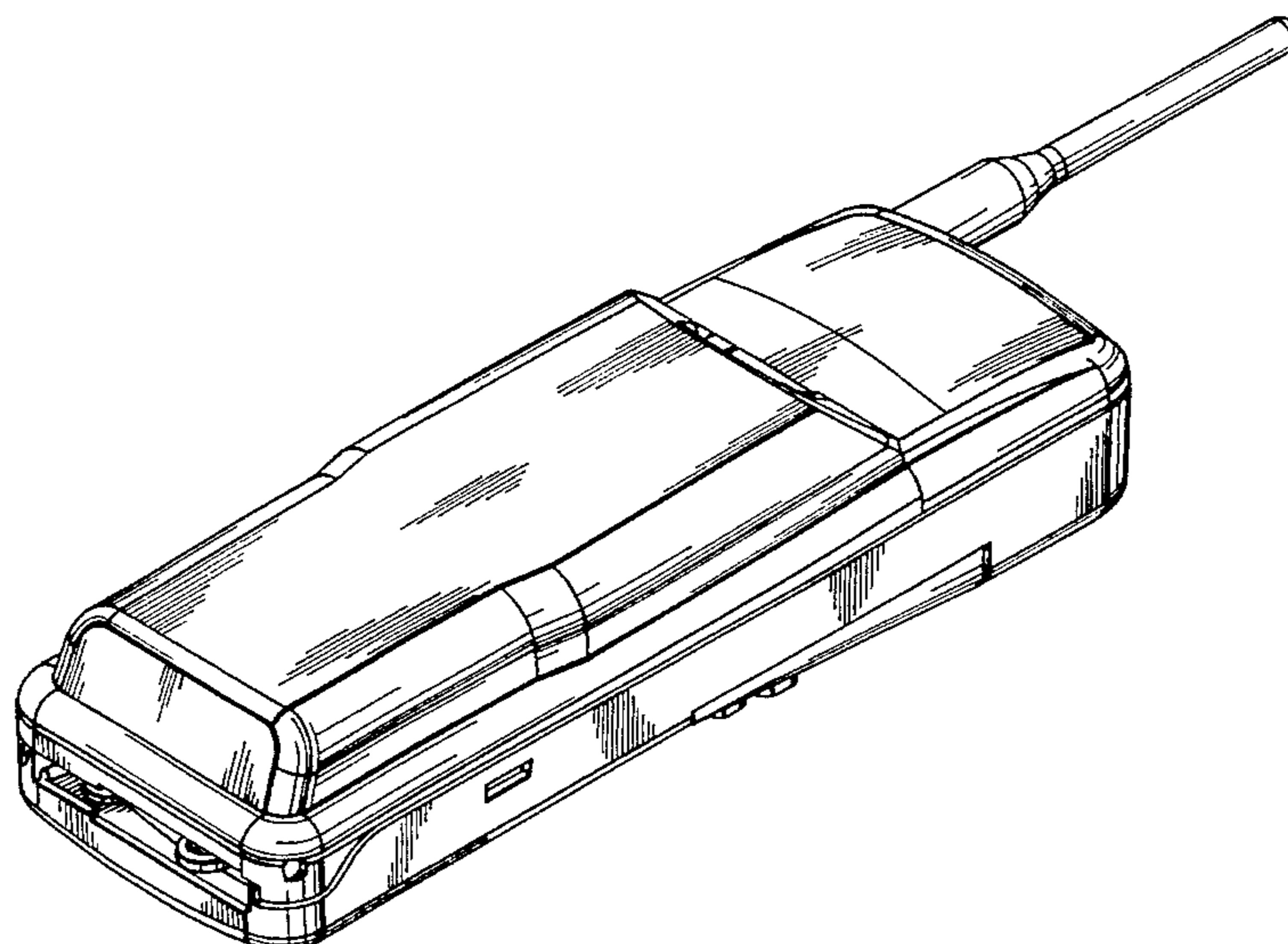
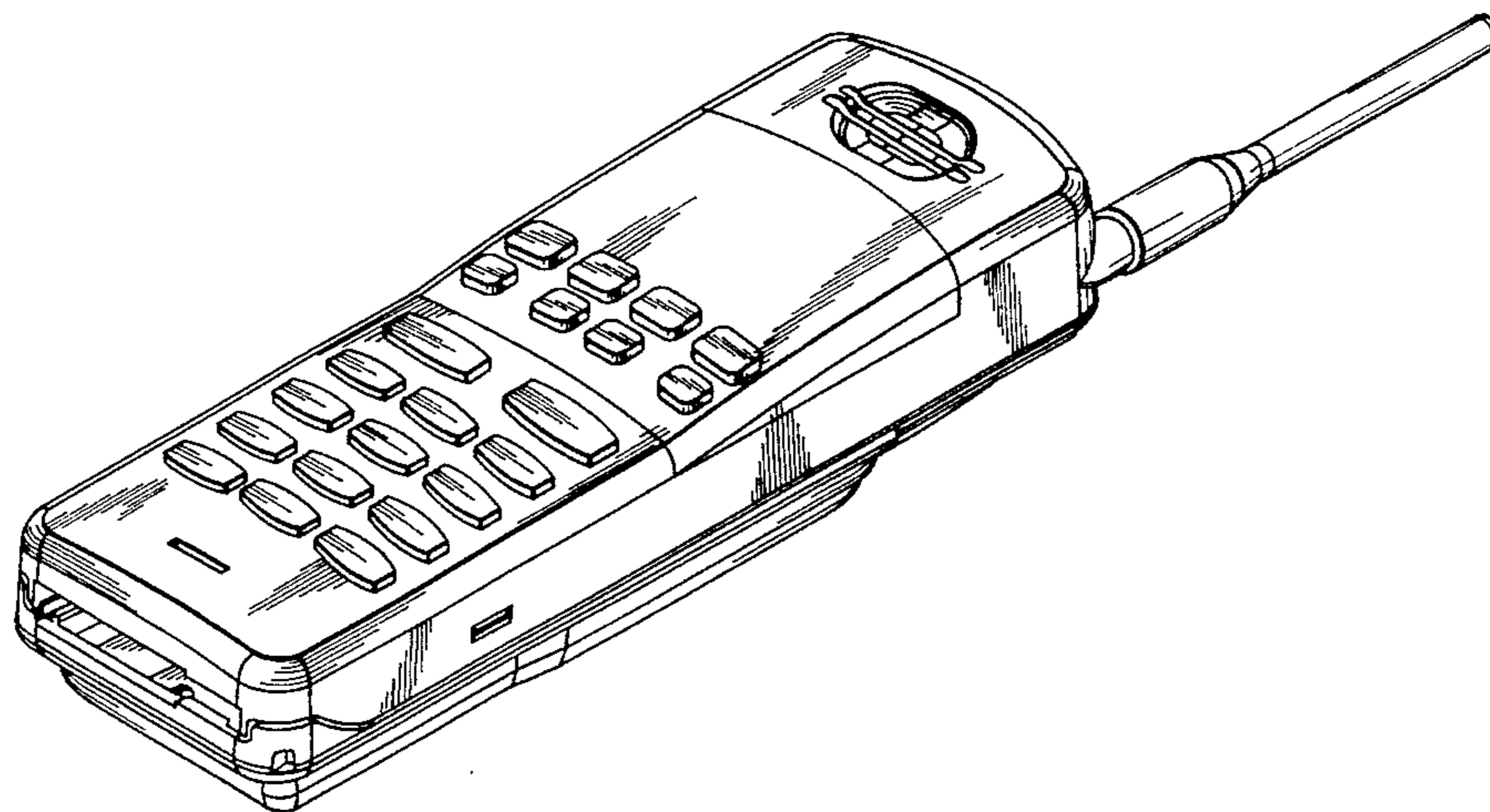
[57] CLAIM

The ornamental design for a mobile telephone, as shown and described.

DESCRIPTION

FIG. 1 is a front perspective view from above and one side of a mobile telephone showing my new design;
 FIG. 2 is a rear perspective view from above and one side;
 FIG. 3 is a front view;
 FIG. 4 is a side view as seen from the left side;
 FIG. 5 is a rear view;
 FIG. 6 is a side view as seen from the right side;
 FIG. 7 is a top view; and,
 FIG. 8 is a bottom view.

1 Claim, 5 Drawing Sheets



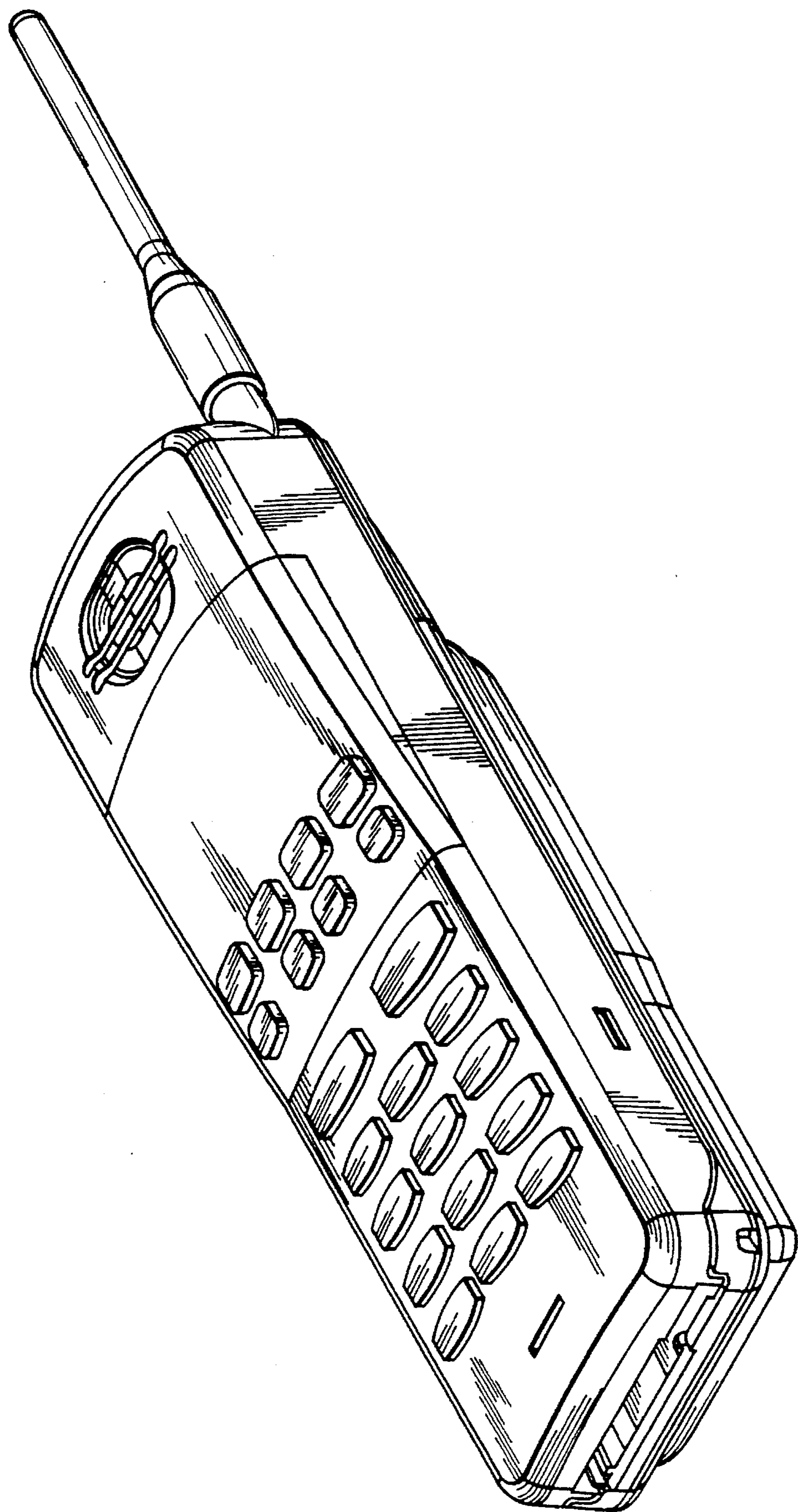


FIG. 1.

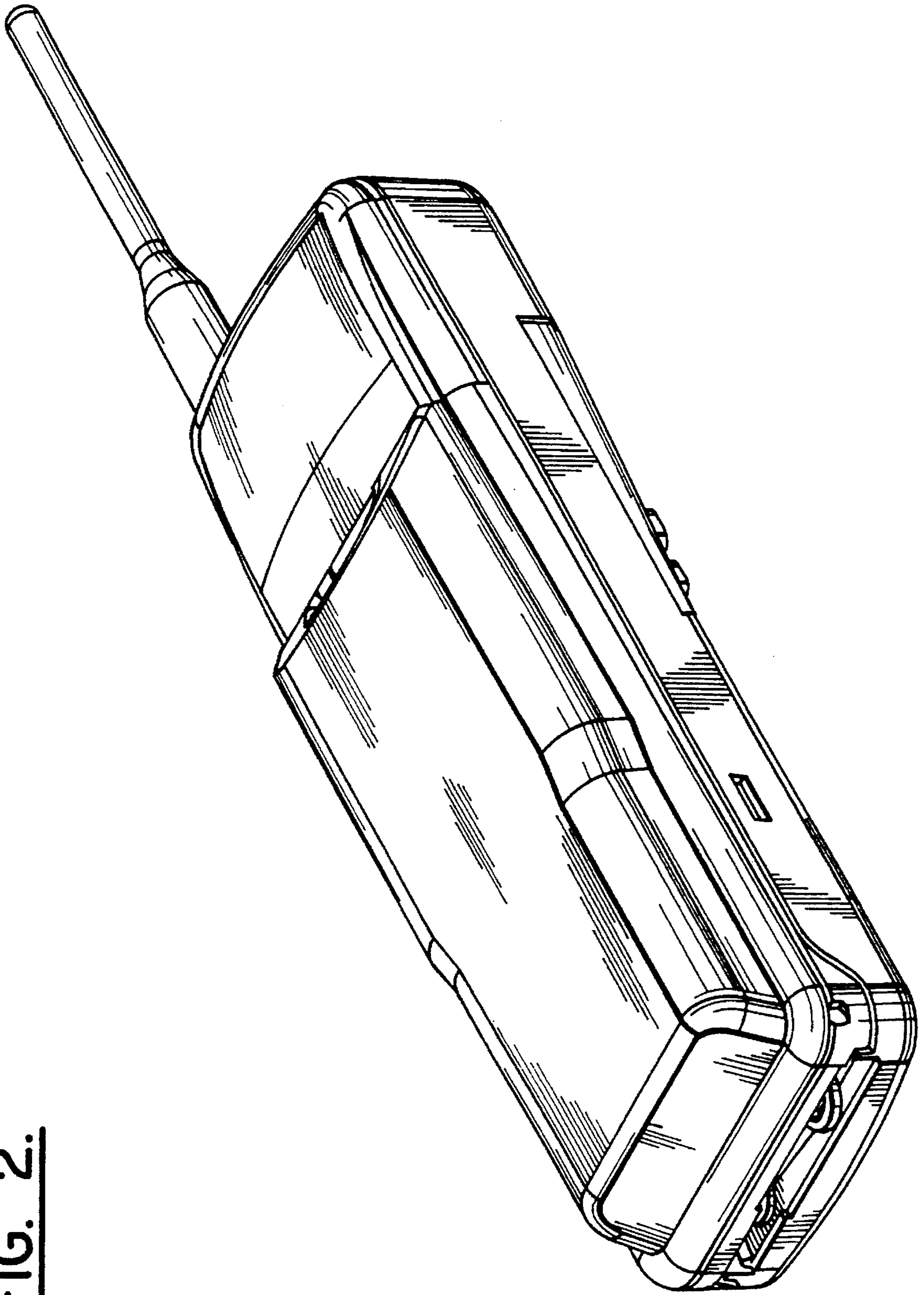


FIG. 2.

FIG. 3.

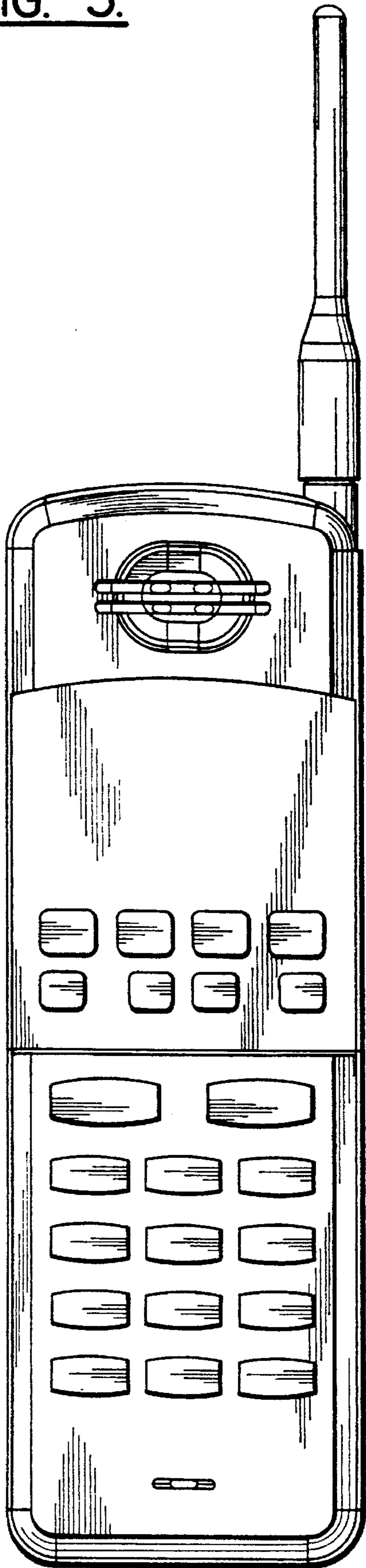


FIG. 4.

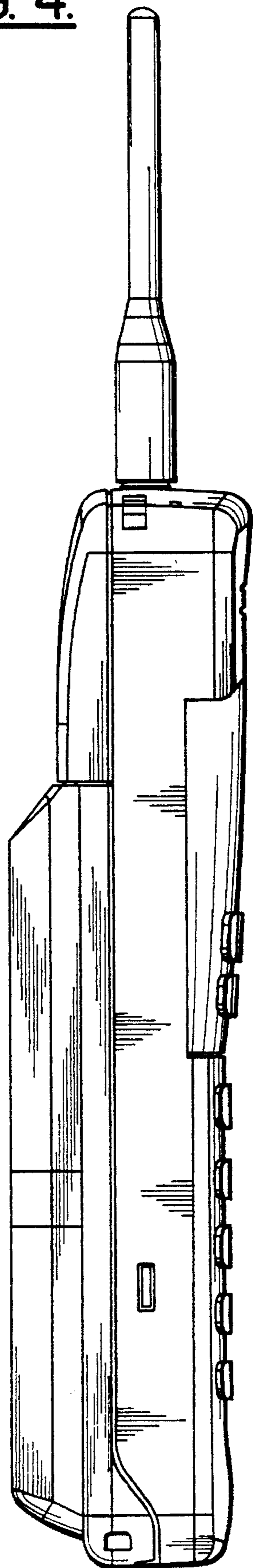


FIG. 5.

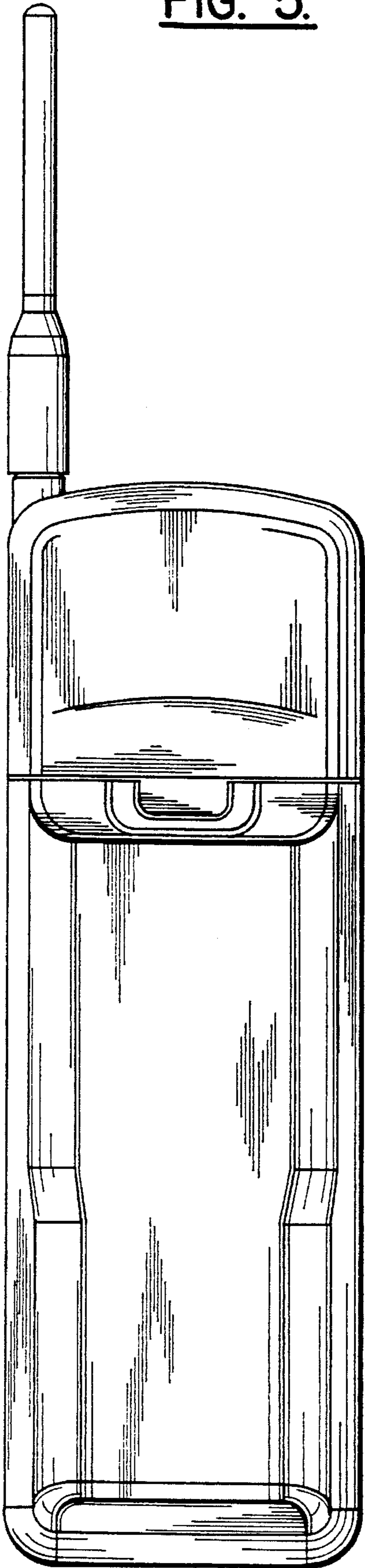


FIG. 6.

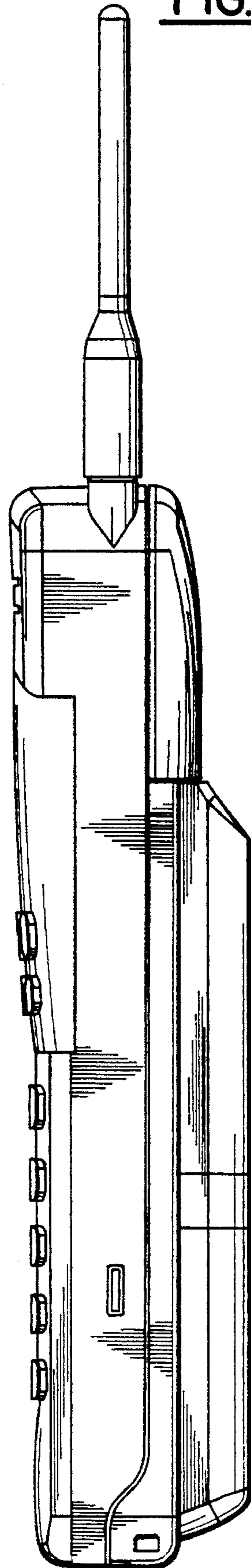


FIG. 7.

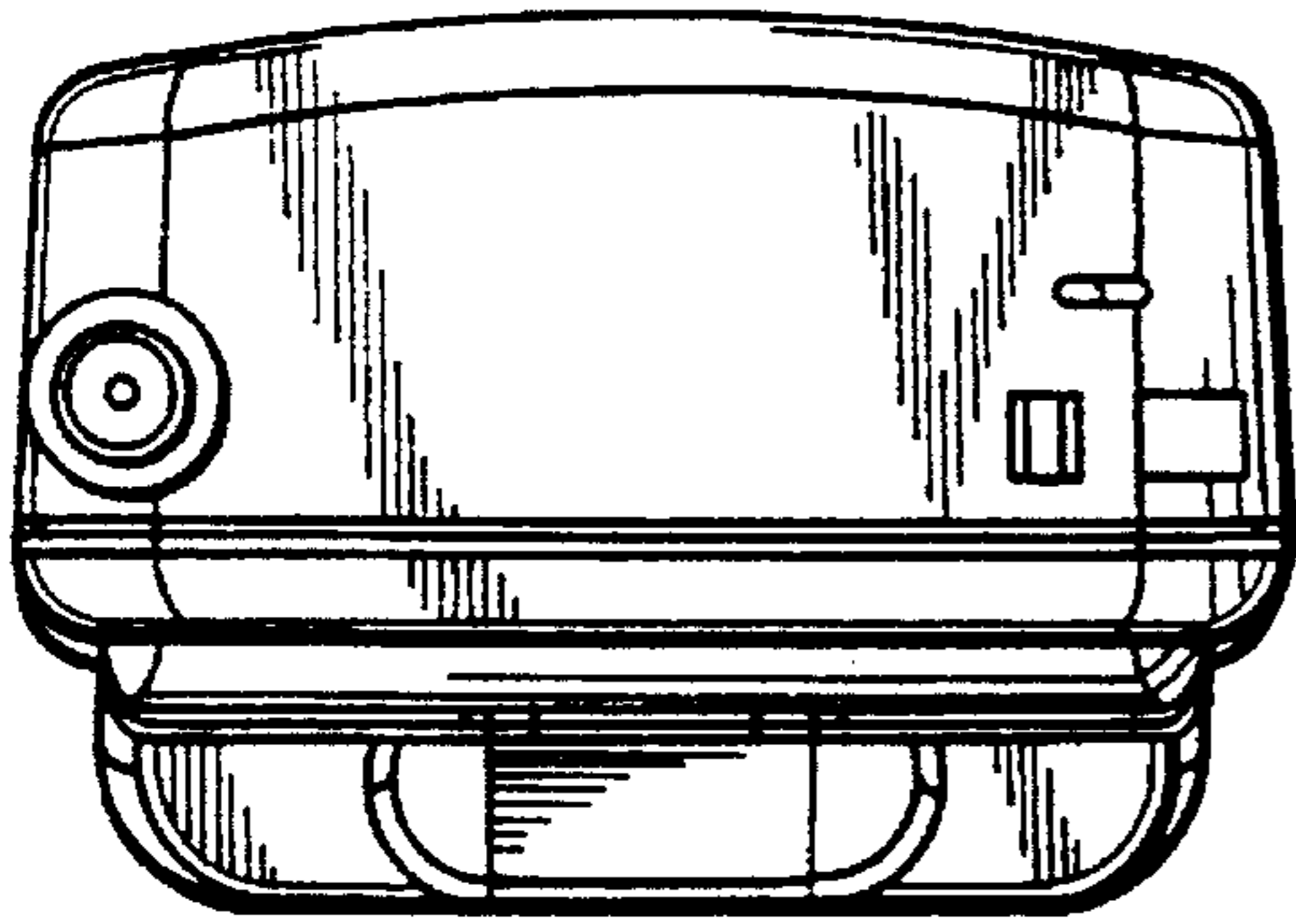


FIG. 8.

