



US00D374000S

United States Patent [19]

[11] Patent Number: **Des. 374,000**

Wood et al.

[45] Date of Patent: ****Sep. 24, 1996**

[54] **CHAIR MOUNTED MOUSE PAD**

[76] Inventors: **David E. Wood; Karen L. Wood; Ryan D. Wood**, all of 1245 West Blvd., Berkley, Mich. 48072

[**] Term: **14 Years**

4,575,149	3/1986	Forestal et al. .	
4,868,888	9/1989	Dayton .	
5,022,706	6/1991	Bryan .	
5,169,210	12/1992	Fricano	297/188.21
5,246,240	9/1993	Romich et al.	297/188.15 X
5,292,173	3/1994	Lambert	297/188.18 X
5,405,109	4/1995	Nordnes	248/918 X

[21] Appl. No.: **37,353**

Primary Examiner—M. H. Tung
Attorney, Agent, or Firm—Dennis H. Lambert

[22] Filed: **Apr. 11, 1995**

[52] U.S. Cl. **D14/114**

[57] **CLAIM**

[58] **Field of Search** D14/114, 100;
D6/582-94, 336, 338, 341; D20/22; 345/156-67;
248/118.1, 917-24; 400/689-93, 715; D7/550-4;
D8/394-5, 397-8; 297/163, 188.01, 188.14-19,
188.2, 188.21

The ornamental design for a chair mounted mouse pad, as shown and described.

DESCRIPTION

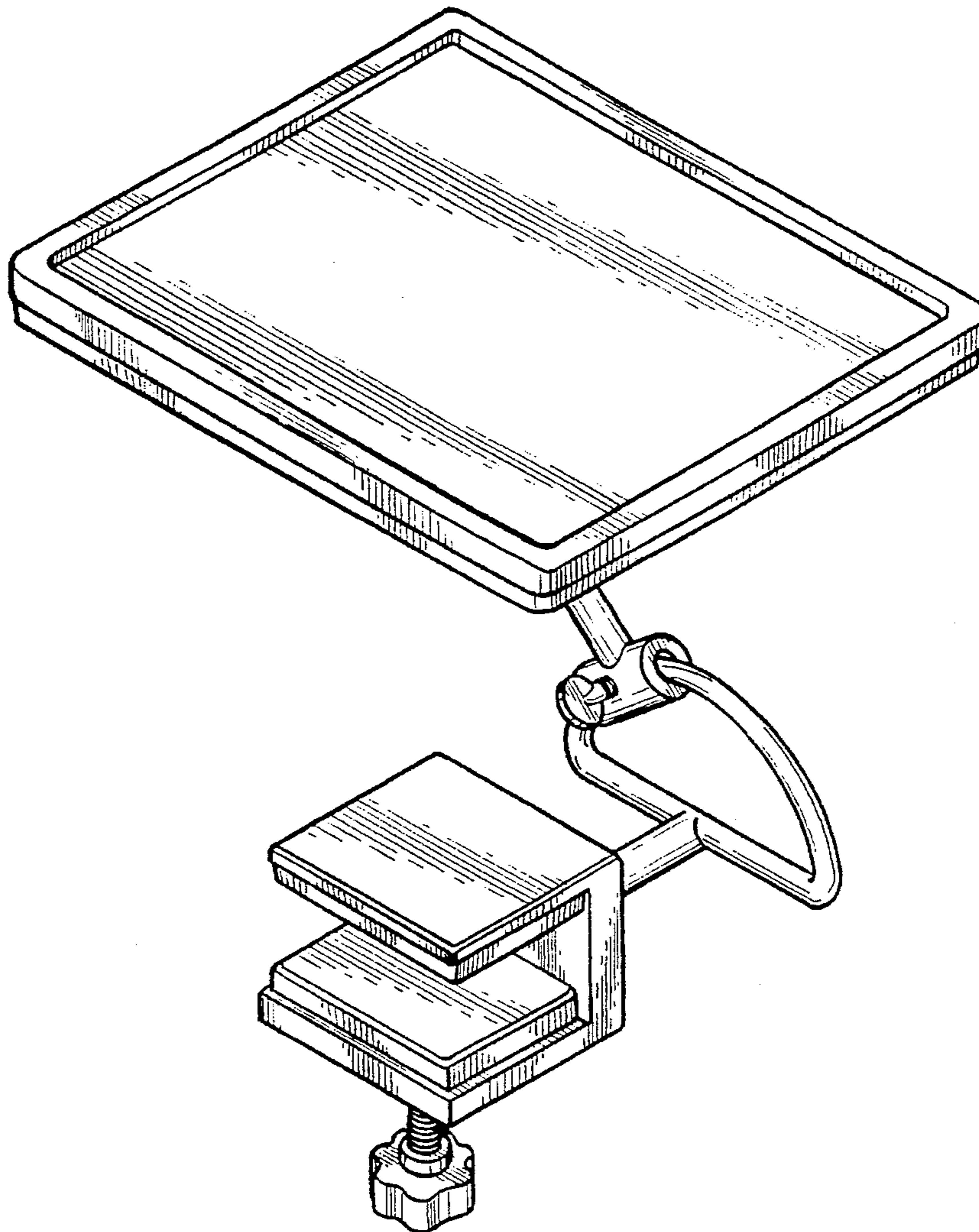
FIG. 1 is a rear, top and side perspective view of the chair mounted mouse pad showing our new design; FIG. 2 is a left side elevational view thereof; FIG. 3 is a right side elevational view thereof; FIG. 4 is a rear elevational view thereof; FIG. 5 is a front elevational view thereof; FIG. 6 is a top plan view thereof; and, FIG. 7 is a bottom plan view thereof.

[56] **References Cited**

U.S. PATENT DOCUMENTS

D. 315,463	3/1991	Spiegel	D6/338 X
D. 331,921	12/1992	Gutke et al.	D14/114
D. 339,799	9/1993	Allen	D14/114
D. 361,556	8/1995	Moro et al.	D14/114
4,455,008	9/1984	Mackew	297/188.18 X

1 Claim, 5 Drawing Sheets



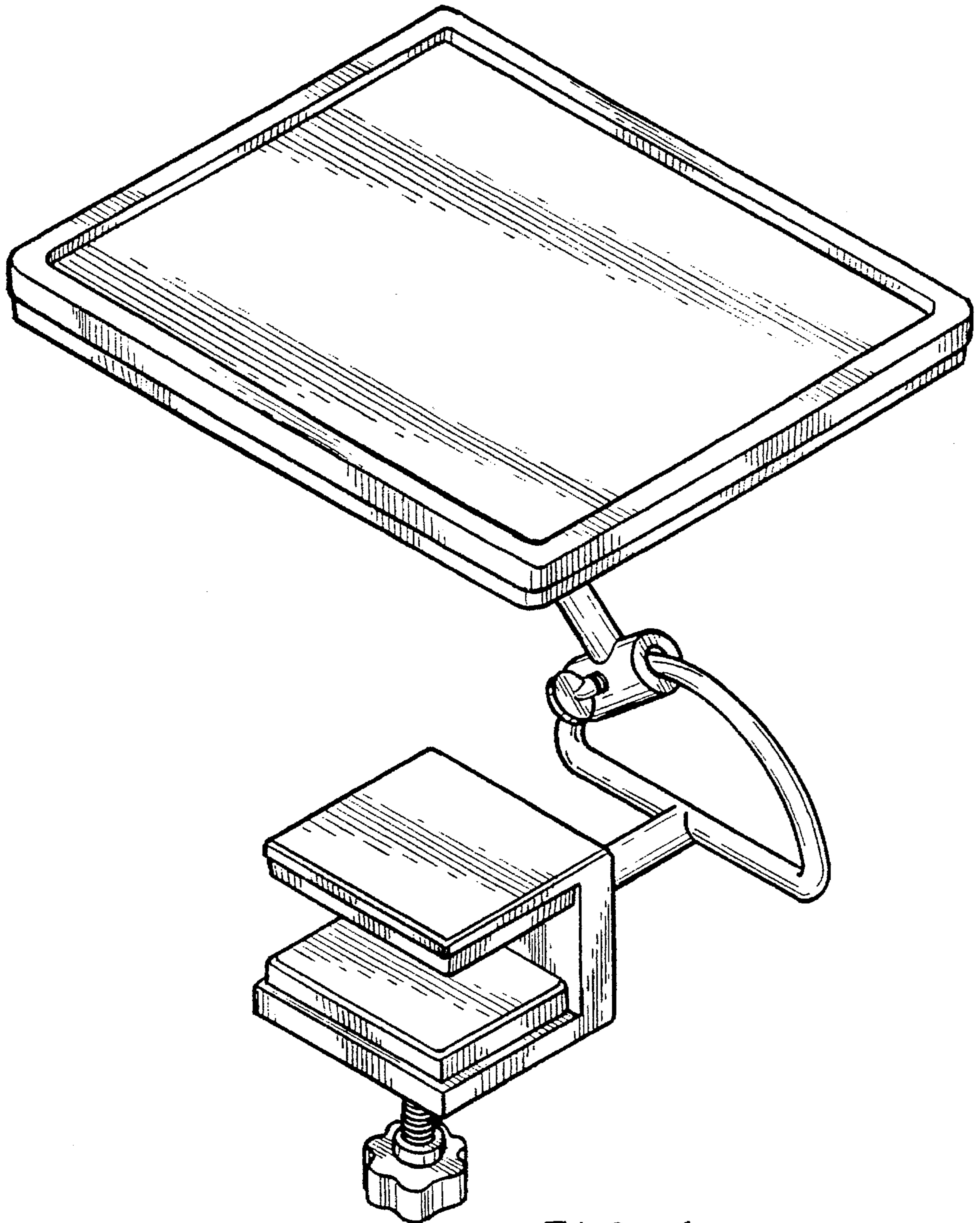


FIG. 1

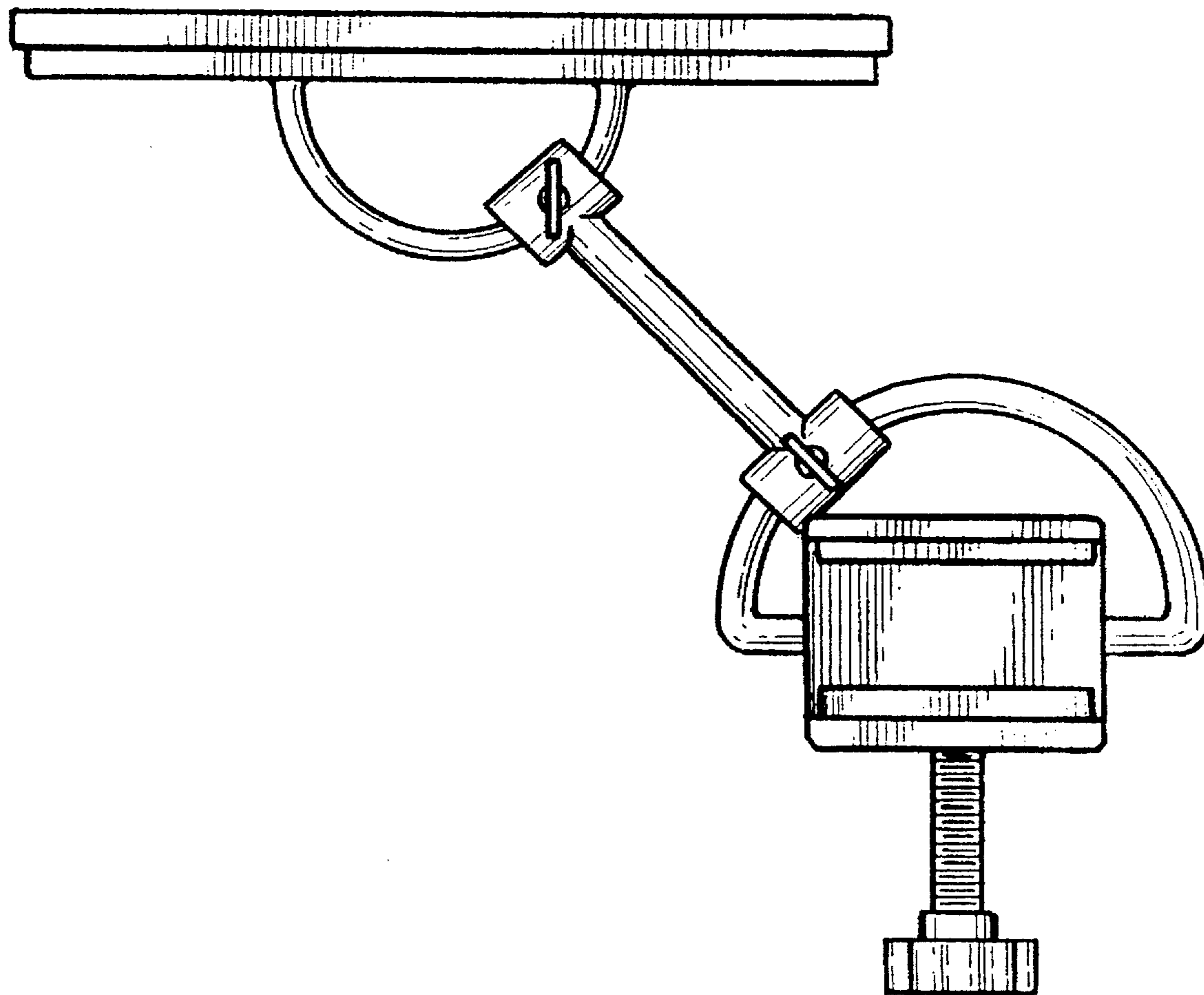


FIG. 2

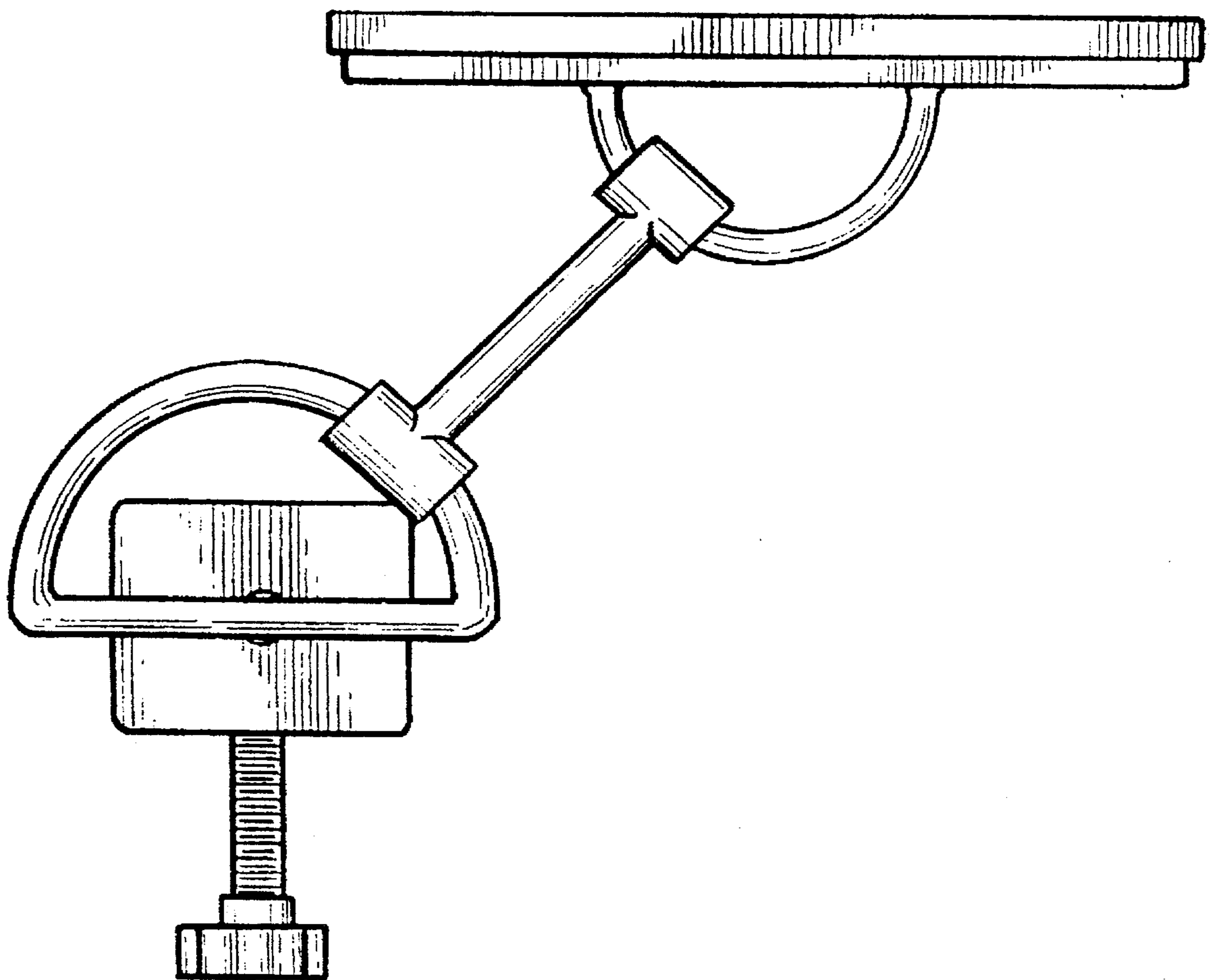
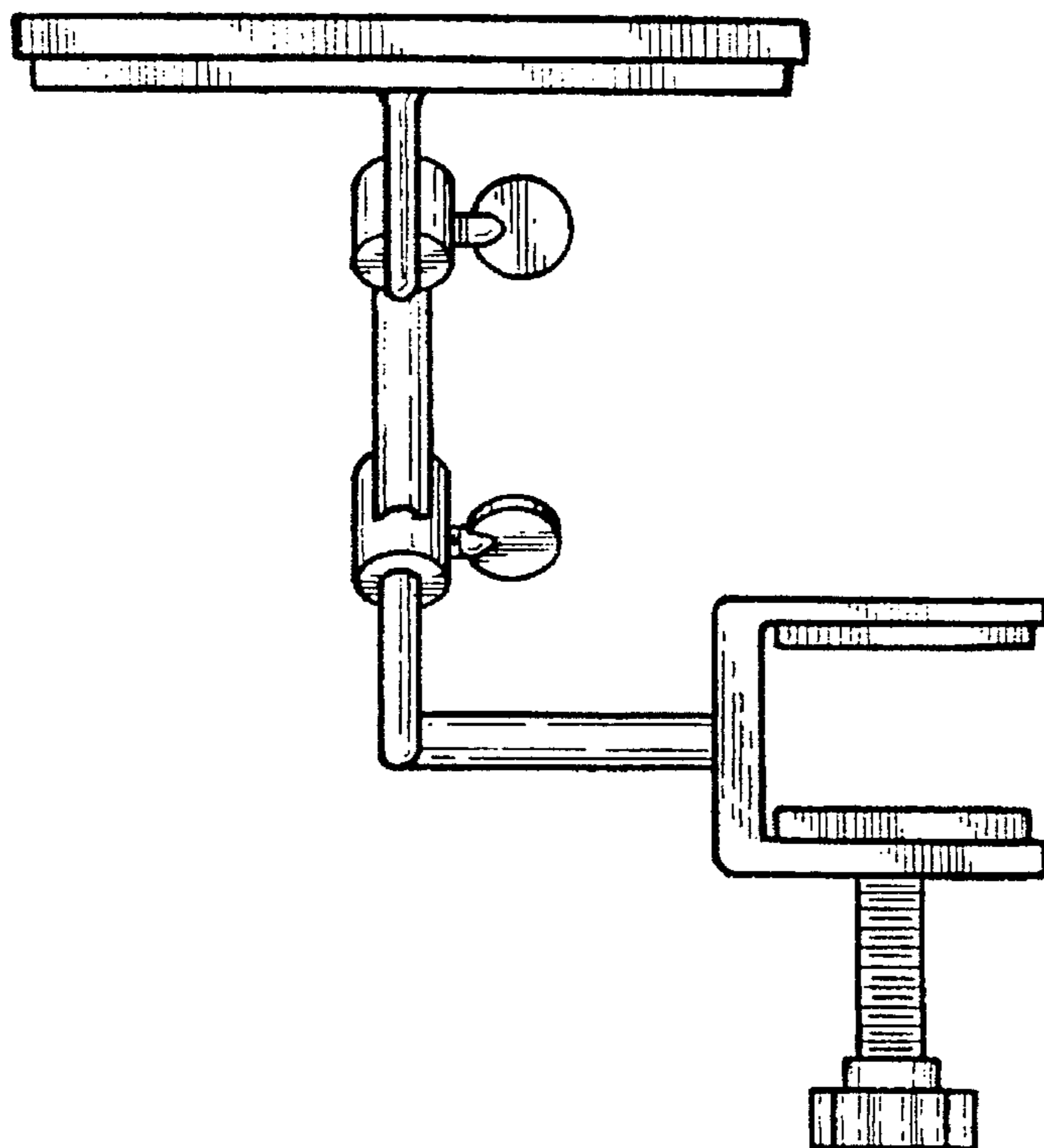
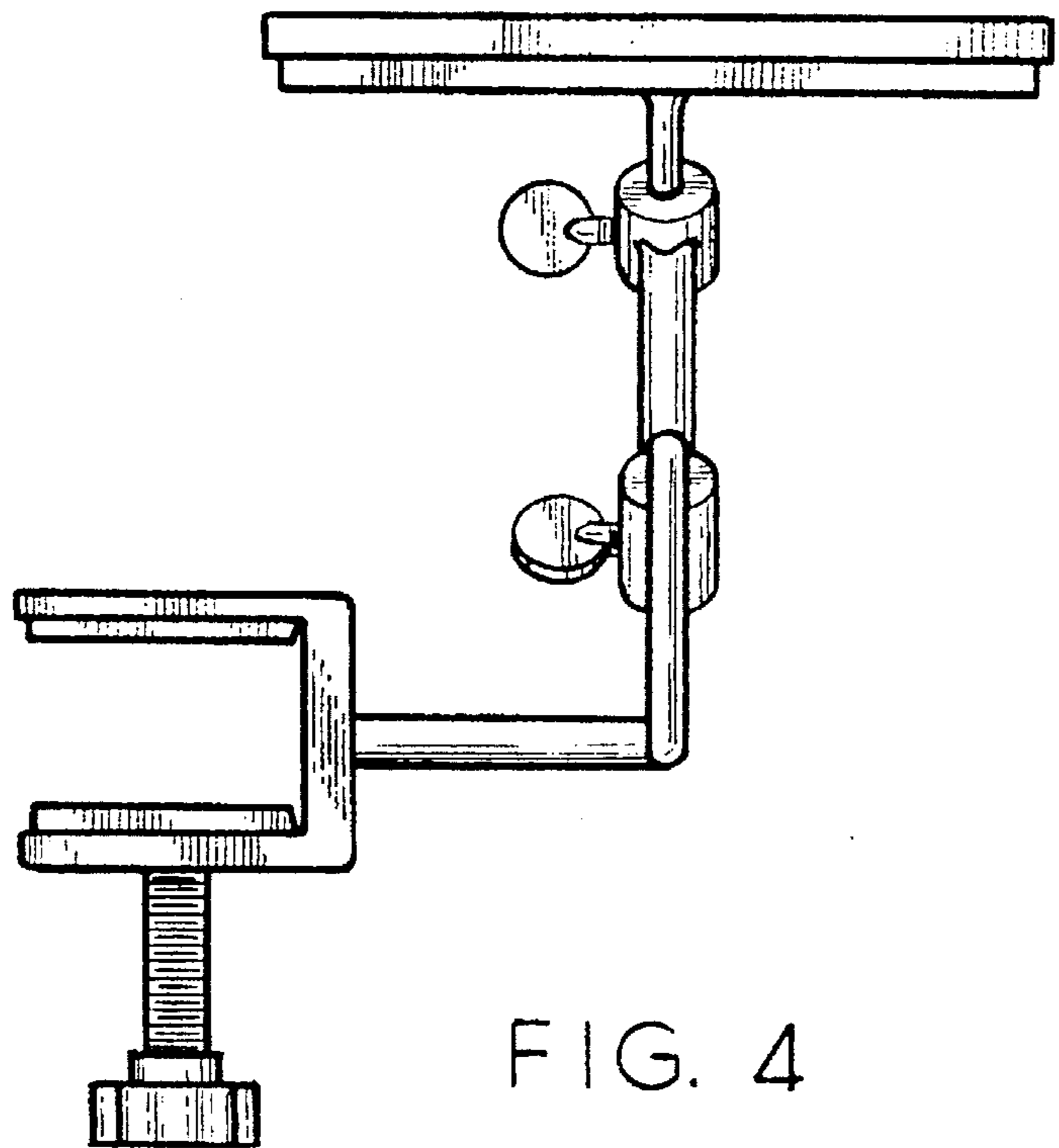


FIG. 3



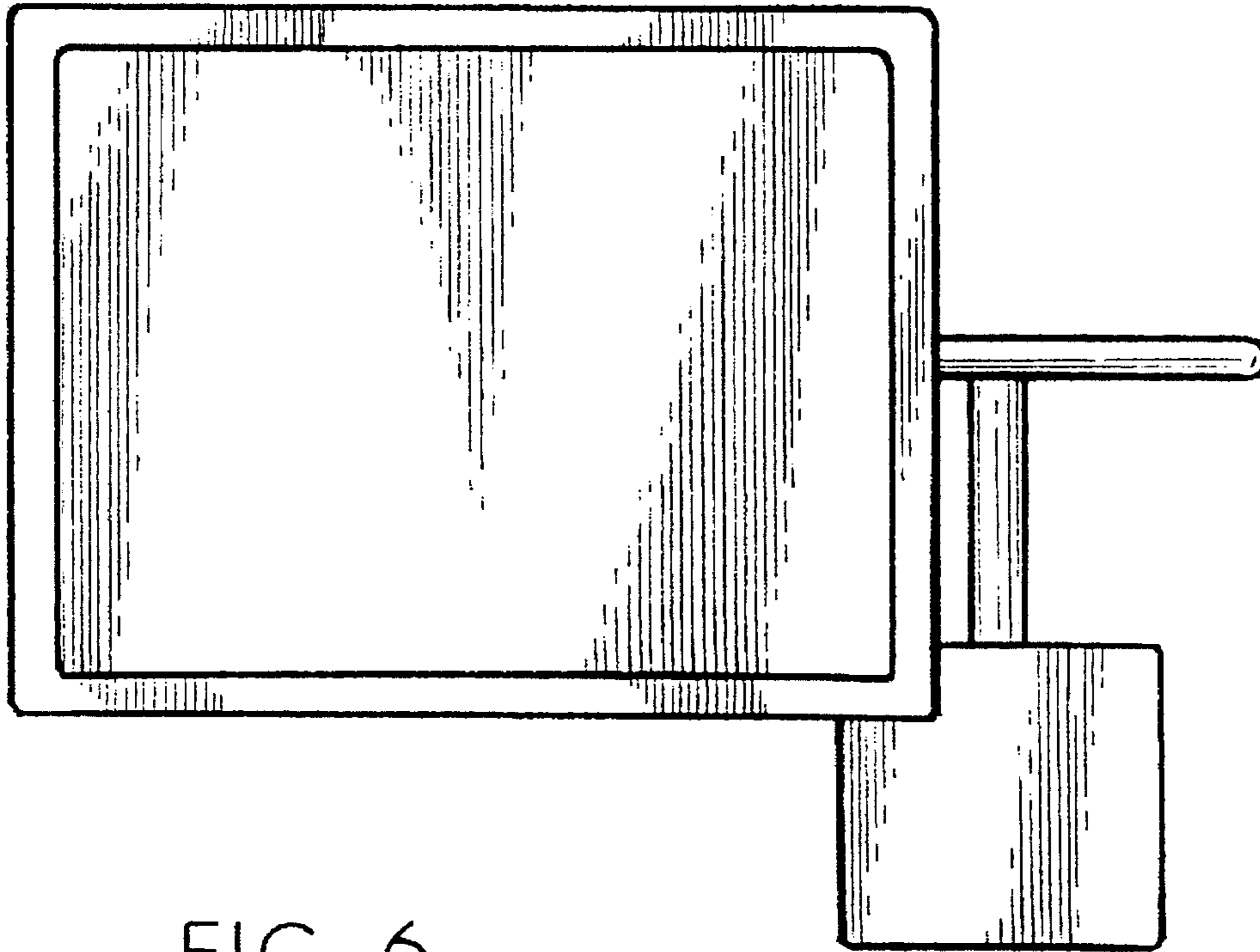


FIG. 6

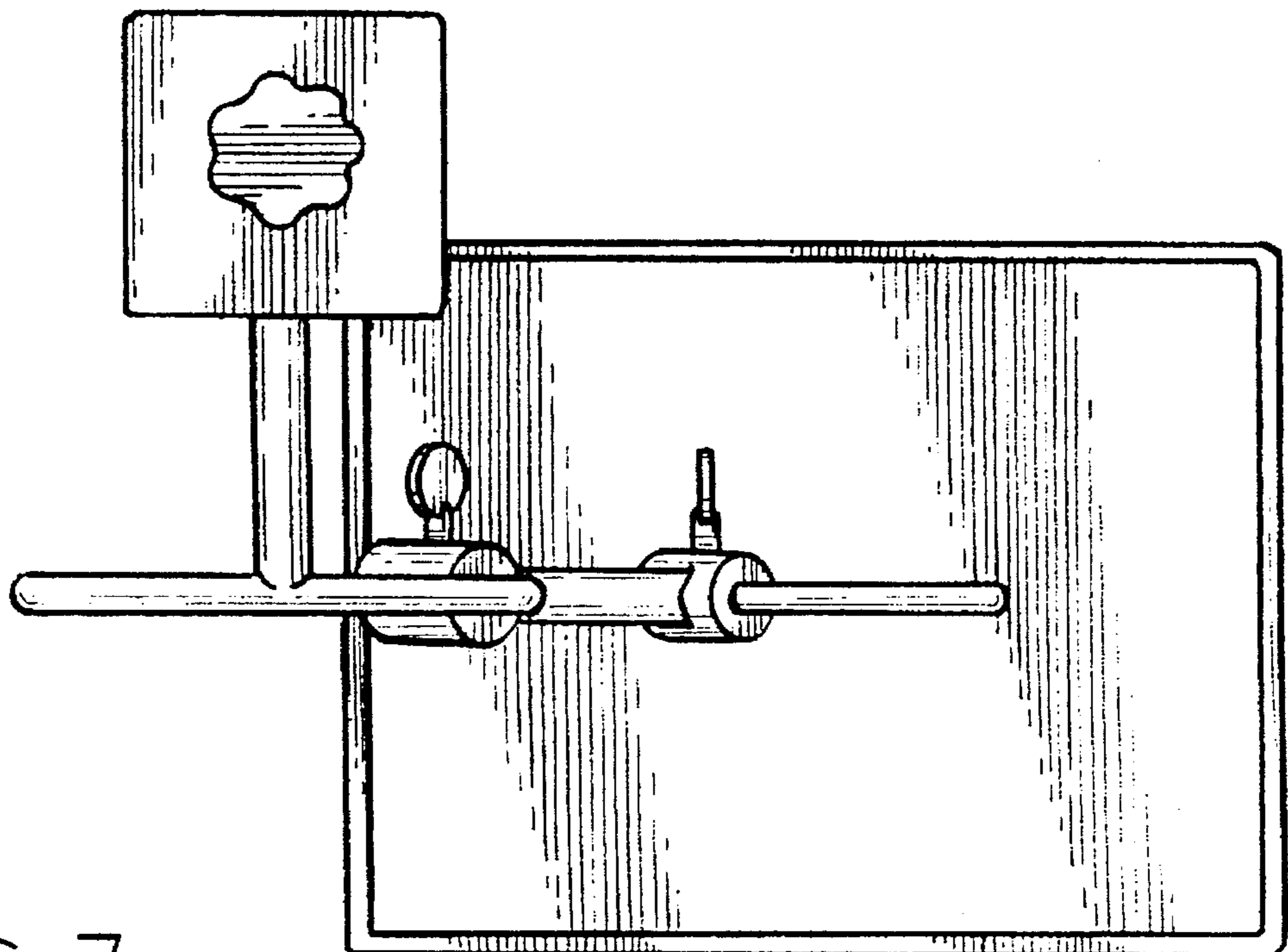


FIG. 7