



US00D373994S

United States Patent [19]

Kammersgard et al.

[11] Patent Number: **Des. 373,994**

[45] Date of Patent: ****Sep. 24, 1996**

[54] **FIXED CURVED JUMPER**

4,950,178 8/1990 Harvey et al. 439/507
5,080,609 1/1992 Fabian et al. 439/540

[75] Inventors: **Dana W. Kammersgard**, Vista; **Angus R. Colson, Jr.**, Jamul; **Steven B. Cook**, Vista, all of Calif.

Primary Examiner—Joel Sincavage
Attorney, Agent, or Firm—John J. Murphey; Murphey Law Offices

[73] Assignee: **Artecon**, Carlsbad, Calif.

[57] **CLAIM**

[**] Term: **14 Years**

The ornamental design for a fixed curved jumper, as shown and described.

[21] Appl. No.: **45,796**

DESCRIPTION

[22] Filed: **Oct. 30, 1995**

Related U.S. Application Data

[62] Division of Ser. No. 40,141, Jun. 12, 1995, which is a division of Ser. No. 28,437, Sep. 15, 1994, abandoned.

[52] **U.S. Cl.** **D13/146**

[58] **Field of Search** D13/146, 147;
439/507, 509, 655, 246, 247, 460

FIG. 1 is a front view of the fixed curved jumper showing our new design;

FIG. 2 is a left side view of the fixed curved jumper showing our new design with the right side view being a mirror image thereof;

FIG. 3 is a rear view of our new design;

FIG. 4 is a top view of the fixed curved jumper showing our new design;

FIG. 5 is a bottom view of our new design; and,

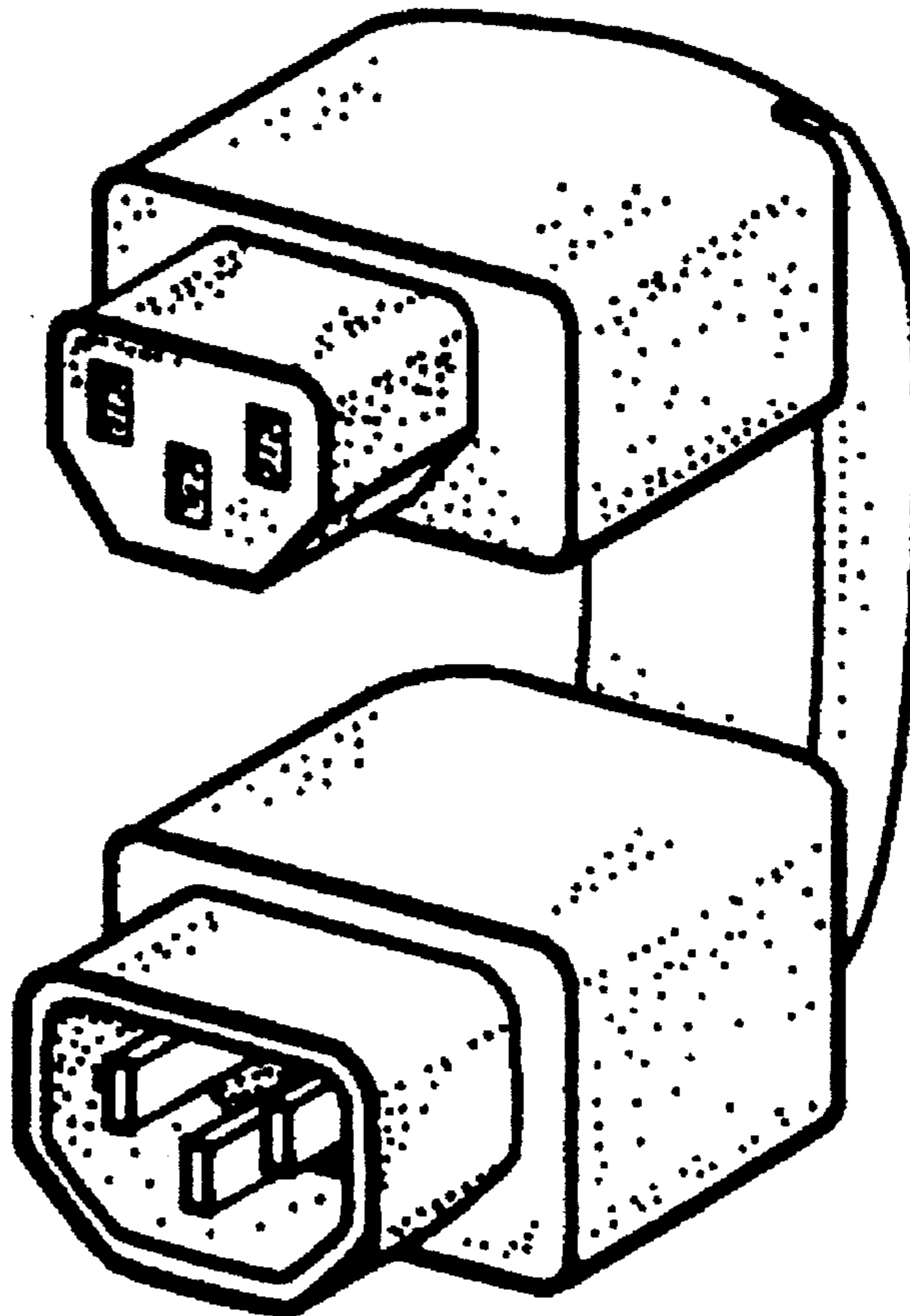
FIG. 6 is a trimetric view of our fixed curved jumper showing the new design.

[56] **References Cited**

U.S. PATENT DOCUMENTS

D. 356,295 3/1995 Shoda et al. D13/146
4,659,161 4/1987 Holcomb 439/620 X

1 Claim, 2 Drawing Sheets



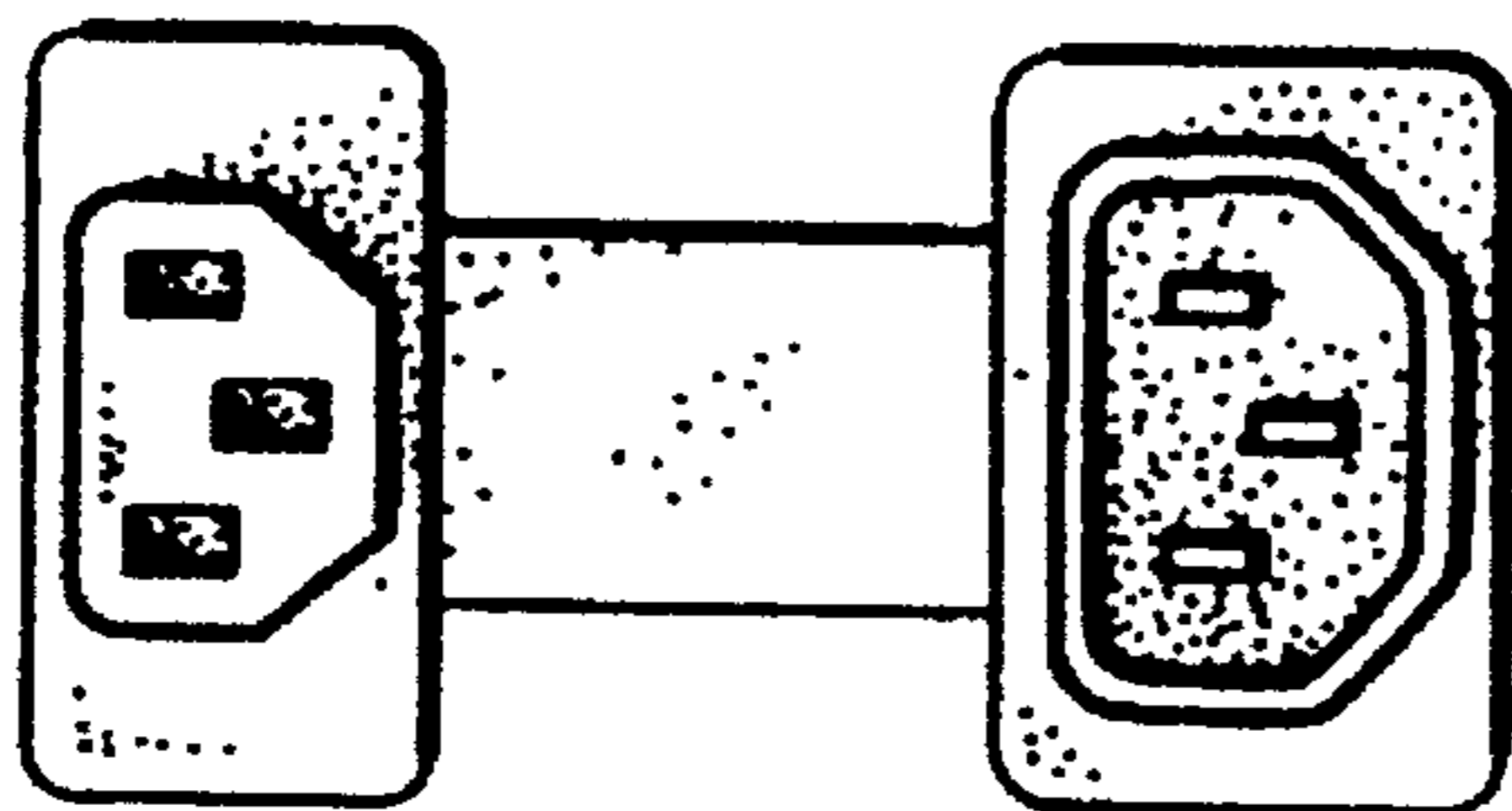


FIG. 1

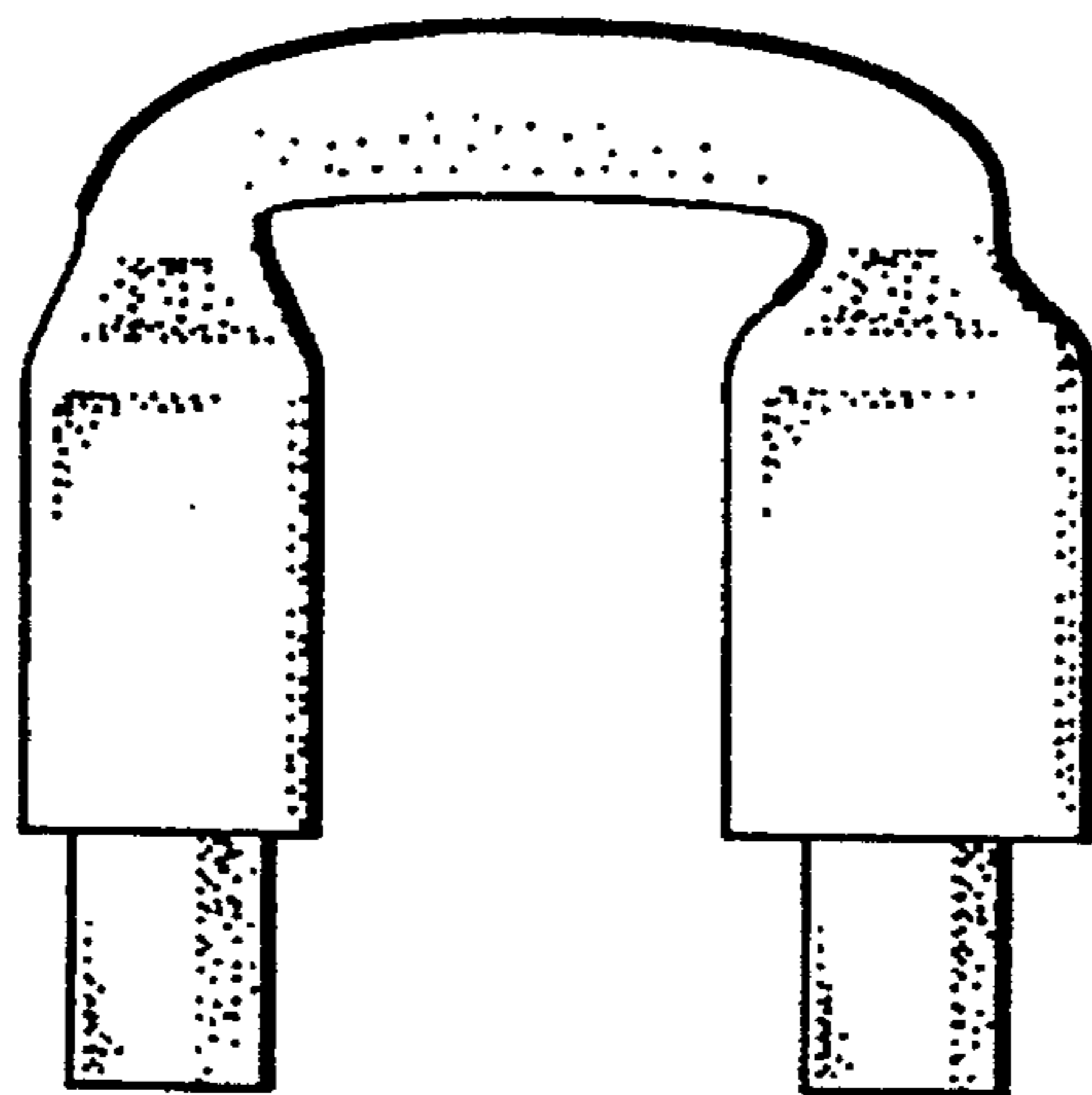


FIG. 2

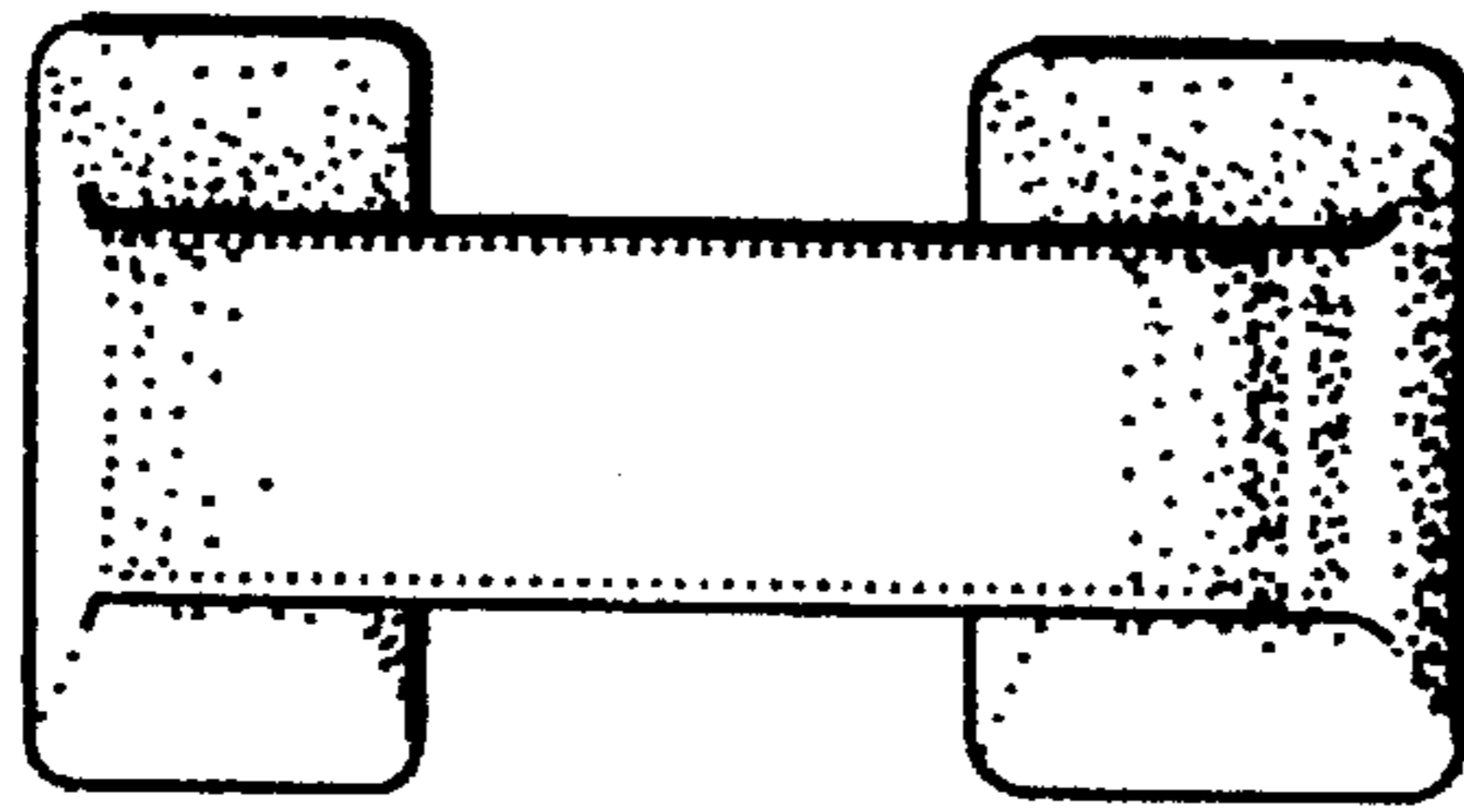


FIG. 3

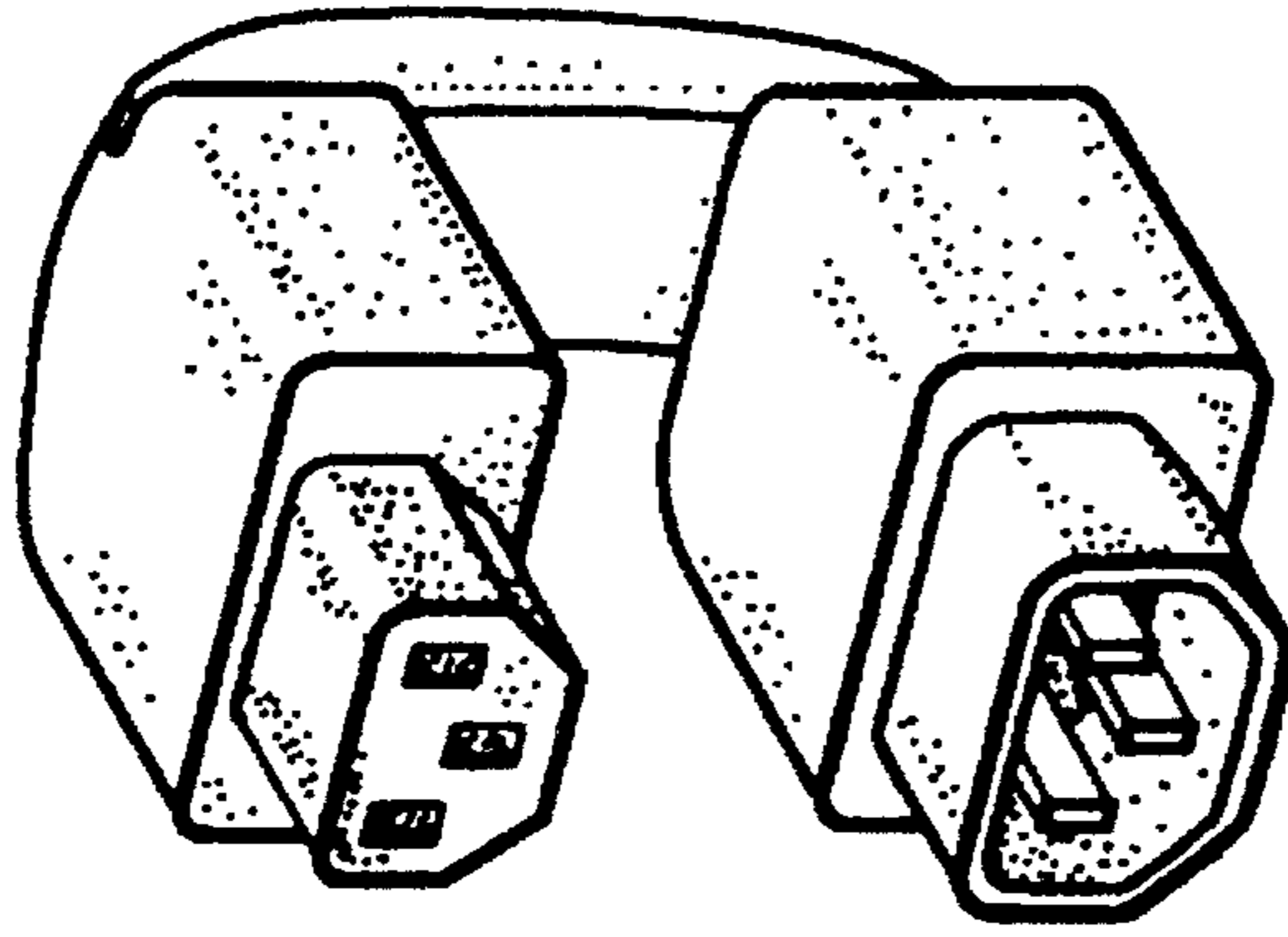


FIG. 6

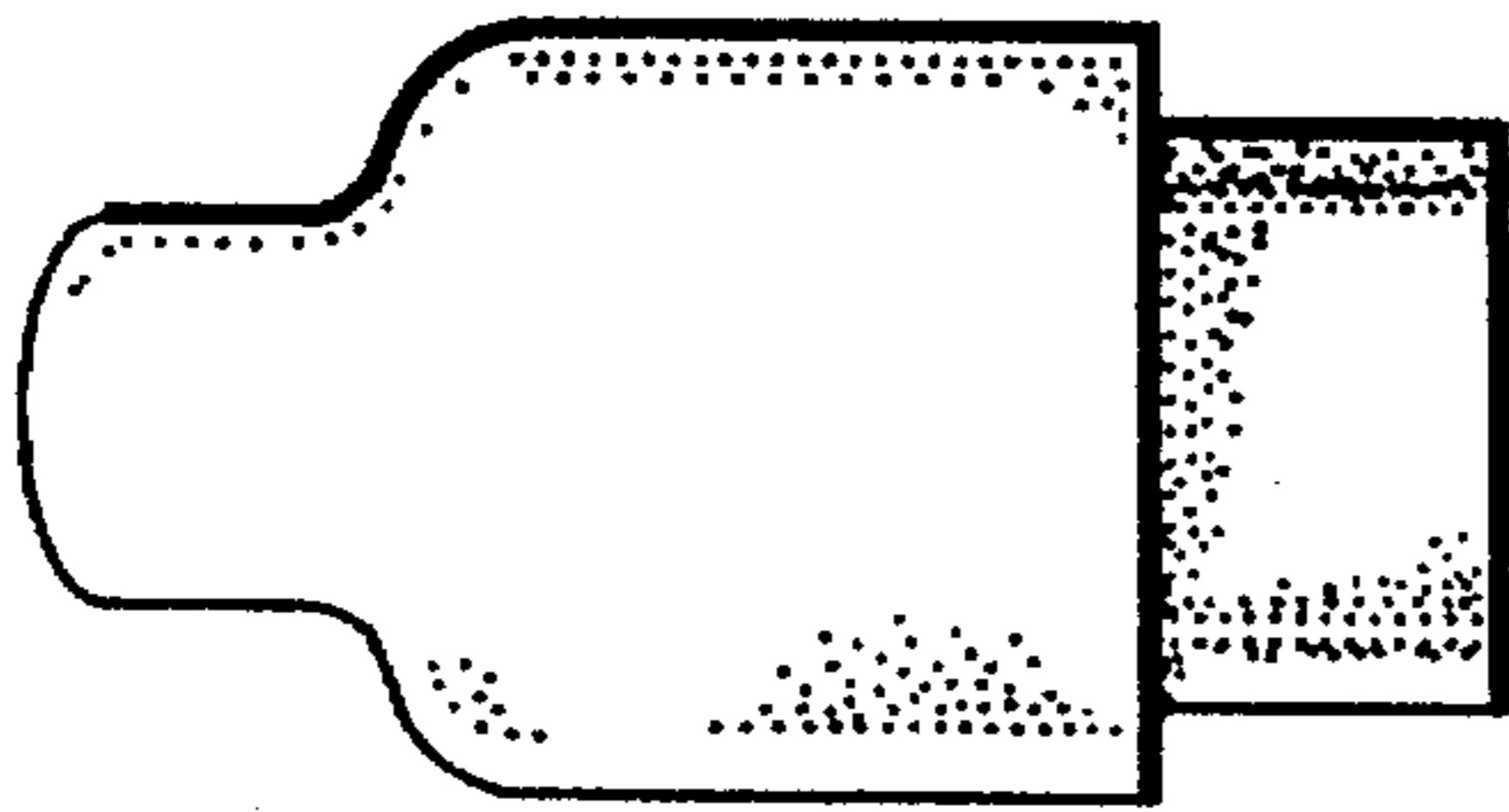


FIG. 4

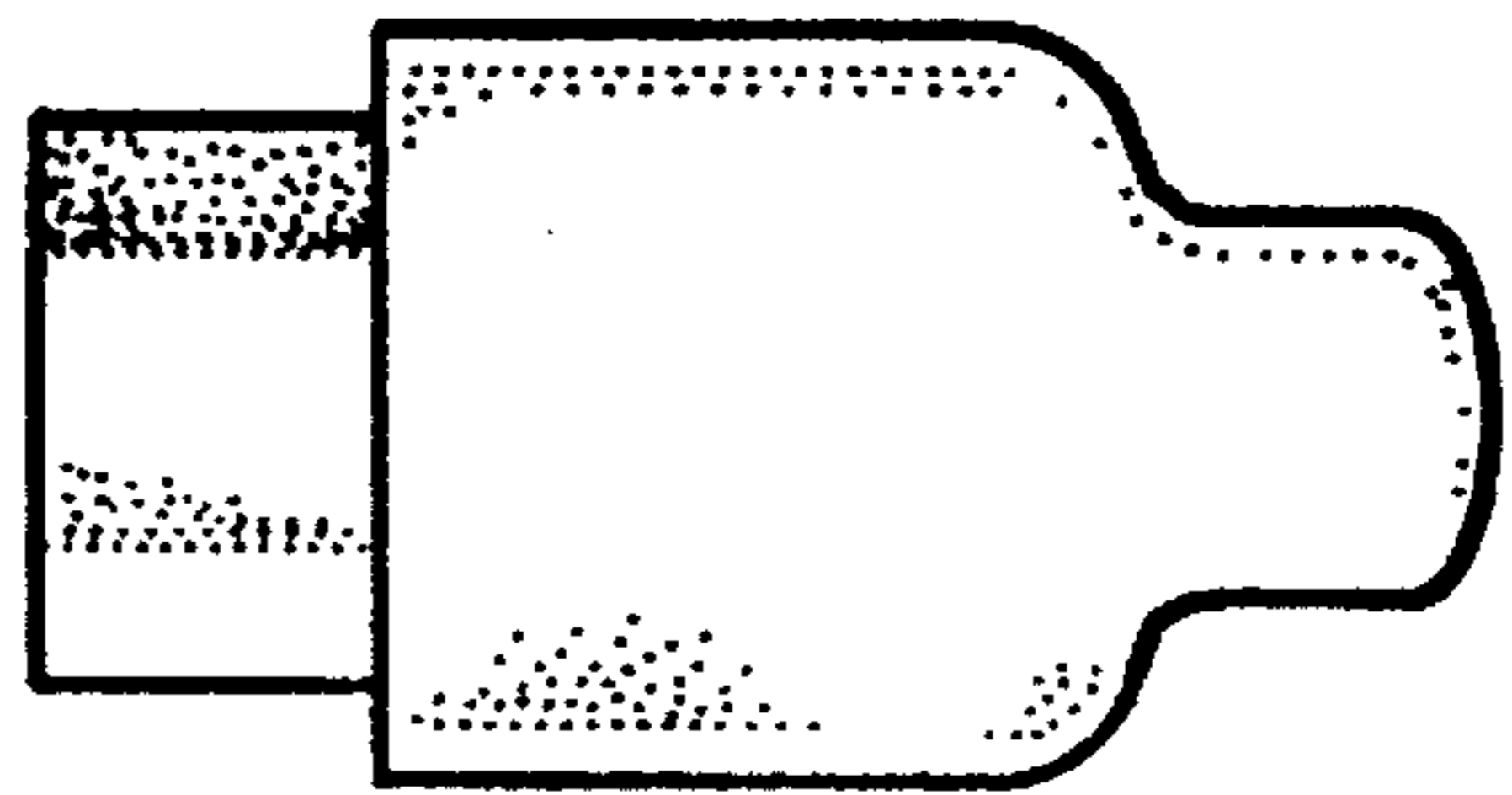


FIG. 5