



US00D373993S

# United States Patent [19]

Kettula

[11] Patent Number: Des. 373,993

[45] Date of Patent: \*\*Sep. 24, 1996

[54] BATTERY CHARGER AND ADAPTER

[75] Inventor: Jan Kettula, Turku, Finland

[73] Assignee: Salcomp Oy, Salo, Finland

[\*\*] Term: 14 Years

[21] Appl. No.: 30,934

[22] Filed: Nov. 14, 1994

[30] Foreign Application Priority Data

May 11, 1994 [FI] Finland ..... 354/94

[52] U.S. Cl. .... D13/107

[58] Field of Search ..... D13/107, 108,  
D13/110, 119; 320/2, 3, 4, 15; 336/92,  
107; 363/146

[56] References Cited

U.S. PATENT DOCUMENTS

4,611,160 9/1986 Camens ..... 320/2  
4,746,851 5/1988 Otto et al. .... 320/2  
5,019,767 5/1991 Shirai et al. .... 320/2

FOREIGN PATENT DOCUMENTS

1119384 12/1961 Germany ..... 320/2

Primary Examiner—Joel Sincavage

Attorney, Agent, or Firm—Klauber & Jackson

[57] CLAIM

The ornamental design for battery charger and adapter, as shown.

DESCRIPTION

FIG. 1 is a right perspective view showing the battery charger and adapter of my new design; FIG. 2 is a left perspective view thereof; FIG. 3 is a right perspective view similar to that of FIG. 1, illustrating the male and female portions of the battery charger and adapter separated from each other; FIG. 4 is a left hand perspective view similar to that of FIG. 2, showing the male and female portions of the battery charger and adapter separated from each other; FIG. 5 is a front plan view thereof; FIG. 6 is a right side view thereof; FIG. 7 is a top view thereof; FIG. 8 is a back view thereof; FIG. 9 is a right side view showing the male and female portions of the battery charger and adapter separated from each other; and, FIG. 10 is a left side view showing the male and female portions of the battery charger and adapter separated from each other.

1 Claim, 5 Drawing Sheets

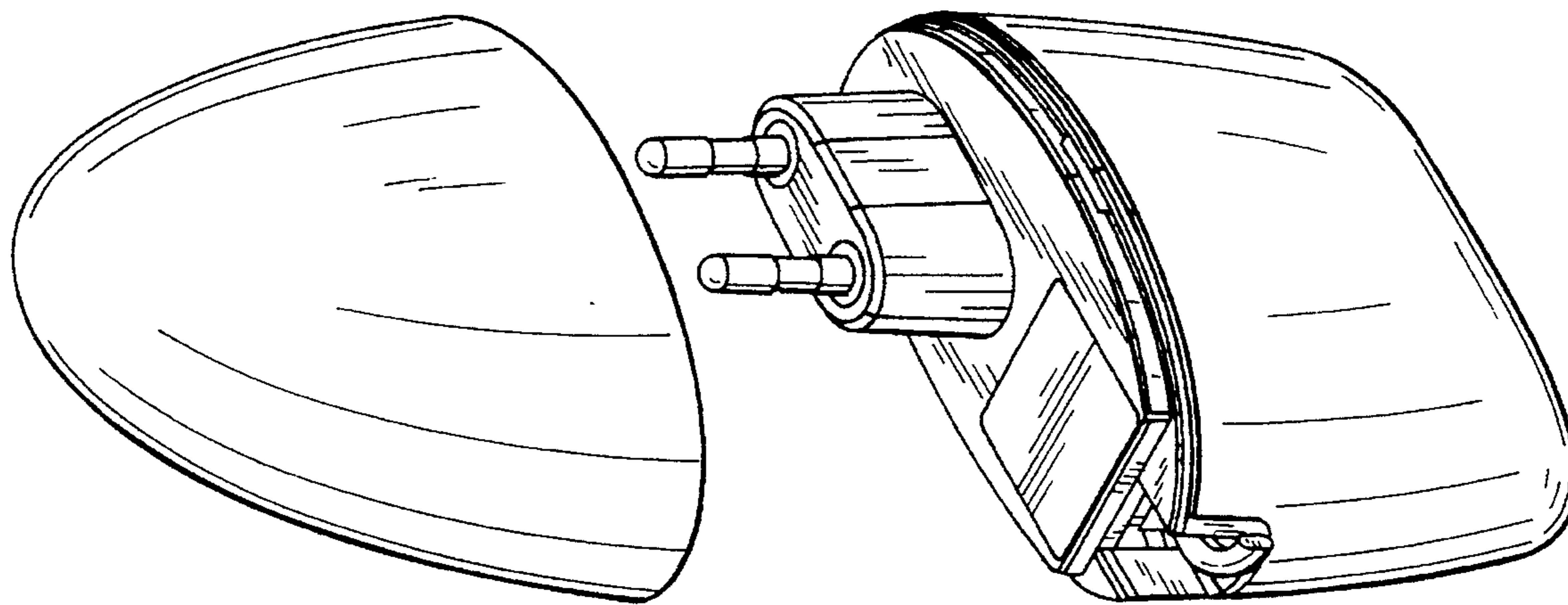


FIG. 1

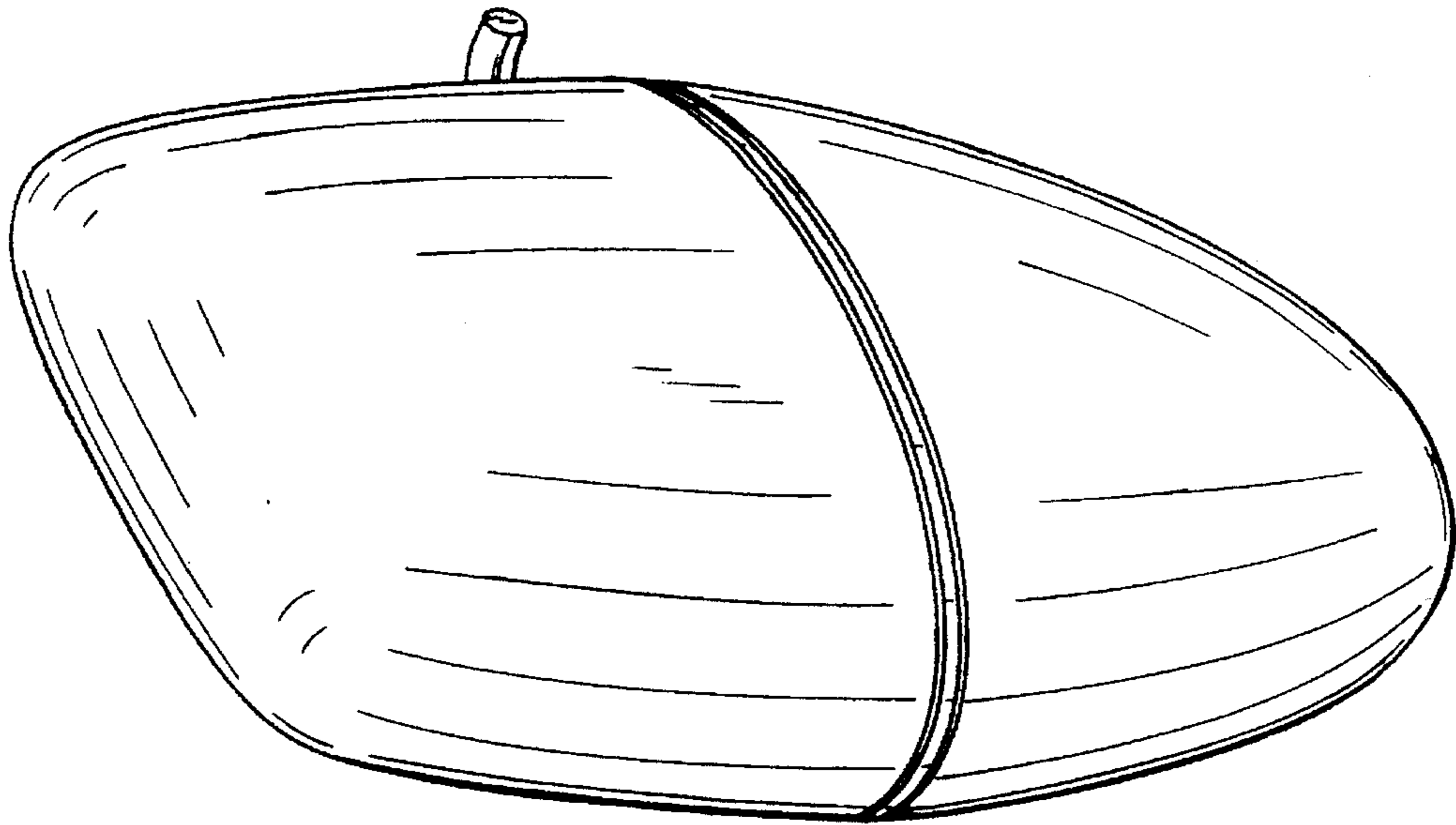


FIG. 2

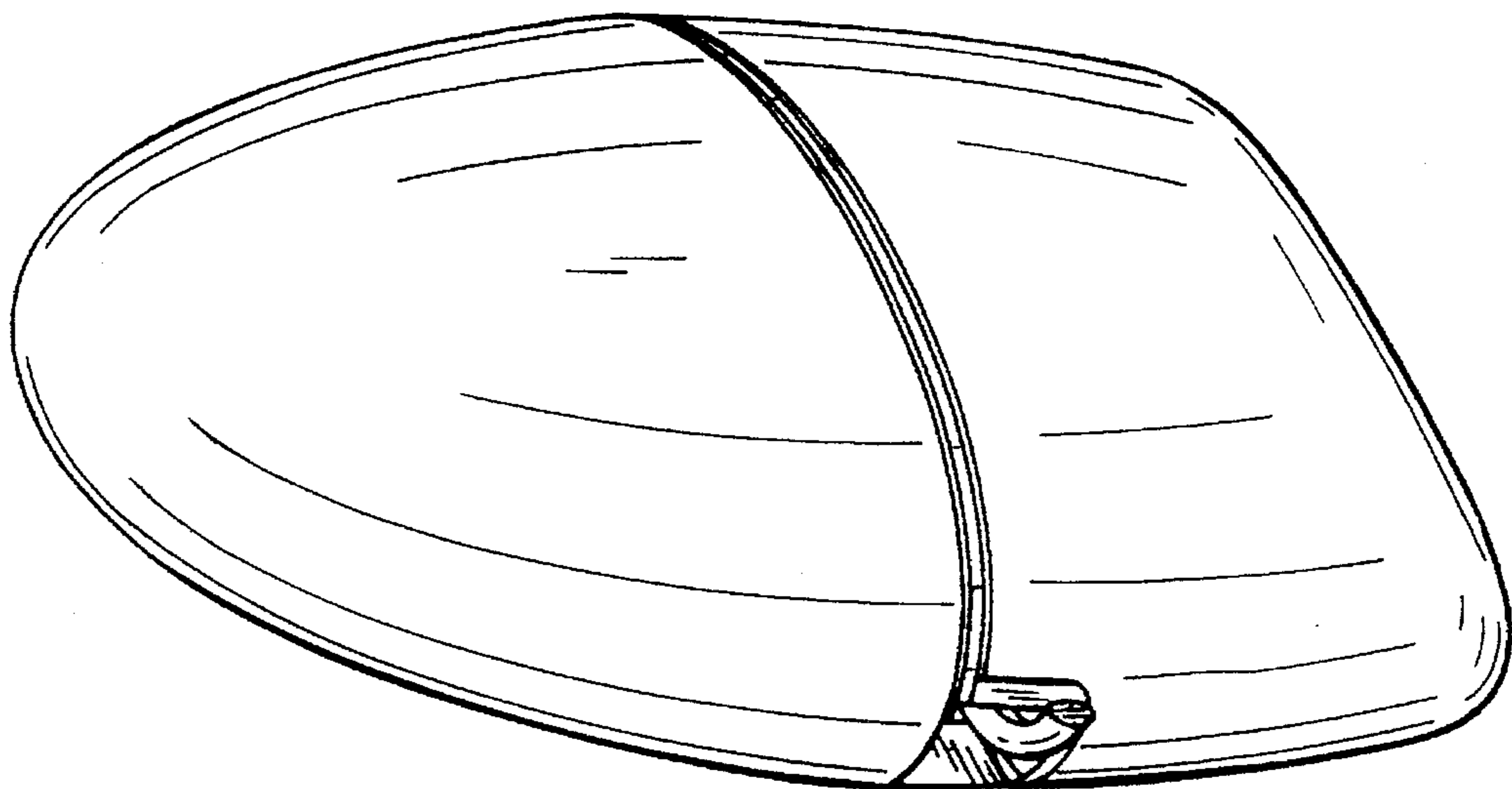


FIG.3

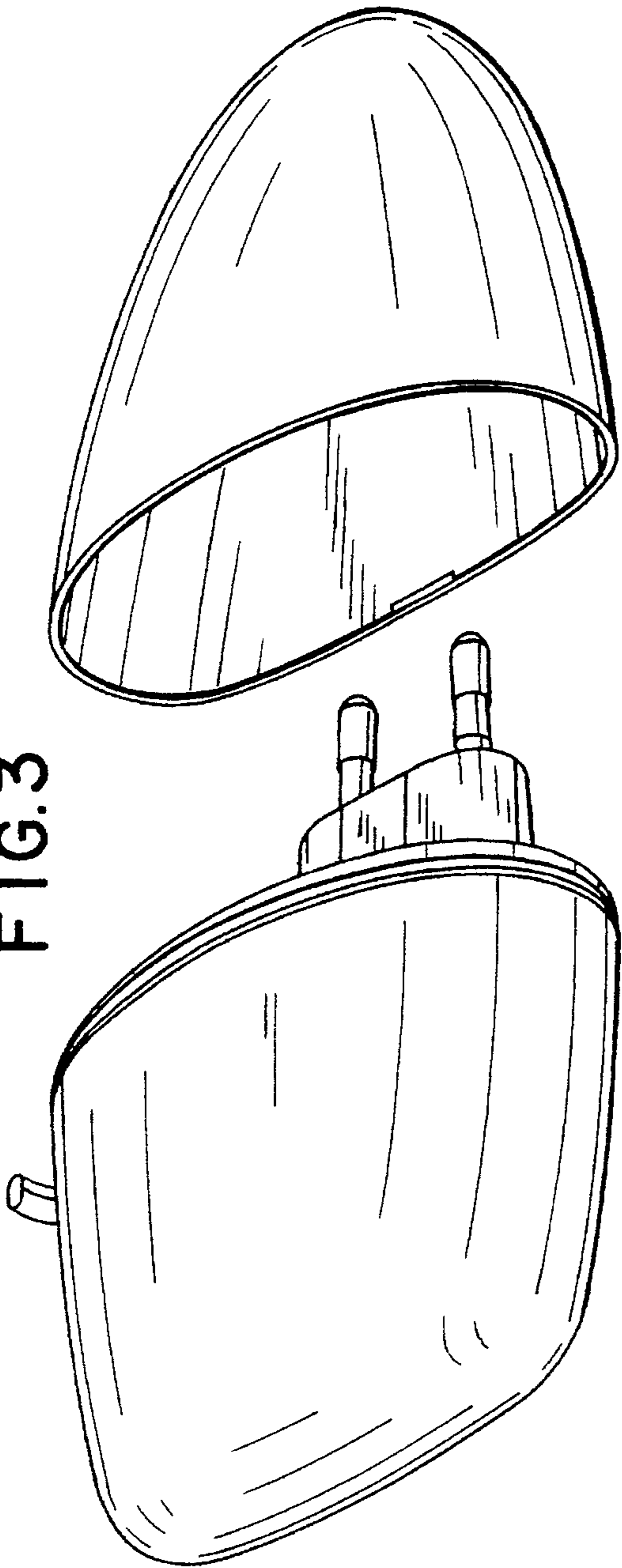


FIG.4

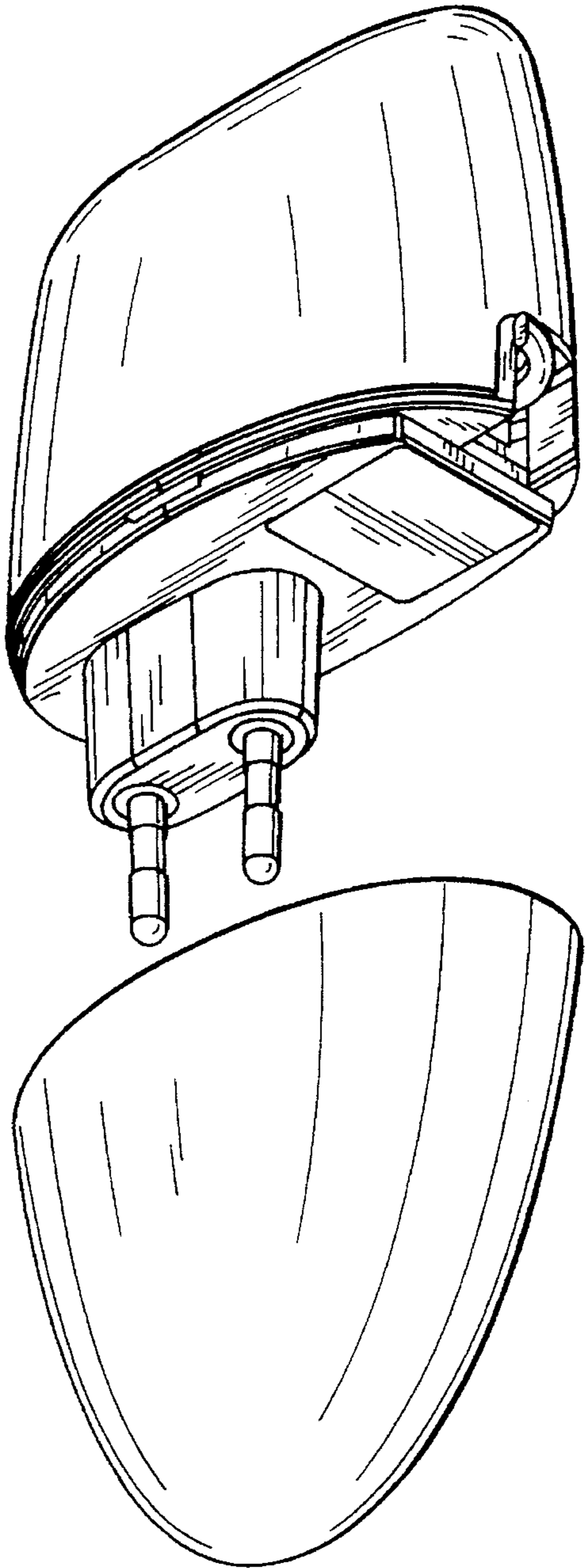


FIG.7

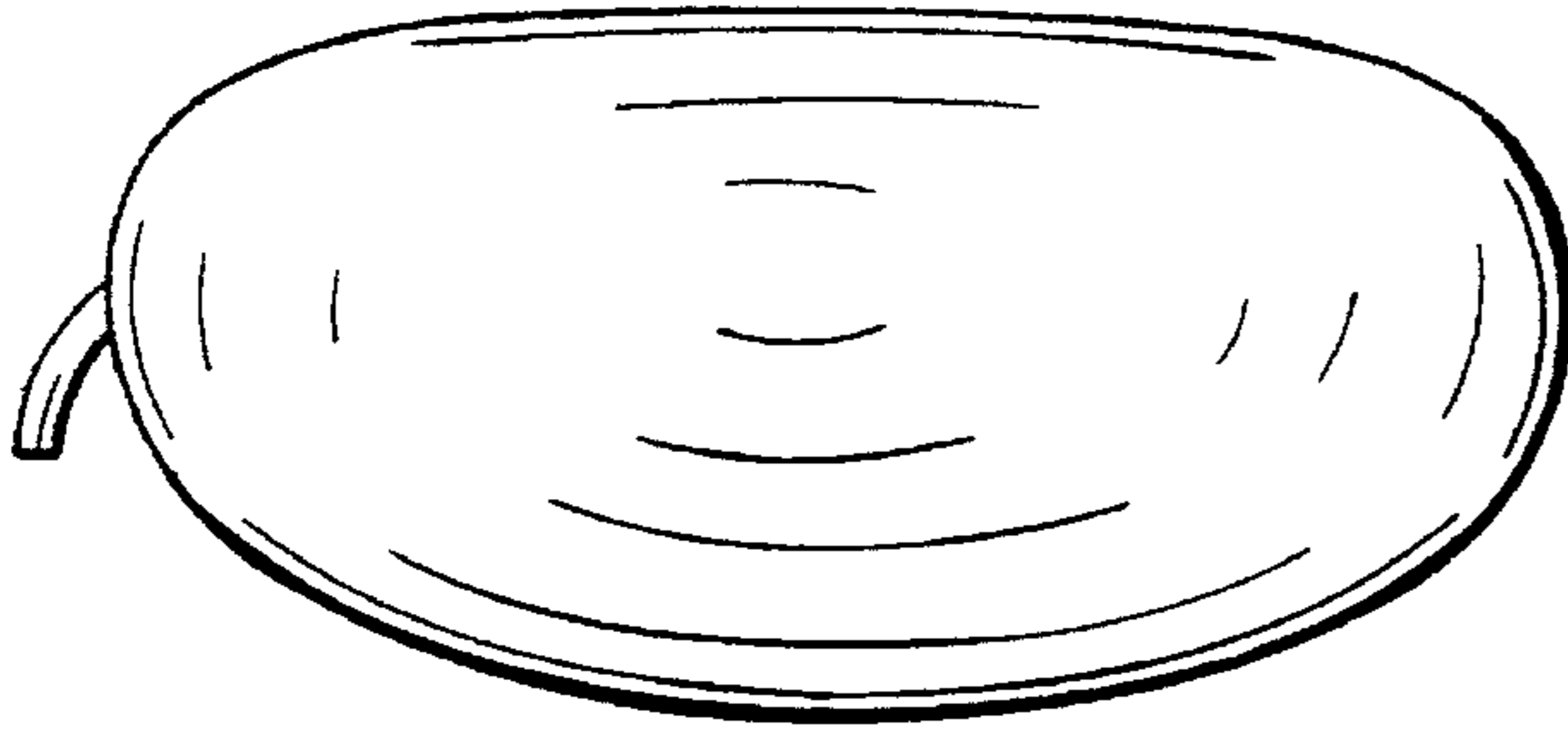


FIG.5

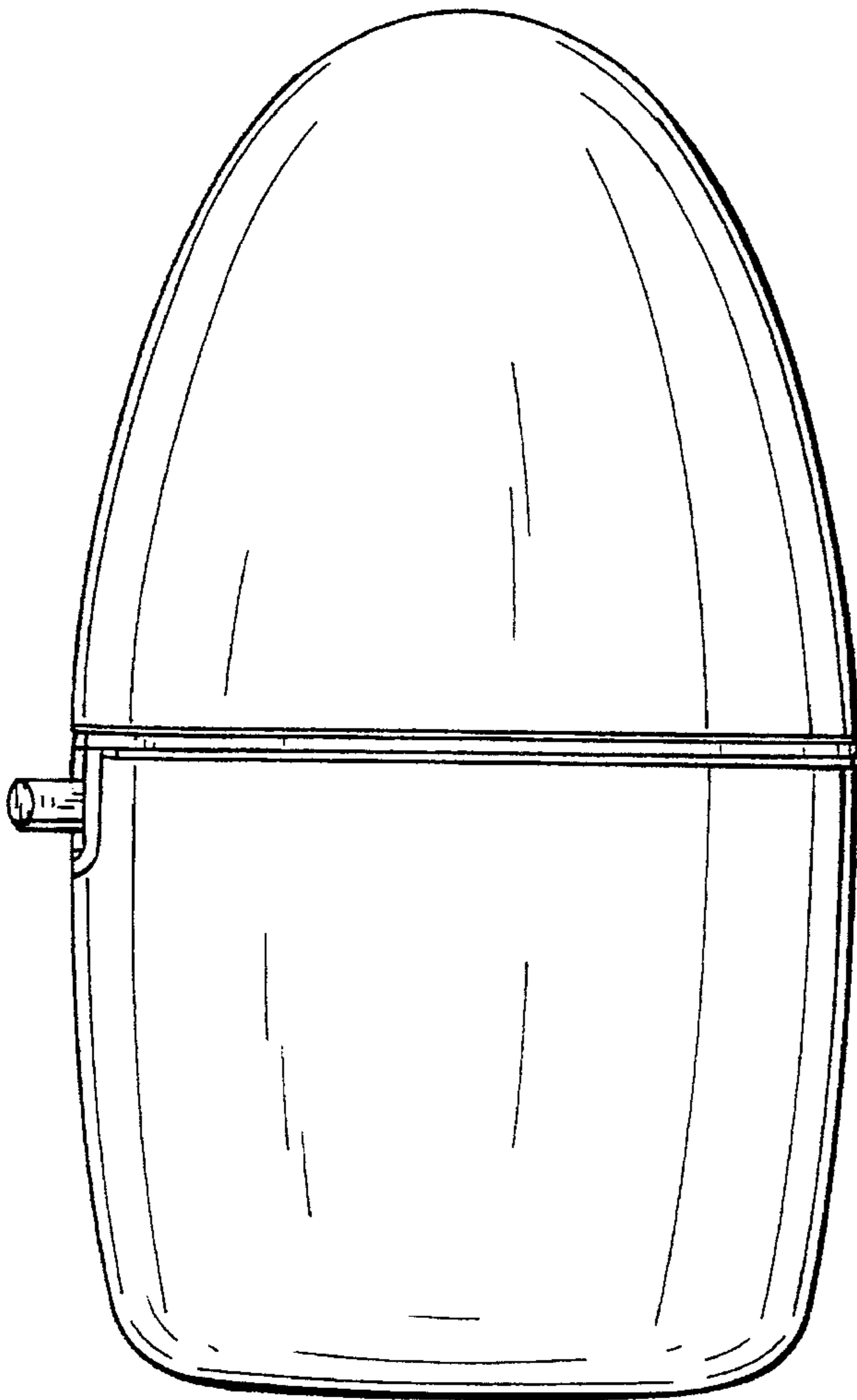
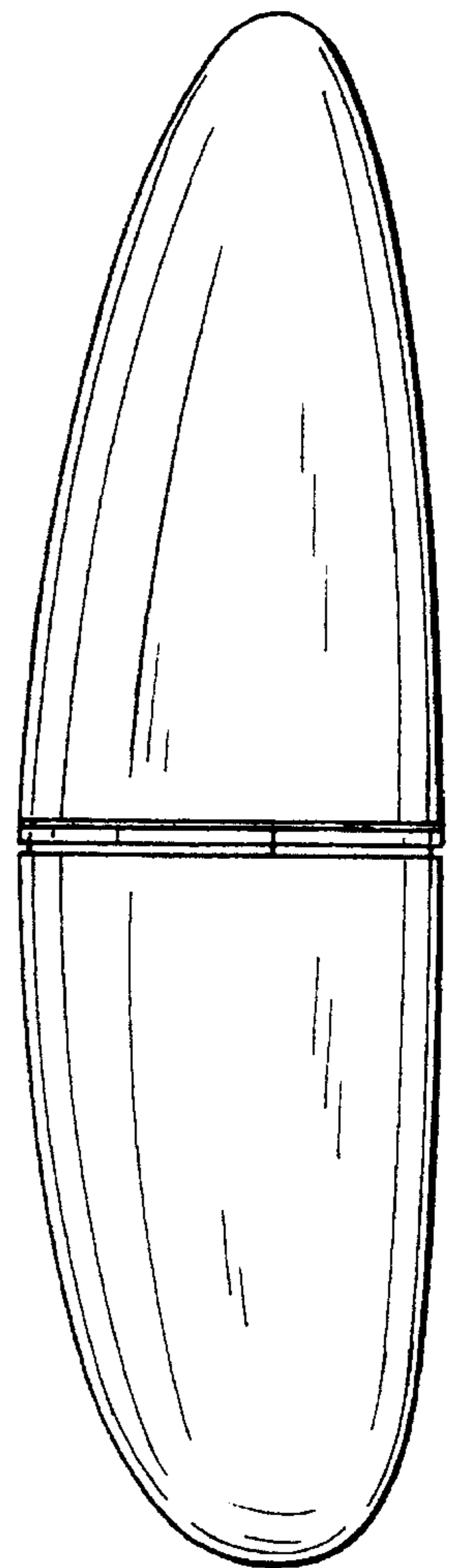


FIG.6



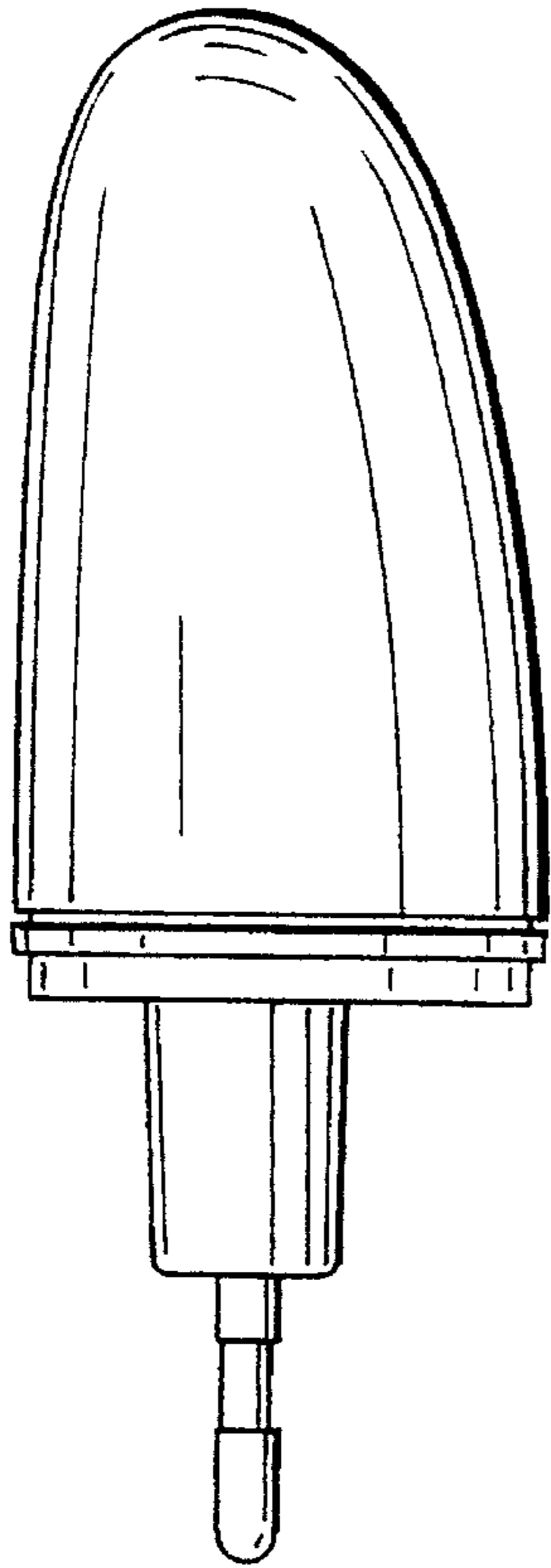


FIG. 9

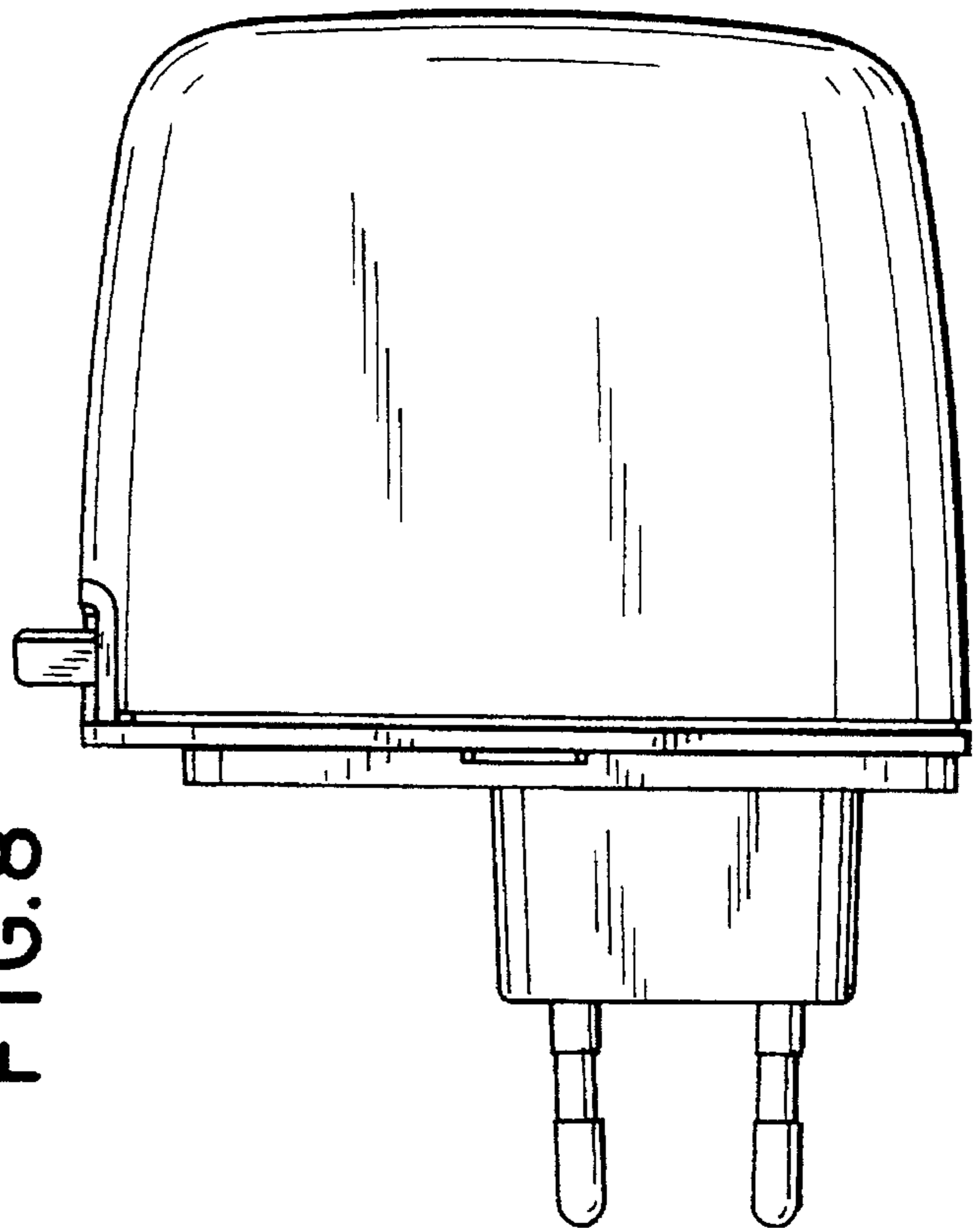
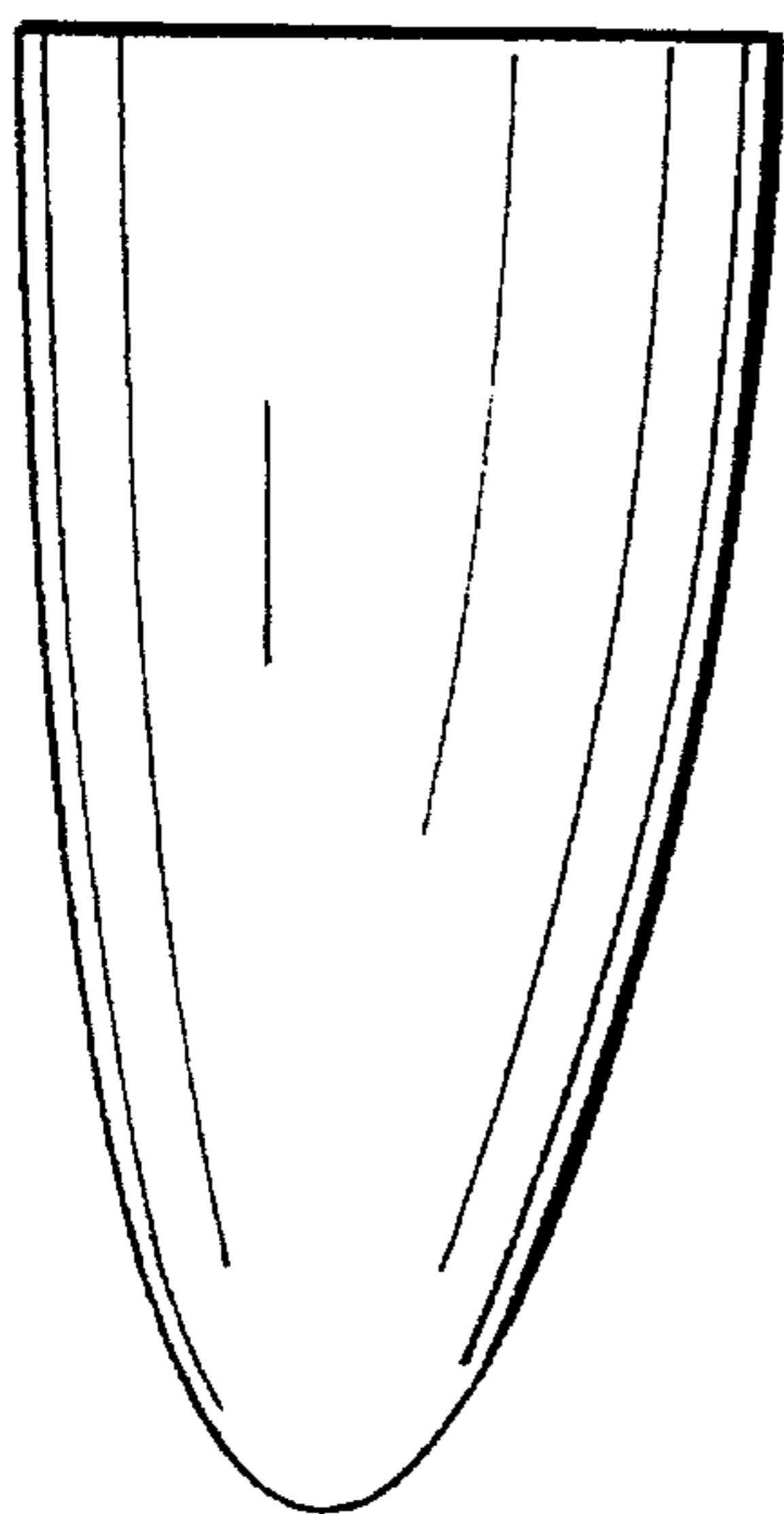


FIG. 8

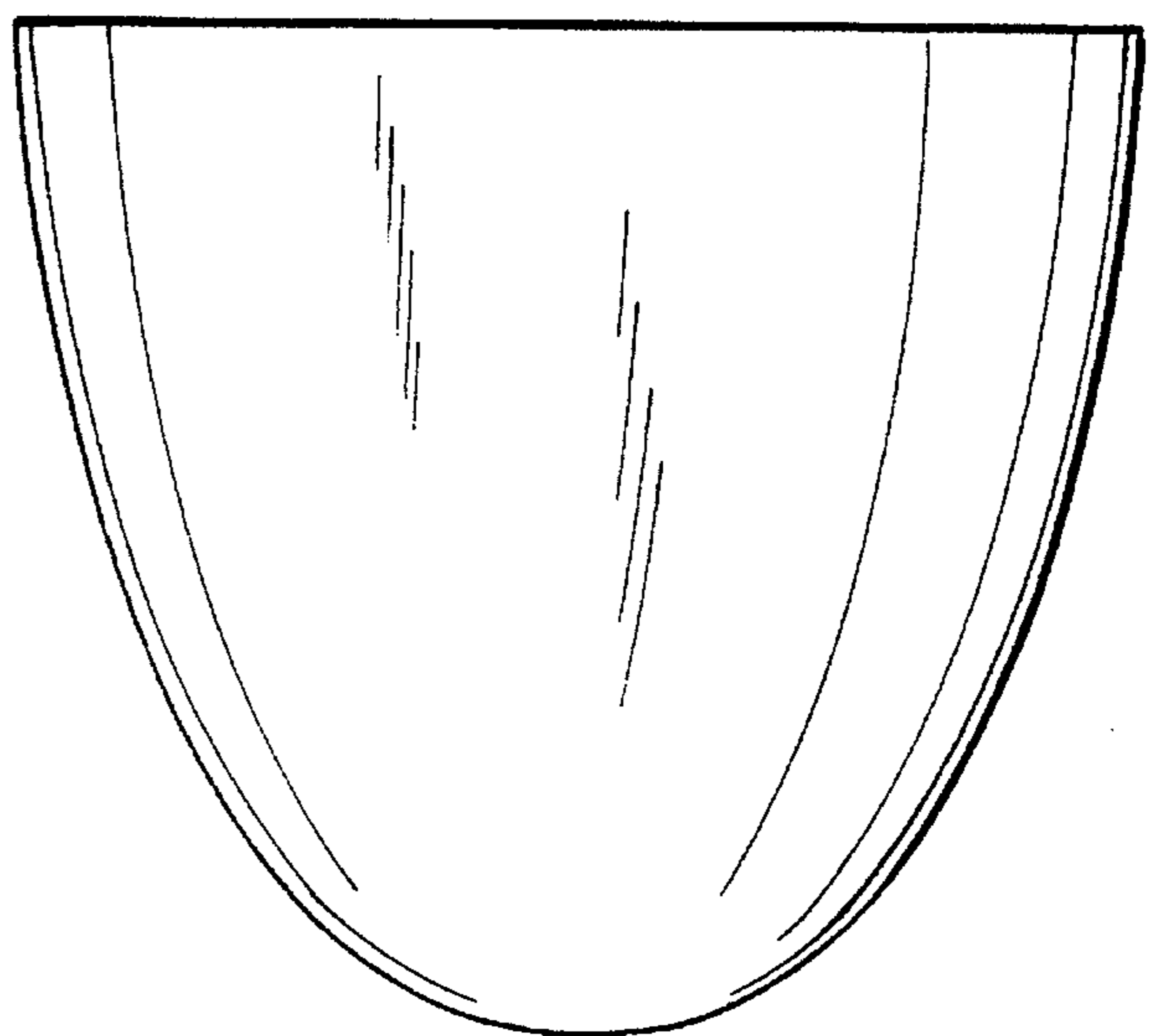


FIG. 10

