



US00D373991S

United States Patent [19]

Timms

[11] Patent Number: **Des. 373,991**

[45] Date of Patent: ****Sep. 24, 1996**

[54] **STORAGE CONTAINER FOR MOTORCYCLES**

D. 319,610 9/1991 Janke D12/401
D. 321,159 10/1991 Schlater D12/401

[76] Inventor: **Fred W. Timms**, 3095 Tig Knight Rd., Loganville, Ga. 30249

Primary Examiner—Melody N. Brown
Attorney, Agent, or Firm—James A. Hinkle

[**] Term: **14 Years**

[57] **CLAIM**

[21] Appl. No.: **22,540**

The ornamental design for a storage container for motorcycles, as shown.

[22] Filed: **May 6, 1994**

DESCRIPTION

[52] U.S. Cl. **D12/424**

[58] Field of Search D12/424, 423, D12/401, 415, 114, 110; 280/288.4, 304.3; 180/219; 296/24.1, 37.1, 37.6; 224/42.11, 42.42, 273, 275, 309, 311, 327, 329

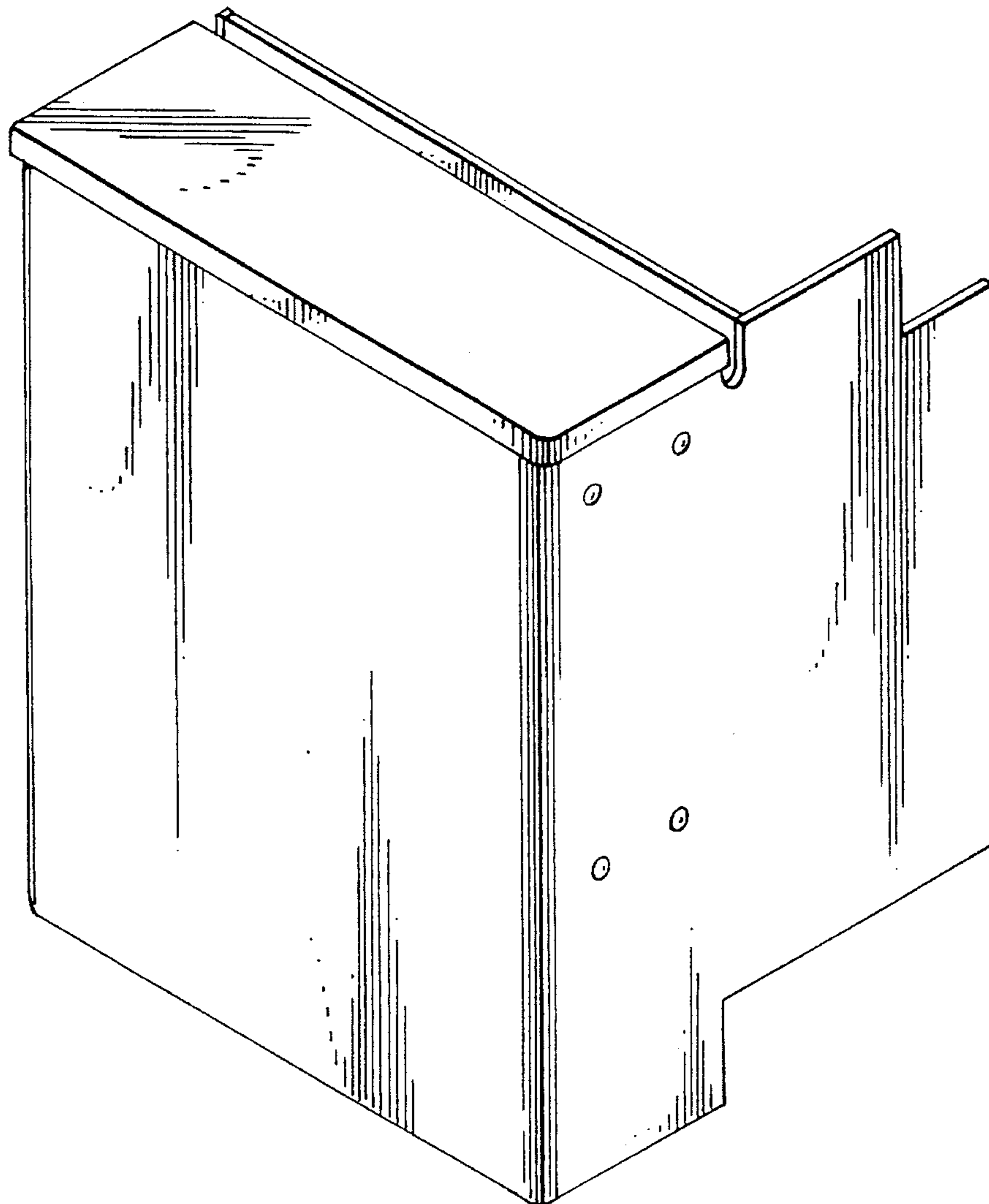
FIG. 1 is a perspective view of my new design for a storage container for motorcycles;
FIG. 2 is a top view thereof;
FIG. 3 is a front elevation view thereof;
FIG. 4 is a right side elevation view thereof;
FIG. 5 is a left side elevation view thereof;
FIG. 6 is a bottom view thereof;
FIG. 7 is a rear view thereof; and,
FIG. 8 is a rear perspective view thereof.

[56] **References Cited**

U.S. PATENT DOCUMENTS

D. 257,968 1/1981 Rice D12/124
D. 309,978 8/1990 Flatharty 12/124
D. 312,604 12/1990 Barret et al. D12/124

1 Claim, 5 Drawing Sheets



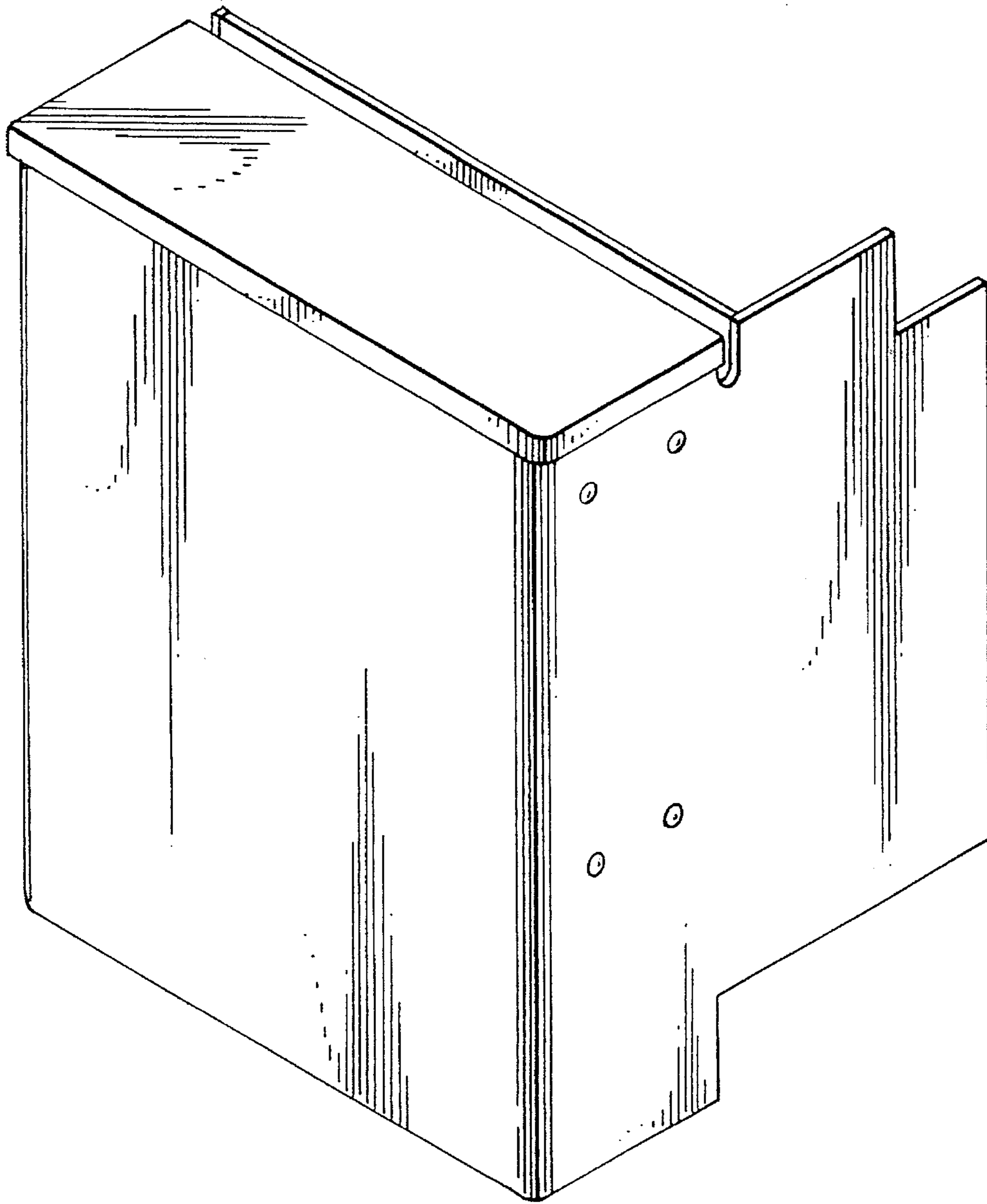


Fig. 1

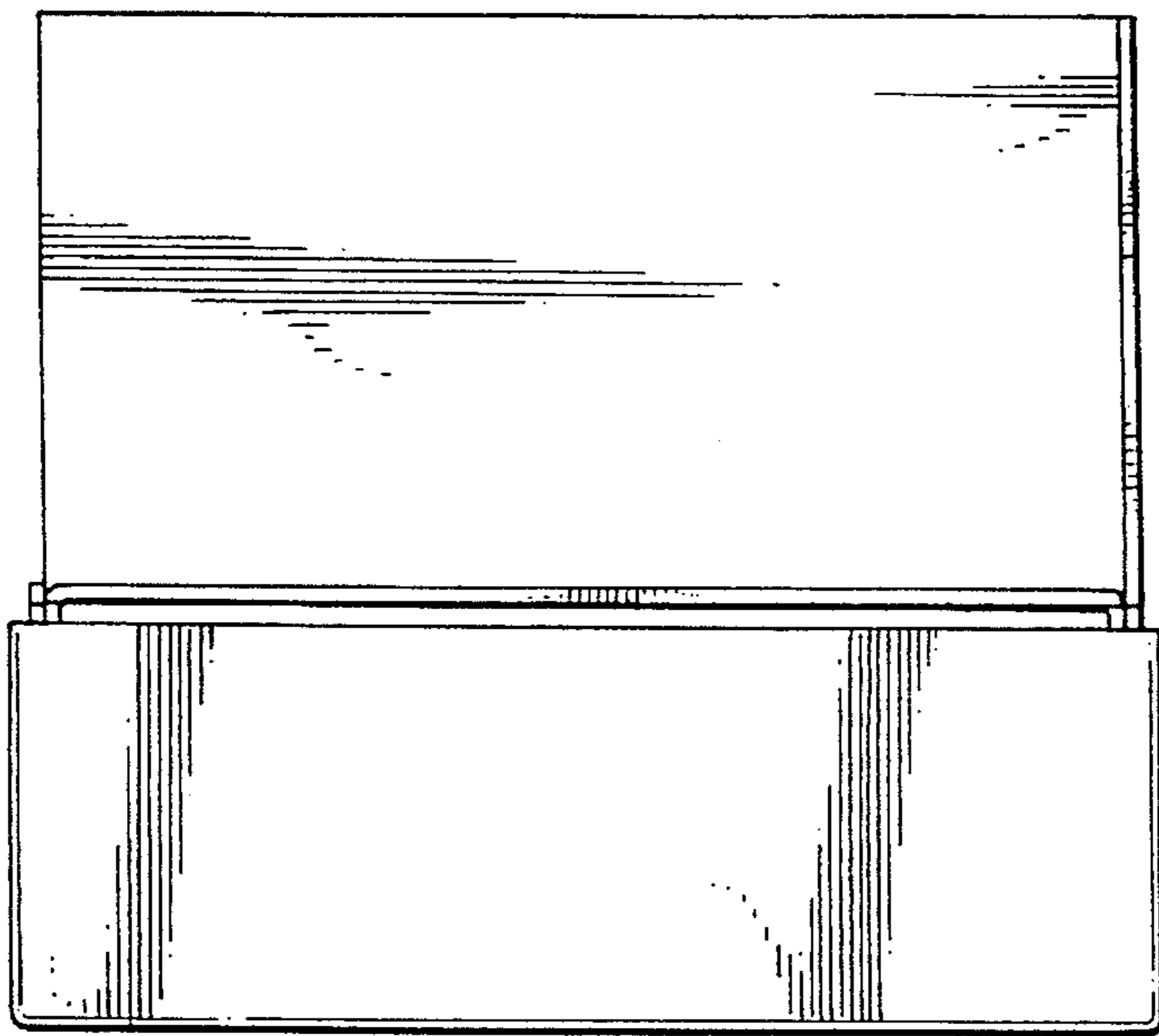


Fig. 2

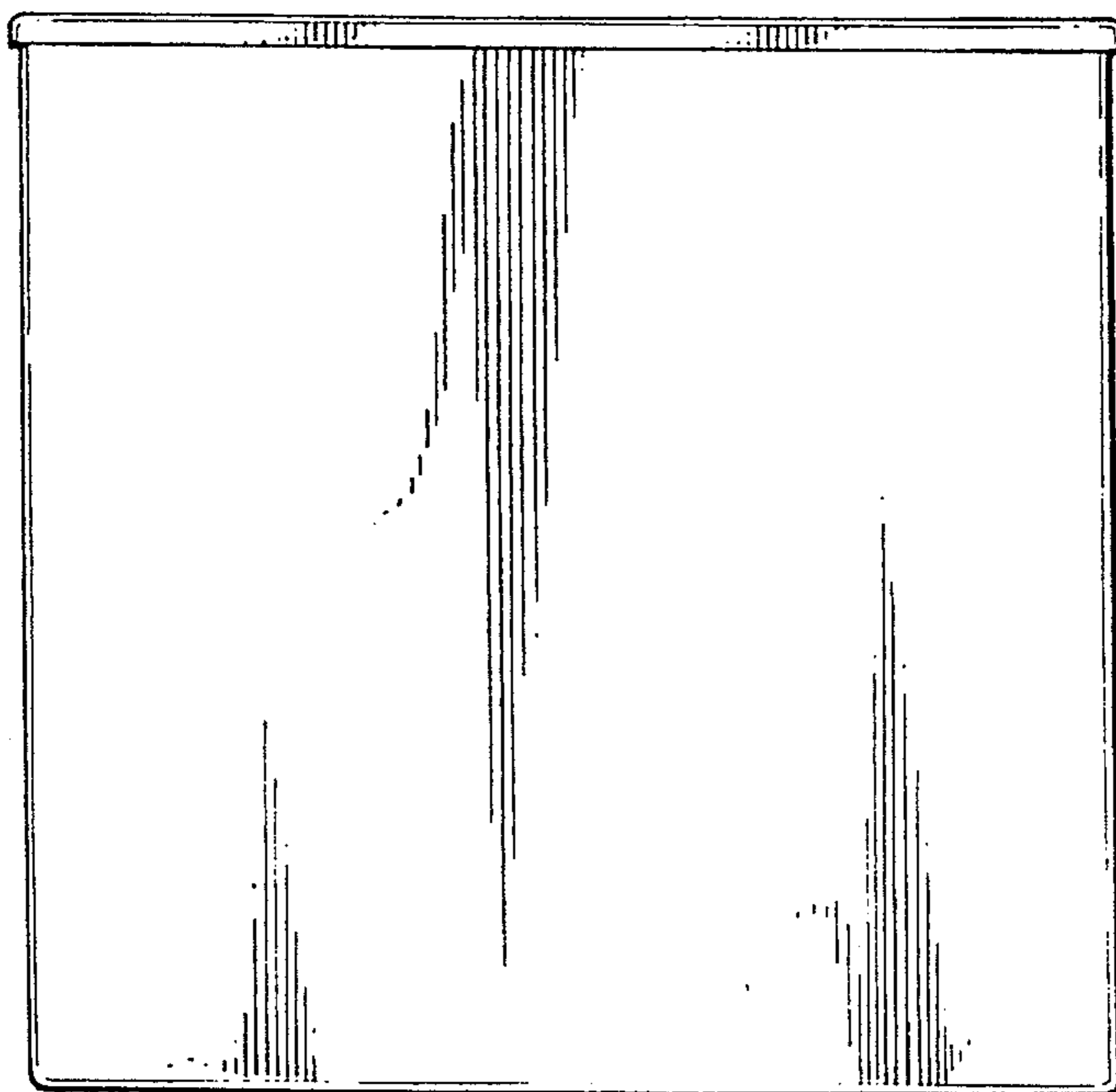


Fig. 3

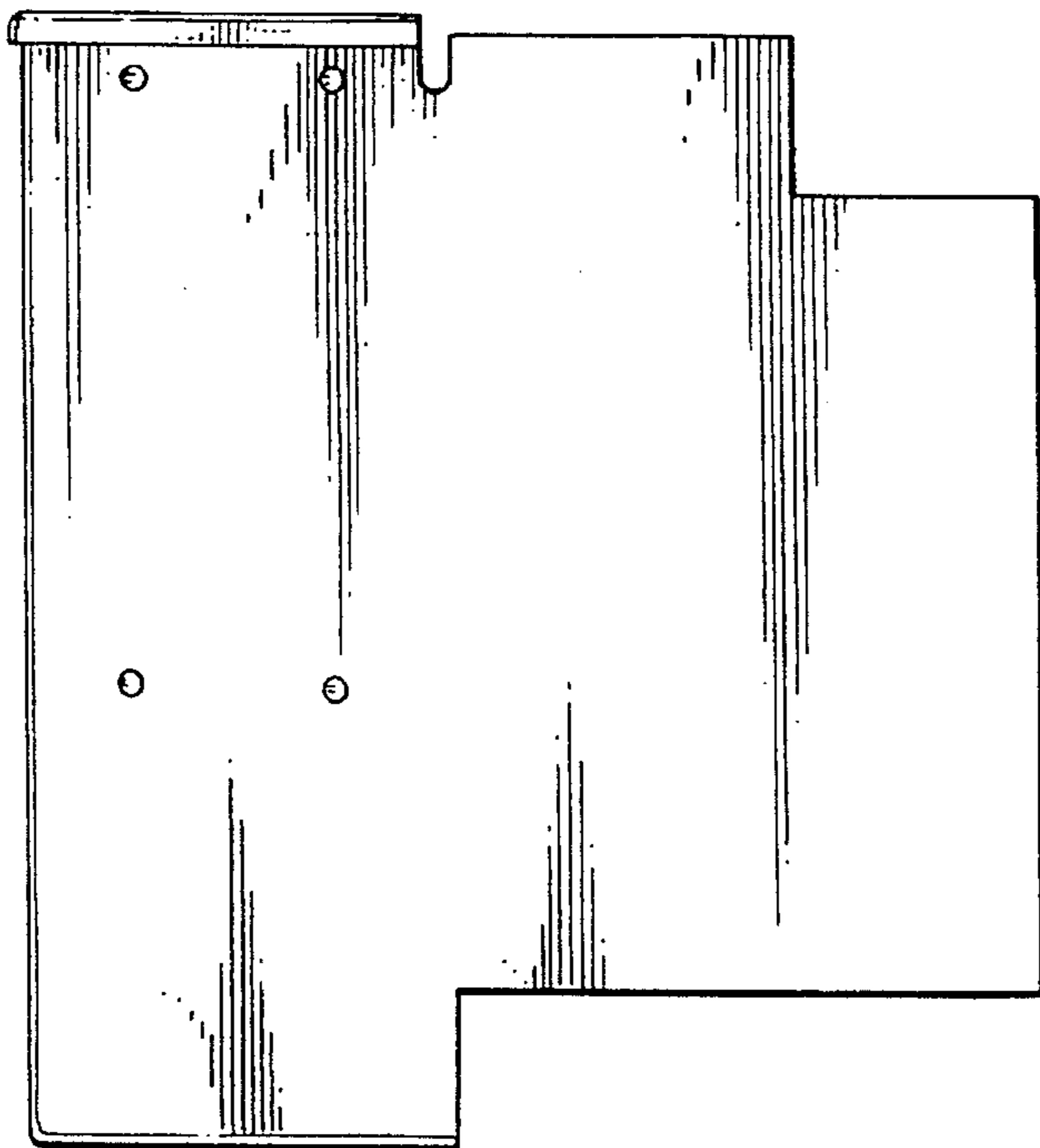


Fig. 4

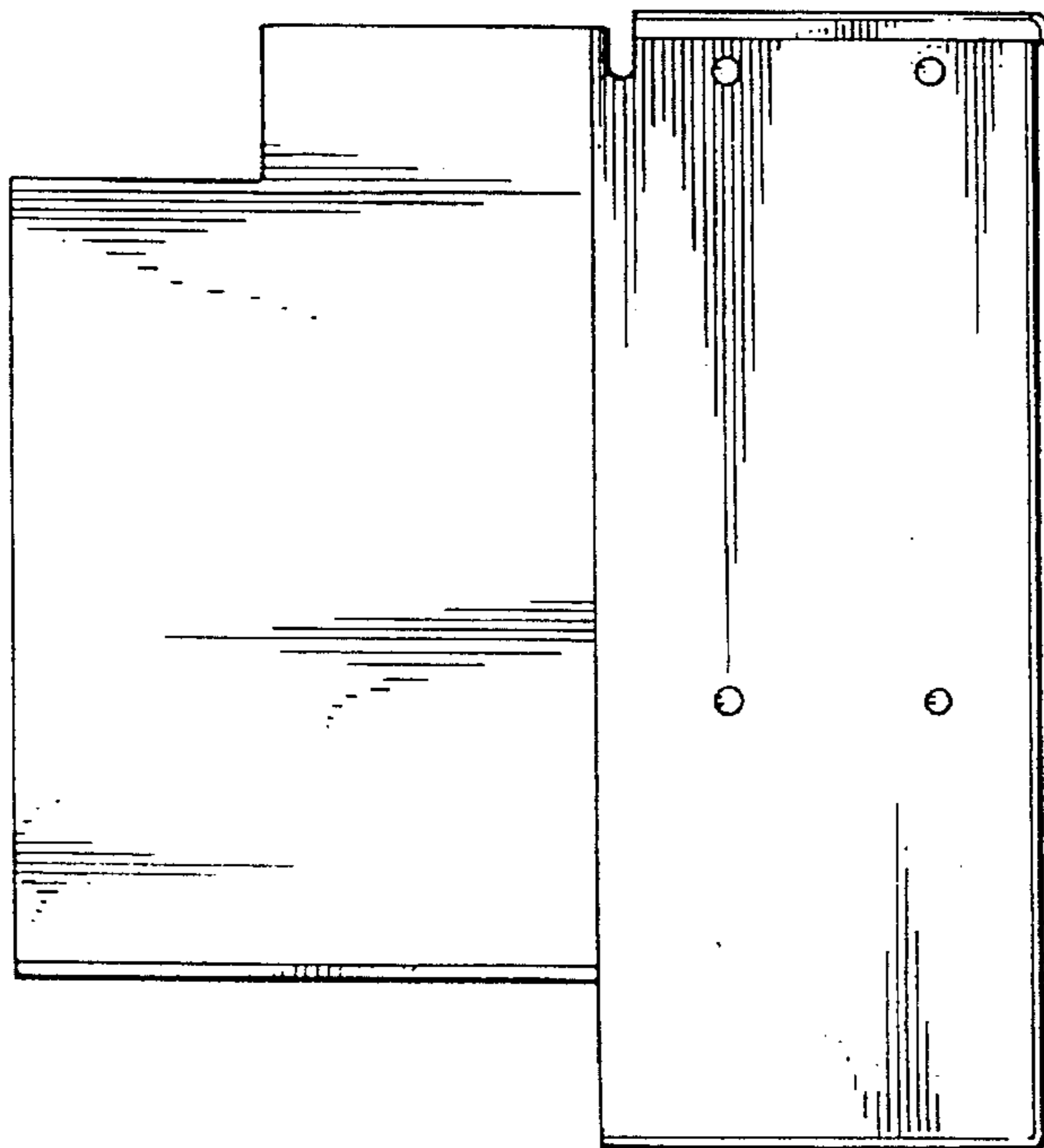


Fig. 5

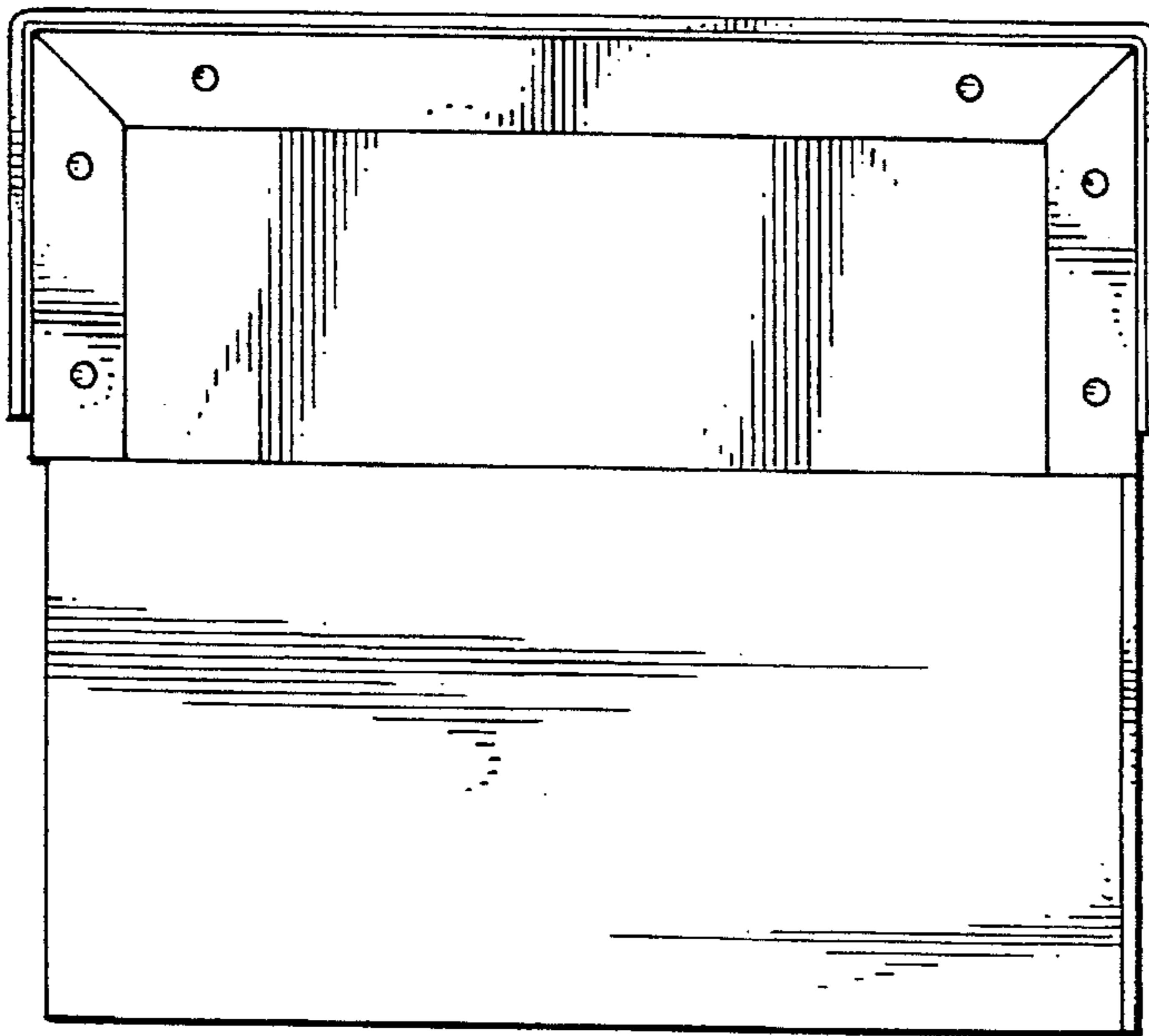


Fig. 6

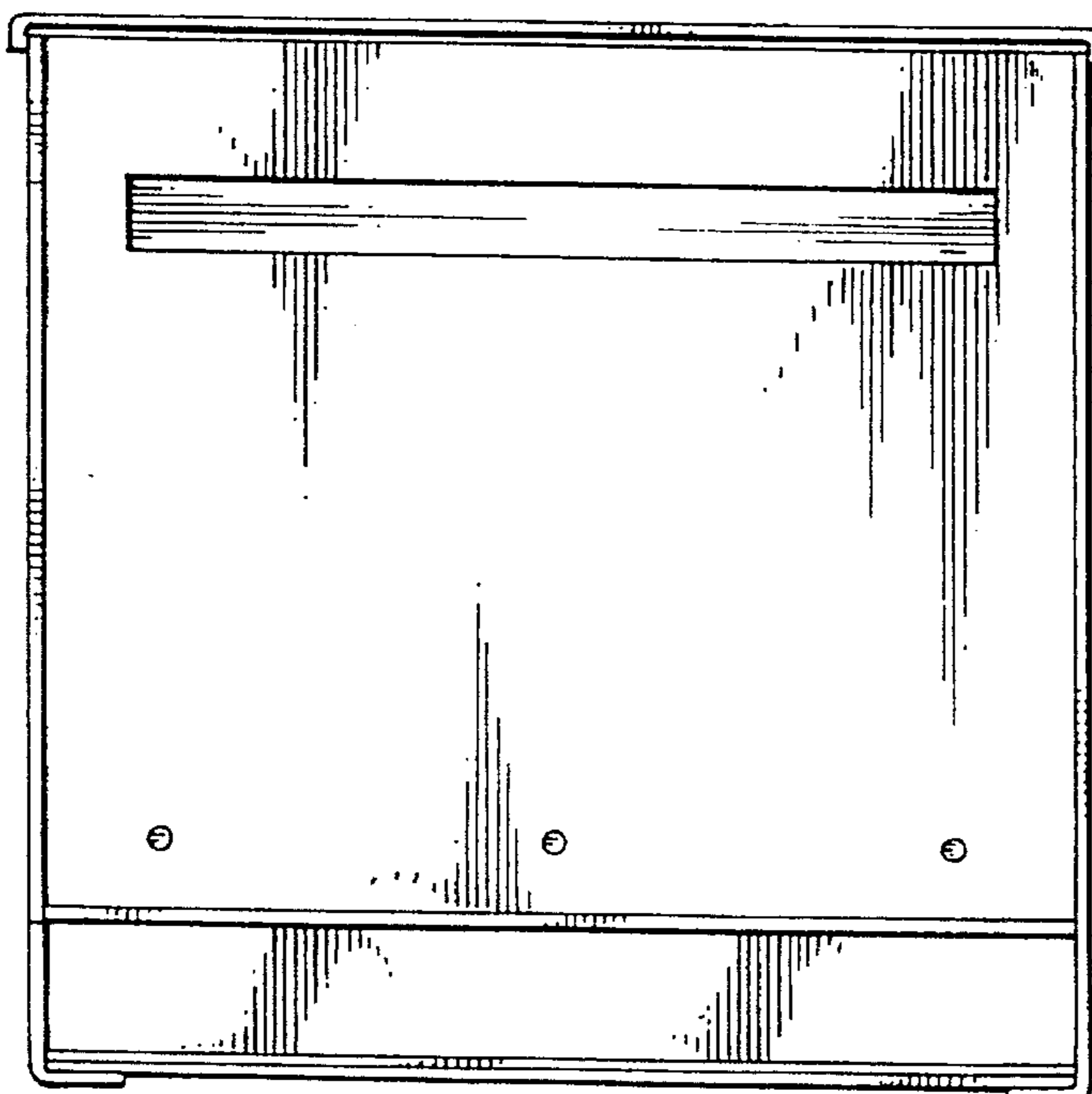


Fig. 7

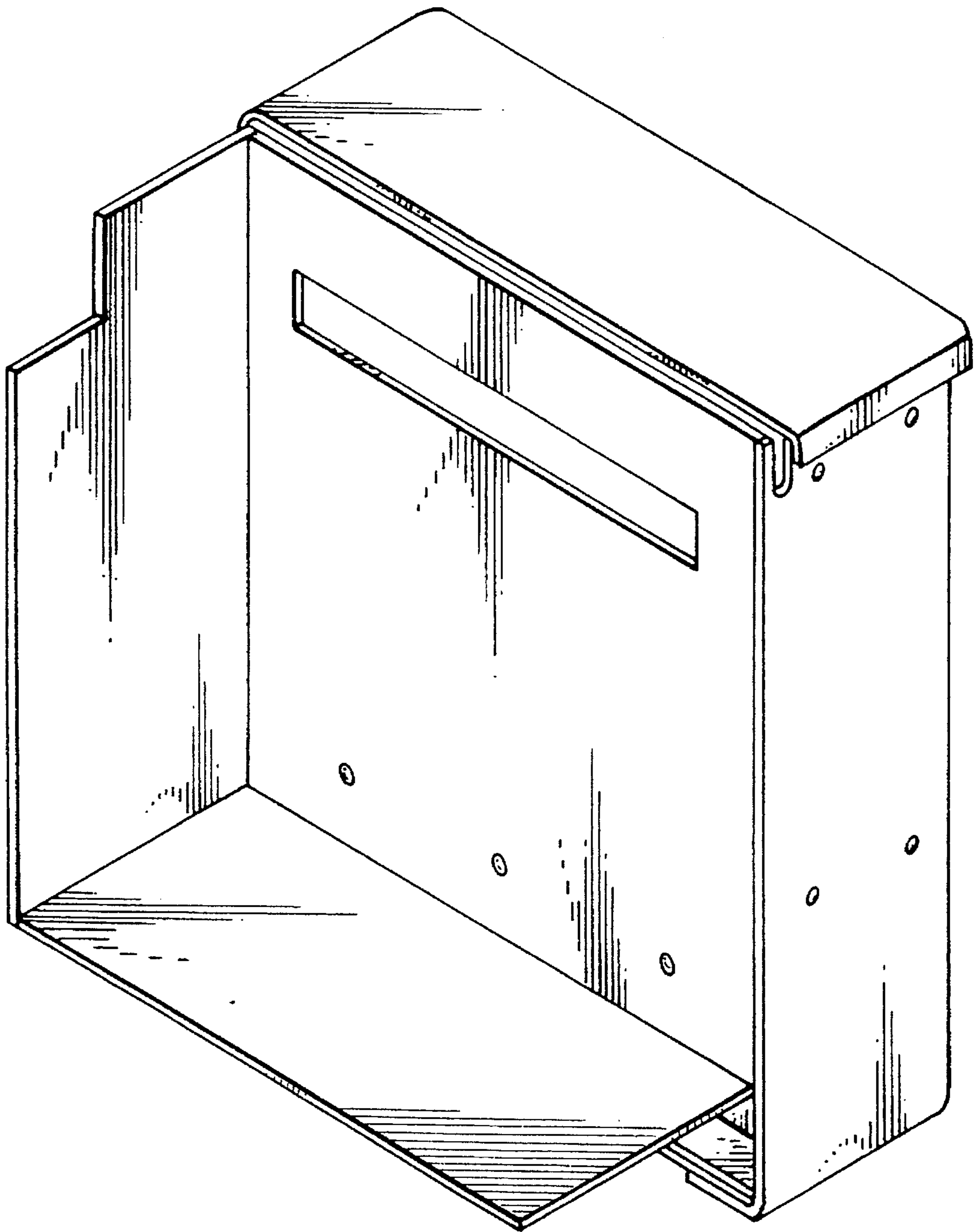


Fig. 8