



US00D373988S

United States Patent [19]
Johnson

[11] **Patent Number:** **Des. 373,988**
[45] **Date of Patent:** ****Sep. 24, 1996**

[54] **UTILITY BODY**

Attorney, Agent, or Firm—Joel D. Skinner, Jr.

[76] **Inventor:** **Lynn M. Johnson**, 2921 Schabacker #4, Menomonie, Wis. 54751

[57] **CLAIM**

[**] **Term:** **14 Years**

The ornamental design for a utility body, as shown and described.

[21] **Appl. No.:** **21,460**

DESCRIPTION

[22] **Filed:** **Apr. 18, 1994**

FIG. 1 is a perspective view of a utility body showing of my new design;

[52] **U.S. Cl.** **D12/423**

FIG. 2 is a rear end view thereof;

[58] **Field of Search** D12/406, 423,
D12/98; 296/24.1, 37.1, 37.6; 224/540,
404, 541, 543

FIG. 3 is a top view thereof;

FIG. 4 is a front view thereof;

FIG. 5 is a crosssectional view thereof;

FIG. 6 is a side view thereof; and,

[56] **References Cited**

U.S. PATENT DOCUMENTS

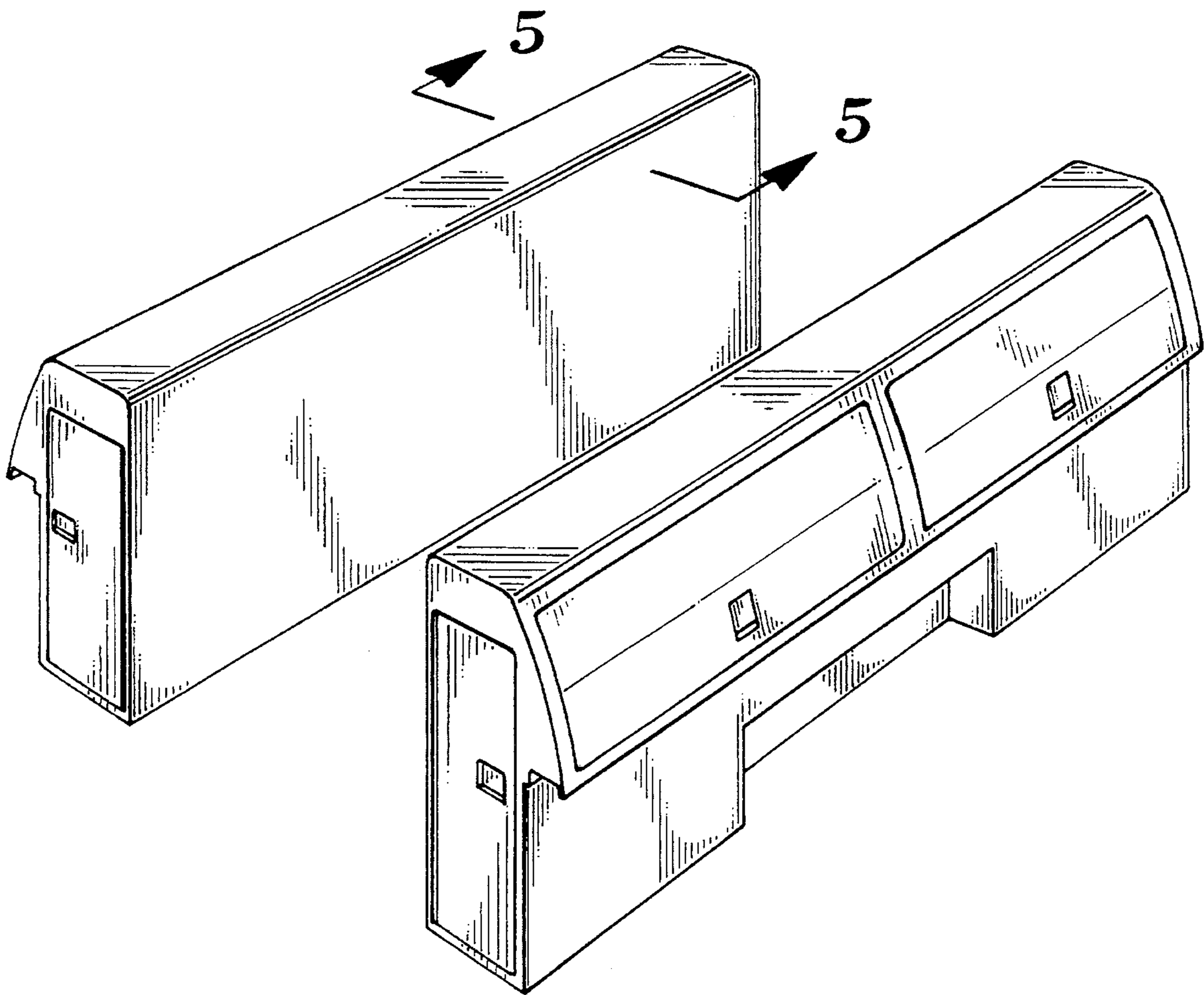
FIG. 7 is a crosssectional view of a utility body showing a second alternative embodiment of my design.

D. 352,697	11/1994	Johnson	D12/406
2,978,153	4/1961	Bundle	296/24.1
3,068,038	12/1962	Douglass, Jr.	296/24.1
4,789,195	12/1988	Fletcher	296/37.1

The side, perspective, rear end, top and front views of the second embodiment shown in FIG. 7 are the same as those shown in FIG. 1-6 respectively.

Primary Examiner—Melody N. Brown

1 Claim, 3 Drawing Sheets



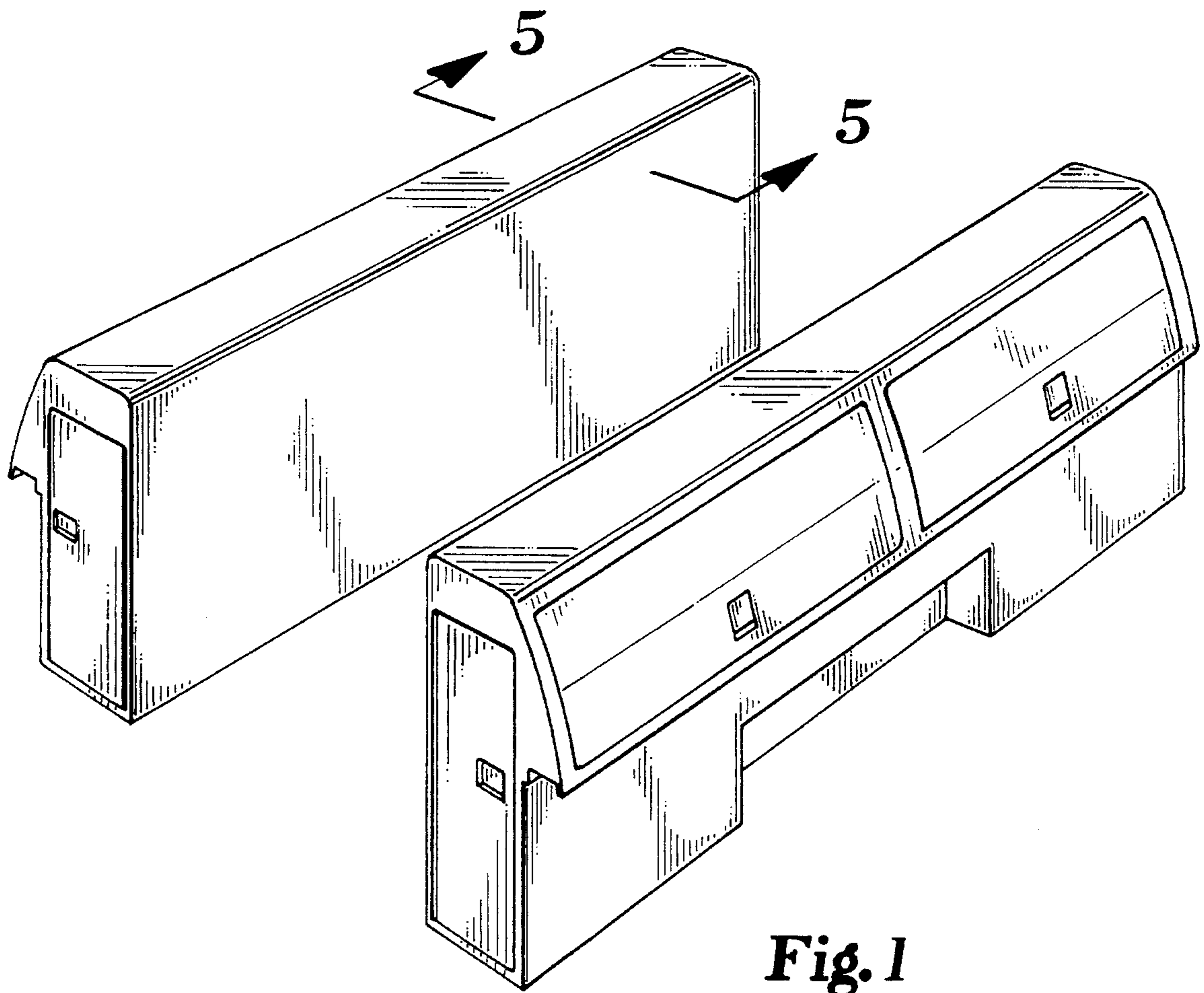


Fig. 1

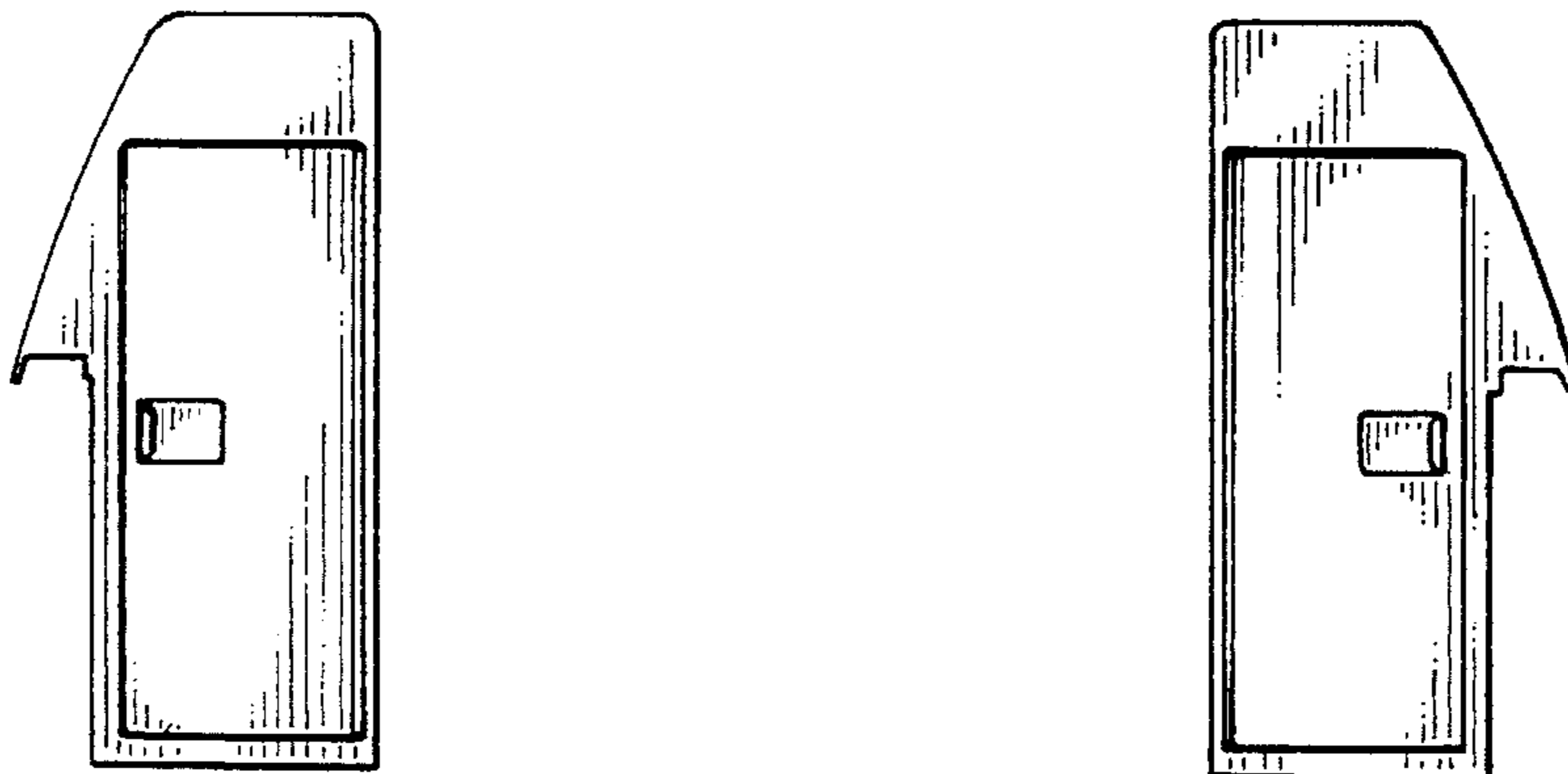


Fig. 2

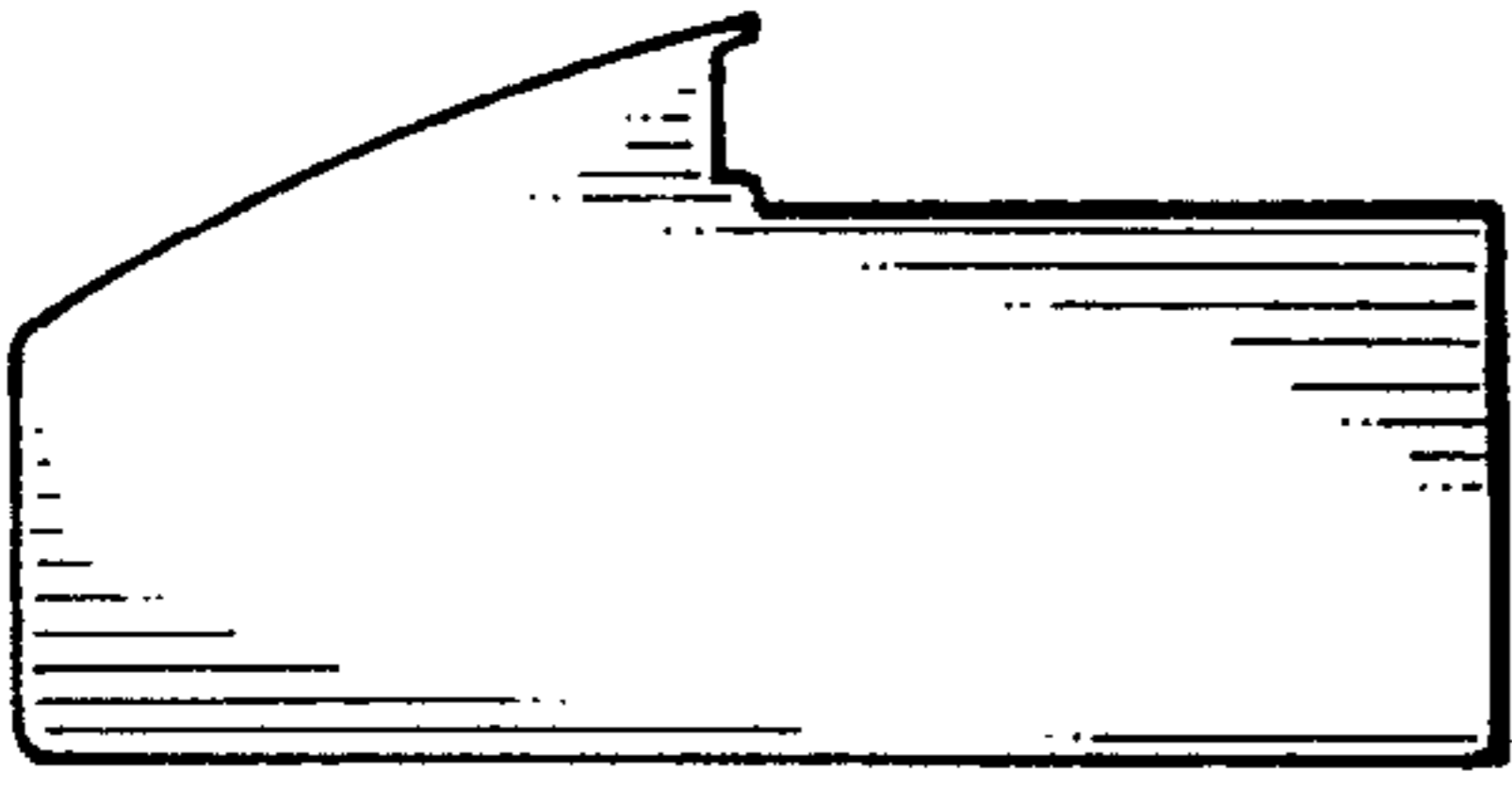


Fig. 4

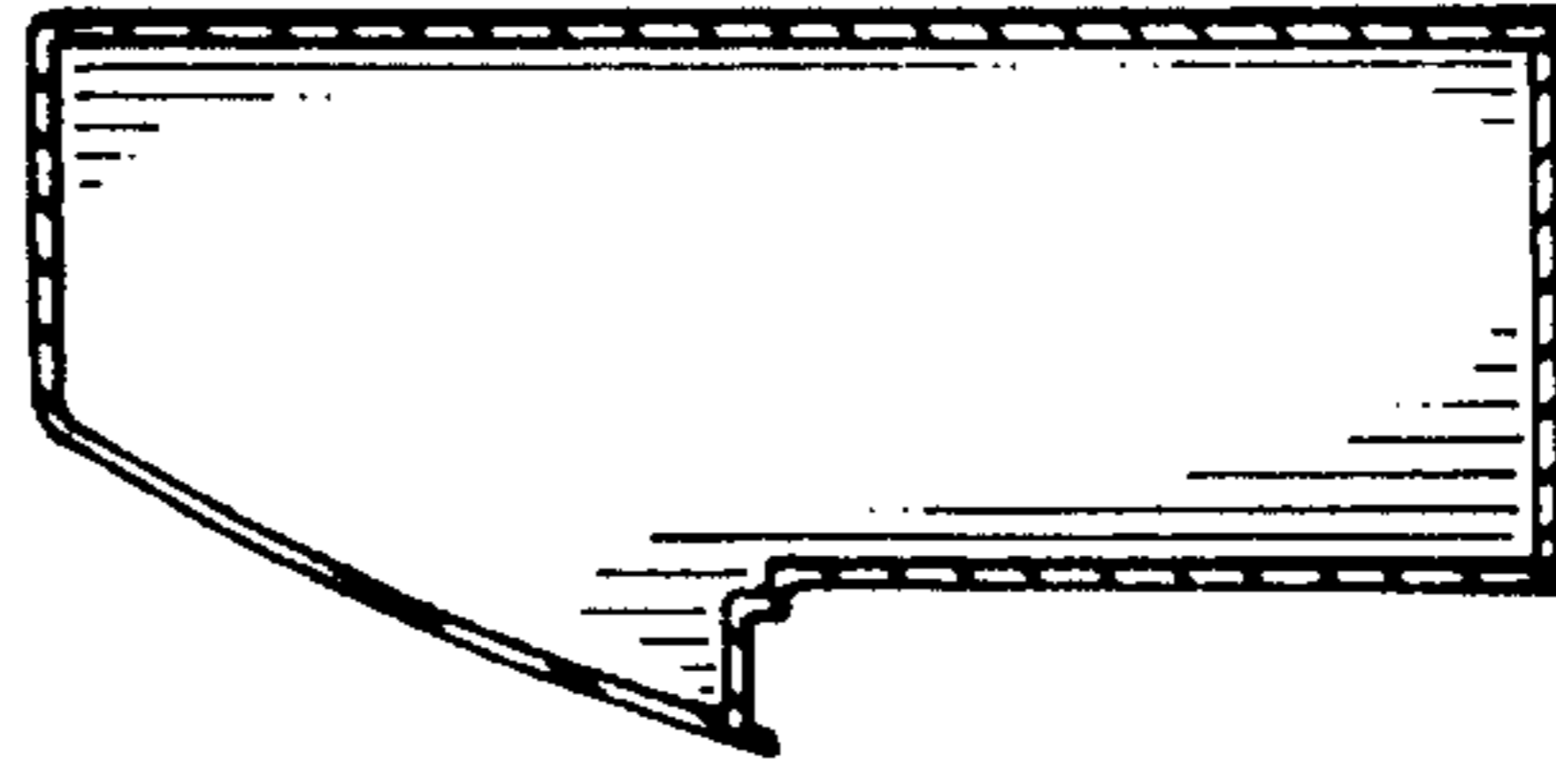


Fig. 7

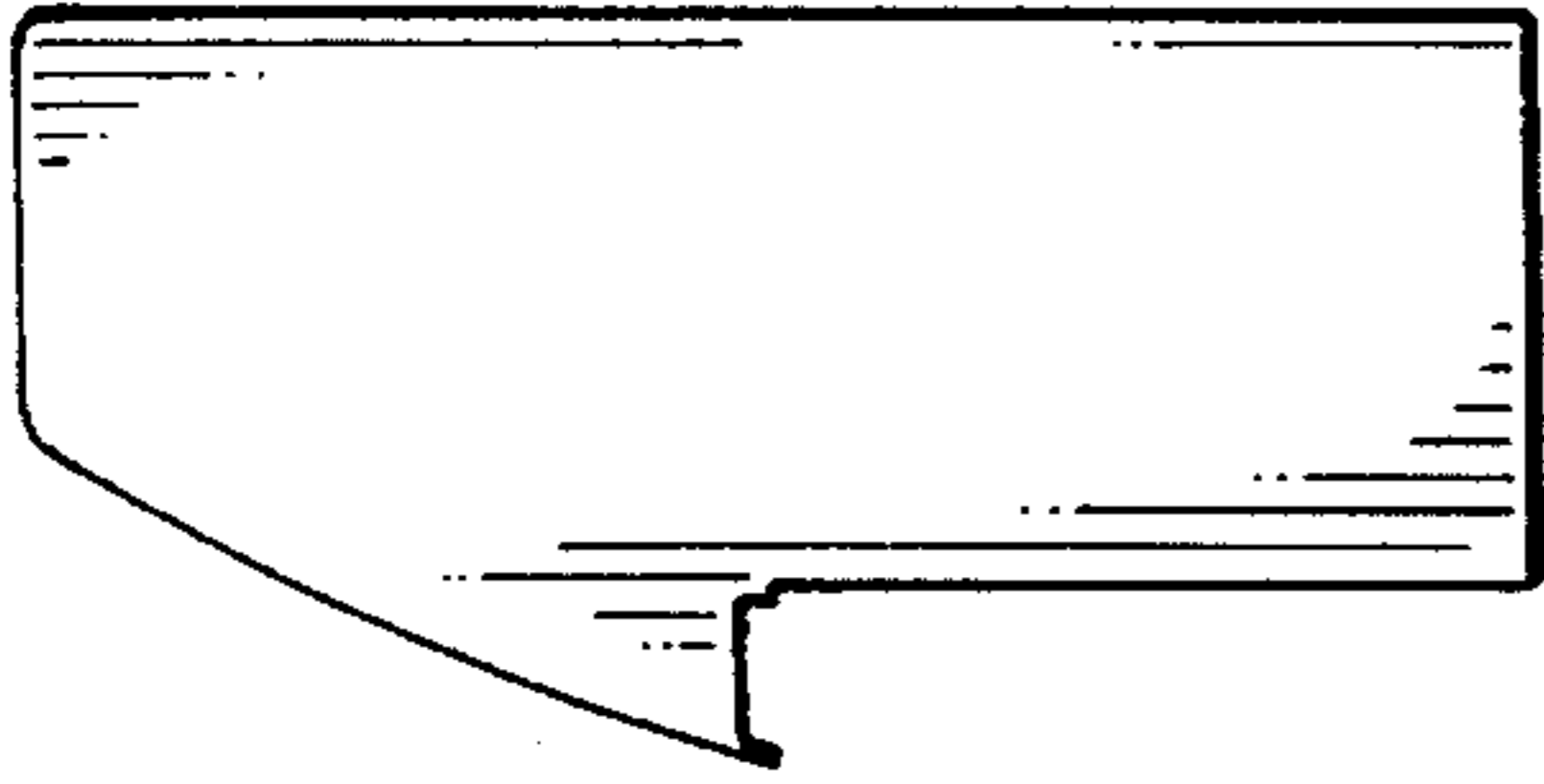


Fig. 5

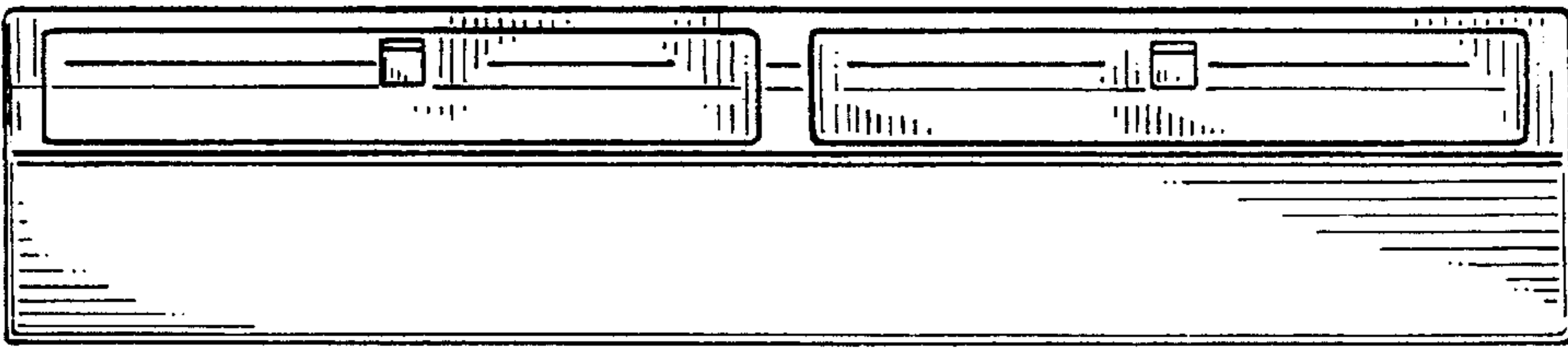
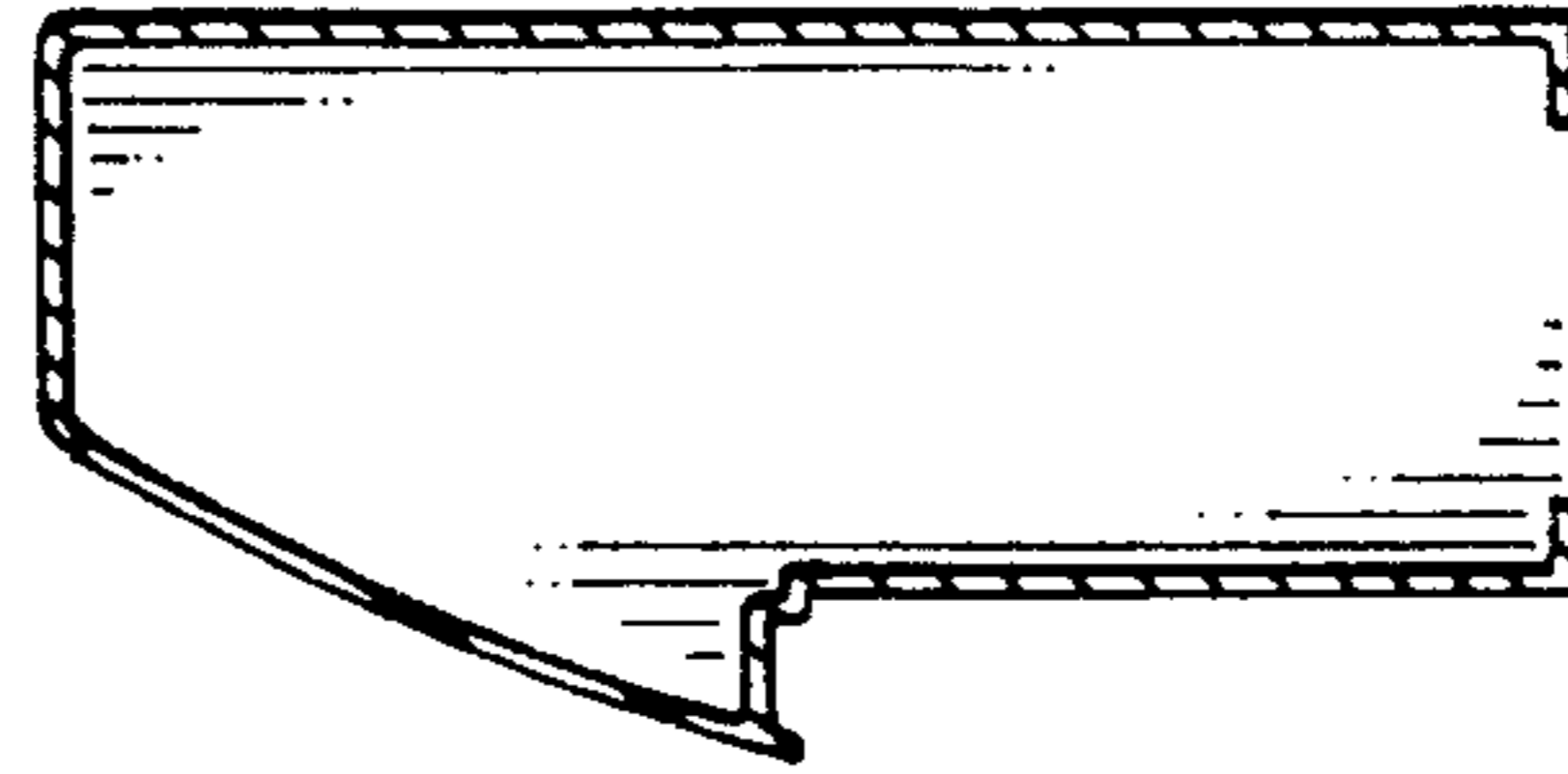
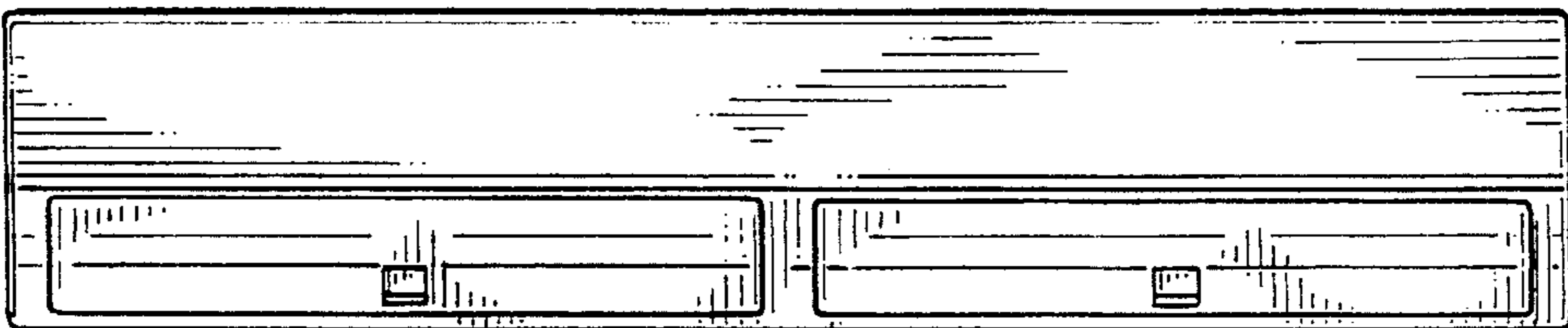


Fig. 3



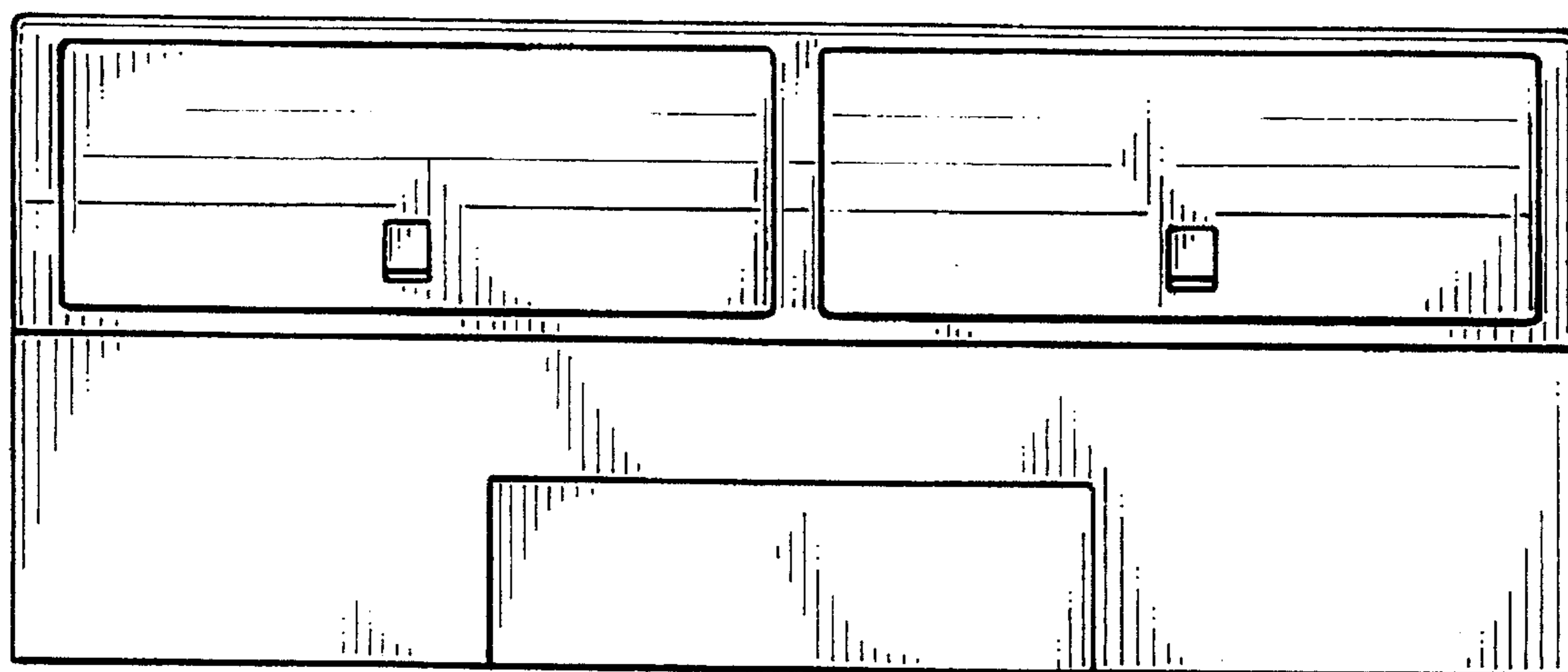


Fig. 6