



US00D373986S

United States Patent [19]

Hamilton

[11] Patent Number: **Des. 373,986**

[45] Date of Patent: ****Sep. 24, 1996**

[54] **INTERIOR CARGO COVER FOR MOTOR VEHICLES**

D. 335,849 5/1993 Hamilton D12/401

[75] Inventor: **Thomas F. Hamilton**, 1634 Ixias Ct., San Jose, Calif. 95124

Primary Examiner—Melody M. Brown

[73] Assignee: **Thomas F. Hamilton**, San Jose, Calif.

[57] CLAIM

[**] Term: **14 Years**

The ornamental design for an interior cargo cover for motor vehicles, as shown and described.

[21] Appl. No.: **44,204**

DESCRIPTION

[22] Filed: **Sep. 20, 1995**

[52] U.S. Cl. **D12/401**

[58] Field of Search D12/401, 400;
296/39.1-39.3, 100; 280/770

FIG. 1 is a perspective view of an interior cargo cover for motor vehicles showing my new design;
FIG. 2 is a front elevational view thereof;
FIG. 3 is a left side elevational view thereof and the right side is a mirror image of the left side;
FIG. 4 is a top plan view thereof;
FIG. 5 is a back elevational view thereof; and,
FIG. 6 is a bottom plan view thereof.

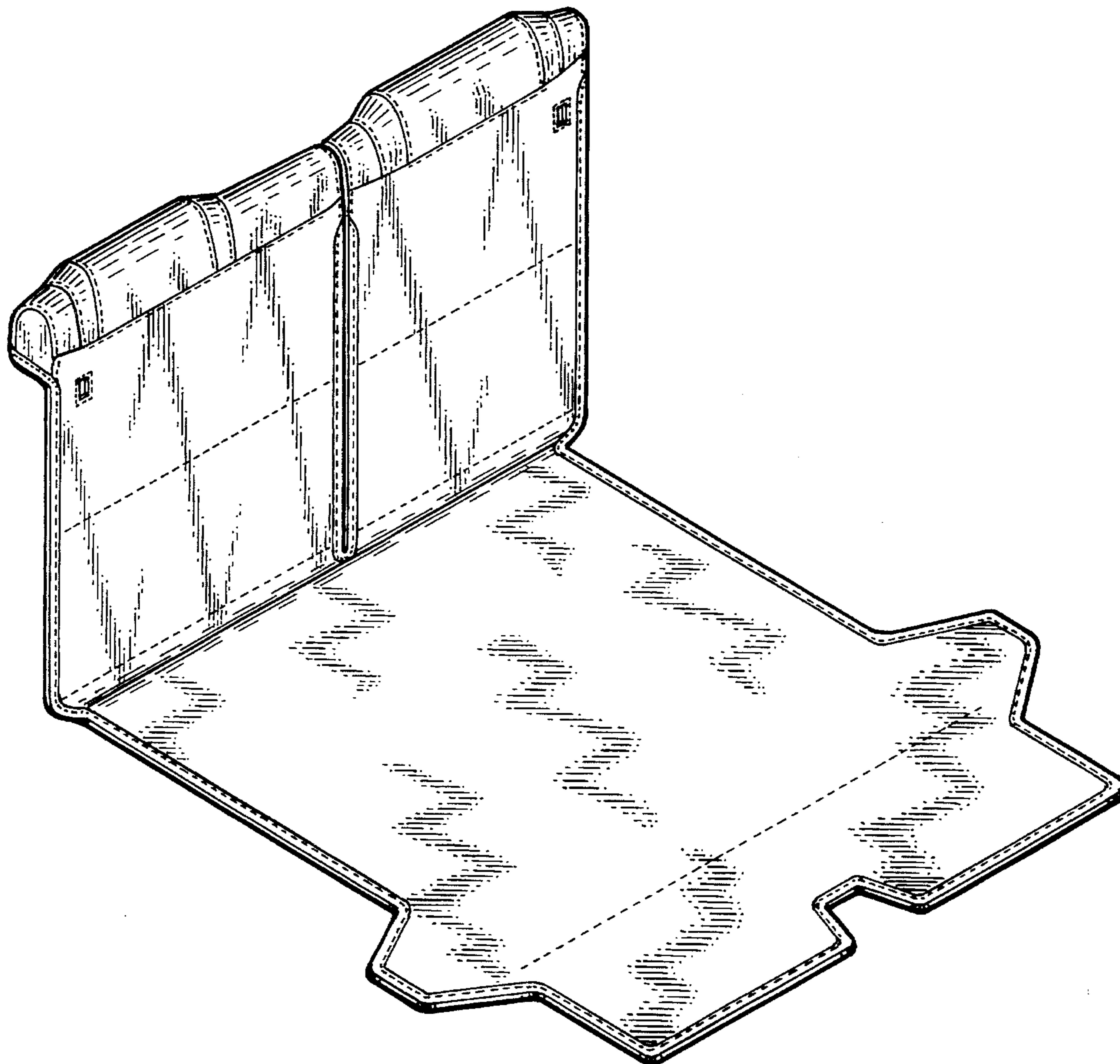
[56] References Cited

U.S. PATENT DOCUMENTS

- D. 298,817 12/1988 Hamilton D12/401
- D. 314,171 1/1991 Hamilton D12/401
- D. 333,117 2/1993 Hamilton D12/401

The broken lines in the drawings are understood to represent stitching.

1 Claim, 2 Drawing Sheets



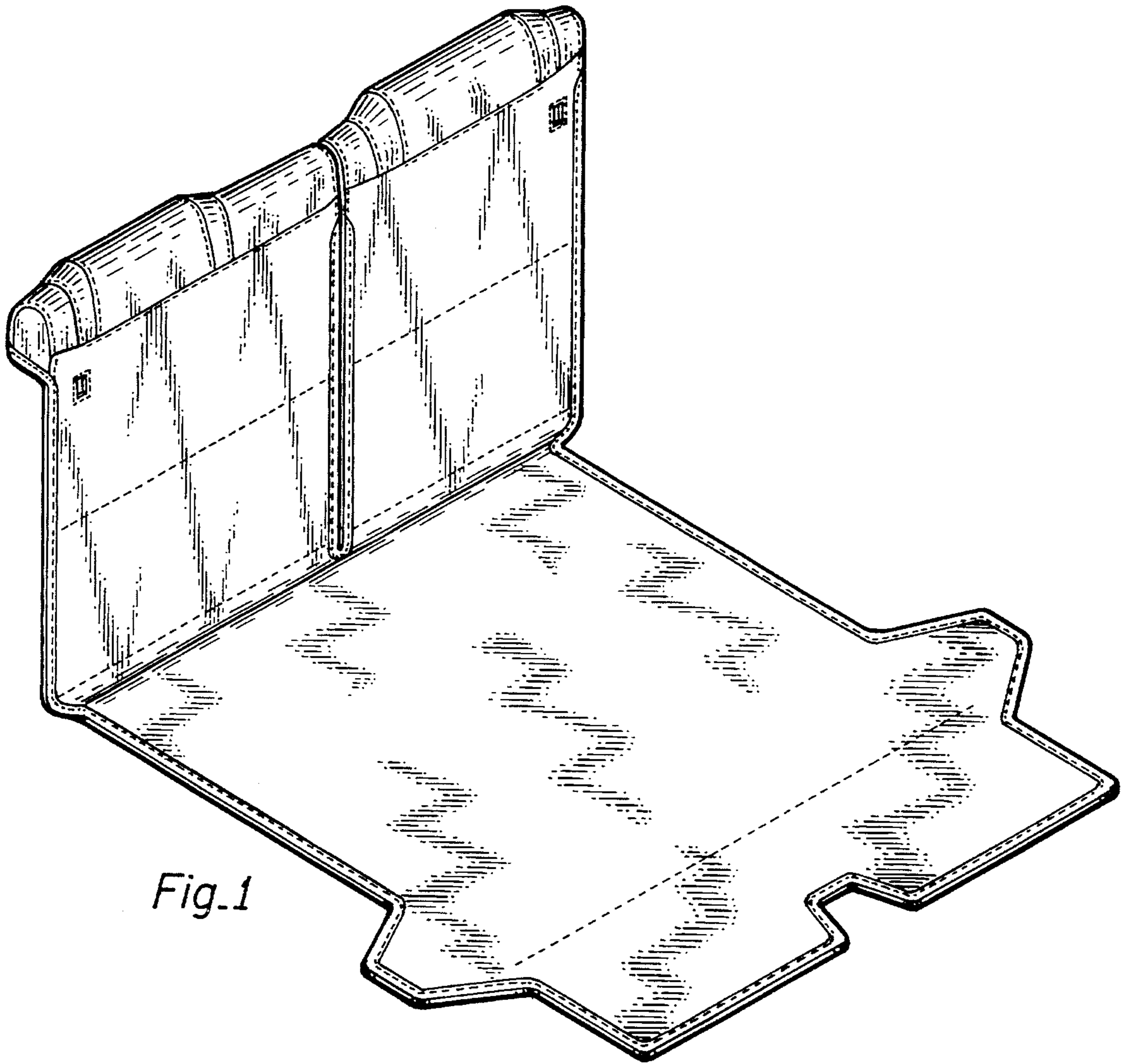


Fig. 1

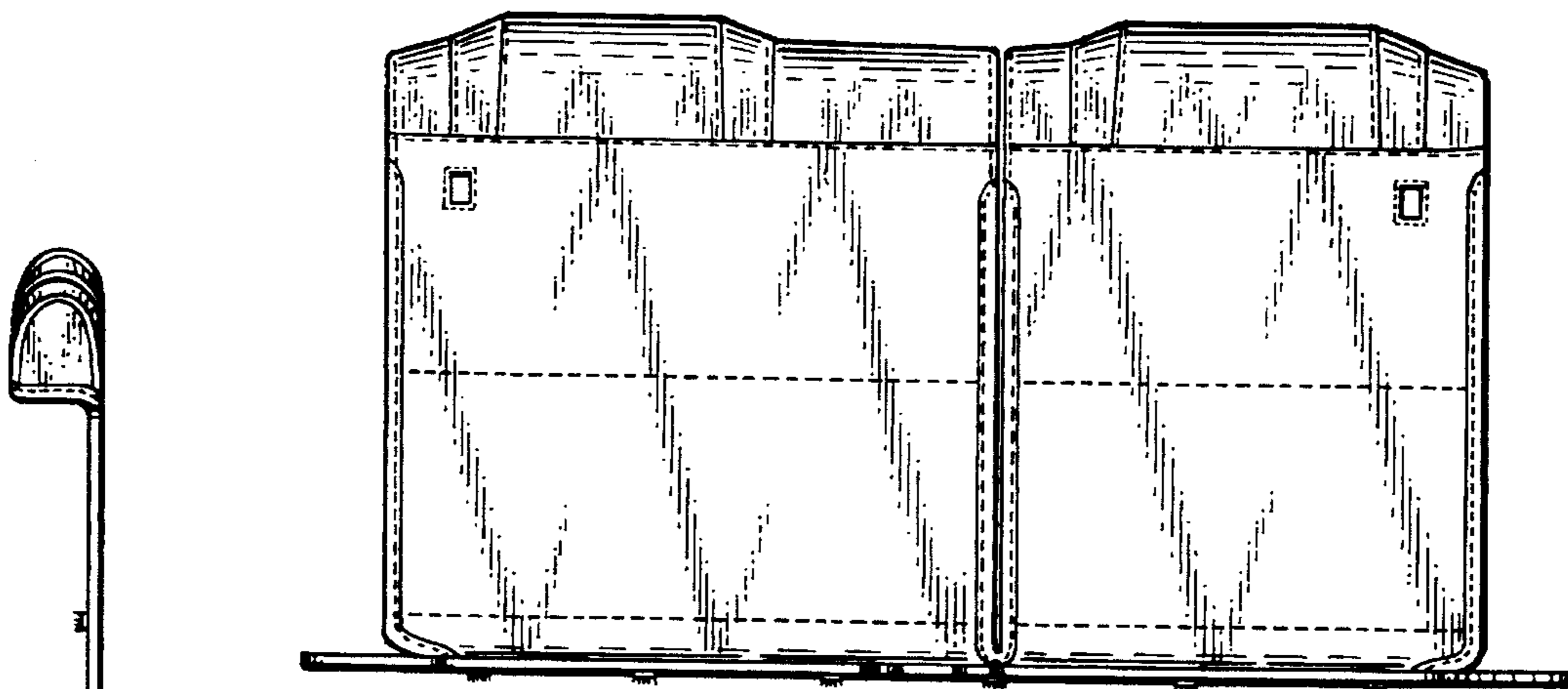


Fig. 2

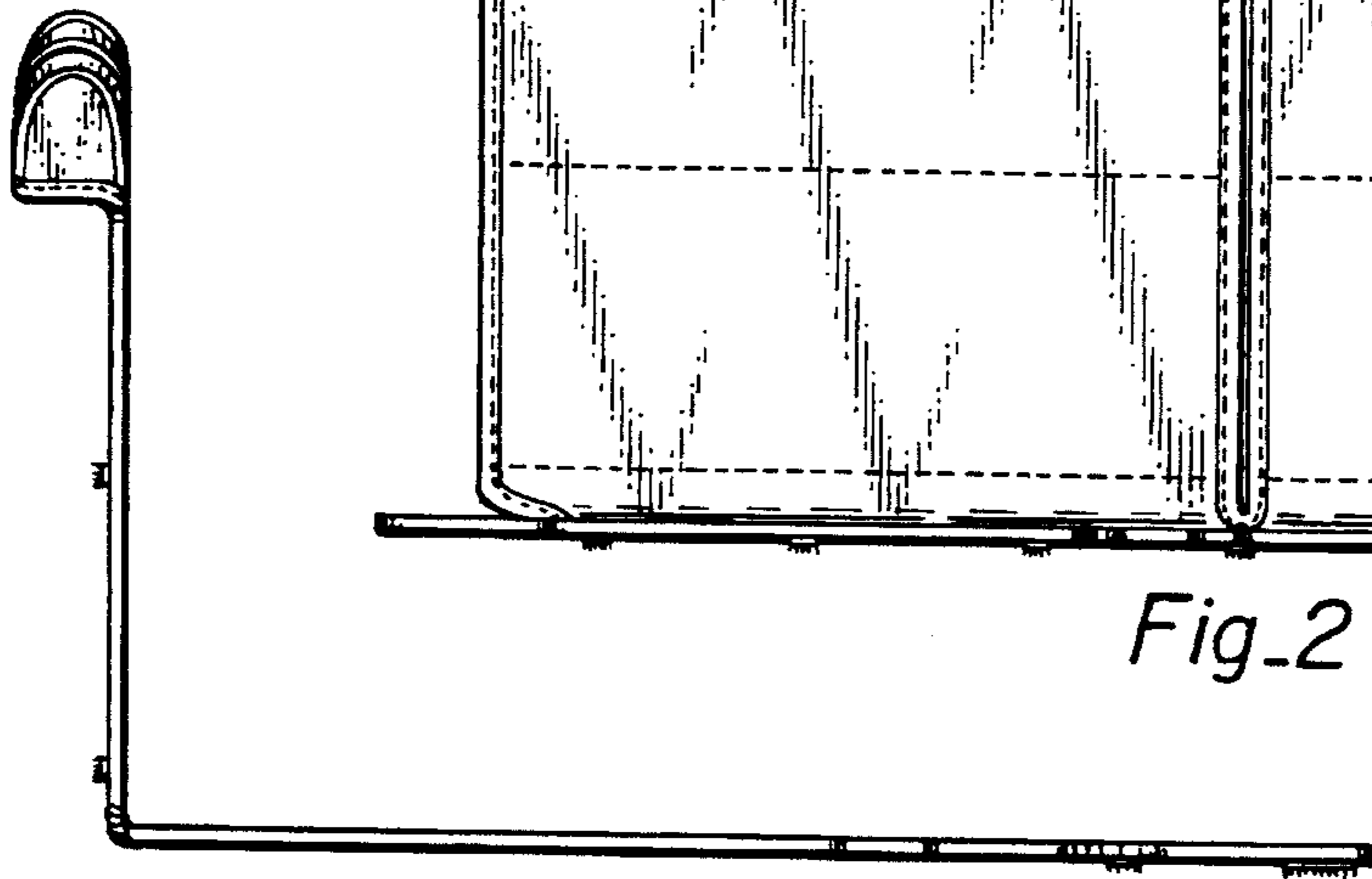
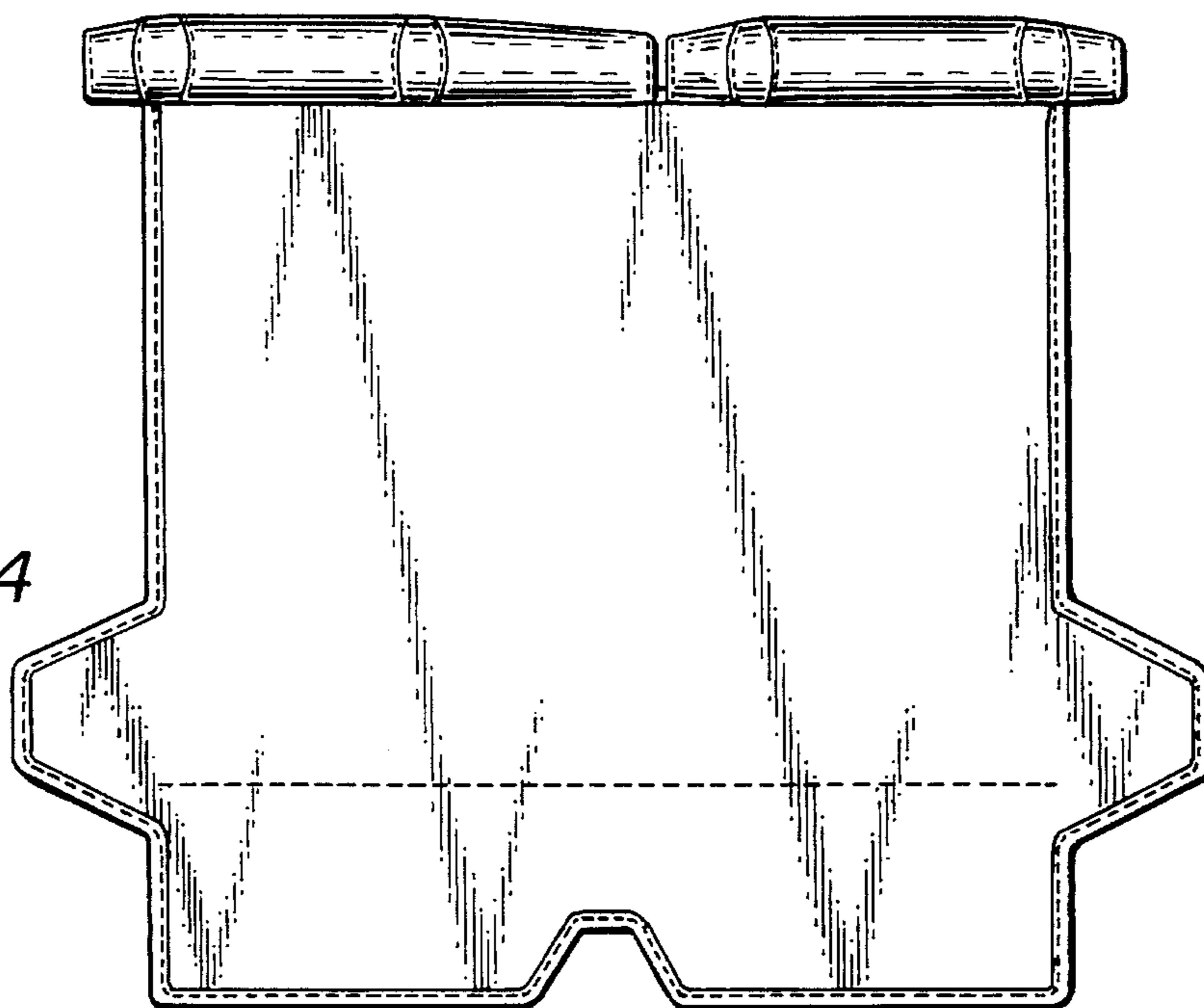
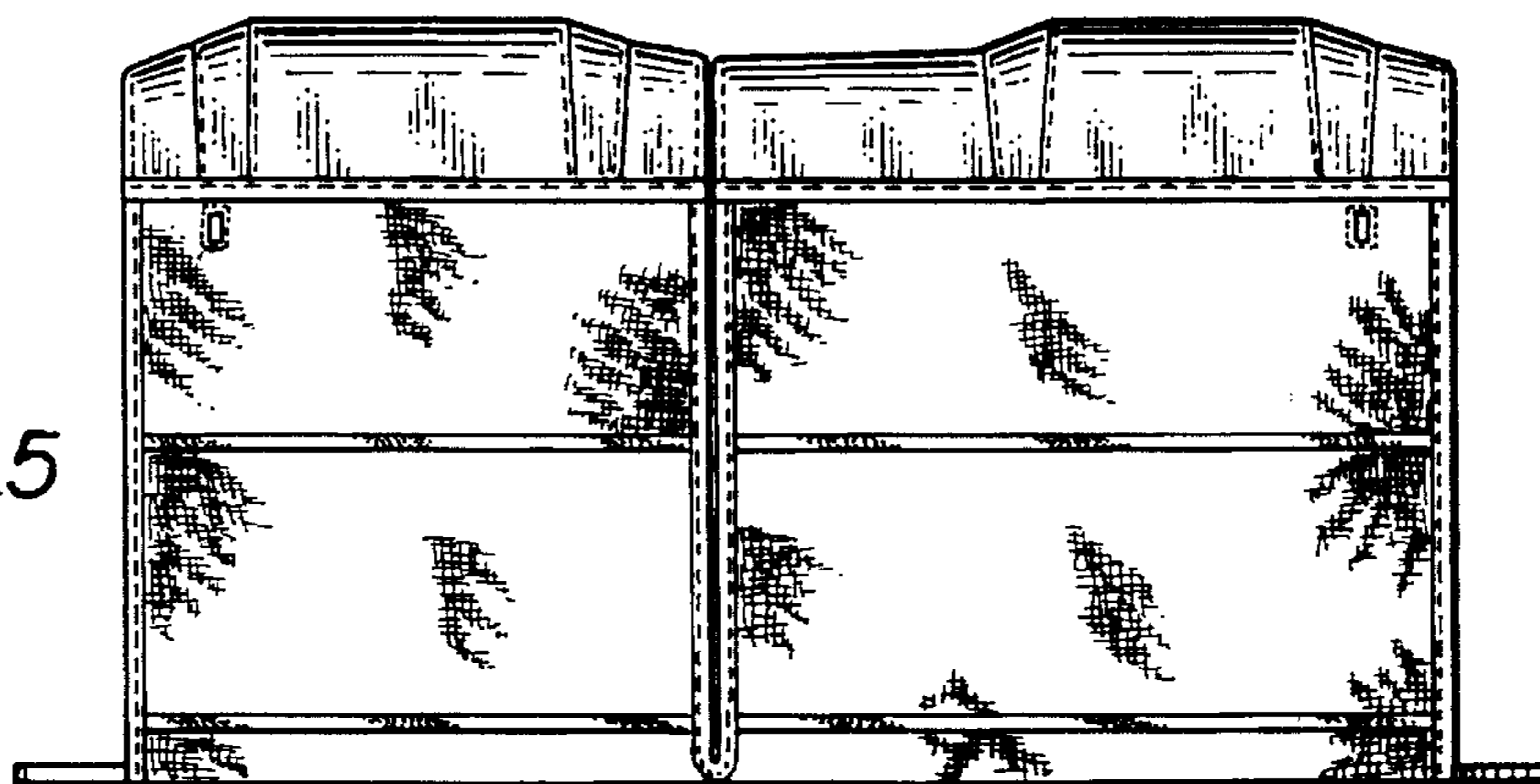


Fig. 3

Fig_4



Fig_5



Fig_6

