



US00D373980S

United States Patent [19]
Camfield

[11] **Patent Number: Des. 373,980**
[45] **Date of Patent: **Sep. 24, 1996**

[54] **BICYCLE**

D. 350,087 8/1994 Sanborn D12/111

[75] Inventor: **David K. Camfield**, Olney, Ill.

OTHER PUBLICATIONS

[73] Assignee: **Roadmaster Corporation**, Olney, Ill.

U.S. Trademark Registration No. 74/467,938.
U.S. Trademark Registration No. 74/467,939.
U.S. Trademark Registration No. 74/467,941.
AMF Junior Catalog, 1976 Juvenile Wheel Goods, p. 10.
AMF Roadmaster Bicycles, Catalog, 1976, models L9230 and L9236.
AMF Junior Catalog, 1977 Juvenile Wheel Goods, models G992 and G986.
AMF Junior catalog, 1978 Juvenile Wheel Goods, pp. 10 and 12.
AMF Catalog, Junior Wheel Goods for 1979, p. 9.
Popular Club Plan Catalog, 1994, p. 87.
Brochure entitled "Roadmaster Introduces The Harley-Davidson® of Bicycles", 6 pages, 1994 by Roadmaster Corporation.
Article from *USA Today* Newspaper entitled "Toys For Little Angels Or Kids Born To Be Wild", one page, Feb. 11, 1994.

[**] Term: **14 Years**

[21] Appl. No.: **26,043**

[22] Filed: **Jul. 18, 1994**

Related U.S. Application Data

[63] Continuation of Ser. No. 248,806, May 24, 1994, abandoned, which is a continuation-in-part of Ser. No. 896,155, Jun. 10, 1992, Pat. No. 5,314,207.

[52] **U.S. Cl.** **D12/111**

[58] **Field of Search** D12/111, 110;
280/281.1, 288.1, 288.2, 288.3

[56] **References Cited**

U.S. PATENT DOCUMENTS

D. 149,968	6/1948	Oertle et al.	D12/110
D. 170,610	10/1953	Sebel	D12/111
D. 241,330	9/1976	Morioka et al.	D12/110
D. 267,245	12/1982	Iwasaki	D12/110
D. 274,052	5/1984	Iwakura et al.	D12/110
D. 277,090	1/1985	Iwakura et al.	D12/110
D. 281,870	12/1985	Nakano	D12/110
D. 283,689	5/1986	Nakano et al.	D12/110
D. 294,338	2/1988	Yamada et al.	D12/110
D. 295,029	4/1988	Kizawa et al.	D12/110
D. 297,721	9/1988	Kaneko et al.	D12/110
D. 299,710	2/1989	Iwakura et al.	D12/110
D. 302,801	8/1989	Lacroix	D12/110
D. 305,748	1/1990	Kaneko et al.	D12/110
D. 310,053	8/1990	Kishi et al.	D12/110
D. 320,961	1/1991	Hikeda	D12/110
D. 342,702	12/1993	Camfield et al.	D12/111
D. 343,810	2/1994	Sanborn	D12/111
D. 344,046	2/1994	Kitagawa et al.	D12/110
D. 346,138	4/1994	Camfield et al.	D12/111

Primary Examiner—A. Hugo Word
Assistant Examiner—M. Brown
Attorney, Agent, or Firm—Steven P. Shurtz; Brinks Hofer Gilson & Lione

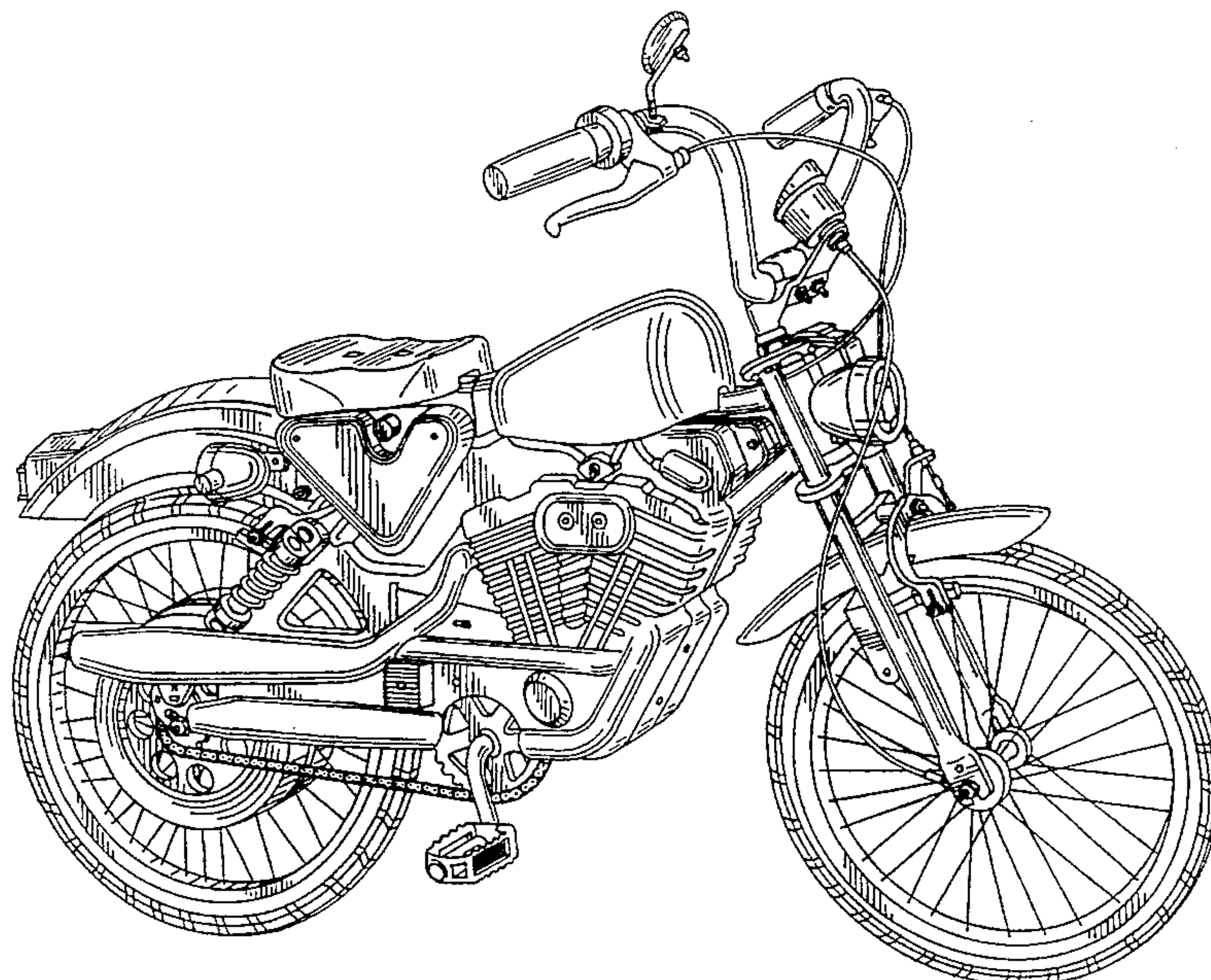
[57] **CLAIM**

The ornamental design for a bicycle, as shown.

DESCRIPTION

FIG. 1 is a right, front perspective view of a bicycle showing my new design;
FIG. 2 is a right side elevational view thereof;
FIG. 3 is a left side elevational view thereof;
FIG. 4 is a top plan view thereof;
FIG. 5 is a bottom plan view thereof;
FIG. 6 is a front elevational view thereof; and,
FIG. 7 is a rear elevational view thereof.

1 Claim, 6 Drawing Sheets



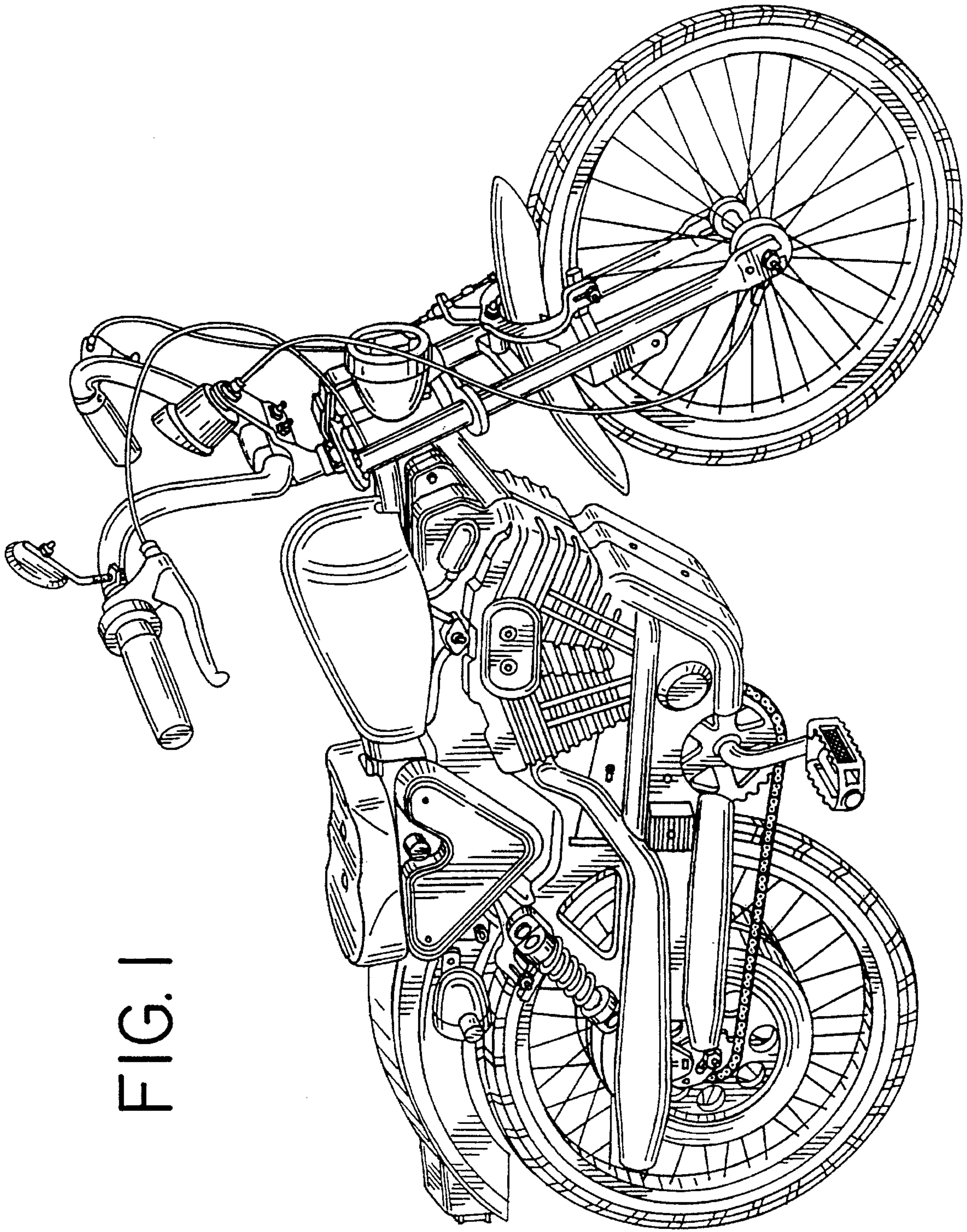


FIG. 1

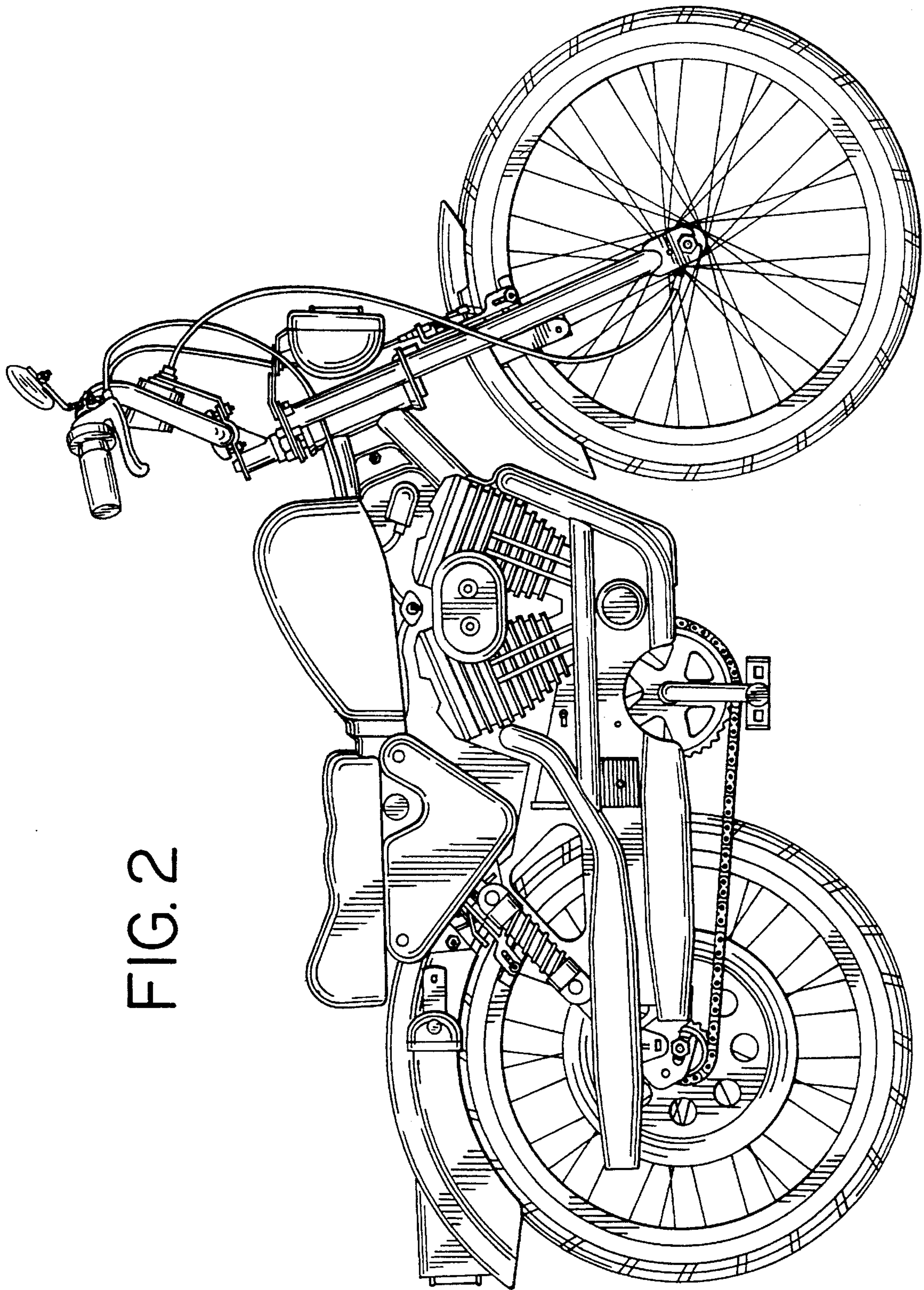
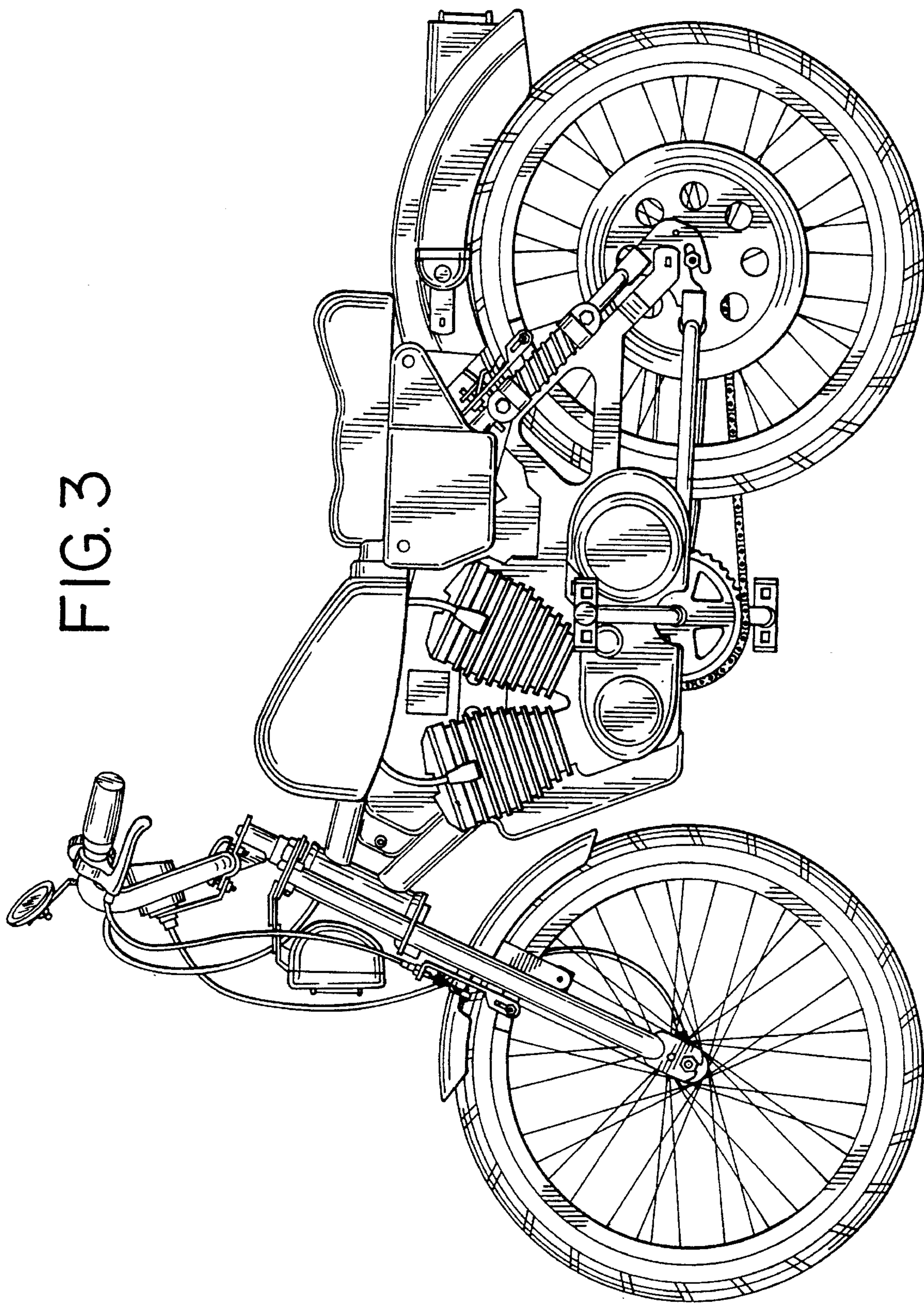


FIG. 2

FIG. 3



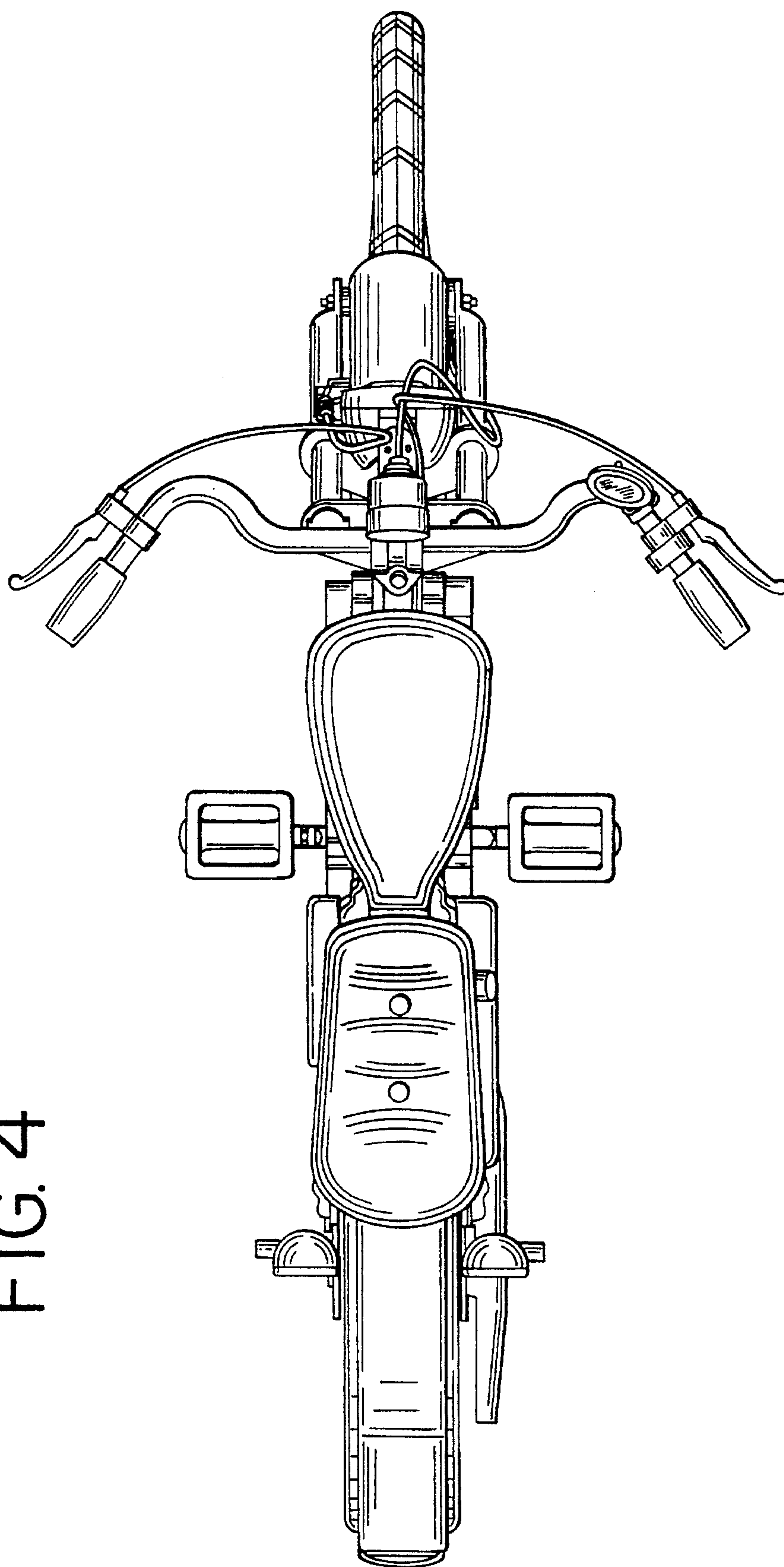


FIG. 4

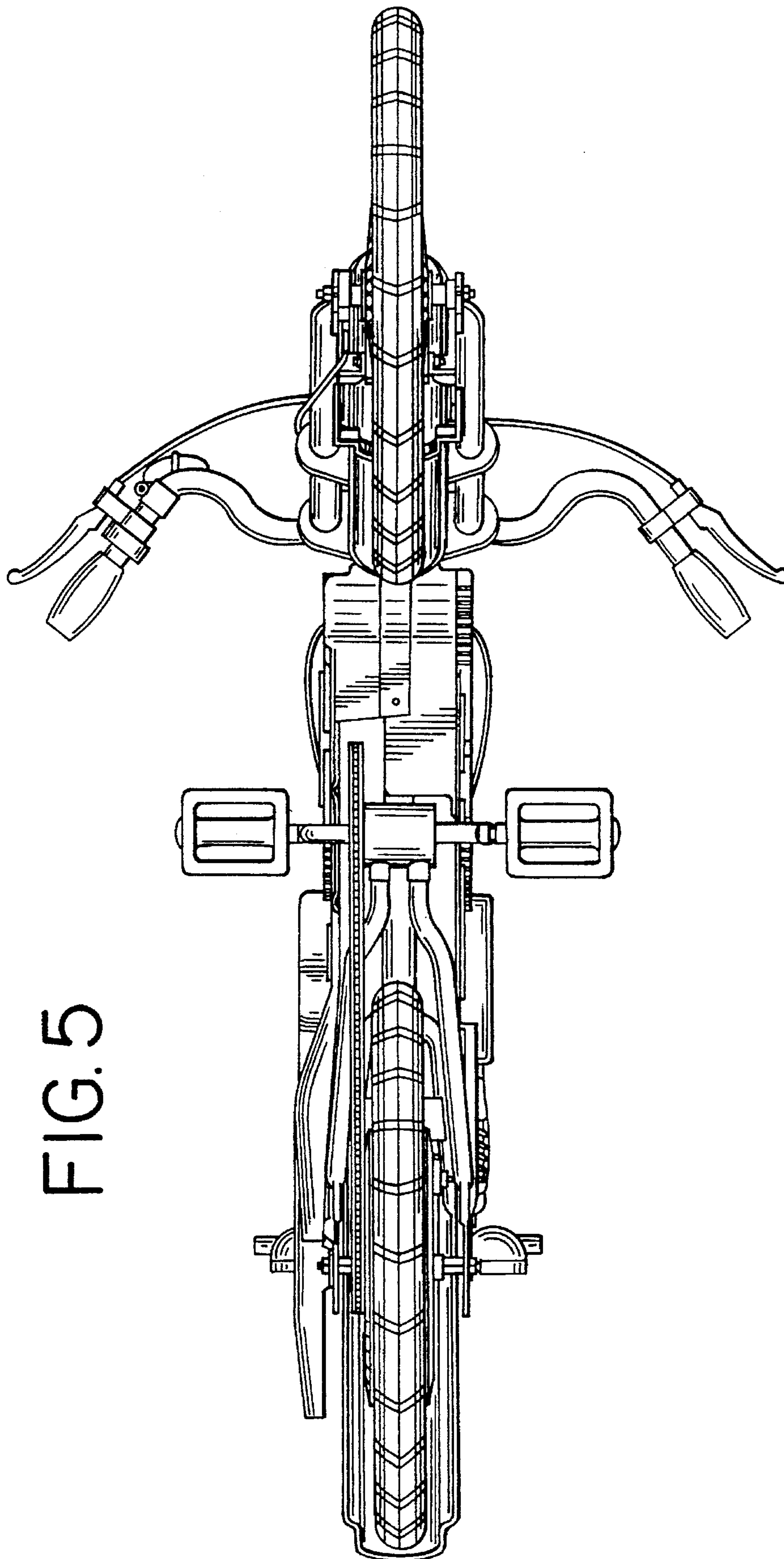


FIG. 5

