



US00D373976S

United States Patent [19]
Bartolini

[11] **Patent Number: Des. 373,976**
[45] **Date of Patent: **Sep. 24, 1996**

[54] **GO CART**

[76] **Inventor: Frank J. Bartolini, 7 Morning Dove,
Laguna Niguel, Calif. 92677**

[**] **Term: 14 Years**

[21] **Appl. No.: 42,519**

[22] **Filed: Aug. 11, 1995**

[52] **U.S. Cl. D12/88; D21/71**

[58] **Field of Search D12/88; D21/71,
D21/76, 78; 280/87.01; 296/186**

D. 320,420 10/1991 Dupont D21/71
3,799,283 3/1974 Freber D12/88
3,887,210 6/1975 Funke 280/87.01

Primary Examiner—Melody N. Brown
Attorney, Agent, or Firm—Francis X. LoJacono

[57] **CLAIM**

The ornamental design for a go cart, as shown and described.

DESCRIPTION

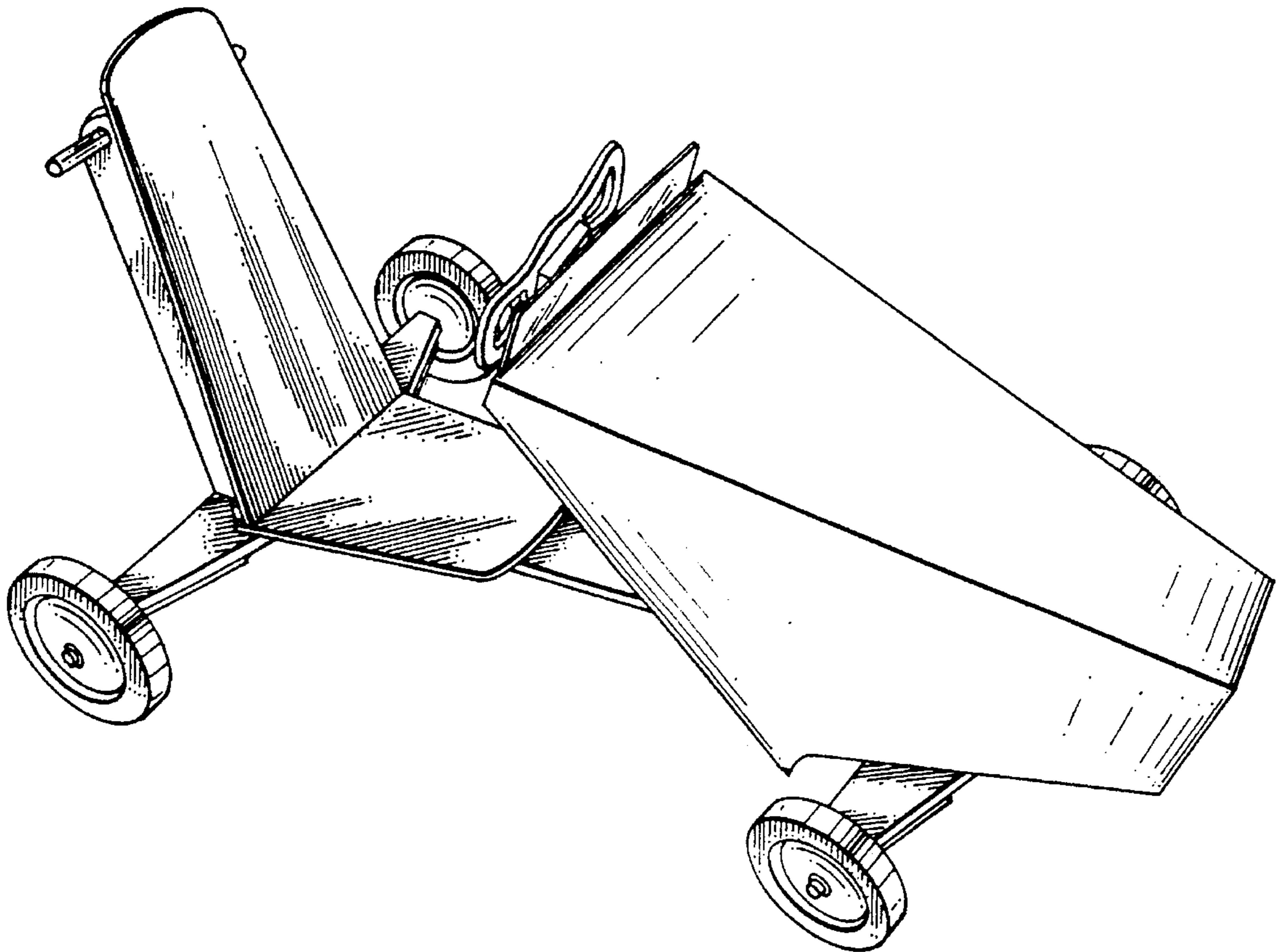
FIG. 1 is a perspective view of the left side of a go cart showing my new design thereof;
FIG. 2 is a right side elevational view thereof;
FIG. 3 is a top plan view thereof;
FIG. 4 is a bottom plan view thereof;
FIG. 5 is a front elevational view thereof; and,
FIG. 6 is a rear elevational view thereof.

[56] **References Cited**

U.S. PATENT DOCUMENTS

D. 190,114 4/1961 Baxter et al. D12/88
D. 193,472 8/1962 Stevens et al. D12/88
D. 193,706 10/1962 Davies D12/88
D. 202,434 9/1965 Schreckenyoost D21/78
D. 202,435 9/1965 Stoneburner D21/78

1 Claim, 2 Drawing Sheets



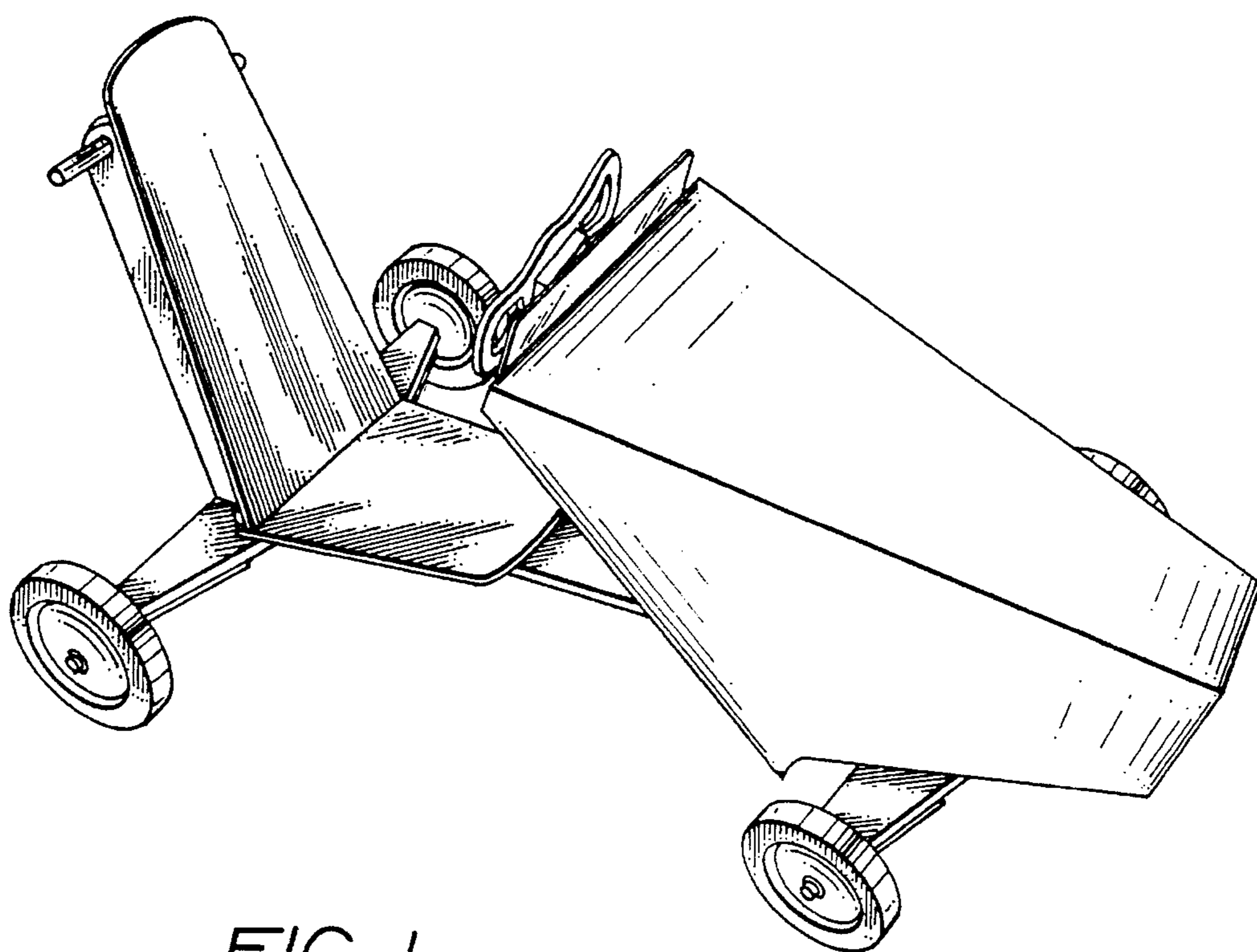


FIG. 1

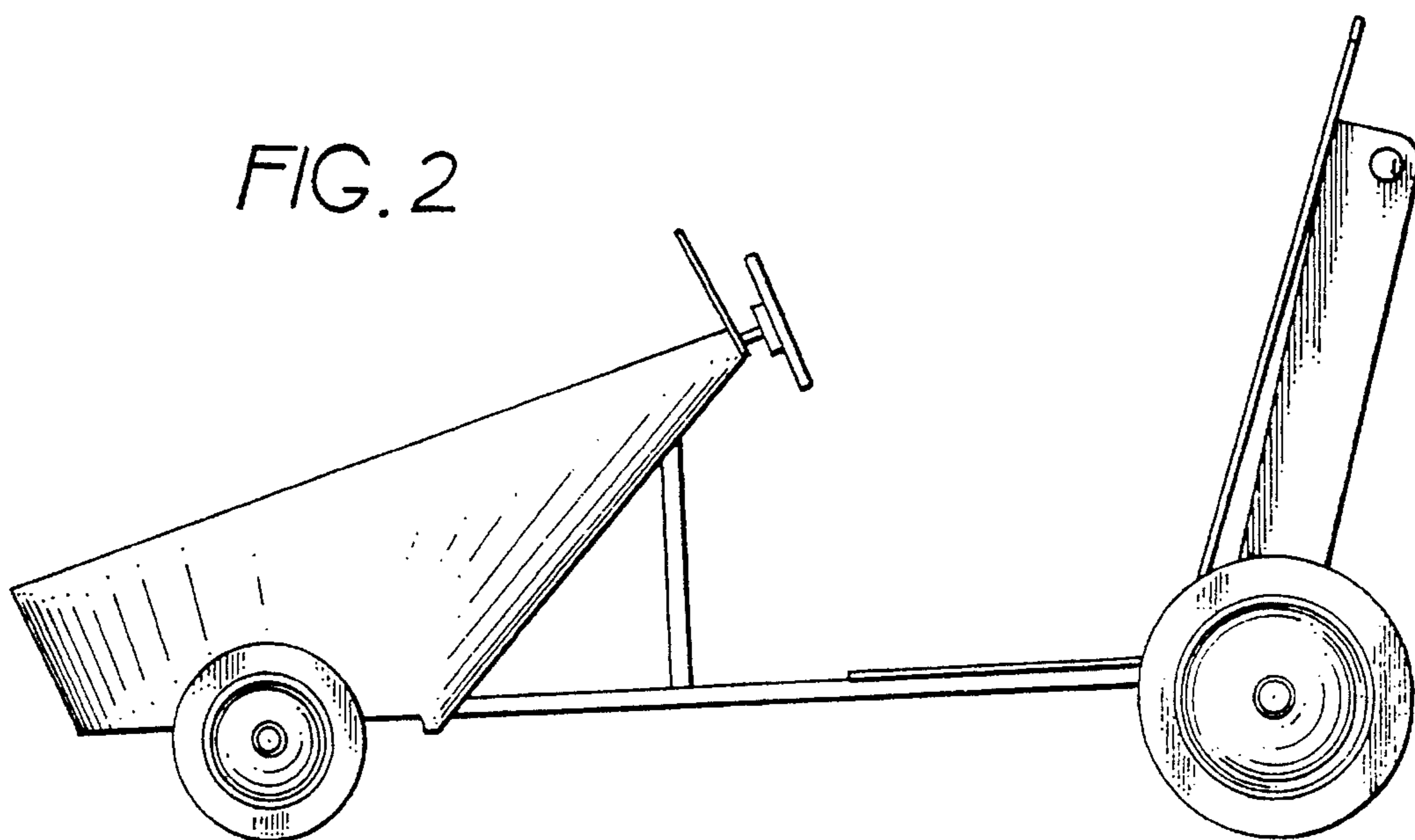


FIG. 2

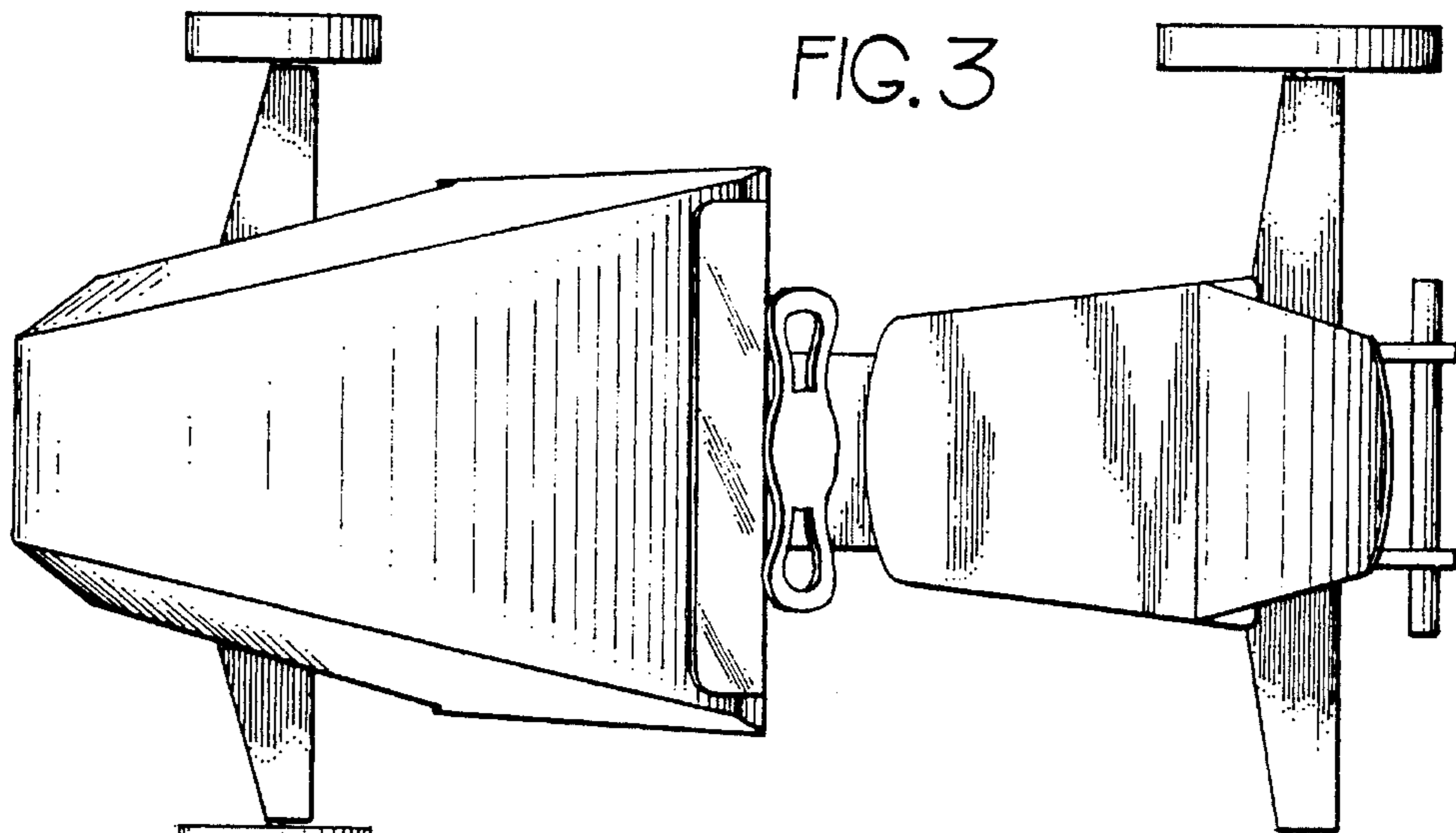


FIG. 3

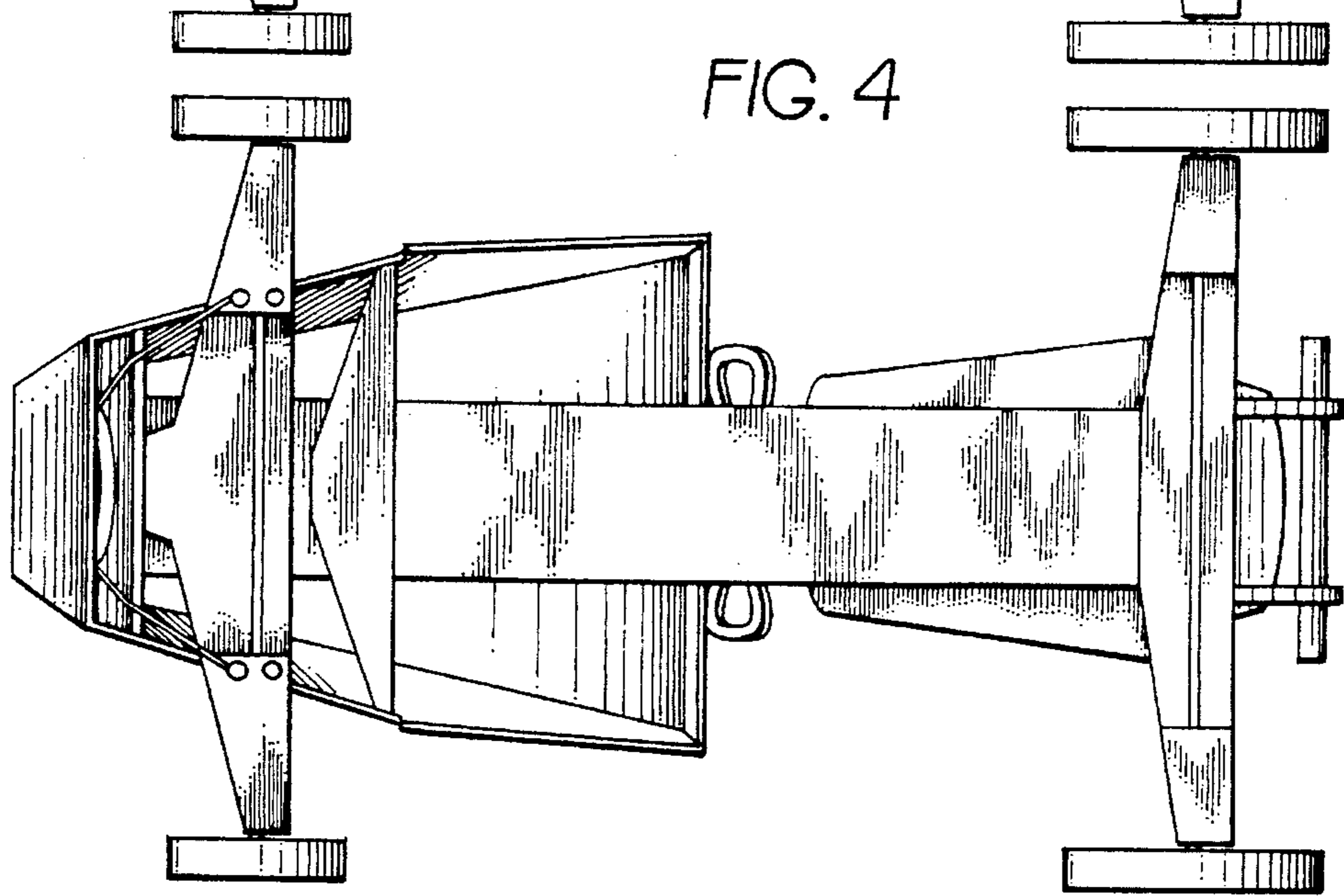


FIG. 4

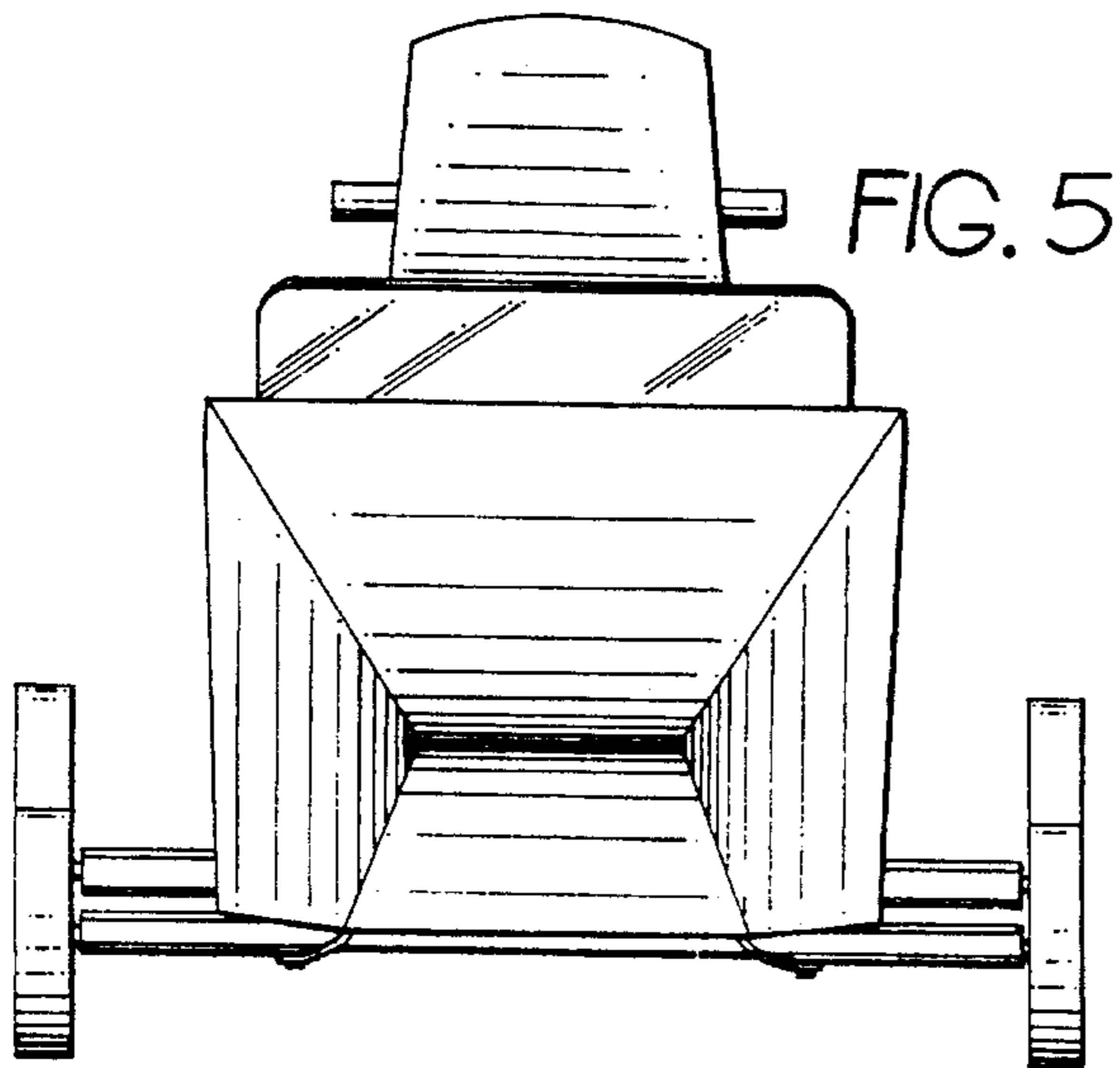


FIG. 5

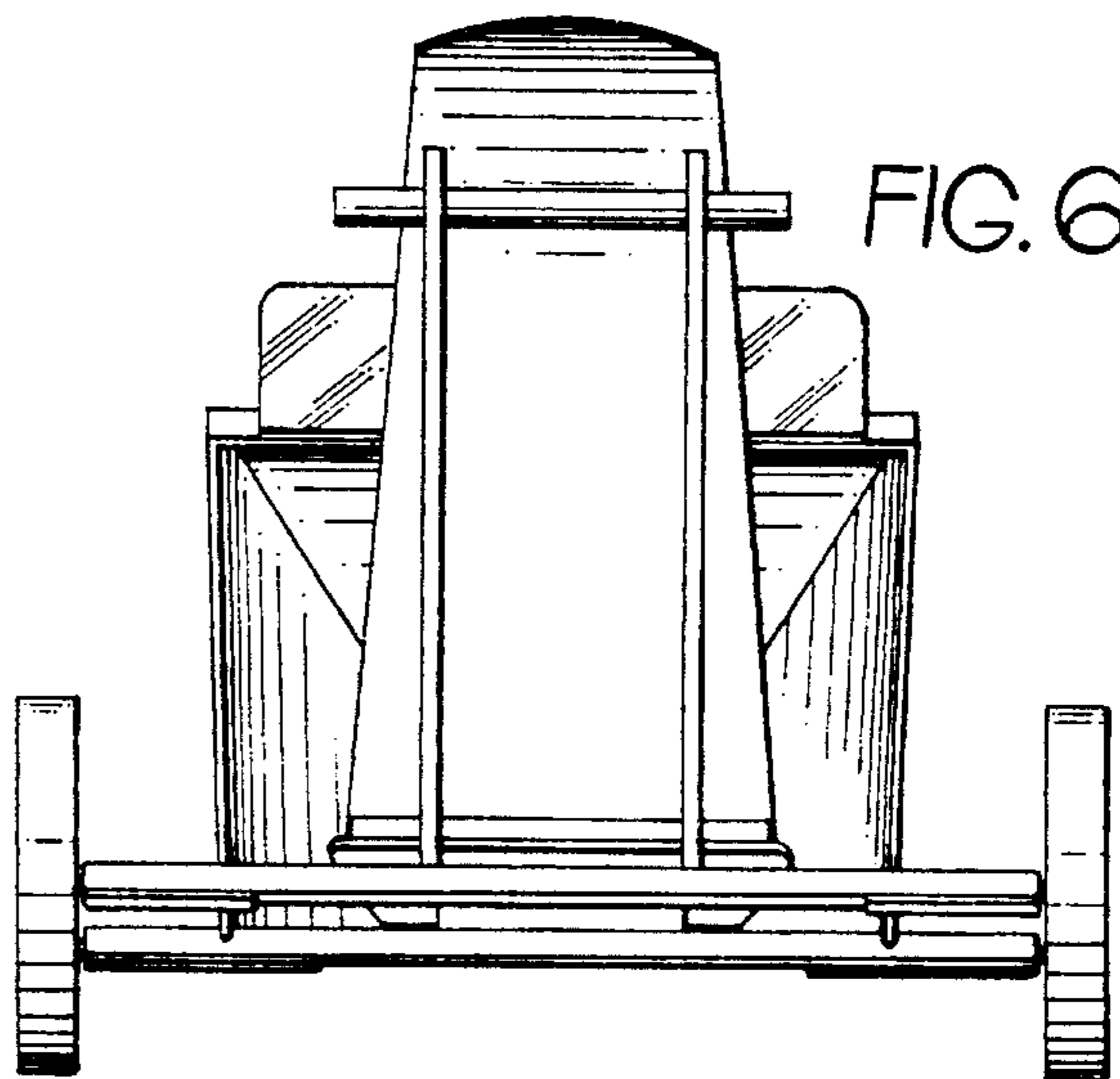


FIG. 6