



US00D373973S

REEXAMINATION CERTIFICATE (083739730)

United States Patent [19]

[11] Des. 373,973

Dickinson et al.

[45] Certificate Issued

Sep. 24, 1996

[54] FLOWER POT OR PLANTER WITH CONVERTIBLE BASE

[75] Inventors: Thomas Dickinson; Bradley D. Gale, both of St. Louis, Mo.

[73] Assignee: Contico International, Inc., St. Louis, Mo.

[**] Term: 14 Years

[21] Appl. No.: 31,727

[22] Filed: Dec. 5, 1994

[52] U.S. Cl. D11/152; D7/558

[58] Field of Search D11/152, 143; D7/558, 584; 47/67, 71

D. 331,727	12/1992	Grosfillex .	
D. 338,377	8/1993	Scott, Jr. et al. .	
D. 338,811	8/1993	Scott, Jr. et al. .	
D. 340,169	10/1993	Scott, Jr. et al. .	
D. 340,204	10/1993	Grosfillex .	
D. 352,479	11/1994	Carlson	D11/143 X
2,550,602	4/1951	Rothe .	
2,802,304	8/1957	Hille .	
3,058,263	10/1962	Reynolds .	
3,220,144	11/1965	Green .	
3,676,953	7/1972	Delogne .	
3,906,666	9/1975	Daenen et al. .	
3,981,099	9/1976	Dziewulski et al.	47/67
4,224,764	9/1980	Dziewulski et al.	47/67 X
4,315,382	2/1982	Kay et al. .	
4,434,577	3/1984	Holtkamp .	
4,912,875	4/1990	Tardif .	
5,042,197	8/1991	Pope	47/71 X

[56] **References Cited**

U.S. PATENT DOCUMENTS

D. 20,335	11/1890	Whilldin .	
D. 42,400	4/1912	Simons .	
D. 97,965	12/1935	Wright	D11/152
D. 118,230	12/1939	Fader .	
D. 119,643	3/1940	Sawyer	D11/153
D. 137,049	1/1944	Hill .	
D. 137,050	1/1944	Hill .	
D. 174,830	5/1955	Nowak	D7/558
D. 175,435	8/1955	Moffat	D11/152 X
196,937	11/1877	Russell	47/71
D. 198,040	4/1964	Bonham et al. .	
D. 199,336	10/1964	Wanderer .	
D. 242,161	11/1976	Dziewulki .	
D. 243,390	2/1977	Mastrianni .	
D. 245,643	8/1977	Orfei .	
D. 246,750	12/1977	Harshman et al.	D11/152 X
D. 252,869	9/1979	Dziewulski .	
D. 265,387	7/1982	Nattrass .	
D. 266,690	10/1982	Levin .	
D. 298,222	10/1988	Hobson .	
D. 313,203	12/1990	Carlson .	
314,682	3/1885	Kaiser .	
D. 319,199	8/1991	Lomeli .	
D. 320,763	10/1991	Lomeli .	
D. 322,047	12/1991	Wolfenden .	
D. 322,946	1/1992	Claridge .	
D. 324,005	2/1992	Grosfillex	D11/152
D. 325,544	4/1992	Foret .	
D. 329,406	9/1992	Grosfillex .	
D. 331,549	12/1992	Embree .	

FOREIGN PATENT DOCUMENTS

361 of 1859 United Kingdom 47/71

OTHER PUBLICATIONS

"Plantpak Grower Products Brochure", 1985, p. 8, Classic Basket.
"Garden Scene, Quality Planterware" catalog, Dura Cotta® Planters, pp.20-21.

Primary Examiner—James M. Gandy
Assistant Examiner—Cathron B. Matta
Attorney, Agent, or Firm—Howell & Haferkamp, L.C.

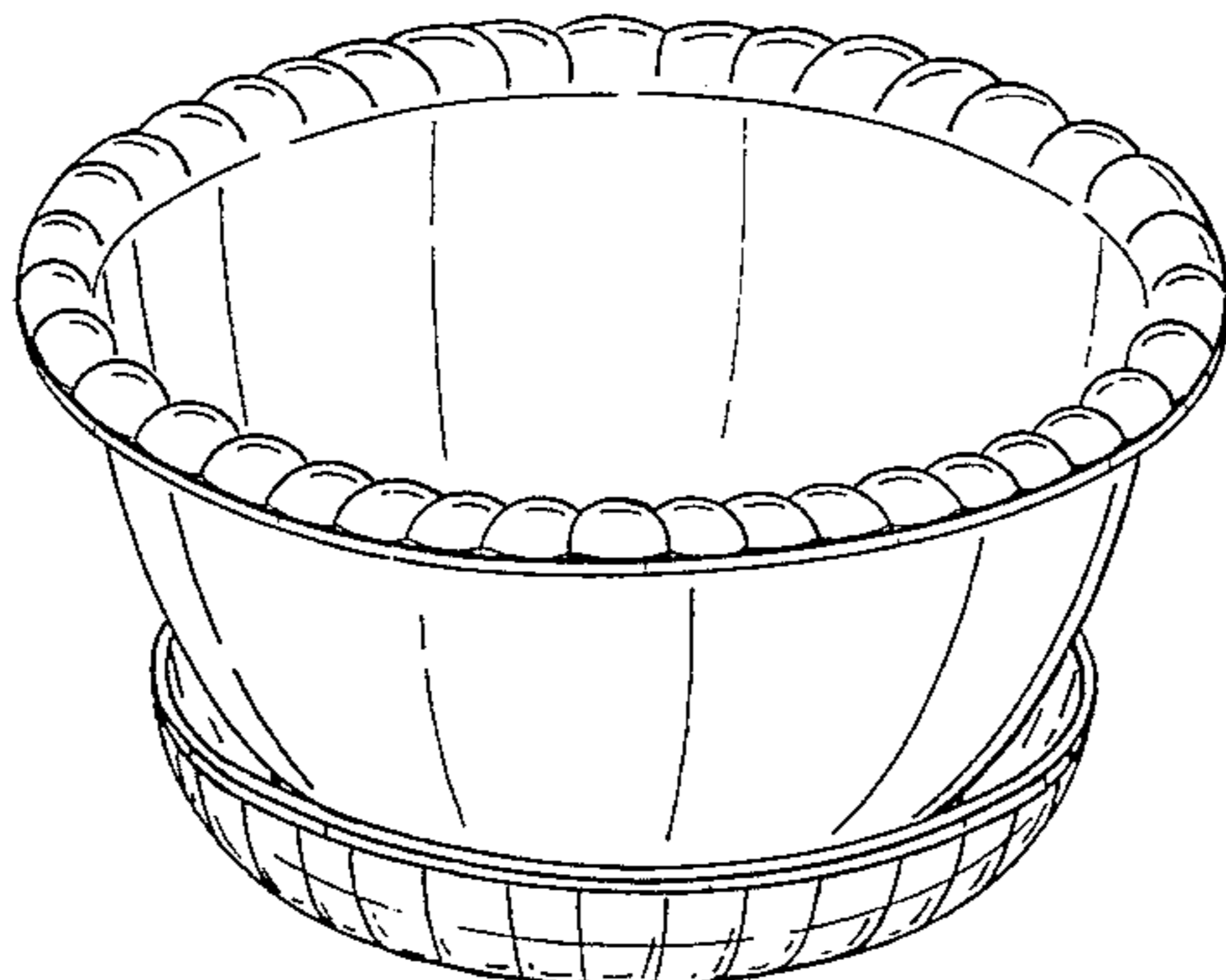
[57] **CLAIM**

The ornamental design for a flower pot or planter, as shown and described.

DESCRIPTION

FIG. 1 is a perspective view of a flower pot or planter with convertible base, showing one embodiment of my new design;
FIG. 2 is a top, plan view of FIG. 1;
FIG. 3 is a side, elevational view of FIG. 1;
FIG. 4 is a bottom, plan view of FIG. 1;
FIG. 5 is a side, elevational view of a flower pot or planter with convertible base, showing the base in an alternate position; and,
FIG. 6 is a bottom, plan view of FIG. 5.

1 Claim, 3 Drawing Sheets



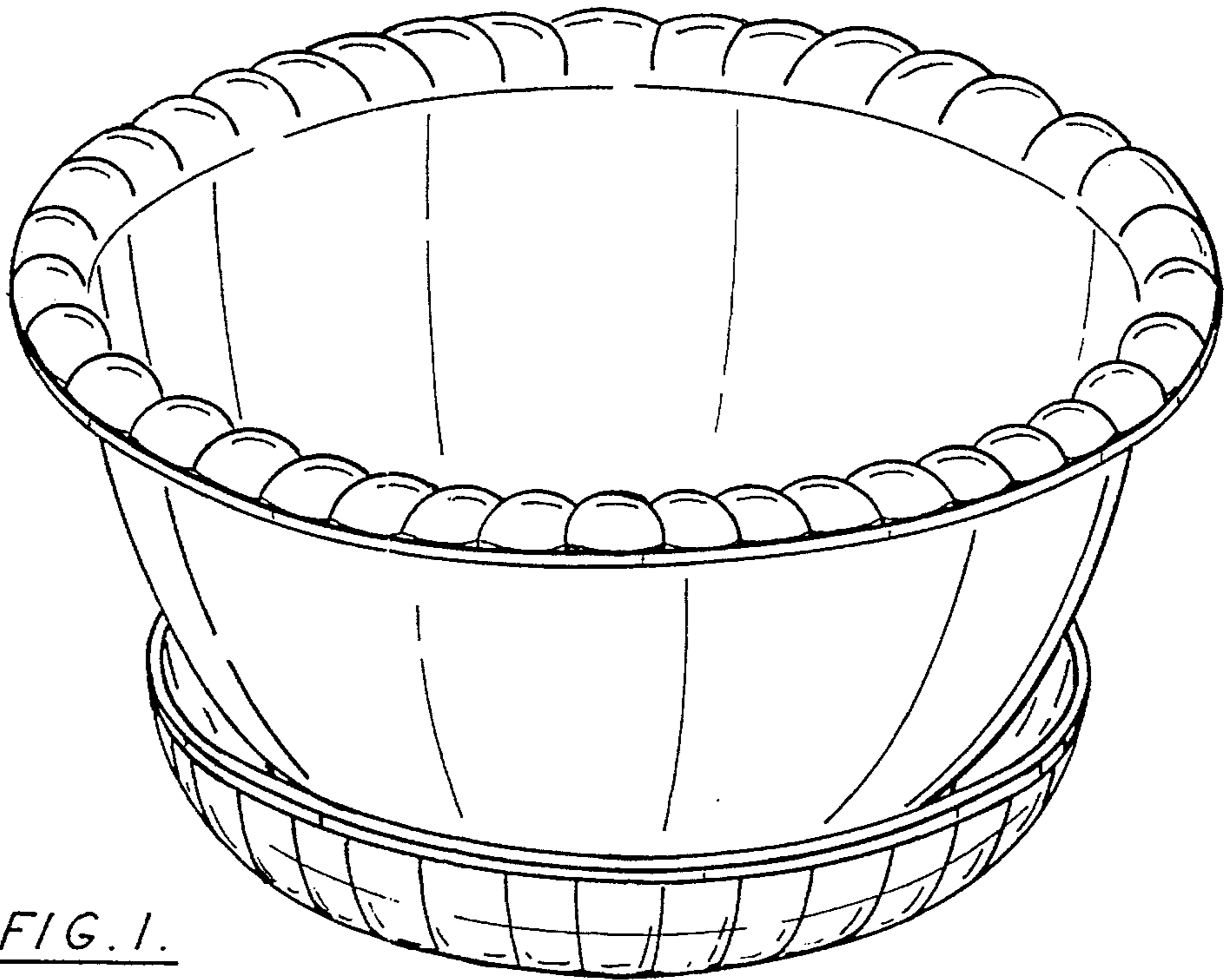


FIG. 1.

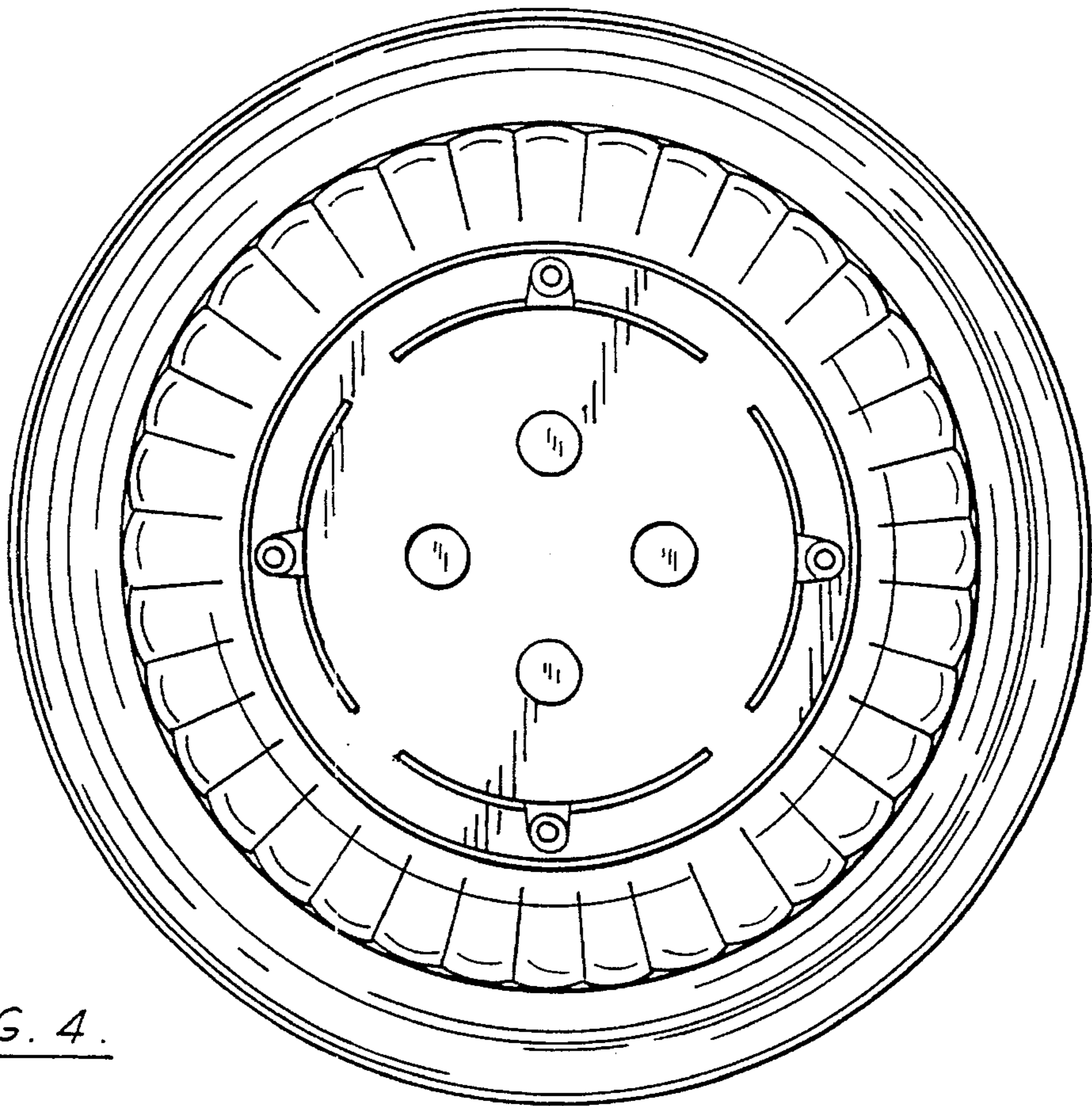


FIG. 4.

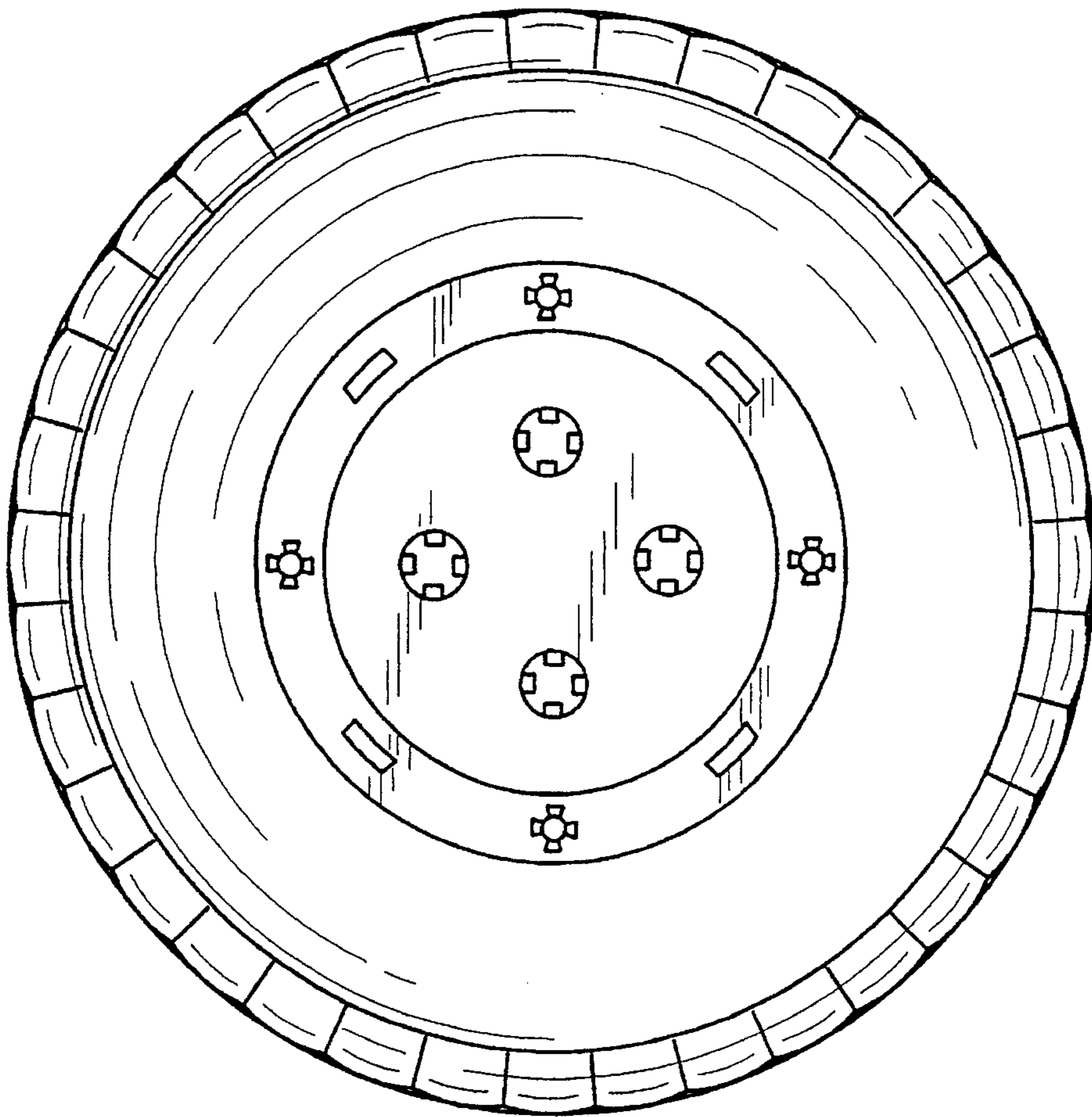


FIG. 2

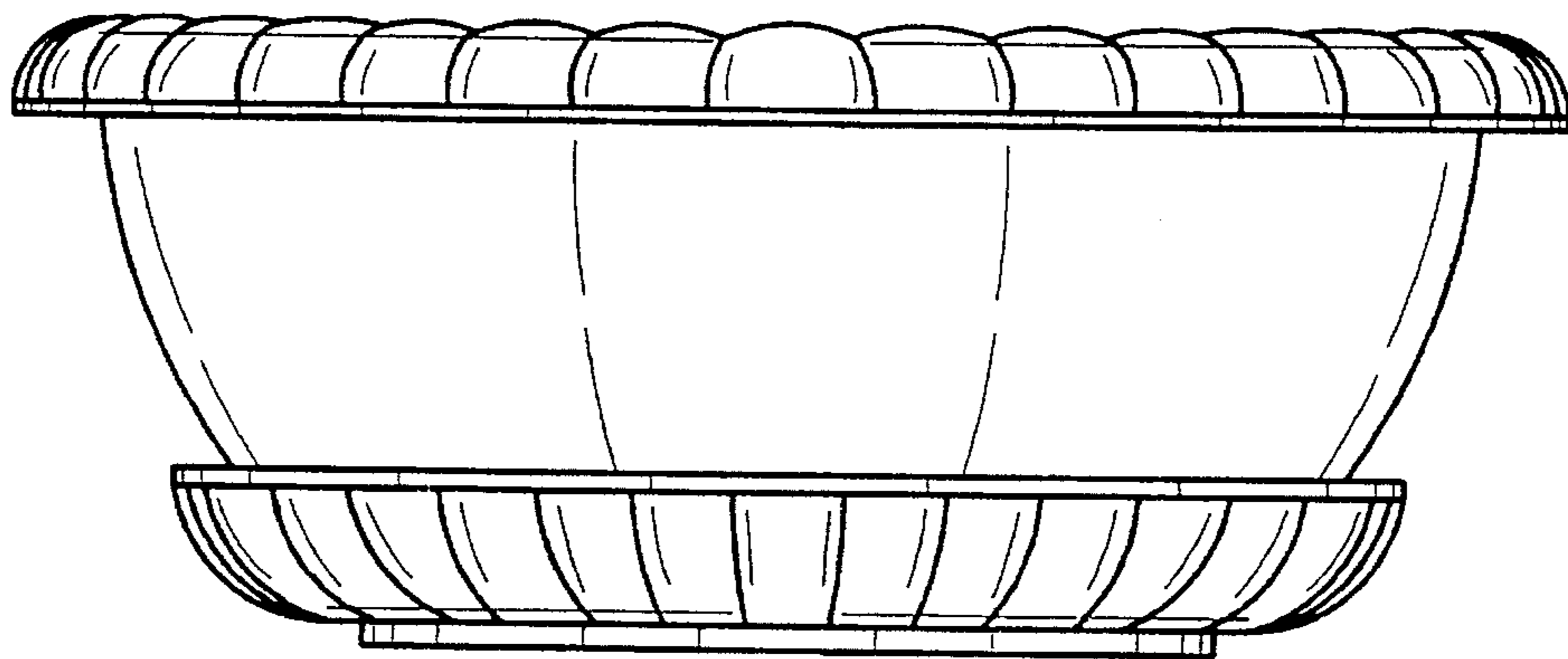


FIG. 3

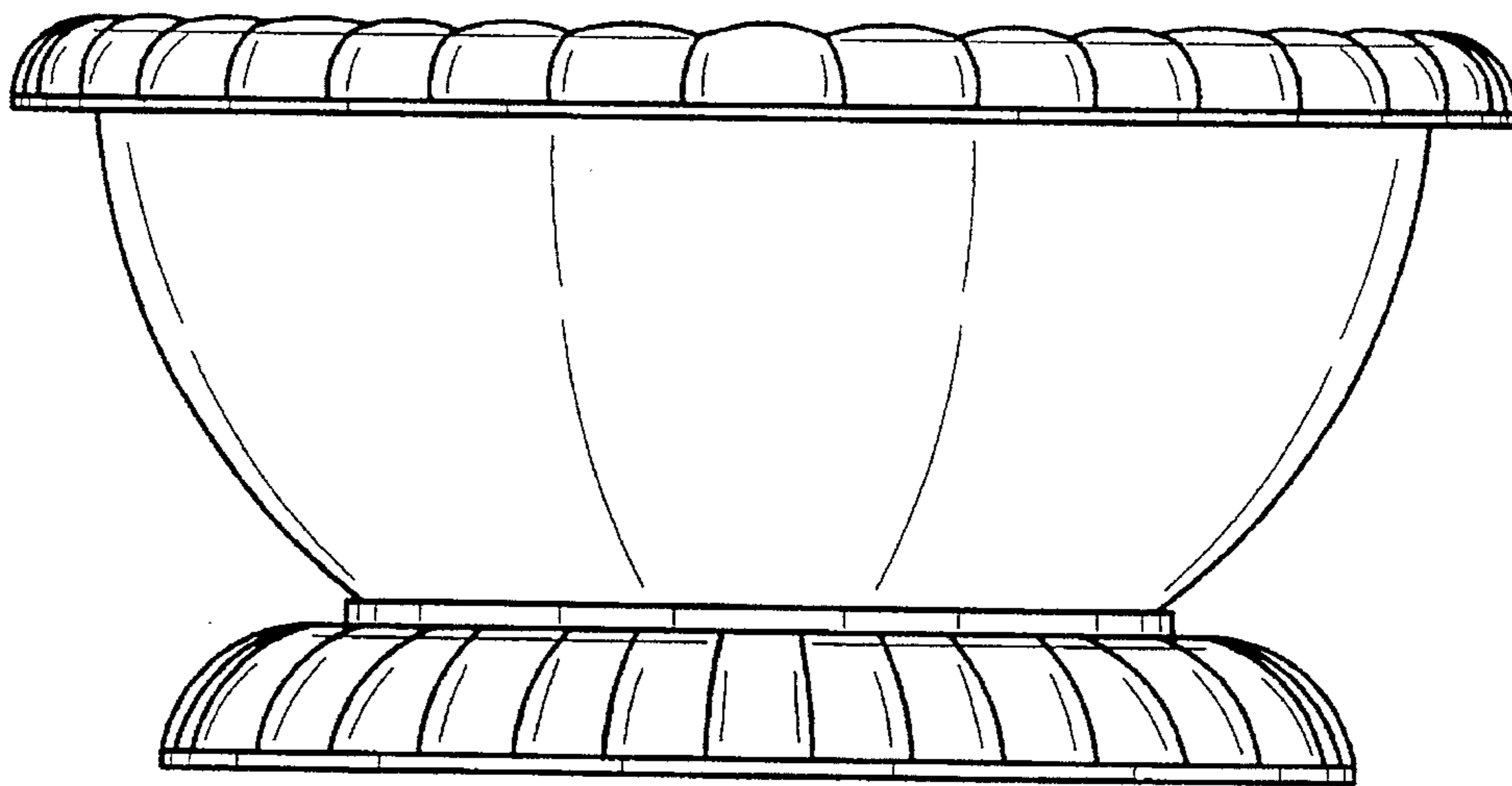


FIG. 5

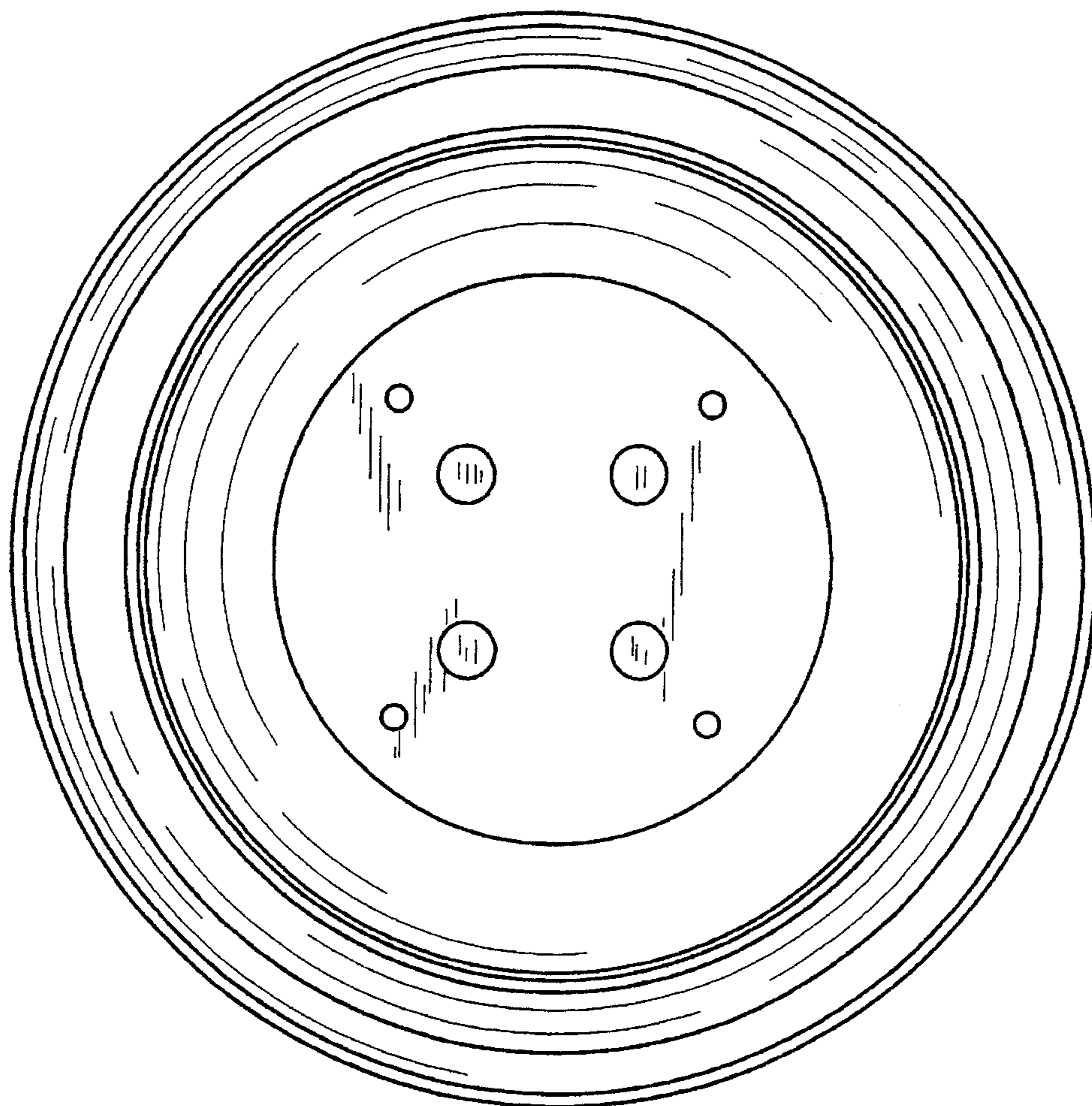


FIG. 6

UNITED STATES PATENT AND TRADEMARK OFFICE
CERTIFICATE OF CORRECTION

PATENT NO. : Des. 373,973
DATED : 09/24/96
INVENTOR(S) : Dickinson et al.

It is certified that error appears in the above-identified patent and that said Letters Patent is hereby corrected as shown below:

On the title page:

CERTIFICATE (083739730)" - delete "REEXAMINATION"

Signed and Sealed this

Seventh Day of January, 1997



Attest:

BRUCE LEHMAN

Attesting Officer

Commissioner of Patents and Trademarks