



US00D373966S

United States Patent [19]

Sone et al.

[11] Patent Number: **Des. 373,966**

[45] Date of Patent: ****Sep. 24, 1996**

[54] **AUDIBLE SIGNAL FOR ALARM UNITS**

[75] Inventors: **Takahiro Sone; Naoyuki Kigawa**, both of Shizuoka, Japan

[73] Assignee: **Star Micronics Co., Ltd.**, Shizuoka-ken, Japan

[**] Term: **14 Years**

[21] Appl. No.: **40,093**

[22] Filed: **Jun. 9, 1995**

[30] **Foreign Application Priority Data**

Dec. 19, 1994 [JP] Japan 6-38836

[52] **U.S. Cl.** **D10/116**

[58] **Field of Search** D10/104, 106, D10/116, 117, 118, 121; 340/384.1, 384.3, 384.7, 388.1, 390.1, 391.1, 392.1, 392.2, 392.4; D13/152, 156, 182, 184

[56] **References Cited**

U.S. PATENT DOCUMENTS

D. 248,151 6/1978 Duris D10/116

D. 254,727 4/1980 Mitumori D10/116
D. 297,519 9/1988 Shimoya D10/116
D. 339,544 9/1993 Sone D10/116

Primary Examiner—Marcus A. Jackson
Attorney, Agent, or Firm—Pollock, Vande Sande & Priddy

[57] **CLAIM**

The ornamental design for an audible signal for alarm units, as shown and described.

DESCRIPTION

FIG. 1 is a perspective view of an audible signal for alarm units showing my new design;
FIG. 2 is a front elevational view thereof;
FIG. 3 is a rear elevational view thereof;
FIG. 4 is a top plan view thereof;
FIG. 5 is a bottom plan view thereof;
FIG. 6 is a left side elevational view thereof;
FIG. 7 is a right side elevational view thereof; and,
FIG. 8 is a cross-sectional view thereof taken on line 8—8 of FIG. 2, an internal mechanism of which is not shown.

1 Claim, 8 Drawing Sheets

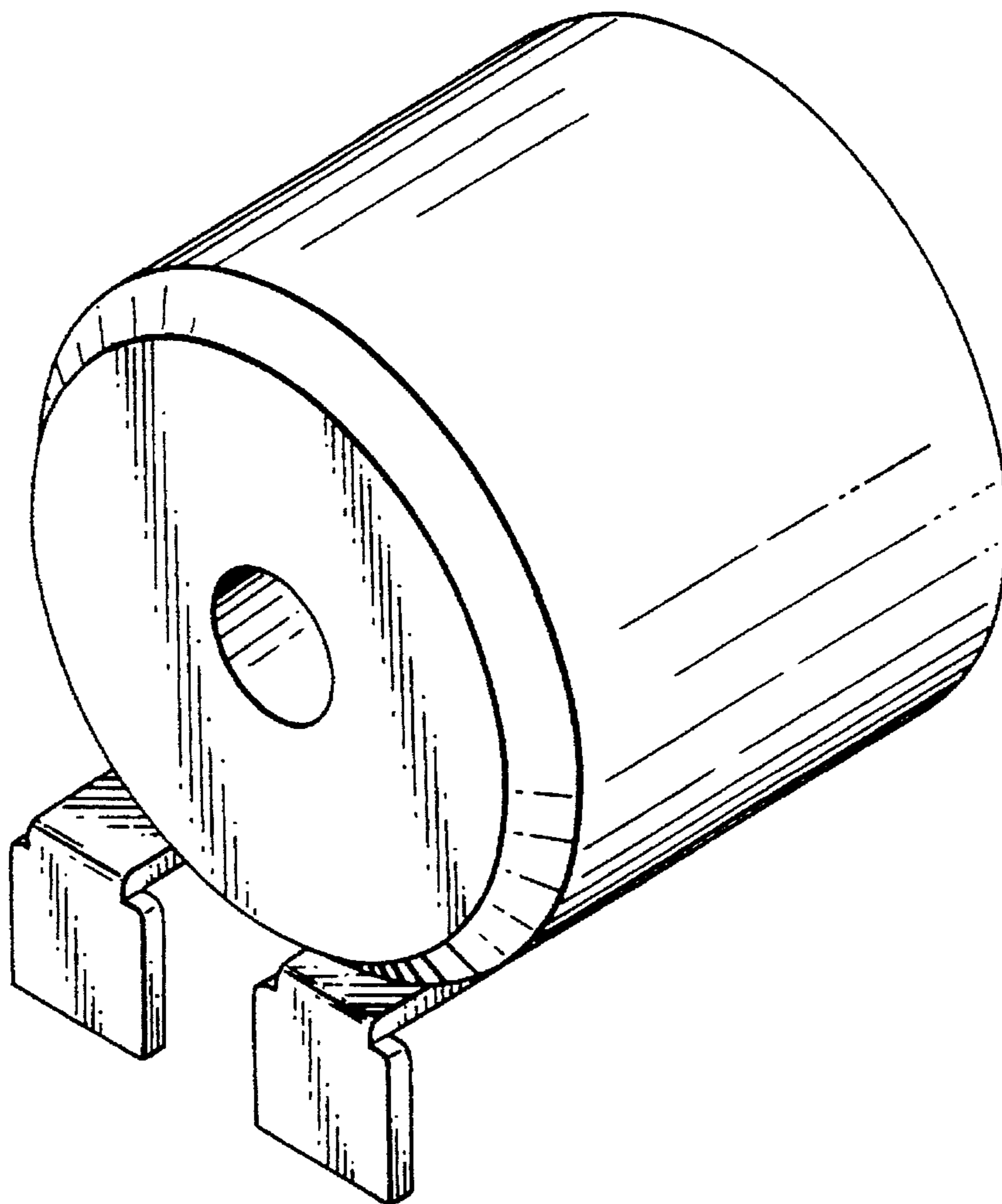


FIG. 1

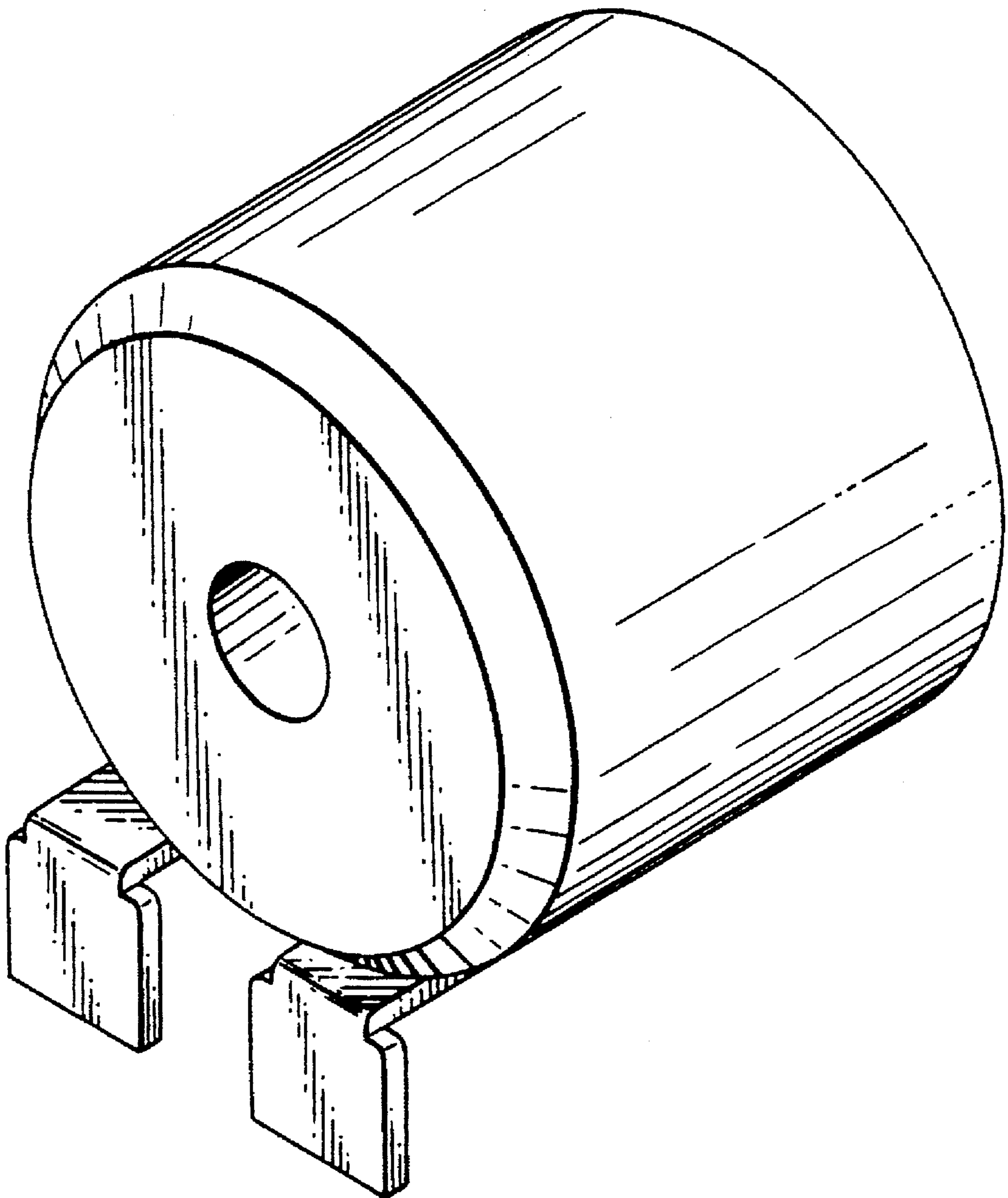


FIG. 2

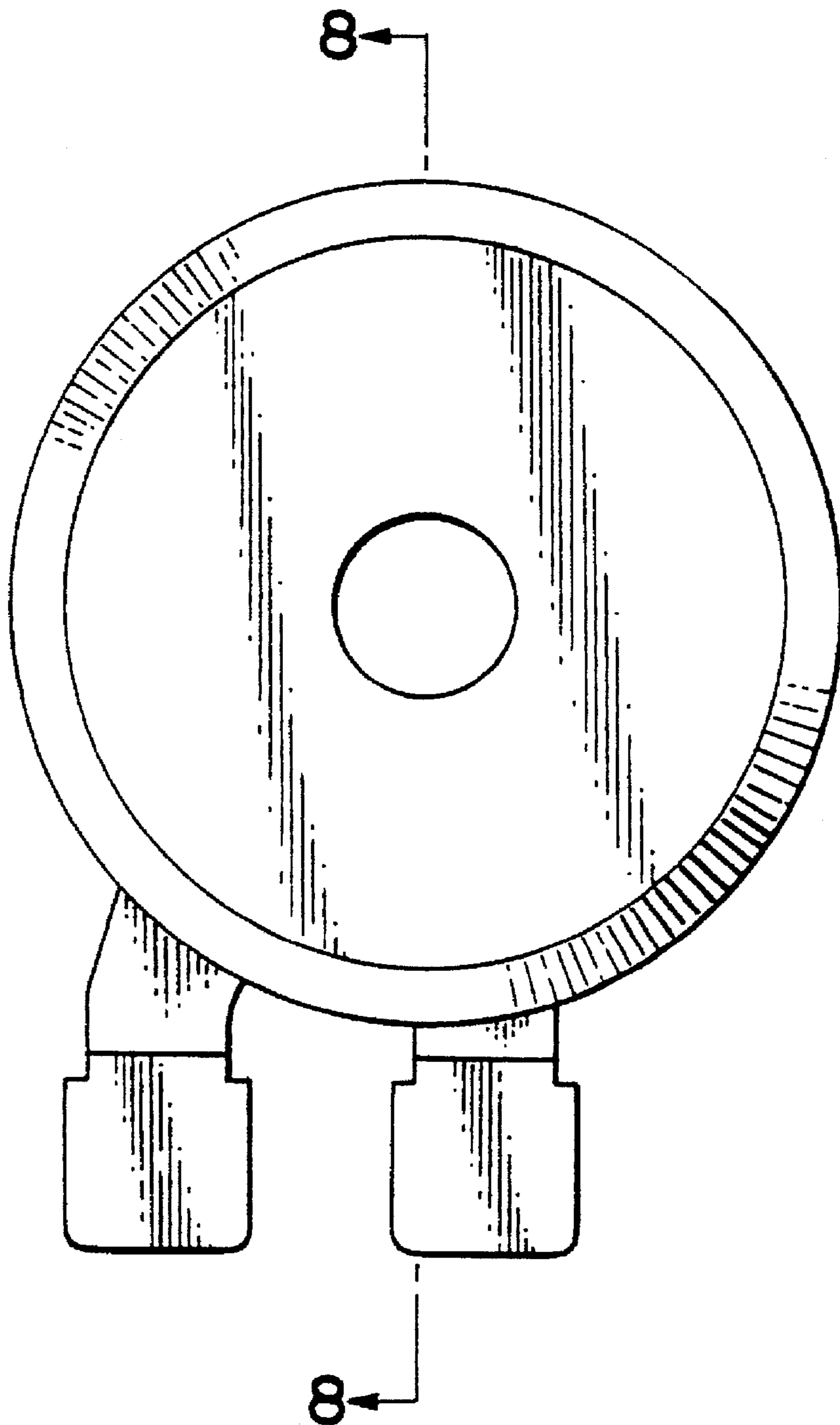


FIG. 3

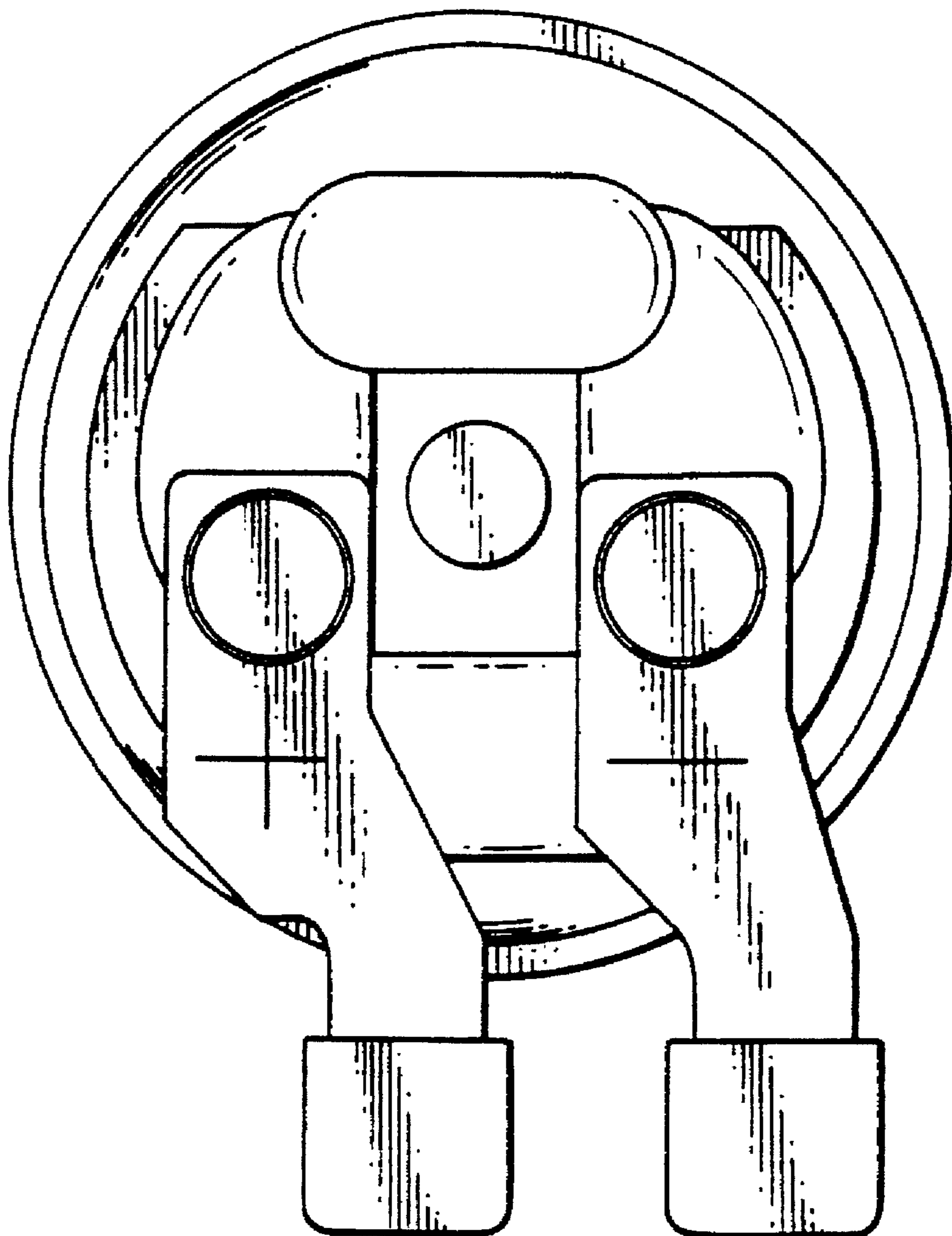


FIG. 4

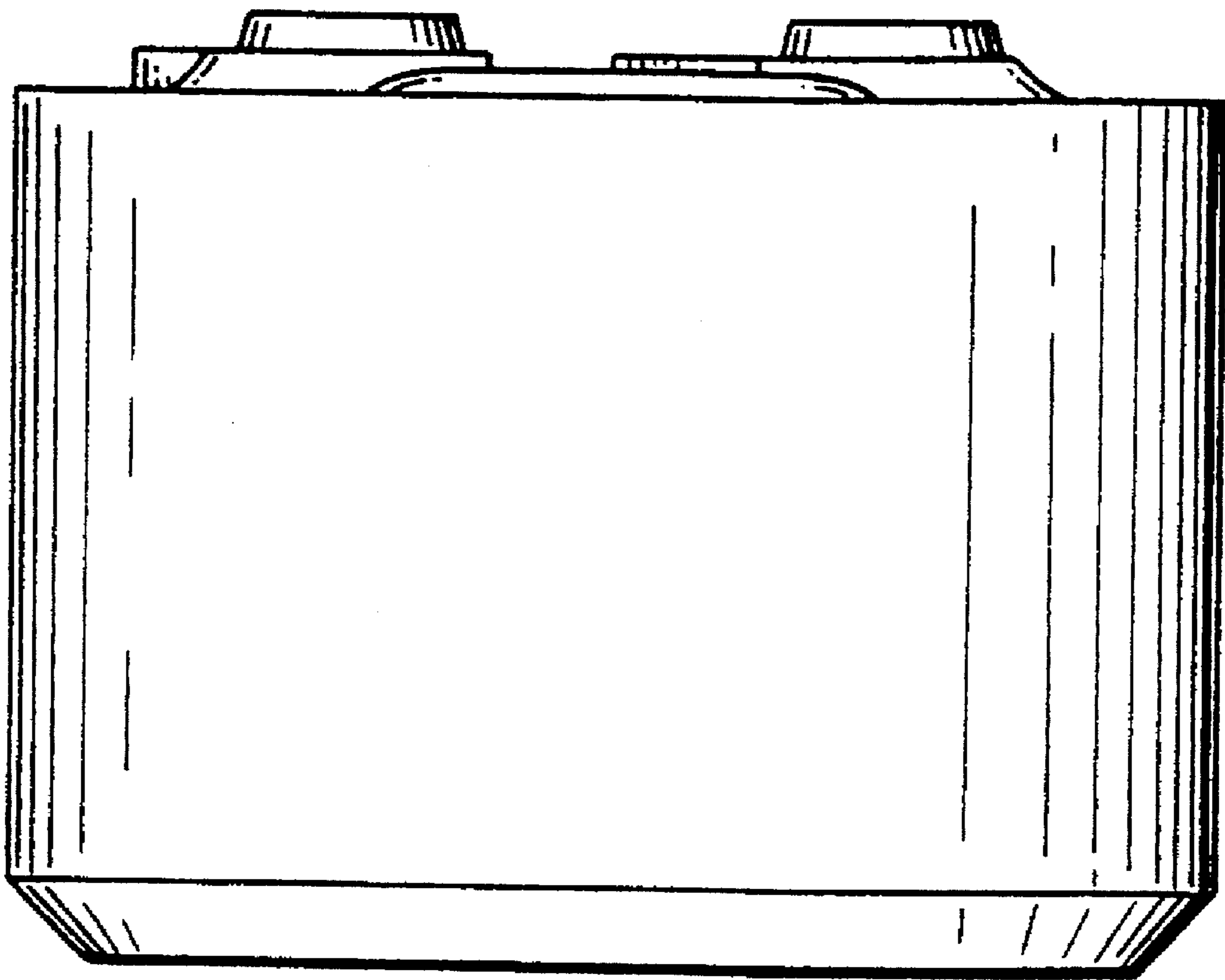


FIG. 5

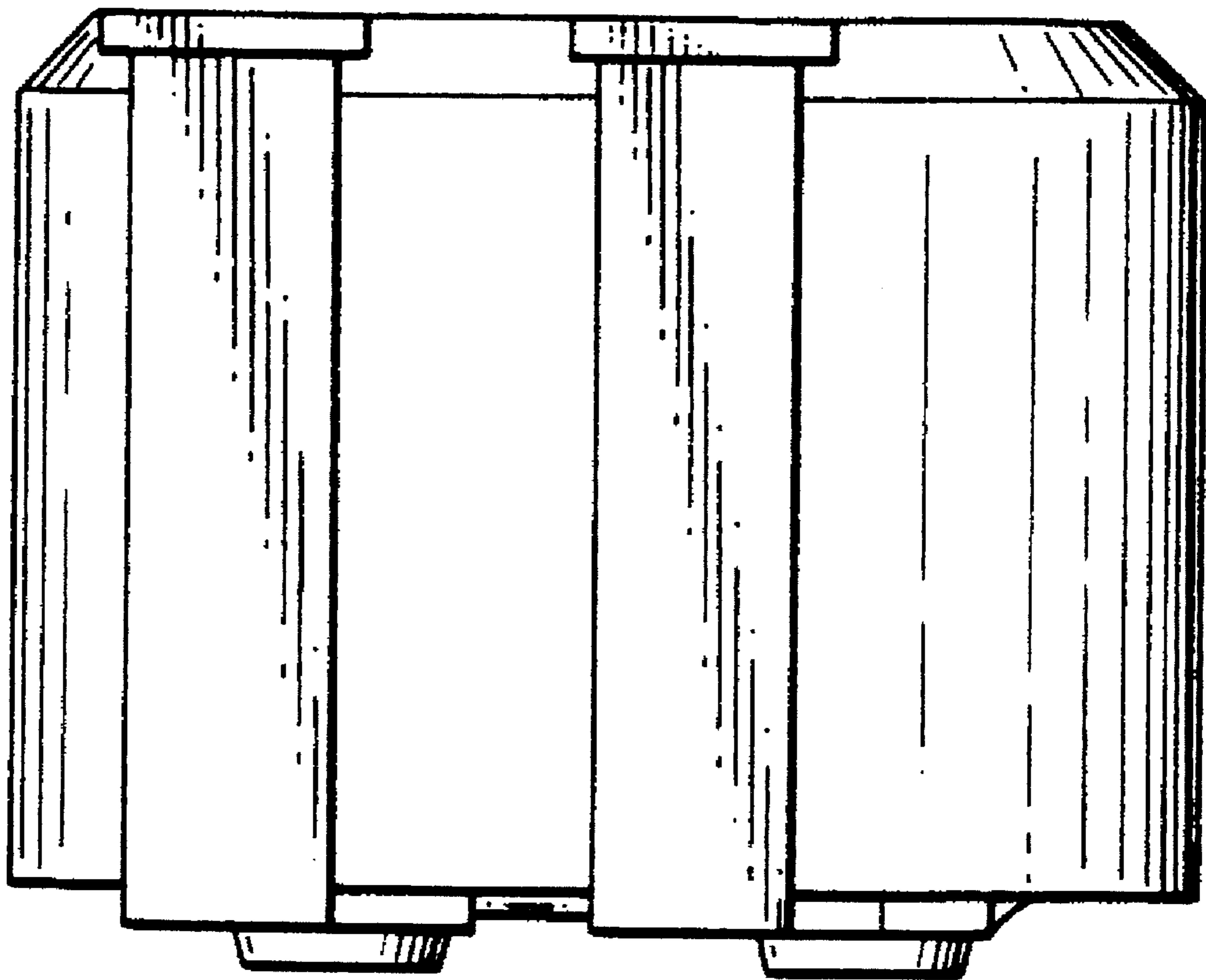


FIG. 6

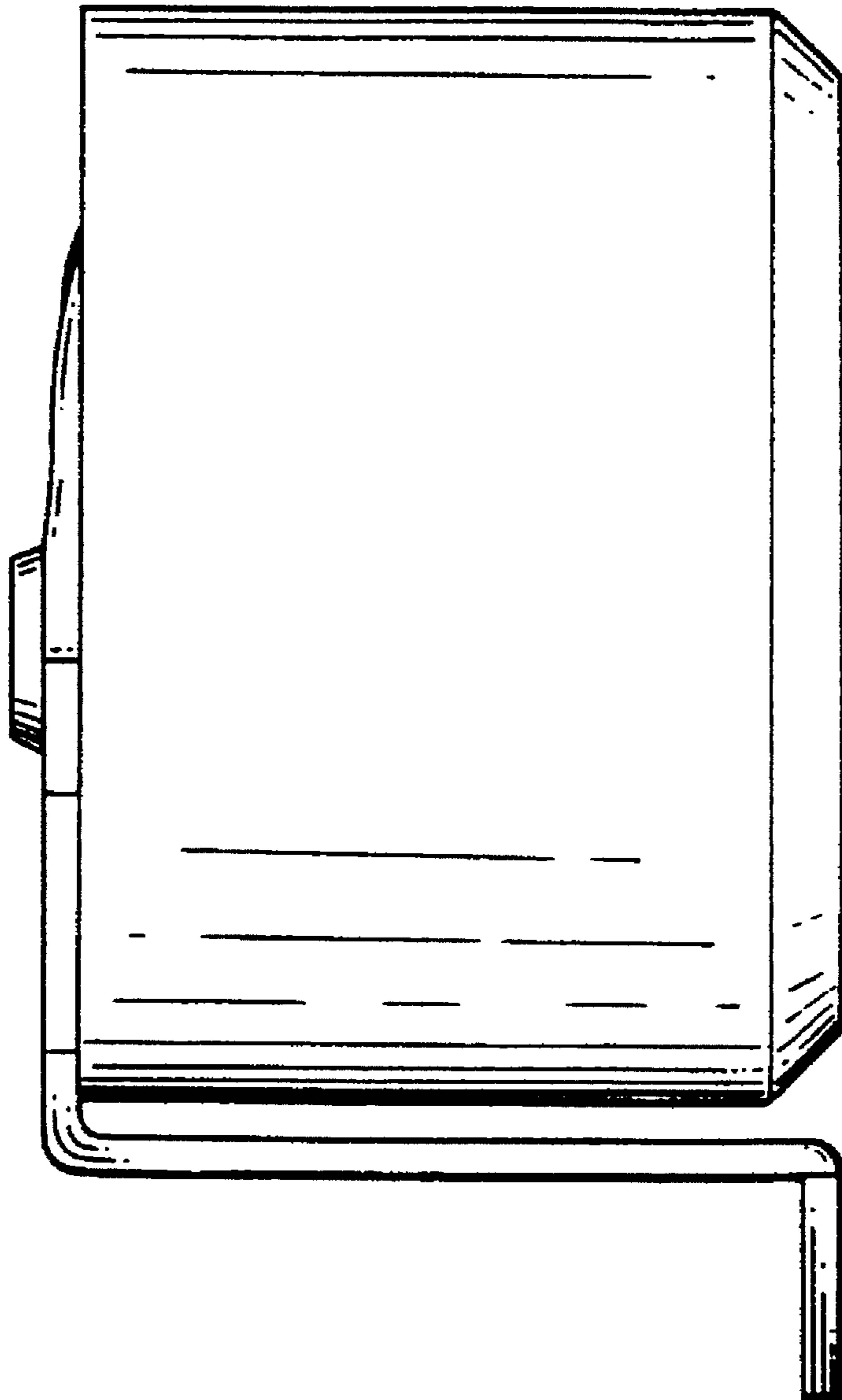


FIG. 7

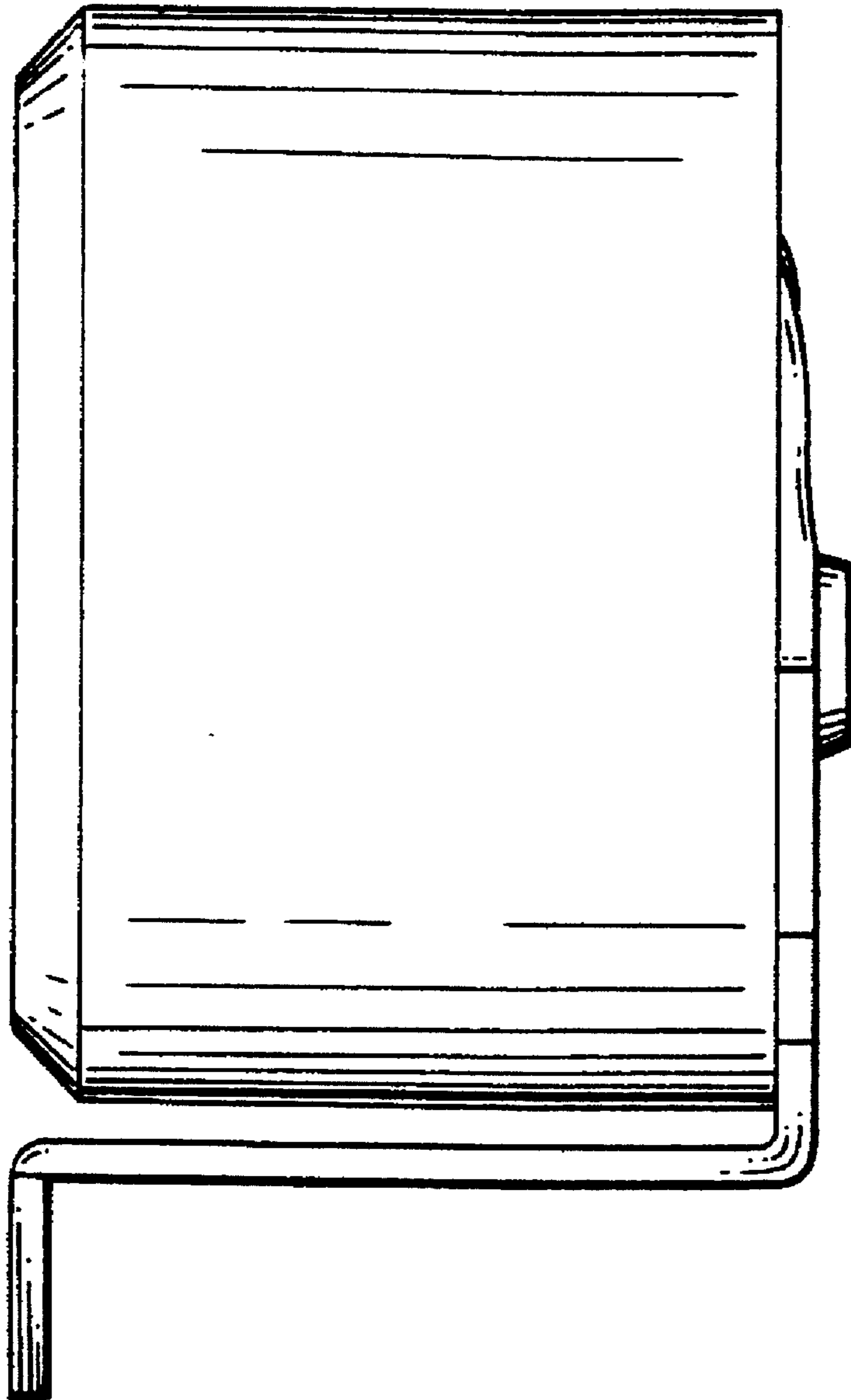


FIG. 8

