



US00D373964S

United States Patent [19]
Alexander

[11] **Patent Number: Des. 373,964**
[45] **Date of Patent: **Sep. 24, 1996**

[54] **MEDICATION ALARM**

D. 349,863 8/1994 Freedman D10/106
D. 359,989 7/1995 Sukovich D20/18

[76] Inventor: **Robert E. Alexander**, 673 Hahaione St., Honolulu, Hi. 96825

Primary Examiner—Marcus A. Jackson
Attorney, Agent, or Firm—Harpman & Harpman

[**] Term: **14 Years**

[57] **CLAIM**

[21] Appl. No.: **40,600**

The ornamental design for a medication alarm, as shown and described.

[22] Filed: **Jun. 22, 1995**

[52] U.S. Cl. **D10/106**; D10/31; D20/18

[58] Field of Search D10/104, 106, D10/116, 121, 31; D20/18; 40/107, 108, 109, 110; 340/540, 571, 572, 573, 689

DESCRIPTION

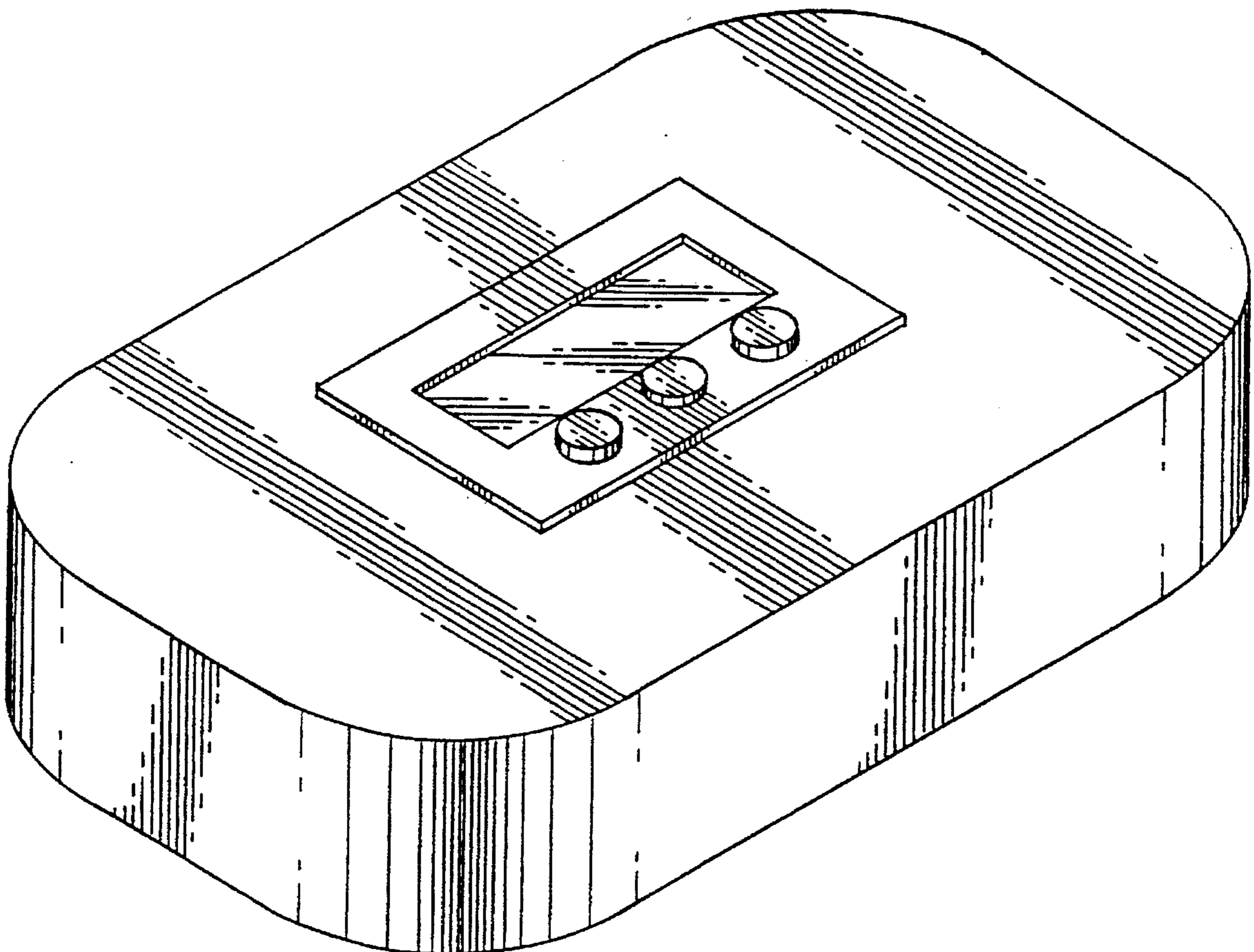
FIG. 1 is a front, top and side perspective view of the medication alarm embodying the design of the present invention;
FIG. 2 is a front elevational view thereof;
FIG. 3 is a side elevational view thereof, the opposite side elevational view being identical thereto;
FIG. 4 is a top plan view thereof; and,
FIG. 5 is a bottom plan view thereof.

[56] **References Cited**

U.S. PATENT DOCUMENTS

D. 281,176 10/1985 Sukovich D20/18
D. 319,031 8/1991 Levinson D10/106
D. 321,330 11/1991 Gagnon et al. D10/106
D. 336,053 6/1993 Hayes et al. D10/106

1 Claim, 2 Drawing Sheets



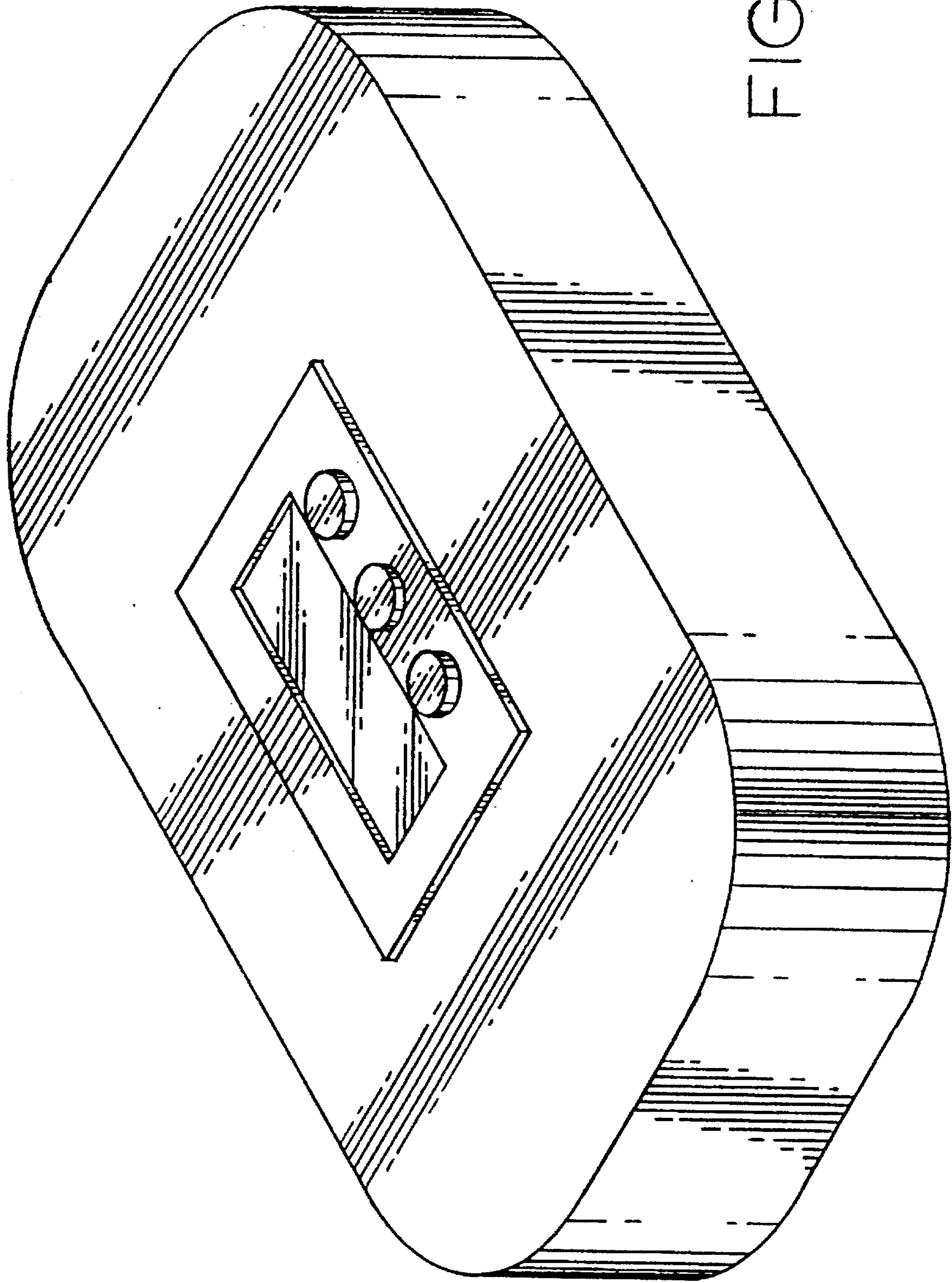


FIG. 1

FIG. 3

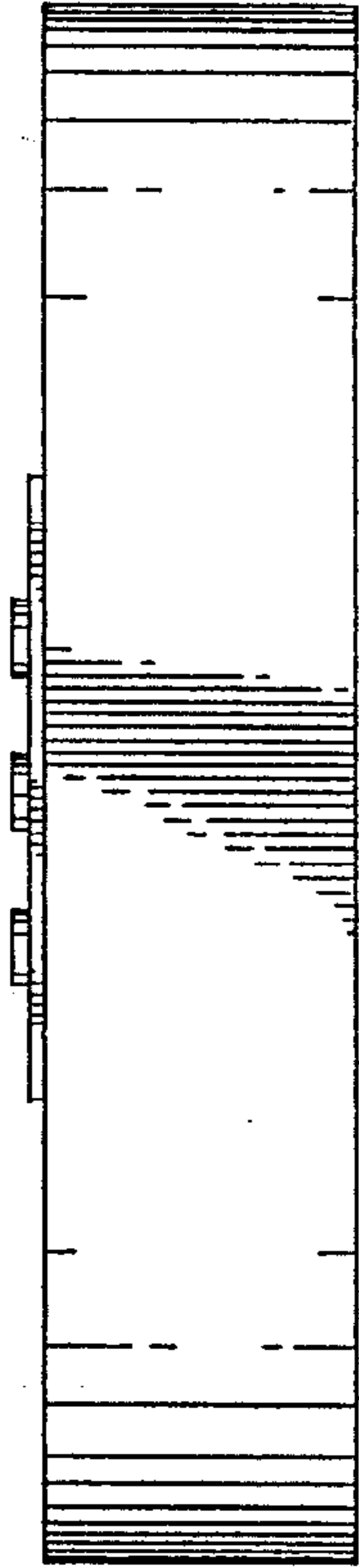


FIG. 2

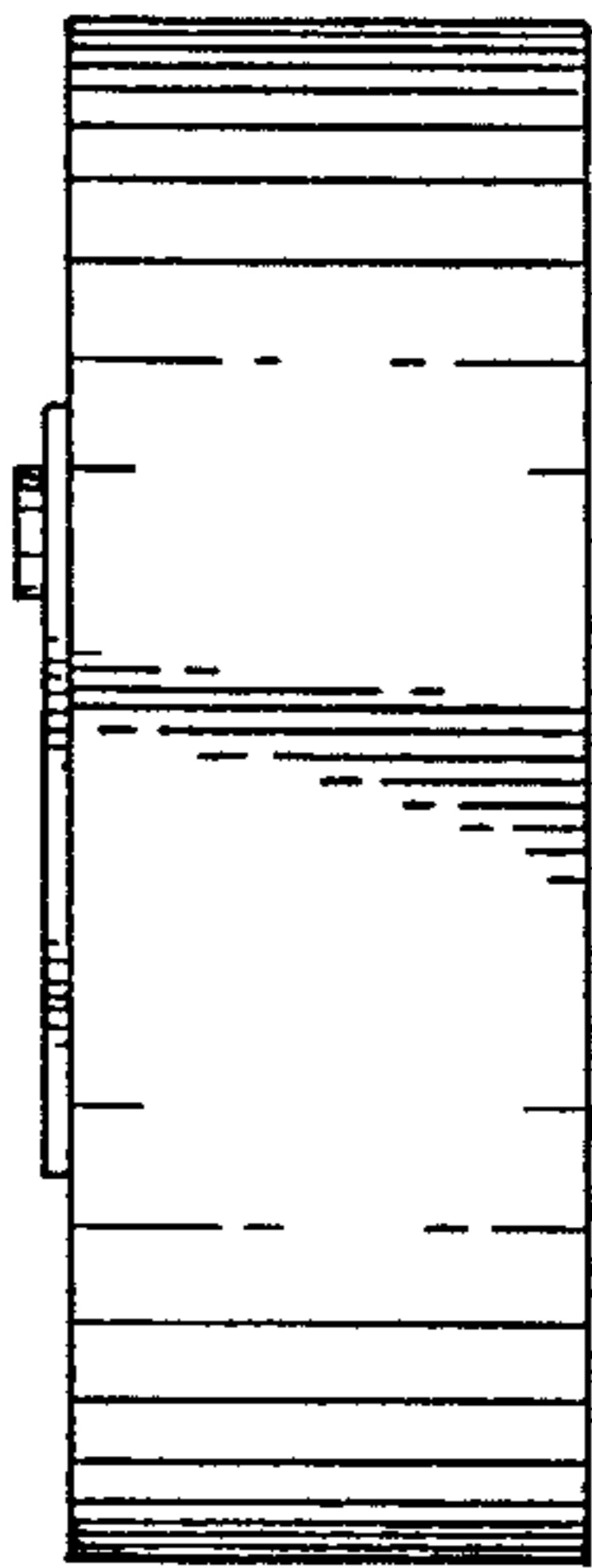


FIG. 5

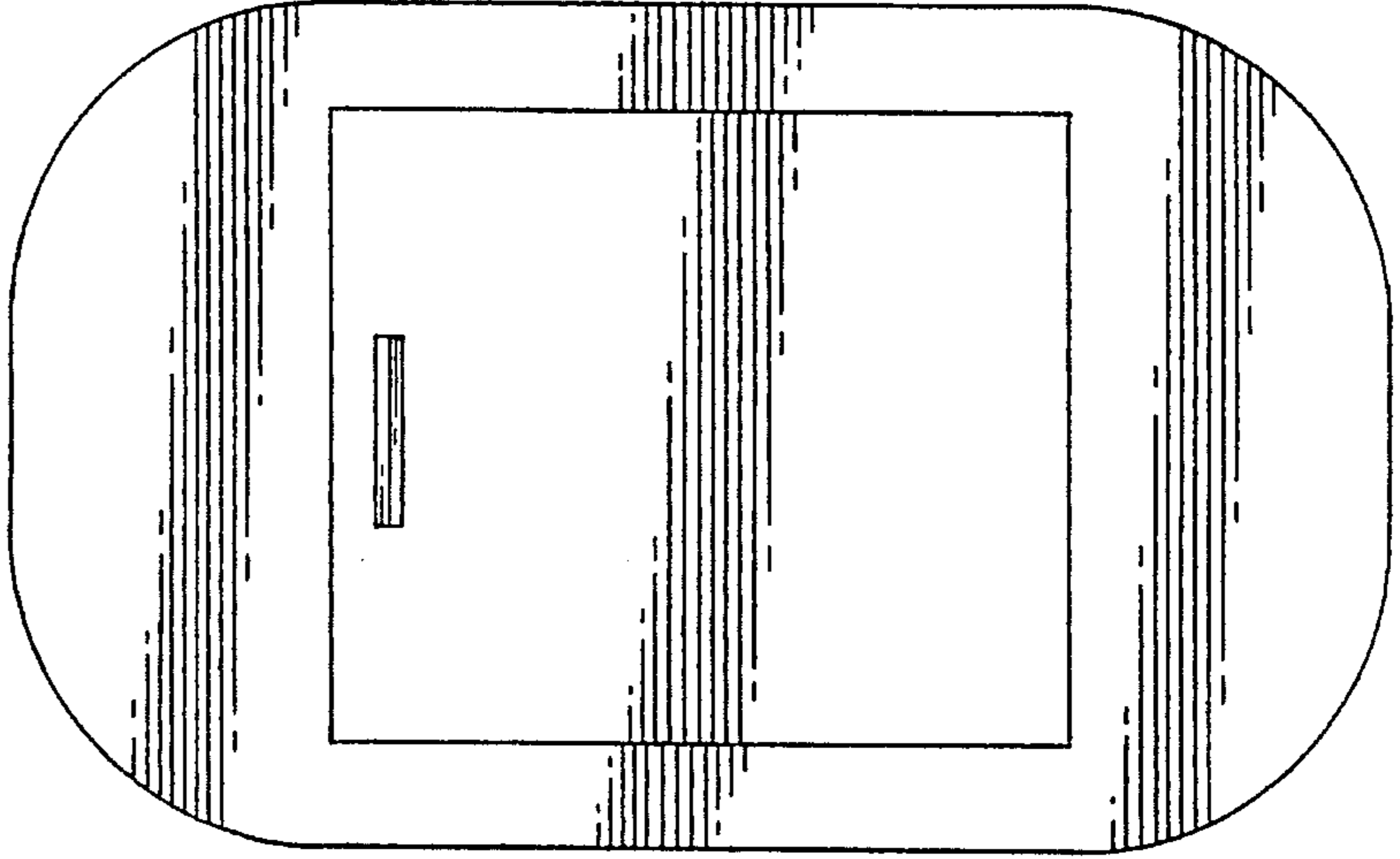


FIG. 4

