



US00D373957S

United States Patent [19]
Mareschal

[11] **Patent Number:** **Des. 373,957**
[45] **Date of Patent:** ****Sep. 24, 1996**

[54] **WATCH-CASE**

[76] **Inventor:** **Jean-Christophe Mareschal**, Le Chateau, 70600 Oyrieres, France

[**] **Term:** **14 Years**

[21] **Appl. No.:** **19,347**

[22] **Filed:** **Mar. 1, 1994**

[30] **Foreign Application Priority Data**

Sep. 3, 1993 [FR] France 934513

[52] **U.S. Cl.** **D10/30**

[58] **Field of Search** D10/1-40, 122-132;
368/280-282, 276-277, 285

[56] **References Cited**

U.S. PATENT DOCUMENTS

- D. 264,188 5/1982 Bulgari D10/39
- D. 295,841 5/1988 Kano D10/39
- D. 334,890 4/1993 Meyer D10/30
- D. 350,288 9/1994 Giardiello D10/30

FOREIGN PATENT DOCUMENTS

- 1259766 3/1961 France D10/30
- 248539 5/1947 Switzerland D10/126

OTHER PUBLICATIONS

Swiss Watch & Jewelry Journal-Feb. 1989 p. 471-watch at center.

Primary Examiner-Nelson C. Holtje
Attorney, Agent, or Firm-Pollock, Vandē Sande & Priddy

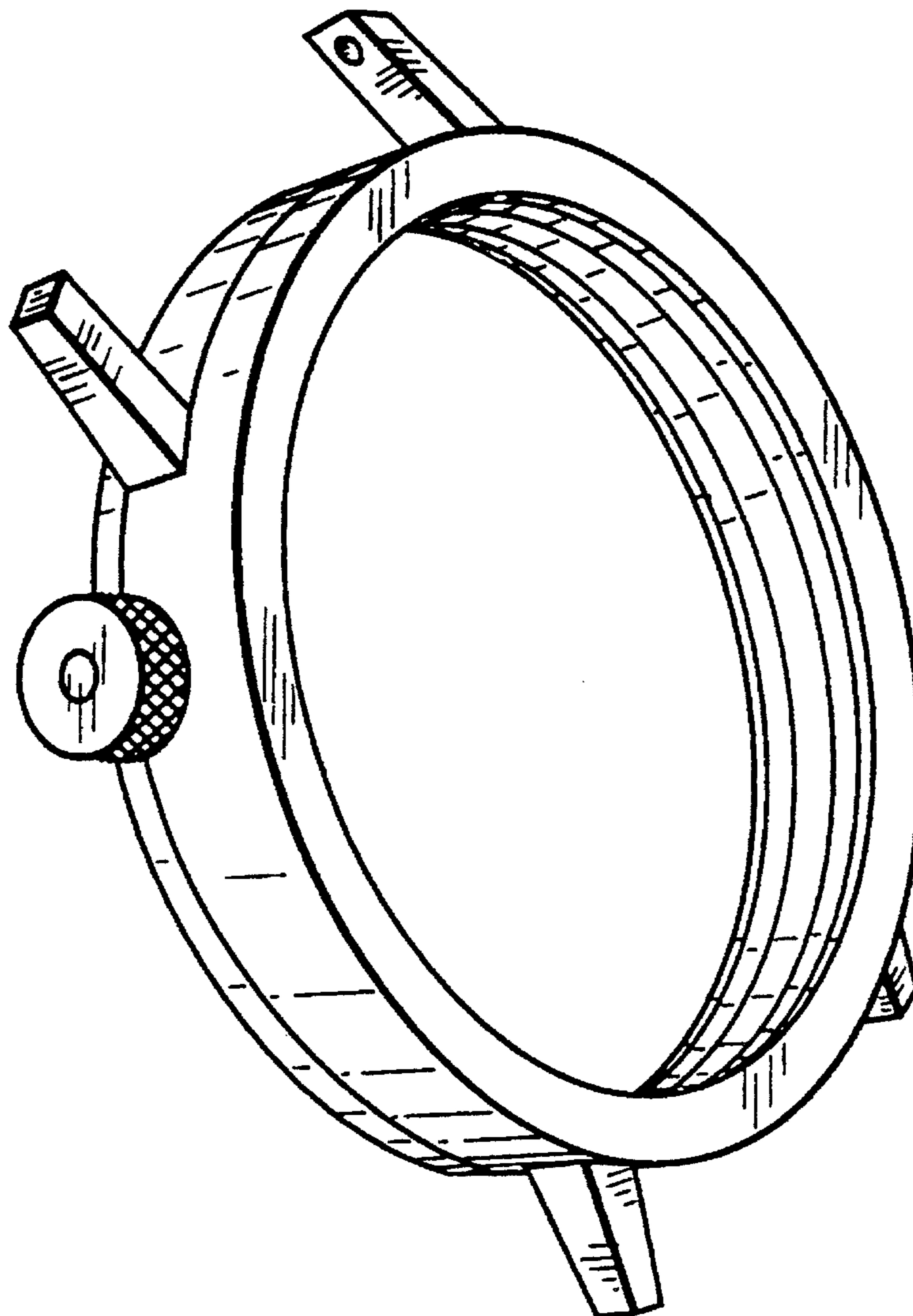
[57] **CLAIM**

The ornamental design for a watch-case, as shown and described.

DESCRIPTION

FIG. 1 is a top view of a watch-case showing my new design;
FIG. 2 is a side view thereof;
FIG. 3 is a sectional view along line 3-3 of FIG. 1; and,
FIG. 4 is an inverted perspective view of FIG. 1.

1 Claim, 2 Drawing Sheets



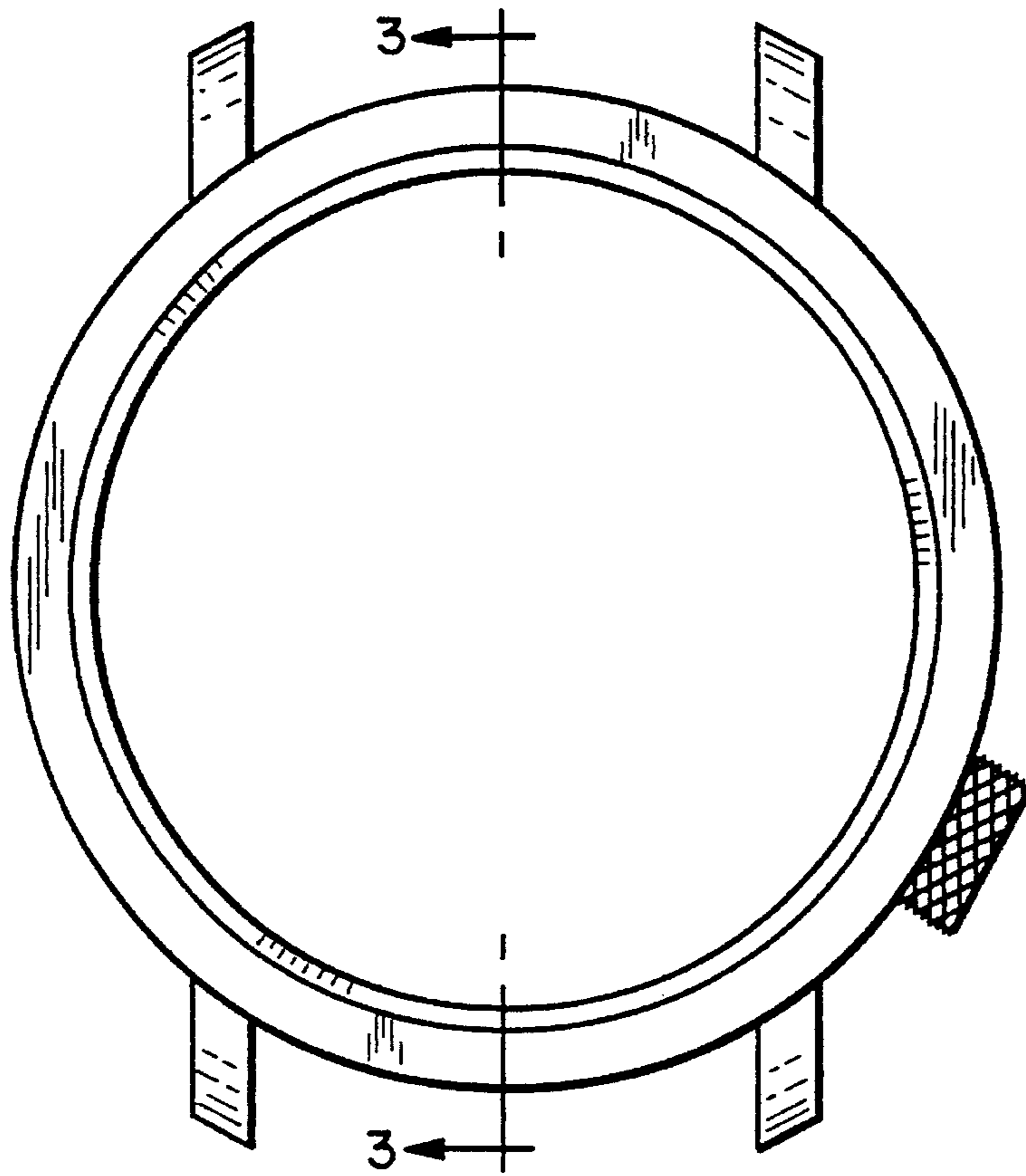


FIG. 1

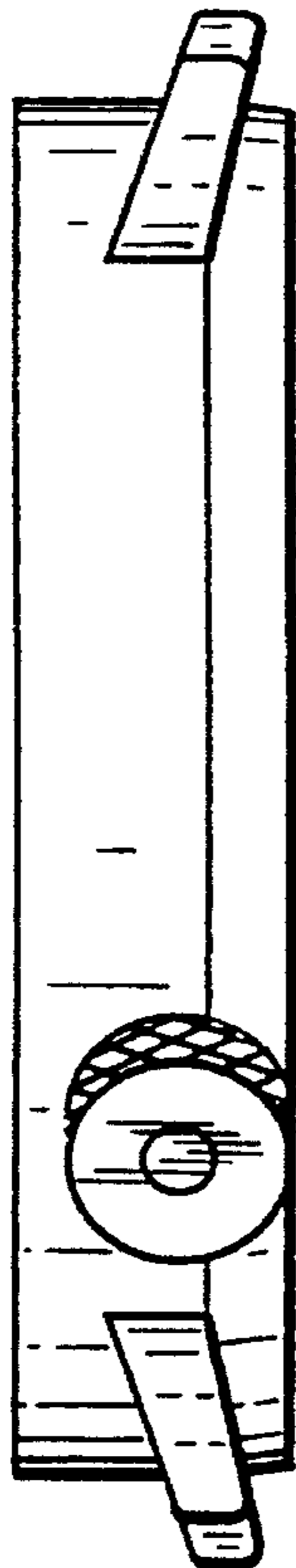


FIG. 2

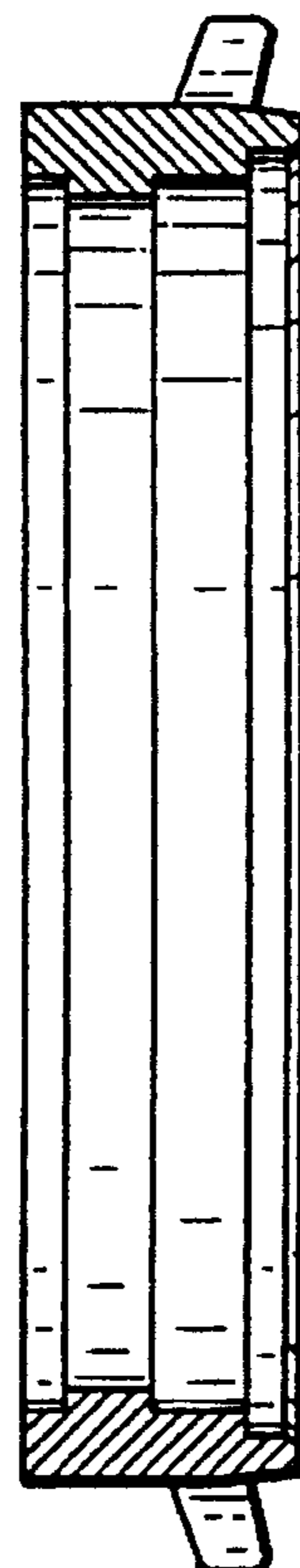


FIG. 3

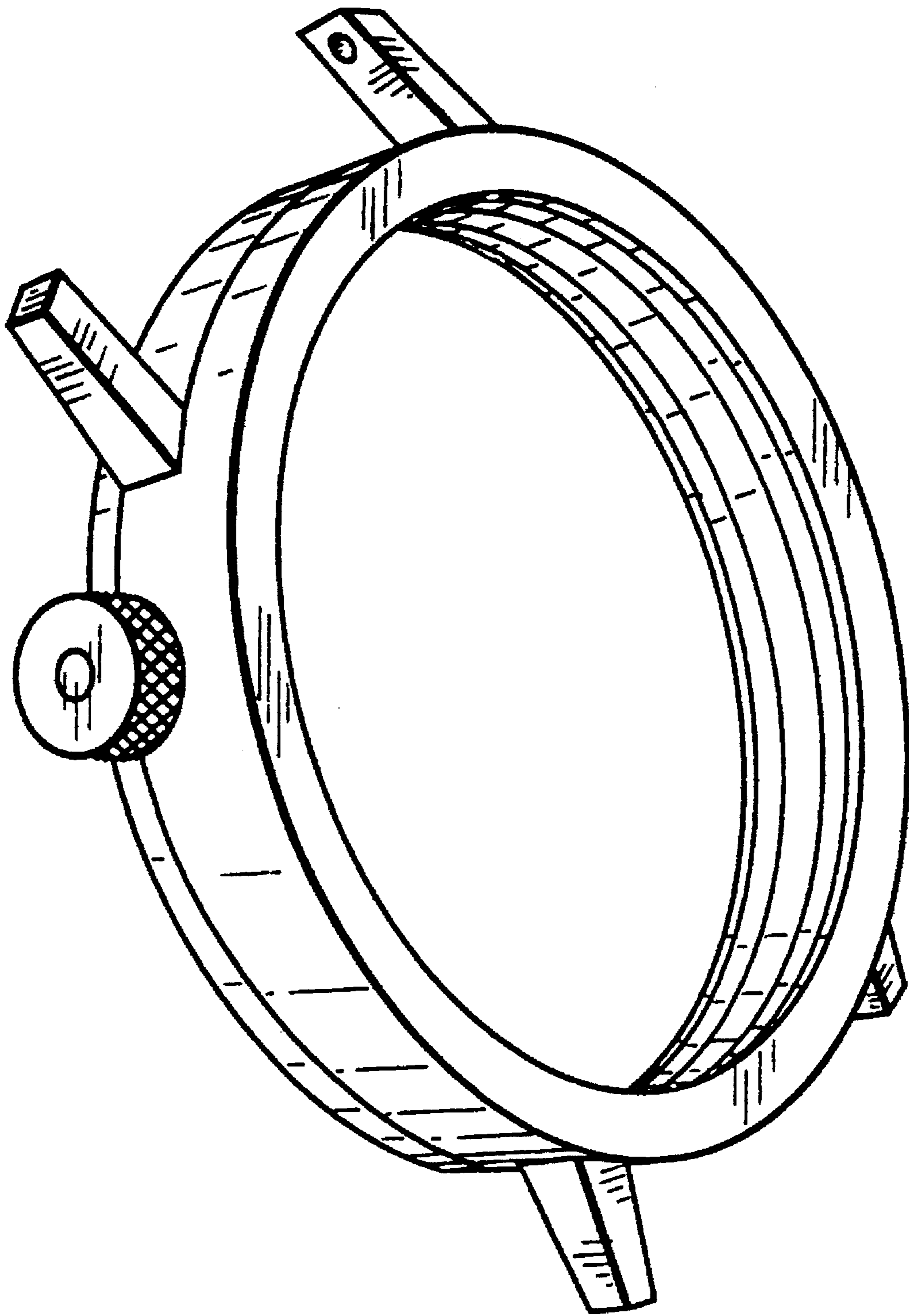


FIG.4