



US00D373954S

# United States Patent [19] Wolff

[11] Patent Number: Des. 373,954

[45] Date of Patent: \*\*Sep. 24, 1996

## [54] WREATH STORAGE BOX

[75] Inventor: Stacy L. Wolff, Akron, Ohio

[73] Assignee: Rubbermaid Incorporated, Wooster, Ohio

[\*\*] Term: 14 Years

[21] Appl. No.: 38,424

[22] Filed: May 5, 1995

[52] U.S. Cl. .... D9/429; D9/428

[58] Field of Search ..... D9/415, 418, 428, D9/429, 431, 337, 424, 425; D7/629; 220/4.24, 4.25, 4.26, 4.27, 556, 376, 377, 380, 675, 662, 306, 307, 260, 263, 356; D11/120

## [56] References Cited

### U.S. PATENT DOCUMENTS

D. 168,835	2/1953	Freeman	.....	D9/428
D. 269,323	6/1983	Cillario	.....	D9/424
D. 320,743	10/1991	Alexander et al.	.....	D9/425
D. 340,625	10/1993	Wang	.....	D9/629
D. 341,501	11/1993	Tiramani et al.	.....	D6/536
D. 345,305	3/1994	Host	.....	D9/423
D. 349,207	8/1994	Wolff	.....	D6/536
2,681,142	6/1954	Cohen	.....	220/4.25 X
4,061,241	12/1977	Retelny	.....	220/4.25 X
4,795,056	1/1989	Meyers	.....	220/281 X
5,037,679	8/1991	Noble, Jr.	.....	D11/120 X

## FOREIGN PATENT DOCUMENTS

1074246 10/1954 France ..... 220/4.25

## OTHER PUBLICATIONS

Package Engineering, Feb. 1980, p. 55.

Modern Packaging, Nov. 1958, p. 348.

Primary Examiner—Prabhakar G. Deshmukh

Attorney, Agent, or Firm—Richard B. O'Planick; Lisa B. Riedesel

## [57] CLAIM

The ornamental design for a wreath storage box, as shown and described.

## DESCRIPTION

FIG. 1 is a top left front perspective view of a wreath storage box showing my new design;

FIG. 2 is a front elevational view thereof;

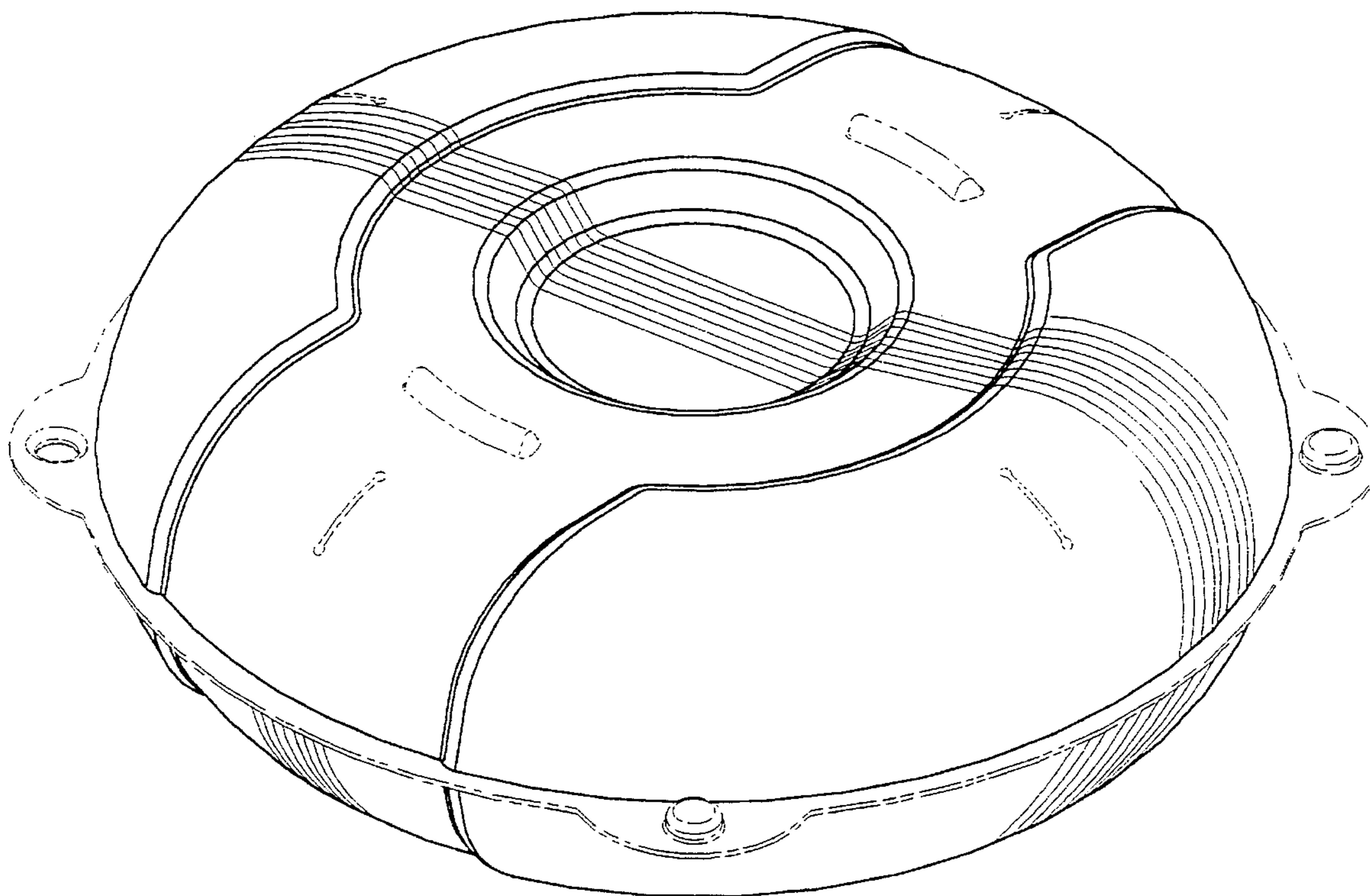
FIG. 3 is a top plan view thereof; the bottom plan view being a mirror image;

FIG. 4 is a left side elevational view thereof; the right side elevational view being a mirror image; and,

FIG. 5 is a rear elevational view thereof.

The broken line showing of environmental features is for illustrative purposes only and forms no part of the claimed design.

1 Claim, 3 Drawing Sheets



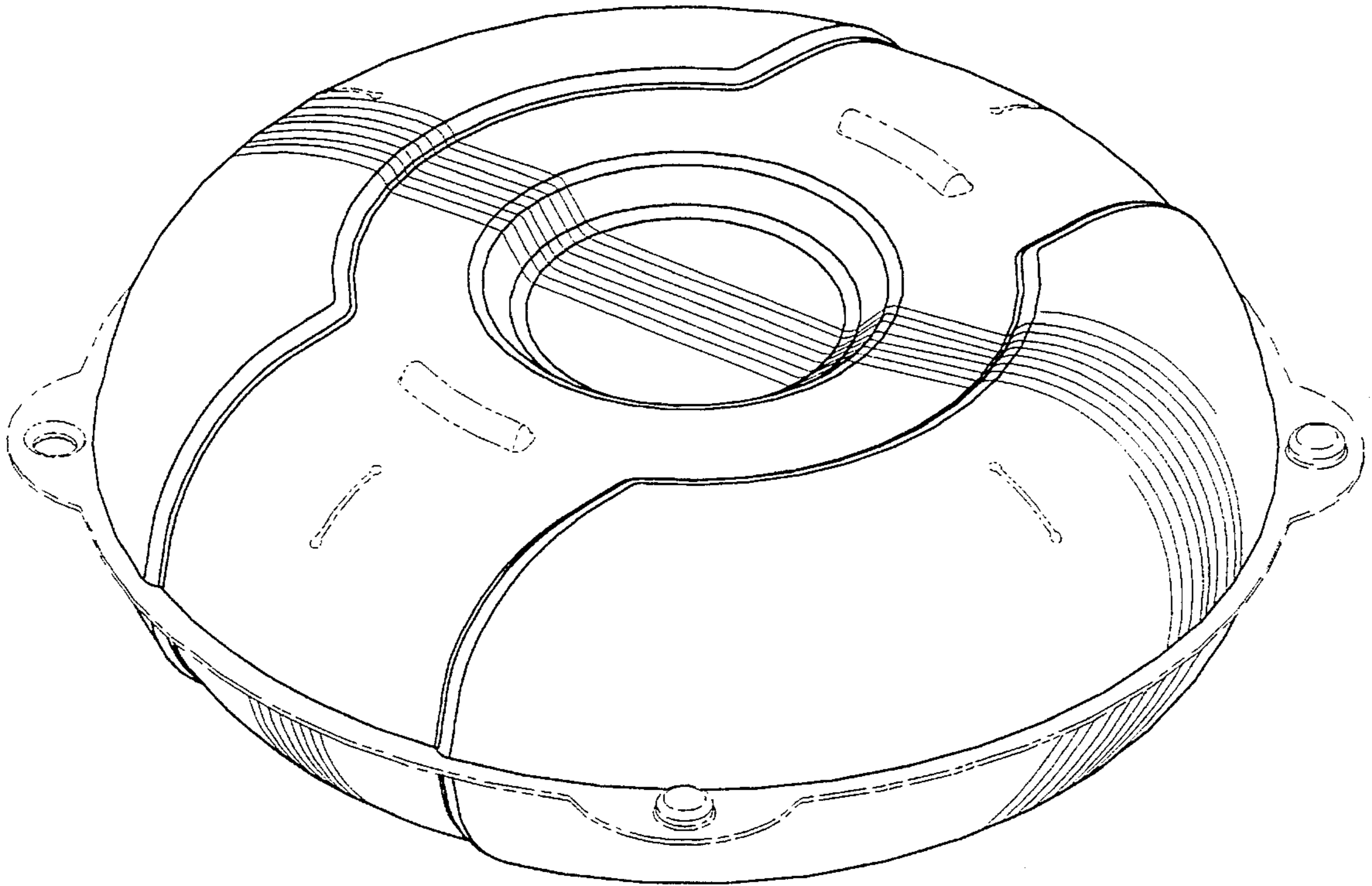


Fig-1

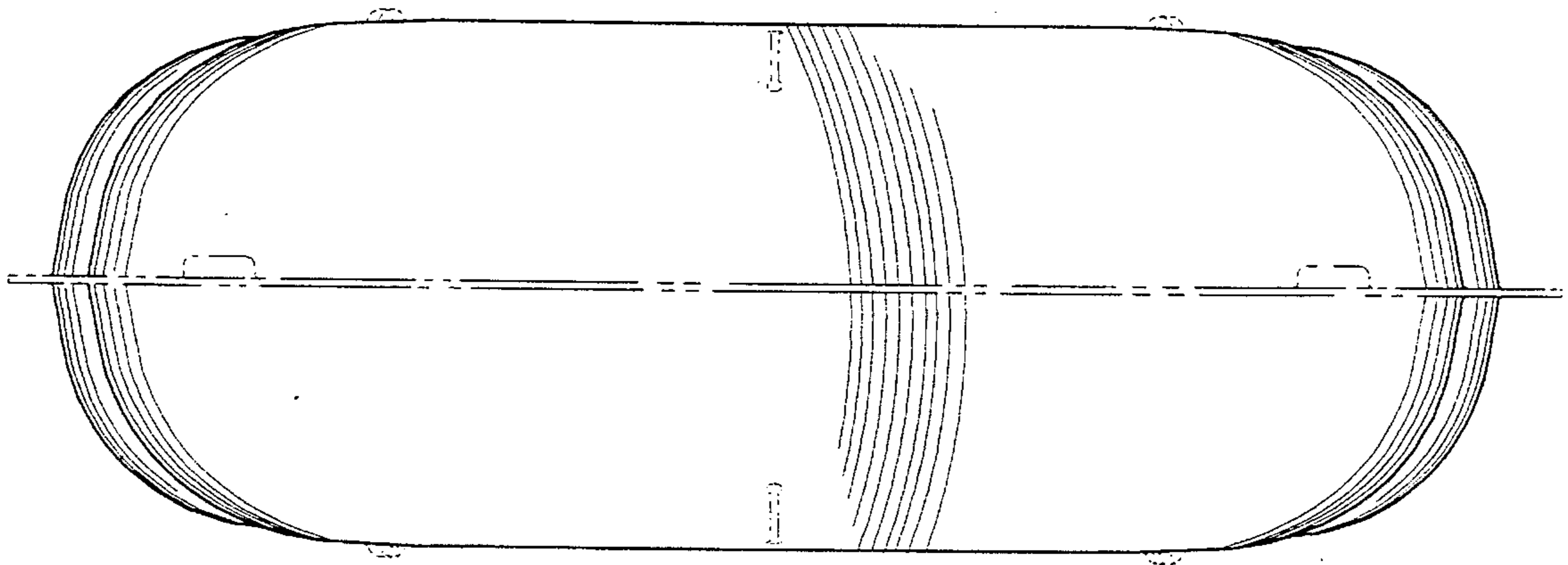


Fig-2

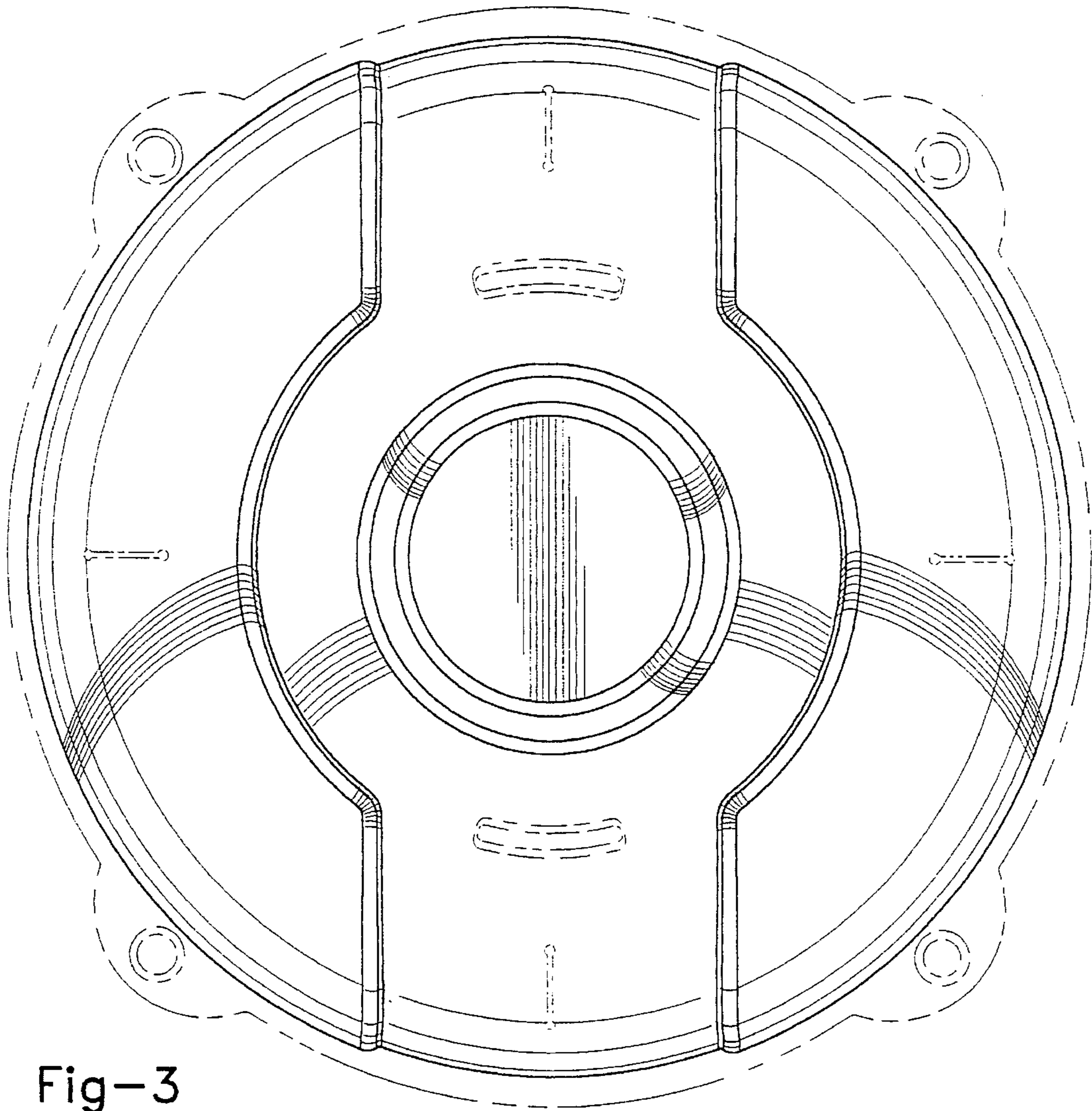


Fig-3

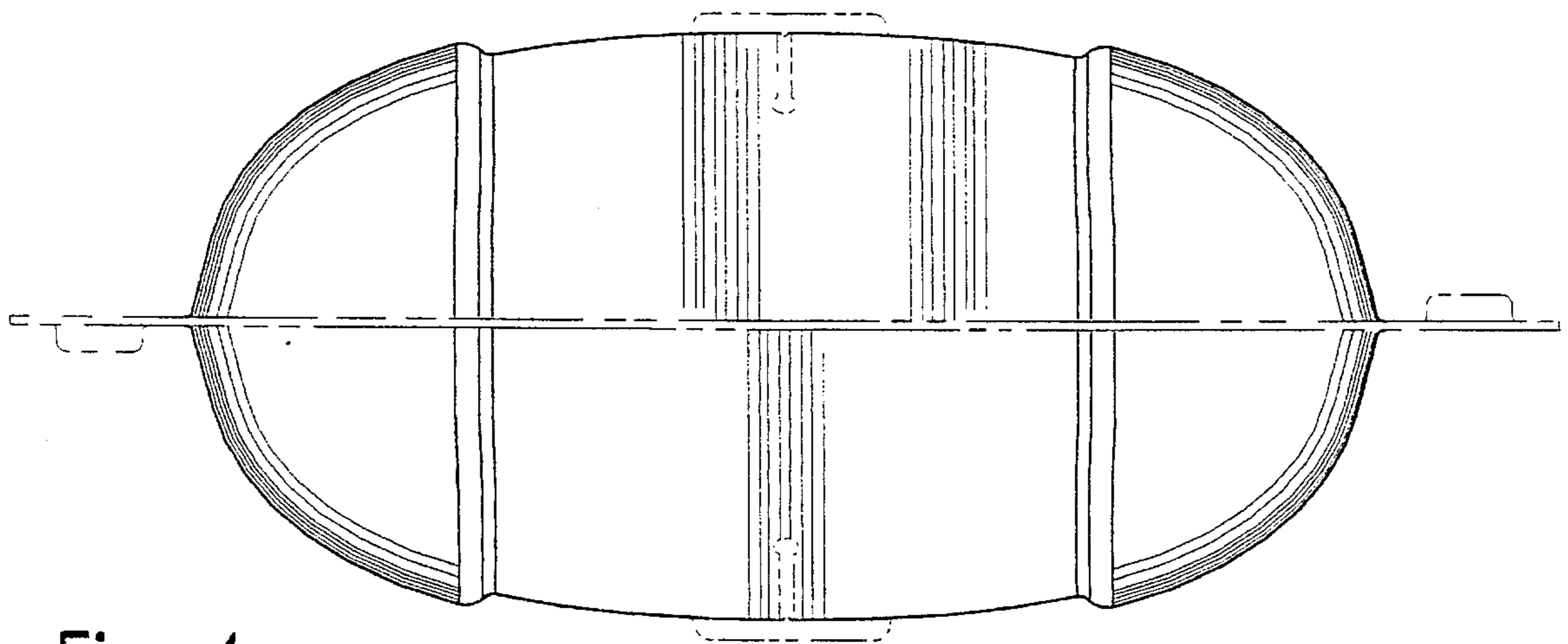


Fig-4

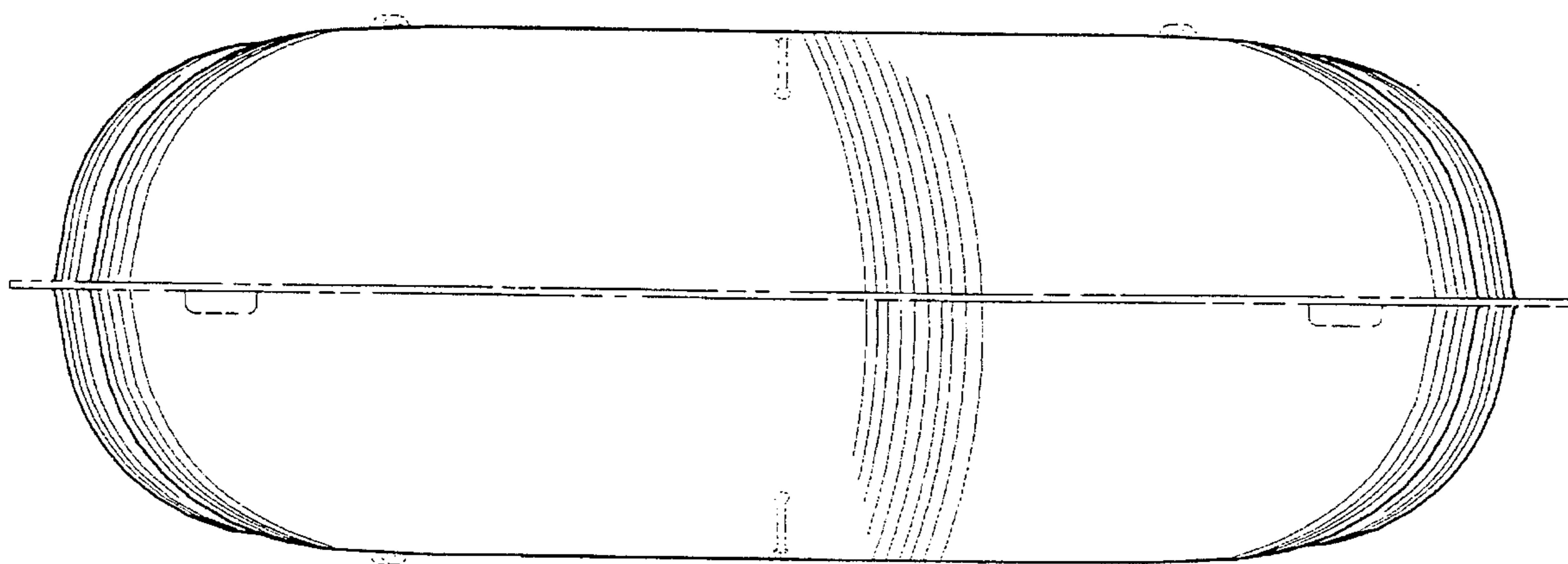


Fig-5