



US00D373953S

United States Patent [19] Gale

[11] Patent Number: **Des. 373,953**

[45] Date of Patent: ****Sep. 24, 1996**

[54] STORAGE CONTAINER WITH LID

[75] Inventor: **Bradley D. Gale**, St. Louis, Mo.

[73] Assignee: **Contico International Inc.**, St. Louis, Mo.

[**] Term: **14 Years**

[21] Appl. No.: **37,369**

[22] Filed: **Apr. 11, 1995**

[52] U.S. Cl. **D9/425; D9/432; D7/629**

[58] Field of Search **D3/272, 273; D9/423, D9/424, 425, 432; D7/605, 629; 206/508; 220/253, 307, 345, 351, 356, 363, 380**

[56] **References Cited**

U.S. PATENT DOCUMENTS

D. 319,016	8/1991	Kahl	D7/605
D. 325,323	4/1992	Kahl	D9/424
D. 325,324	4/1992	Kahl	D7/605
D. 326,815	6/1992	Meisner	D9/424
D. 328,425	8/1992	Brightbill	D9/424
D. 329,747	9/1992	Embree	D9/424
D. 331,859	12/1992	Kahl	D7/393
D. 334,114	3/1993	Narsutis	D7/629

D. 343,795	2/1994	Verchere	D9/425
D. 349,646	8/1994	Dickinson	D9/425
D. 351,090	10/1994	Narsutis	D7/629
D. 351,284	10/1994	Kruger	D3/314
D. 351,999	11/1994	Krupa	D9/425
5,065,885	11/1991	Scaroni	220/326
5,356,026	10/1994	Andress et al.	220/306
5,366,104	11/1994	Armstrong	220/239

Primary Examiner—Philip S. Hyder
Attorney, Agent, or Firm—Howell & Haferkamp, L.C.

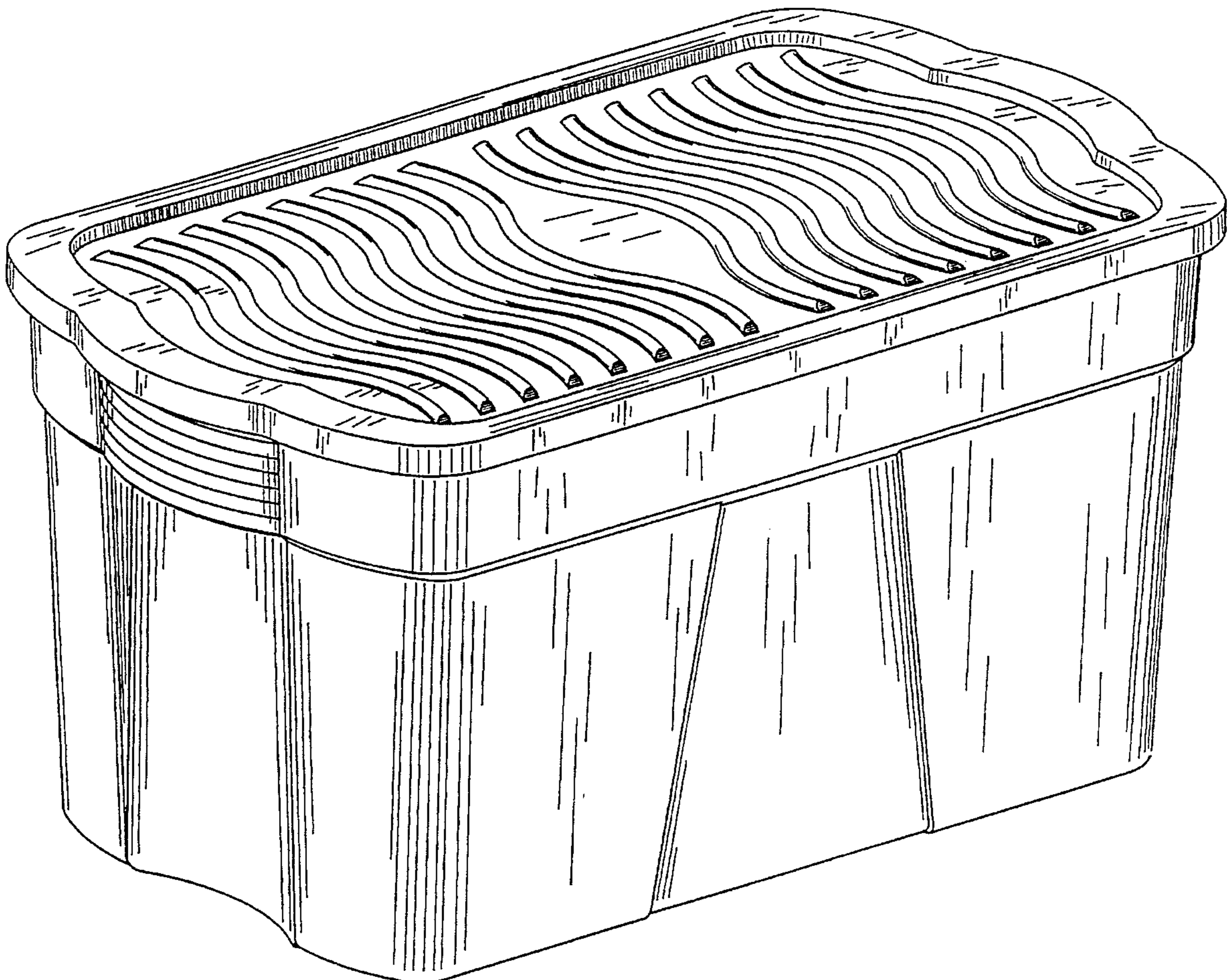
[57] **CLAIM**

The ornamental design for a storage container with lid, as shown and described.

DESCRIPTION

FIG. 1 is an orthographic projection of the storage container with lid showing our new design;
FIG. 2 is a top plan view thereof;
FIG. 3 is a front elevation thereof, the rear elevation view being a mirror image thereof;
FIG. 4 is a bottom plan view thereof; and,
FIG. 5 is a right side elevation view thereof, the left side elevation view being a mirror image thereof.

1 Claim, 3 Drawing Sheets



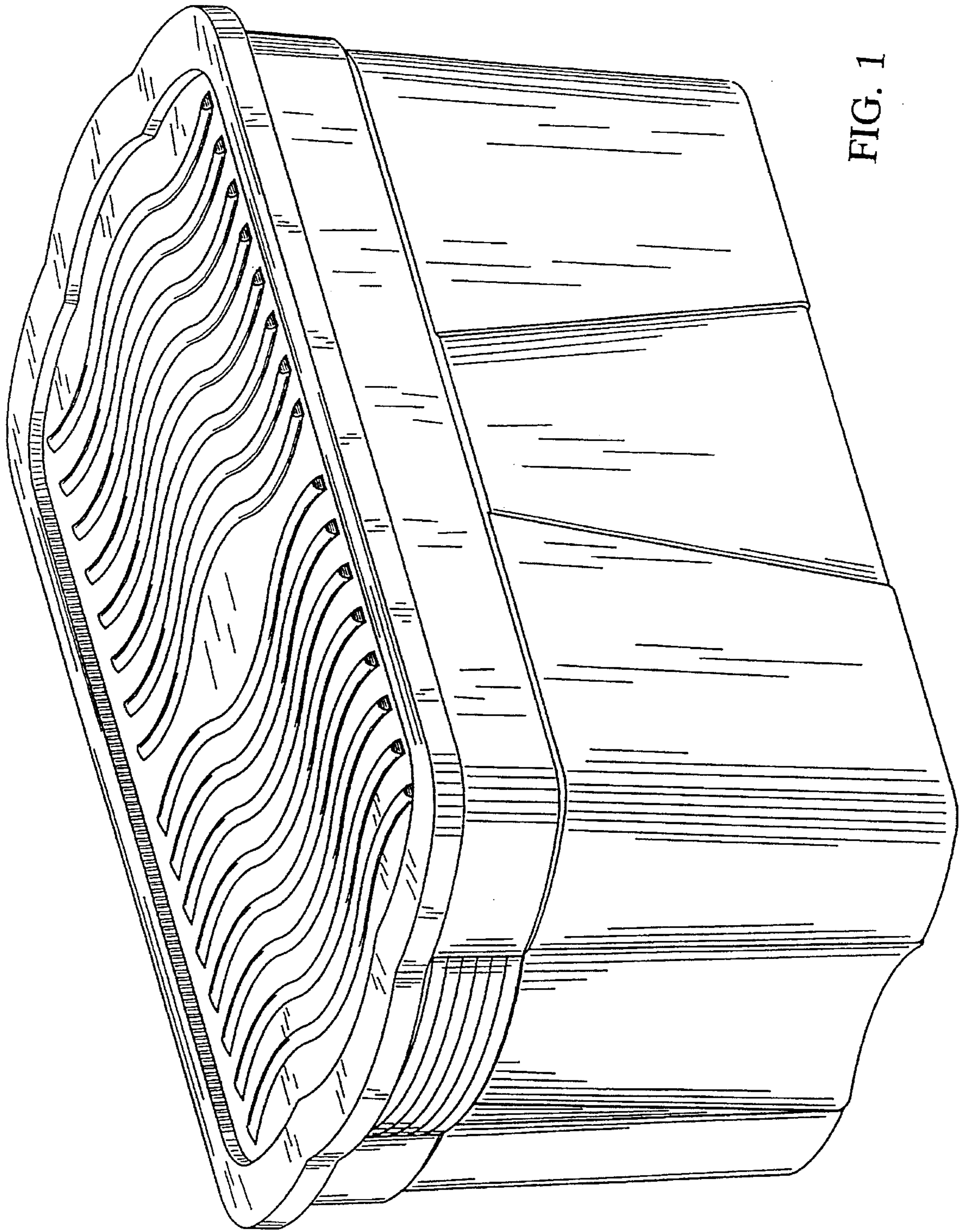


FIG. 1

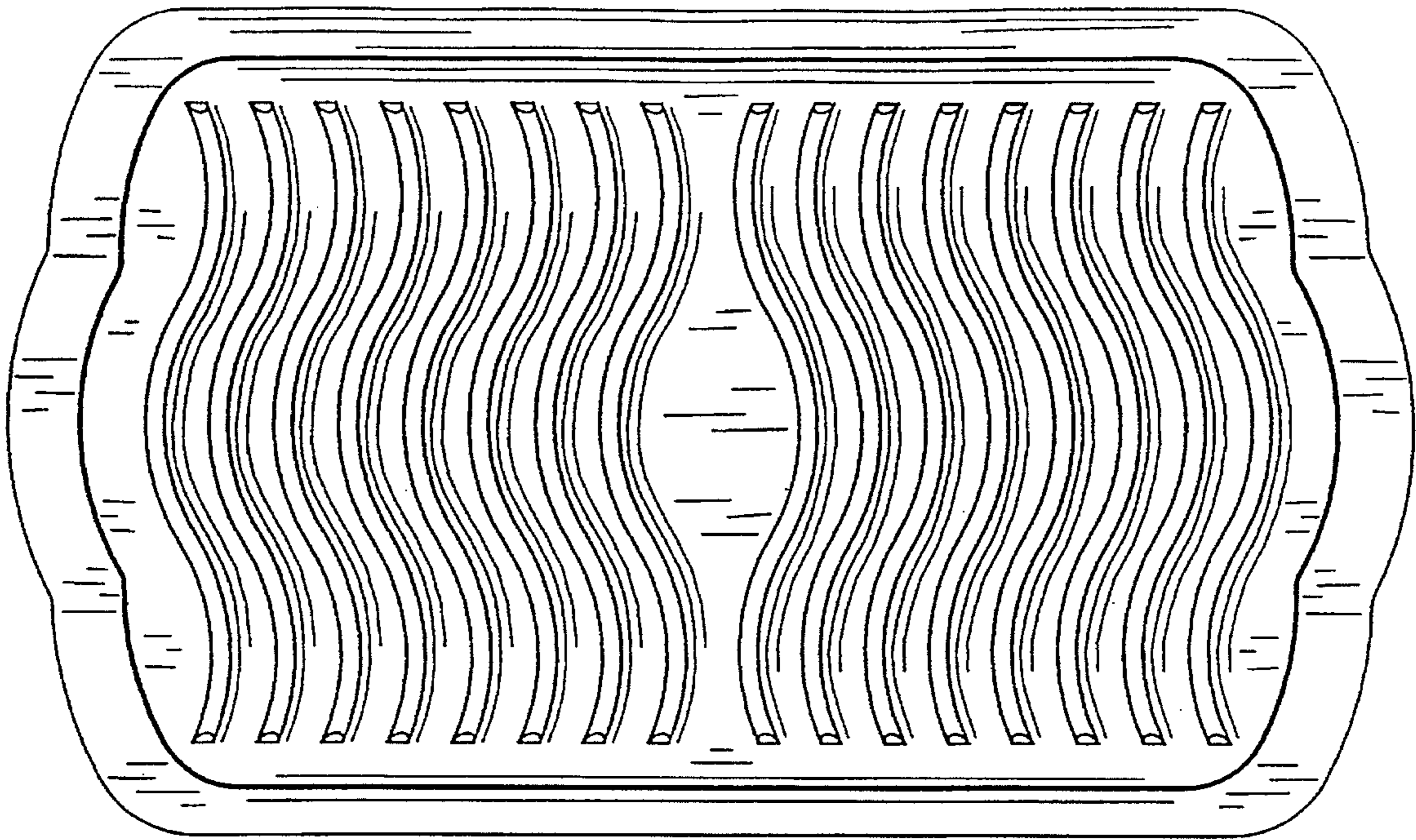


FIG. 2

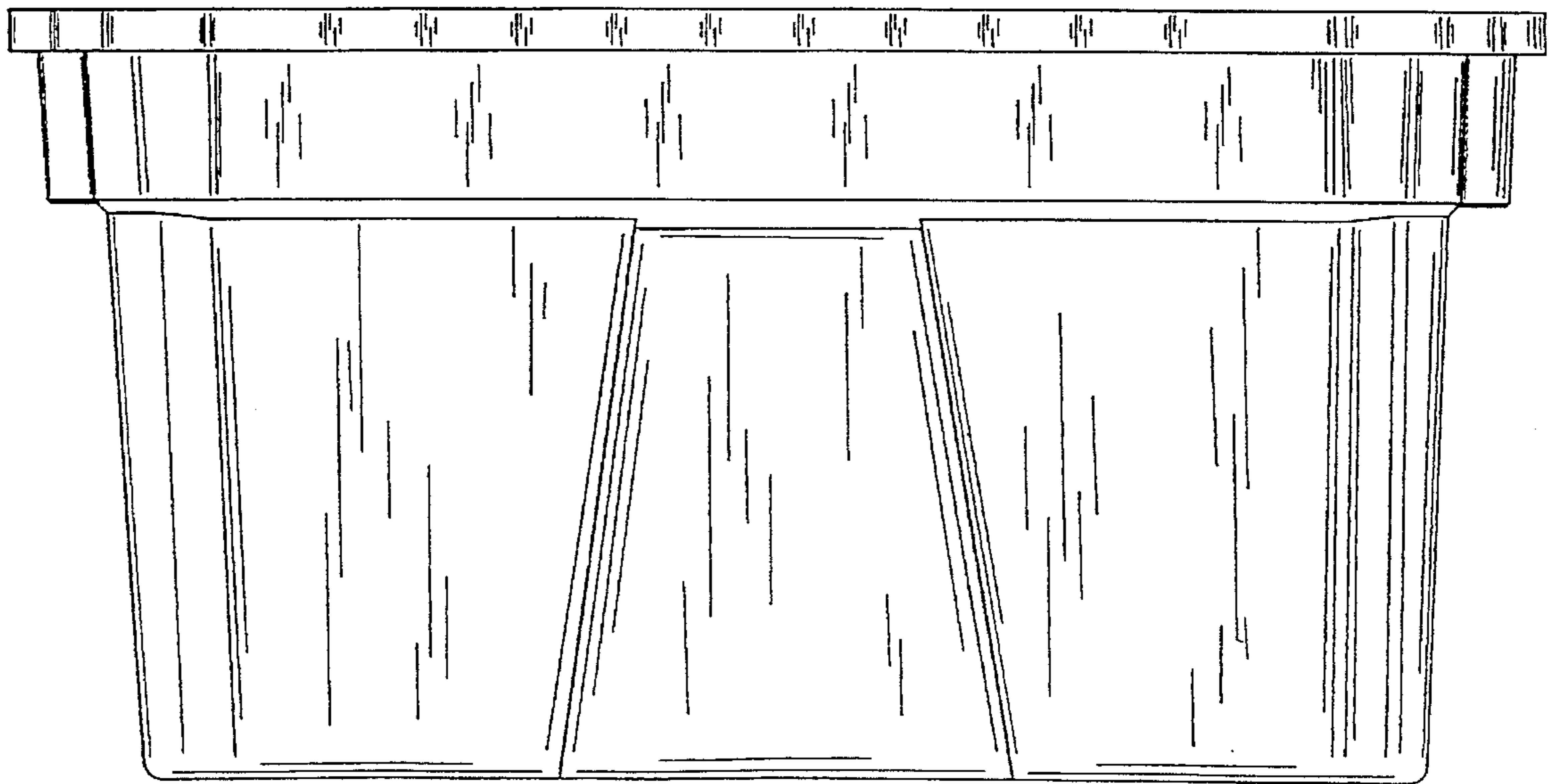


FIG. 3

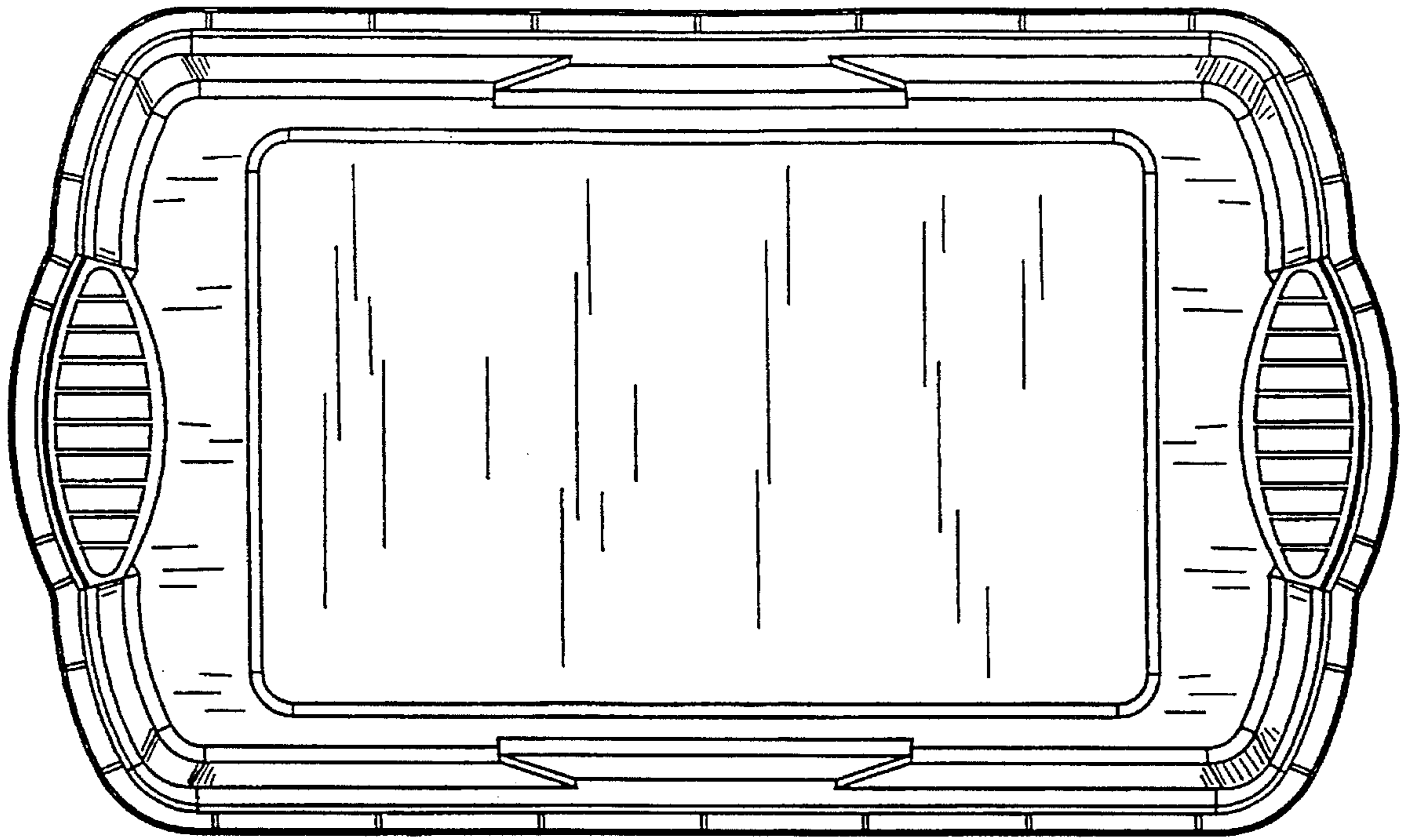


FIG. 4

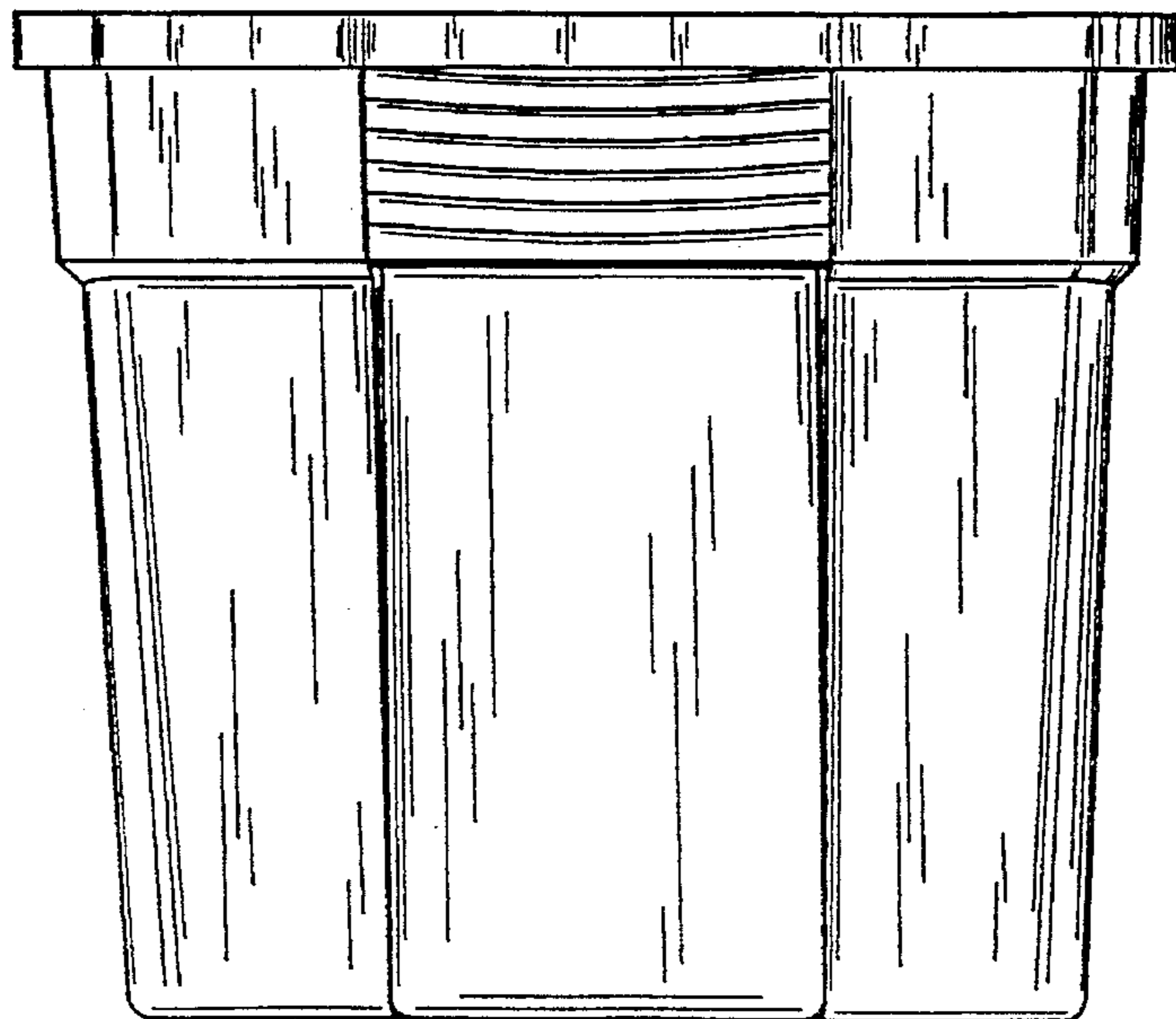


FIG. 5