



US00D373948S

United States Patent [19]

[11] Patent Number: **Des. 373,948**

Etzel et al.

[45] Date of Patent: ****Sep. 24, 1996**

[54] **SIDING HOOK**

[75] Inventors: **Curtis L. Etzel**, Colden; **David E. Moomaw**, Aurora, both of N.Y.; **Andrew G. Avinger**, Lubbock, Tex.

[73] Assignee: **Gary Products Group, Inc.**, Lubbock, Tex.

[**] Term: **14 Years**

[21] Appl. No.: **35,251**

[22] Filed: **Feb. 23, 1995**

[52] U.S. Cl. **D8/367**

[58] Field of Search D8/367, 373; 248/301, 248/304, 339, 215, 231.8; D6/323; 211/18-20

[56] **References Cited**

U.S. PATENT DOCUMENTS

D. 208,426	8/1967	Lodermeier	D8/367 X
254,333	2/1882	Kane	248/301 X
D. 308,015	5/1990	Volpe et al.	D8/373 X
D. 331,360	1/1992	Adams	D8/373
3,074,676	1/1963	Watson	248/71

3,181,827	5/1965	Sassin	248/74
3,260,489	7/1966	Hentzi	248/215
3,310,271	3/1967	King	248/225
4,120,472	10/1978	Balne	248/215 X
4,852,832	8/1989	Delaney	248/65
4,887,785	12/1989	Blaich	248/339
5,141,192	8/1992	Adams	248/231.8

Primary Examiner—Holly H. Baynham
Attorney, Agent, or Firm—Ross, Clapp, Korn & Montgomery, L.L.P.

[57] **CLAIM**

The ornamental design for siding hook, as shown and described.

DESCRIPTION

FIG. 1 is a left front perspective view of the new siding hook and ornamental design of the invention; FIG. 2 is a front elevation view thereof; FIG. 3 is a top plan view thereof; FIG. 4 is a bottom plan view thereof; FIG. 5 is a right side elevation view thereof; and, FIG. 6 is a rear elevation view thereof.

1 Claim, 1 Drawing Sheet

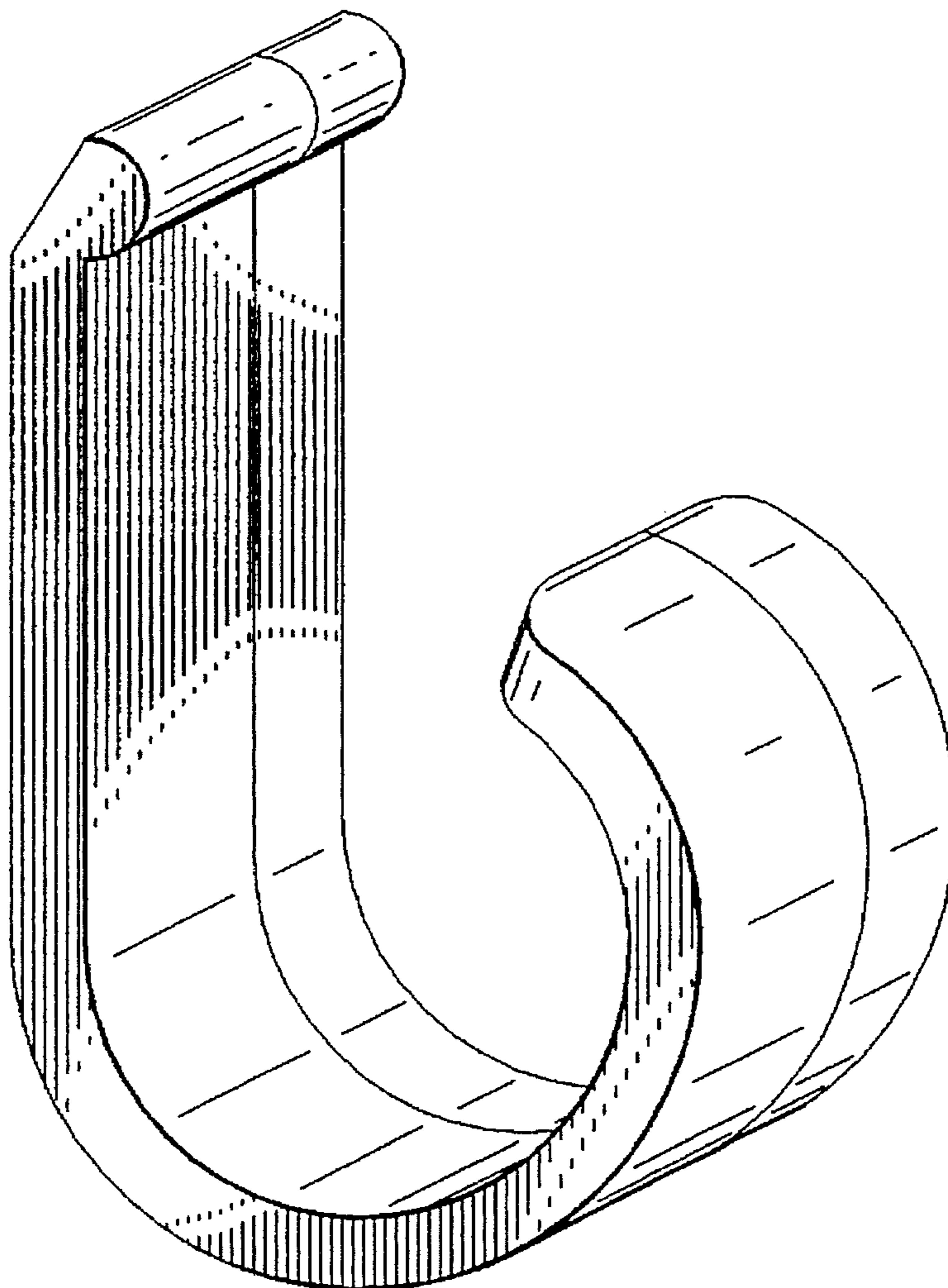


FIG. 1

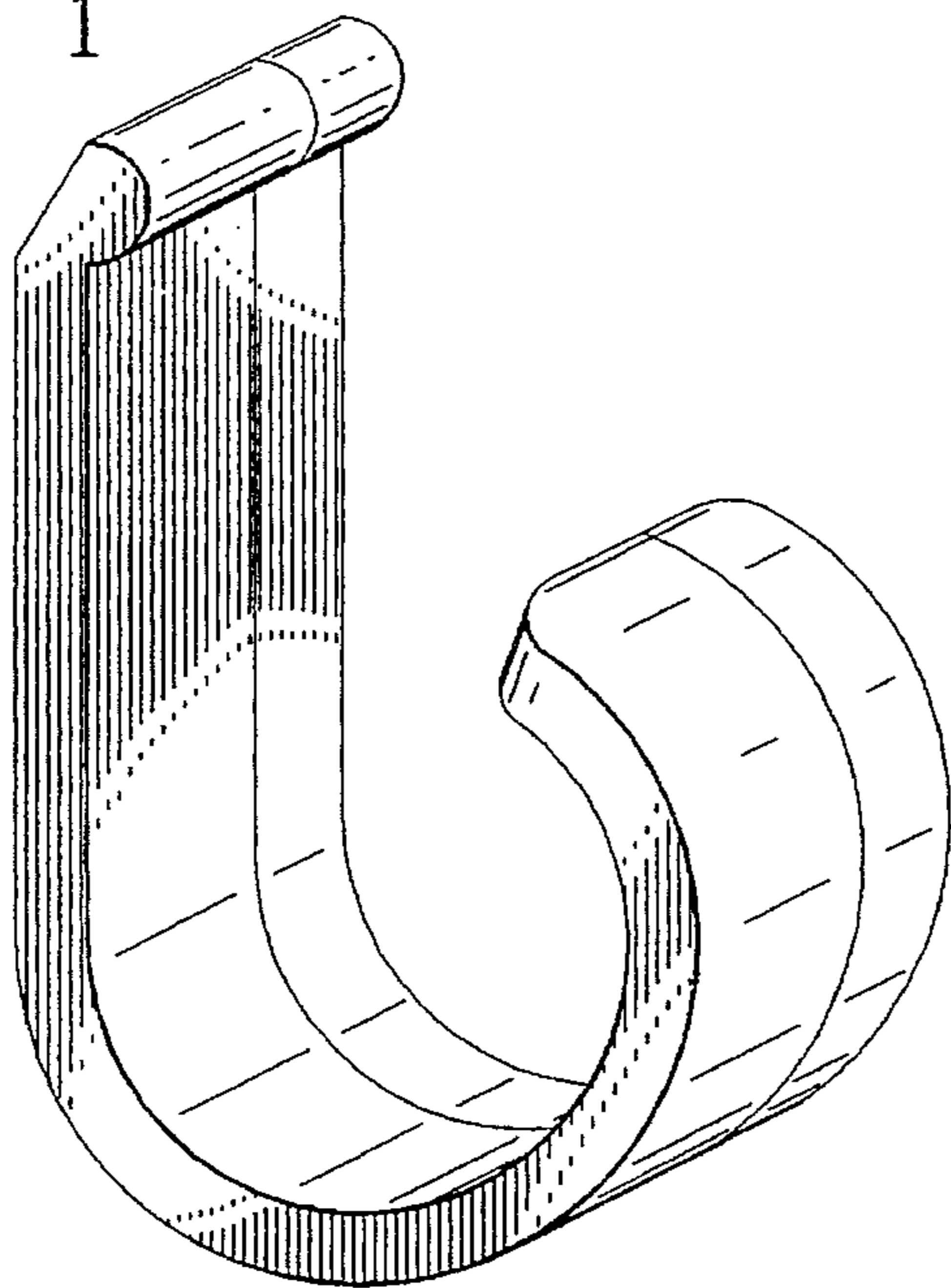


FIG. 2

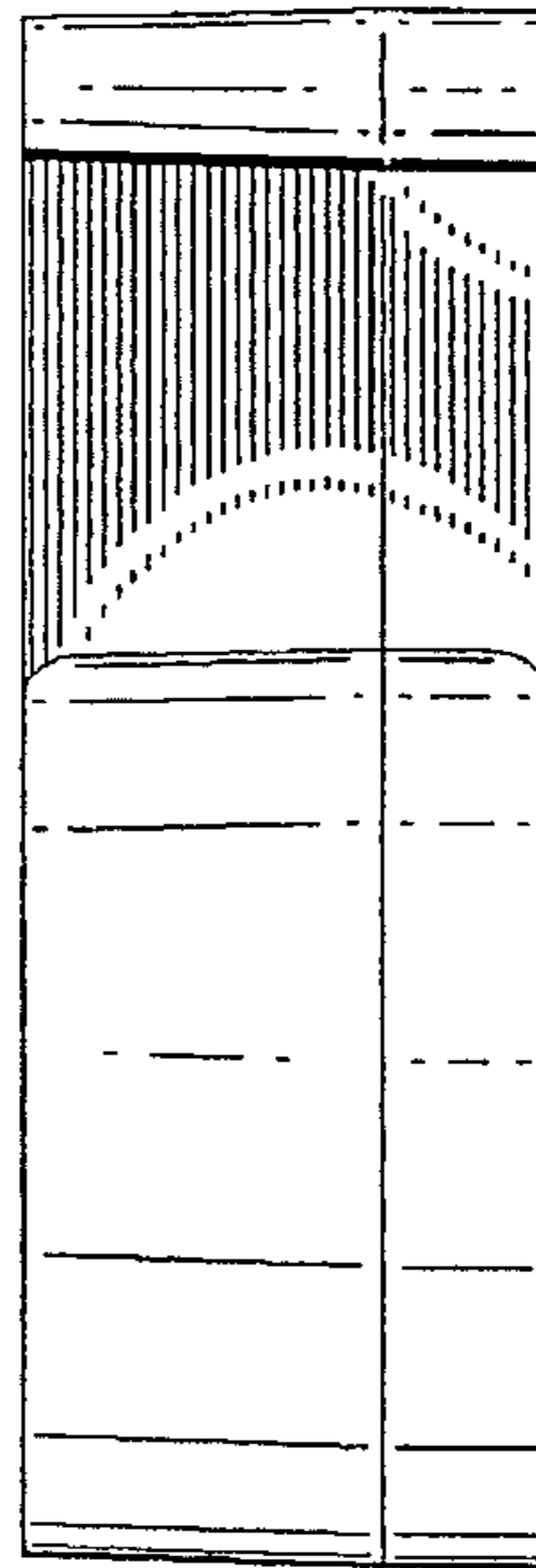


FIG. 3

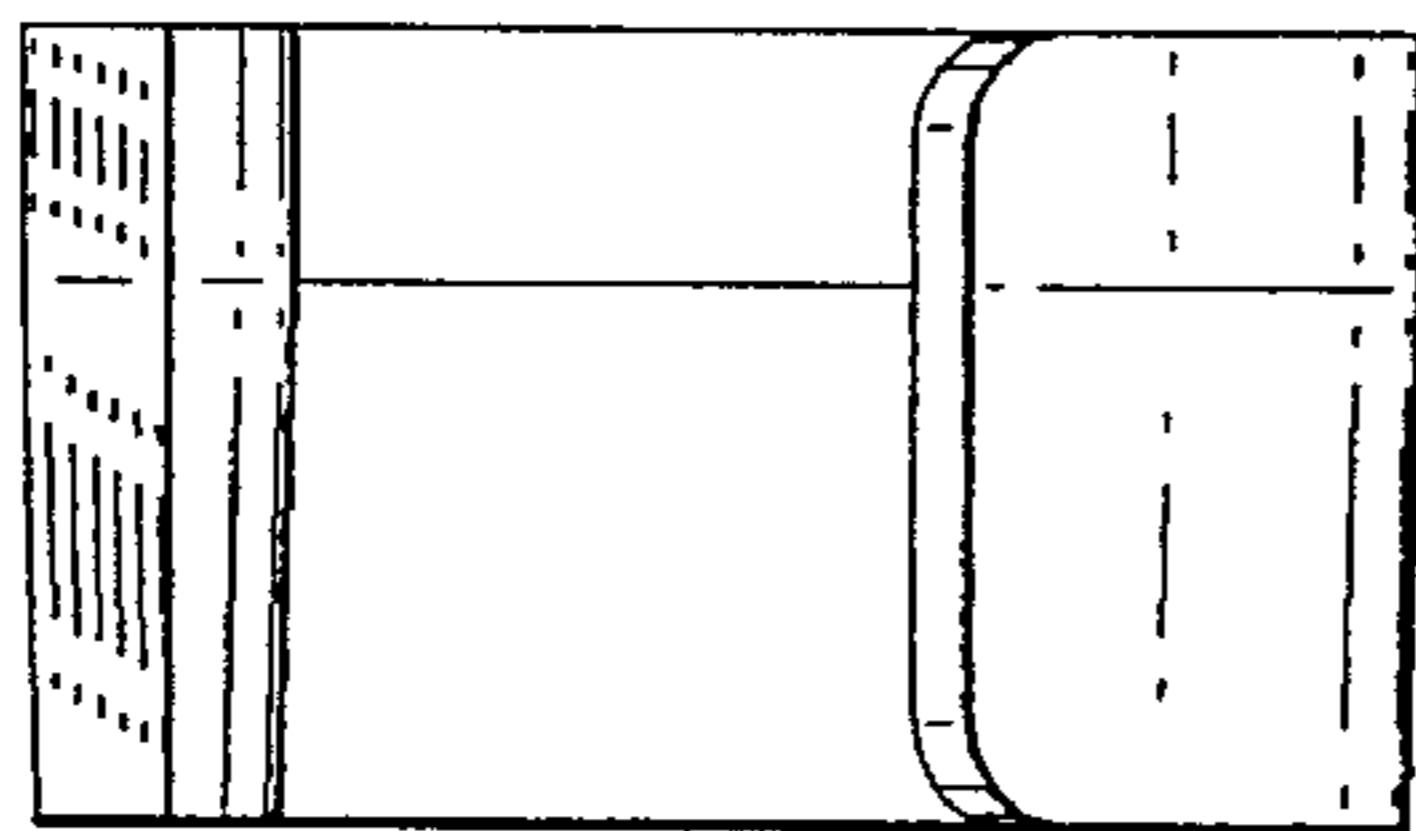


FIG. 4

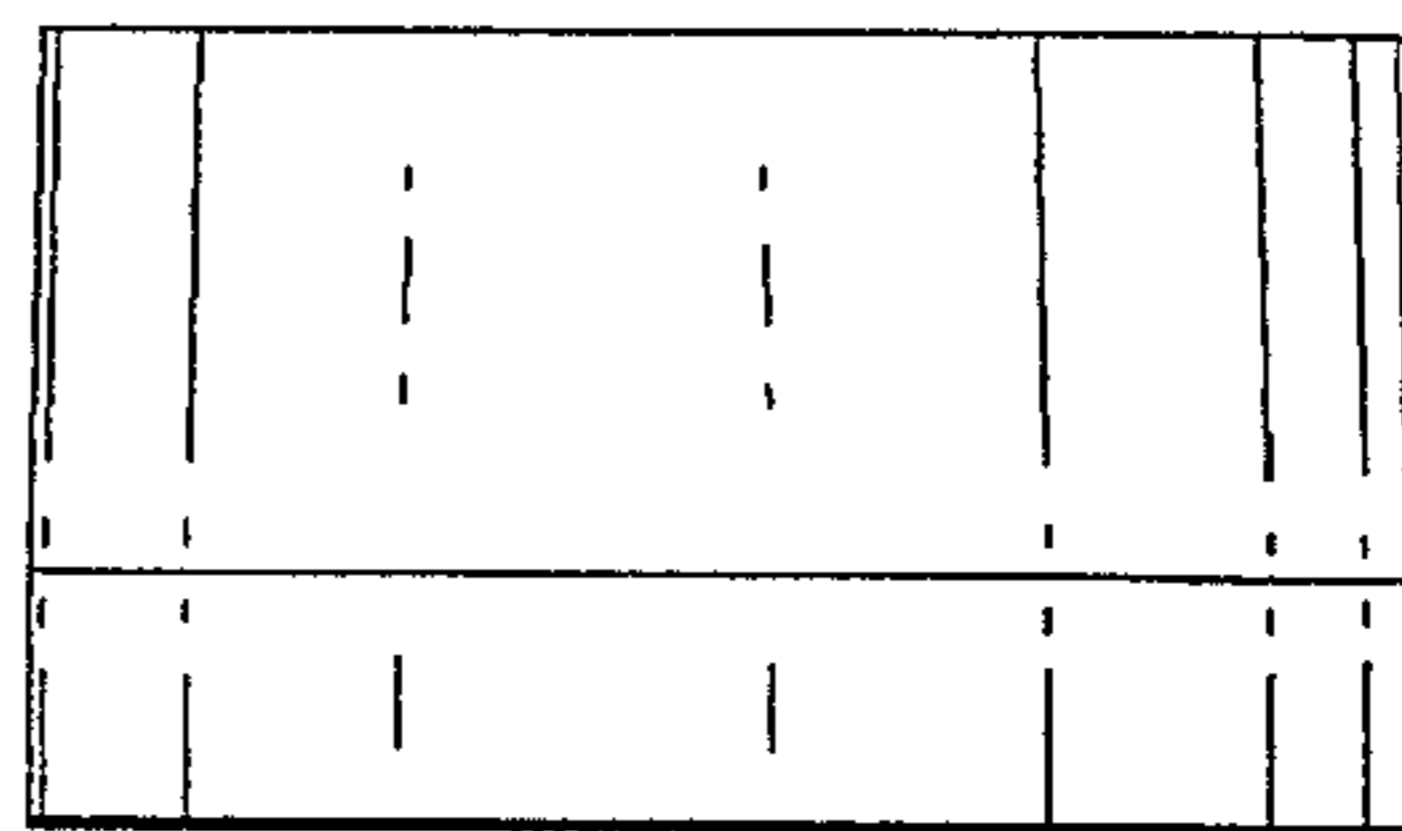


FIG. 5

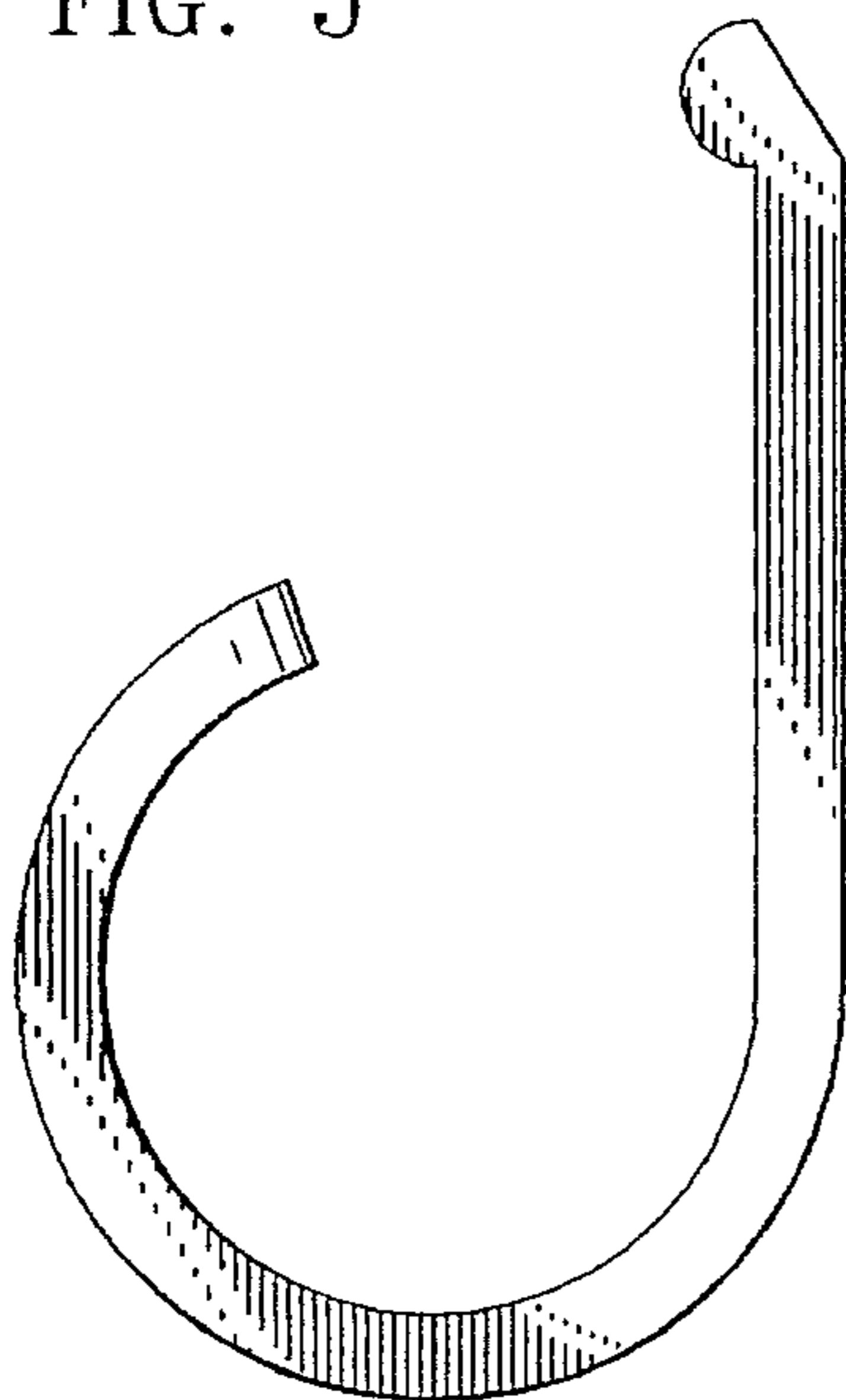


FIG. 6

