



US00D373947S

United States Patent [19]
Parduhn

[11] **Patent Number: Des. 373,947**

[45] **Date of Patent: **Sep. 24, 1996**

[54] **BALANCE ADJUSTER EYEBOLT**

[76] Inventor: **A. Philip Parduhn**, 14501 Wilson Rd.,
Edmond, Okla. 73013

[**] Term: **14 Years**

[21] Appl. No.: **34,055**

[22] Filed: **Jan. 26, 1995**

[52] U.S. Cl. **D8/373**

[58] Field of Search **D8/373, 387; 248/61**

[56] **References Cited**

U.S. PATENT DOCUMENTS

D. 35,263 11/1901 Frazier **D8/382**

OTHER PUBLICATIONS

Pelco Products, Inc. product Bulletin No. 118, published
Jan. 12, 1995. See Item 16.

Elliott Equipment Corporation, undated.

Primary Examiner—Terry A. Wallace
Attorney, Agent, or Firm—McKinney, Stringer & Webster,
P.C.

[57] **CLAIM**

The ornamental design for a balance adjuster eyebolt, as
shown and described.

DESCRIPTION

FIG. 1 is a perspective view of my new design for a balance
adjuster eyebolt;

FIG. 2 is an exploded, perspective view thereof;

FIG. 3 is an elevational view of the front thereof;

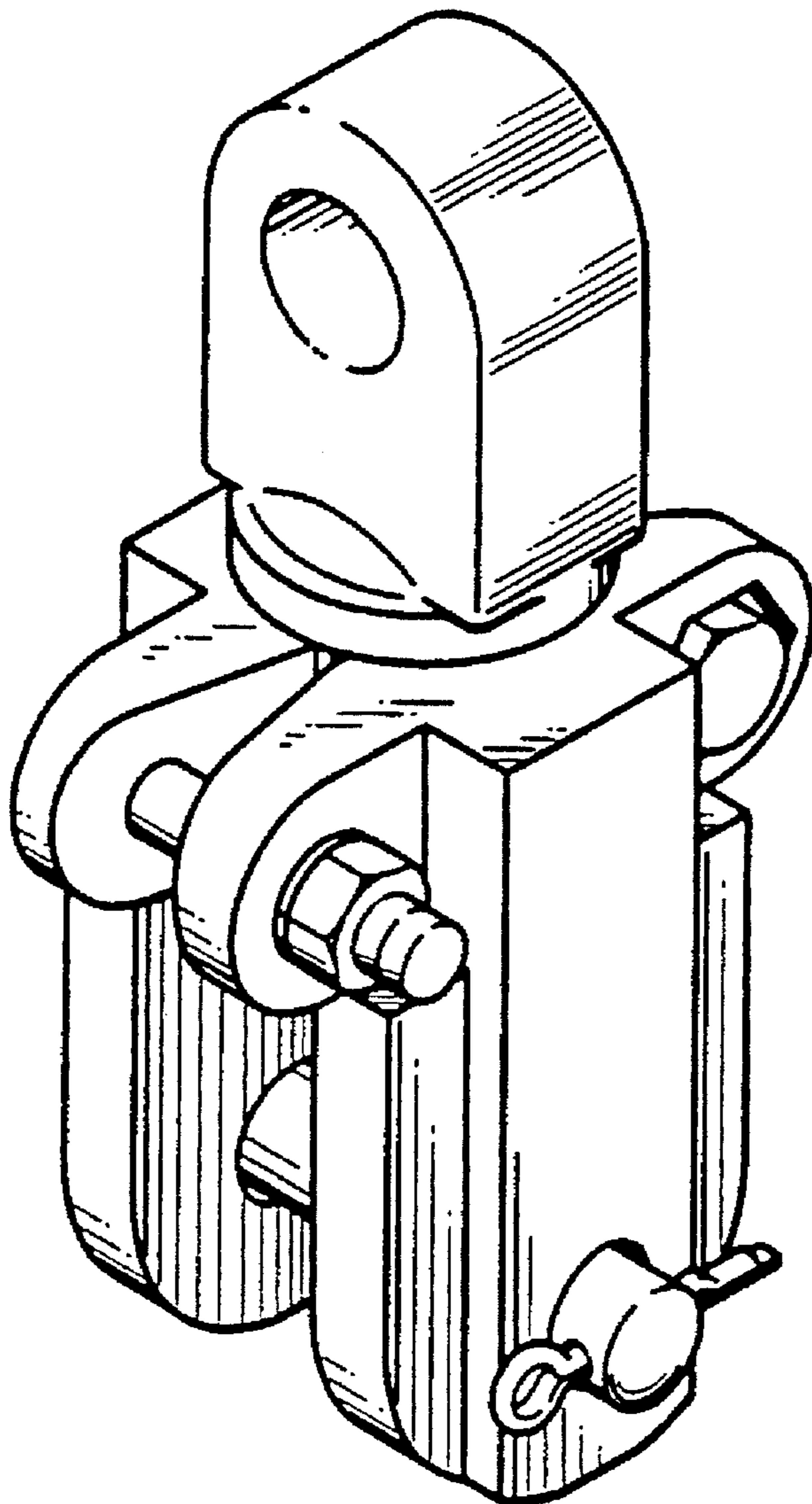
FIG. 4 is an elevational view of the rear thereof;

FIG. 5 is an elevational view of the first end thereof, the
opposing end being a mirror image thereof;

FIG. 6 is a plan view thereof; and,

FIG. 7 is a bottom view thereof.

1 Claim, 7 Drawing Sheets



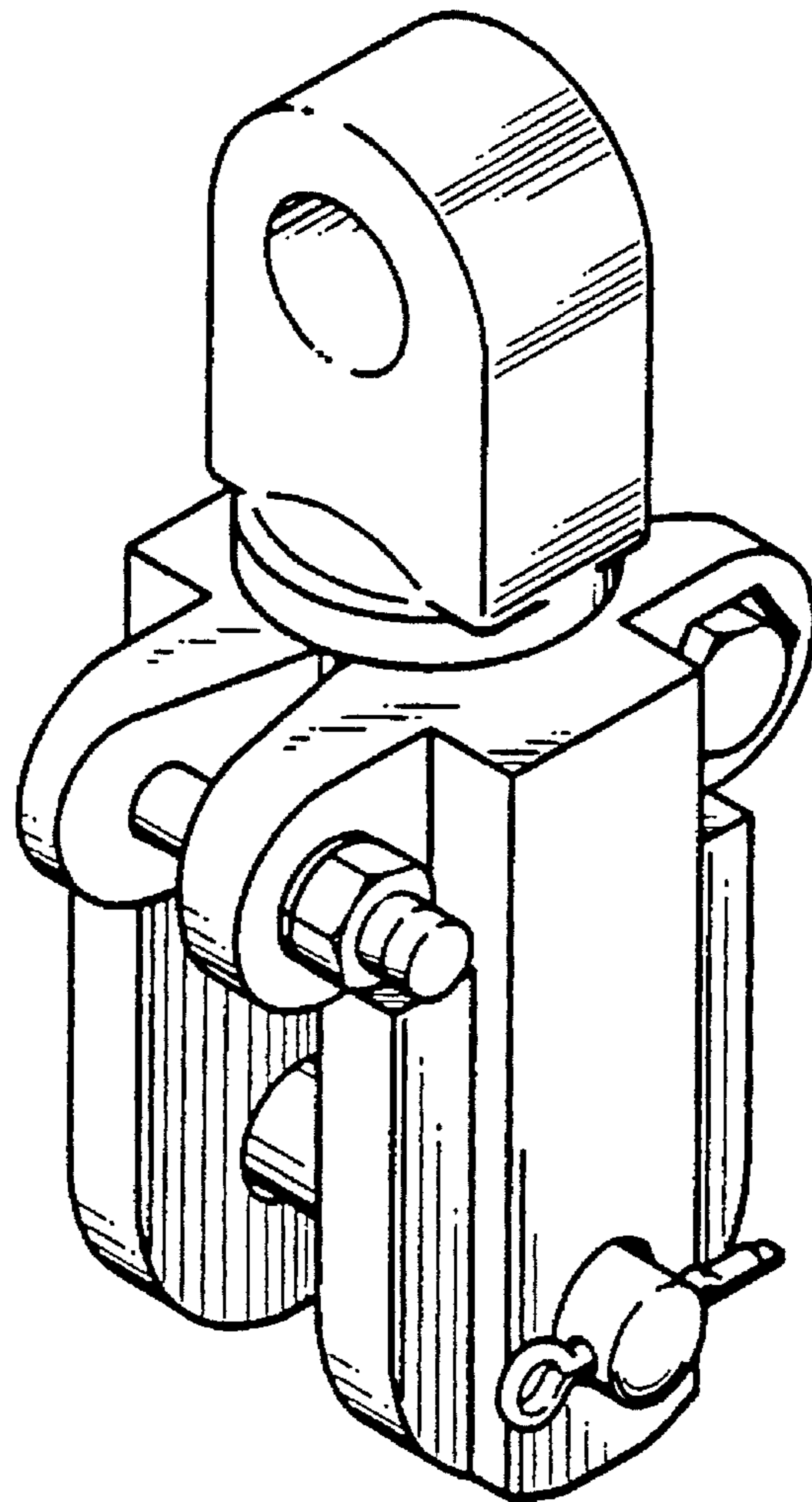


Fig. 1

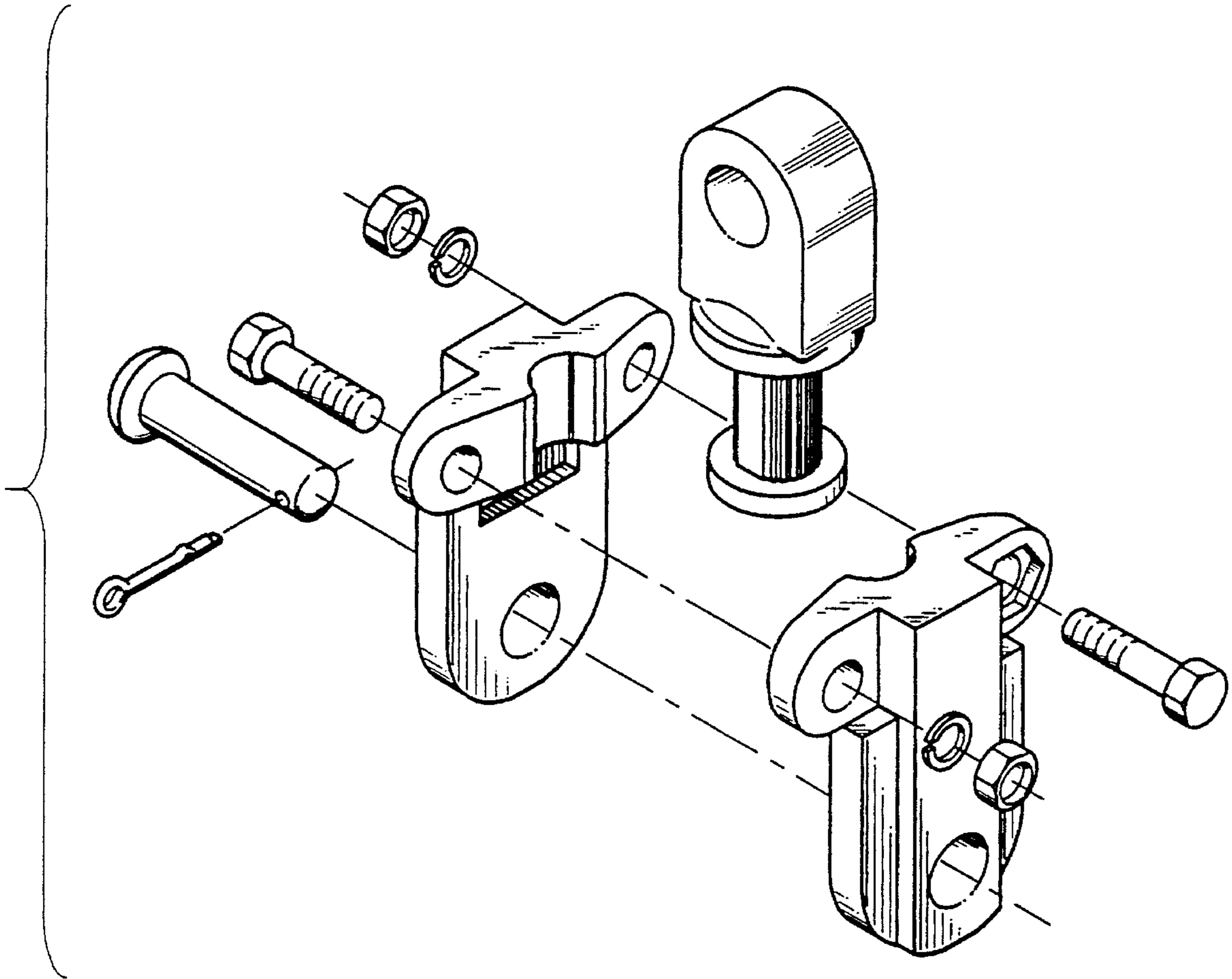


Fig. 2

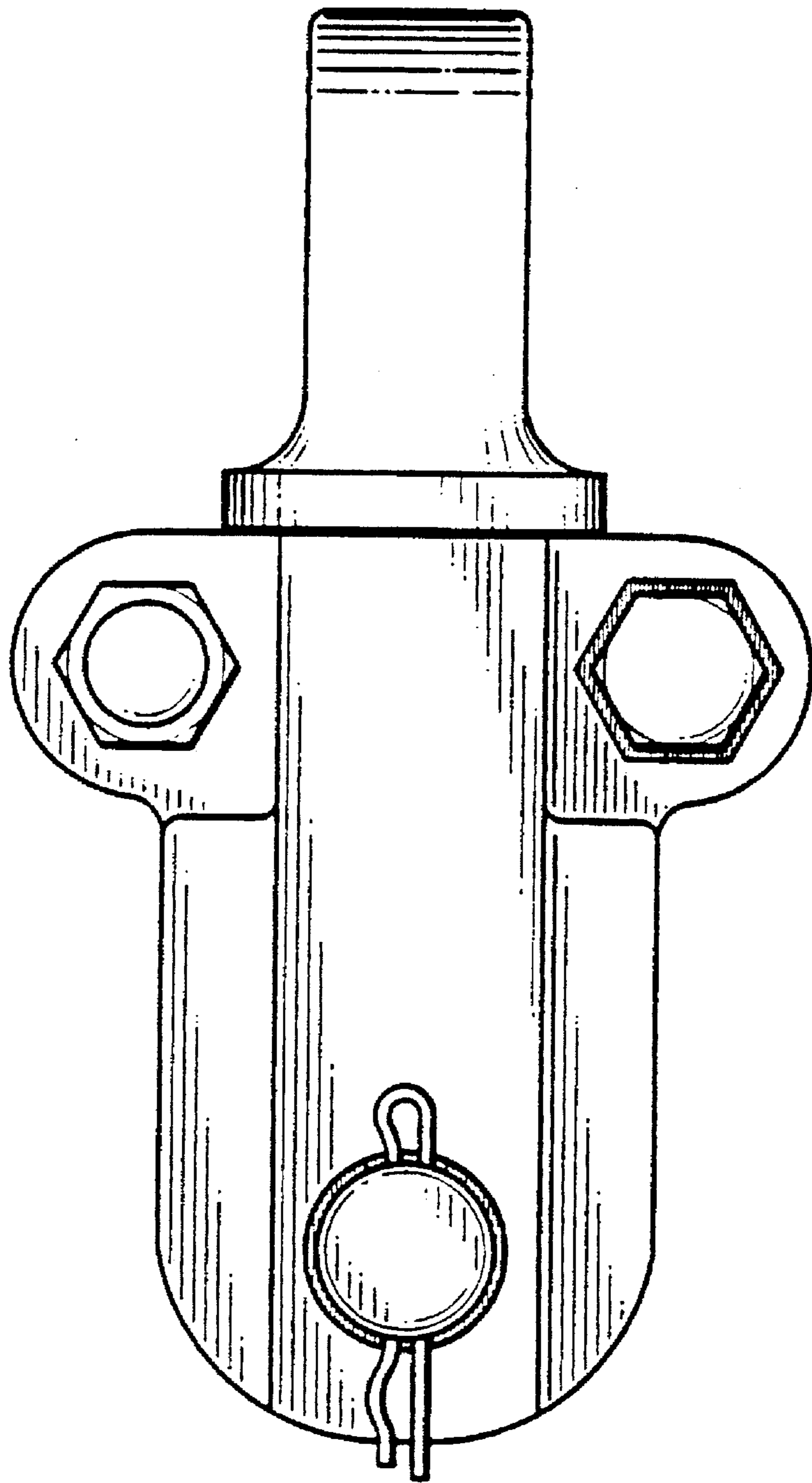


Fig. 3

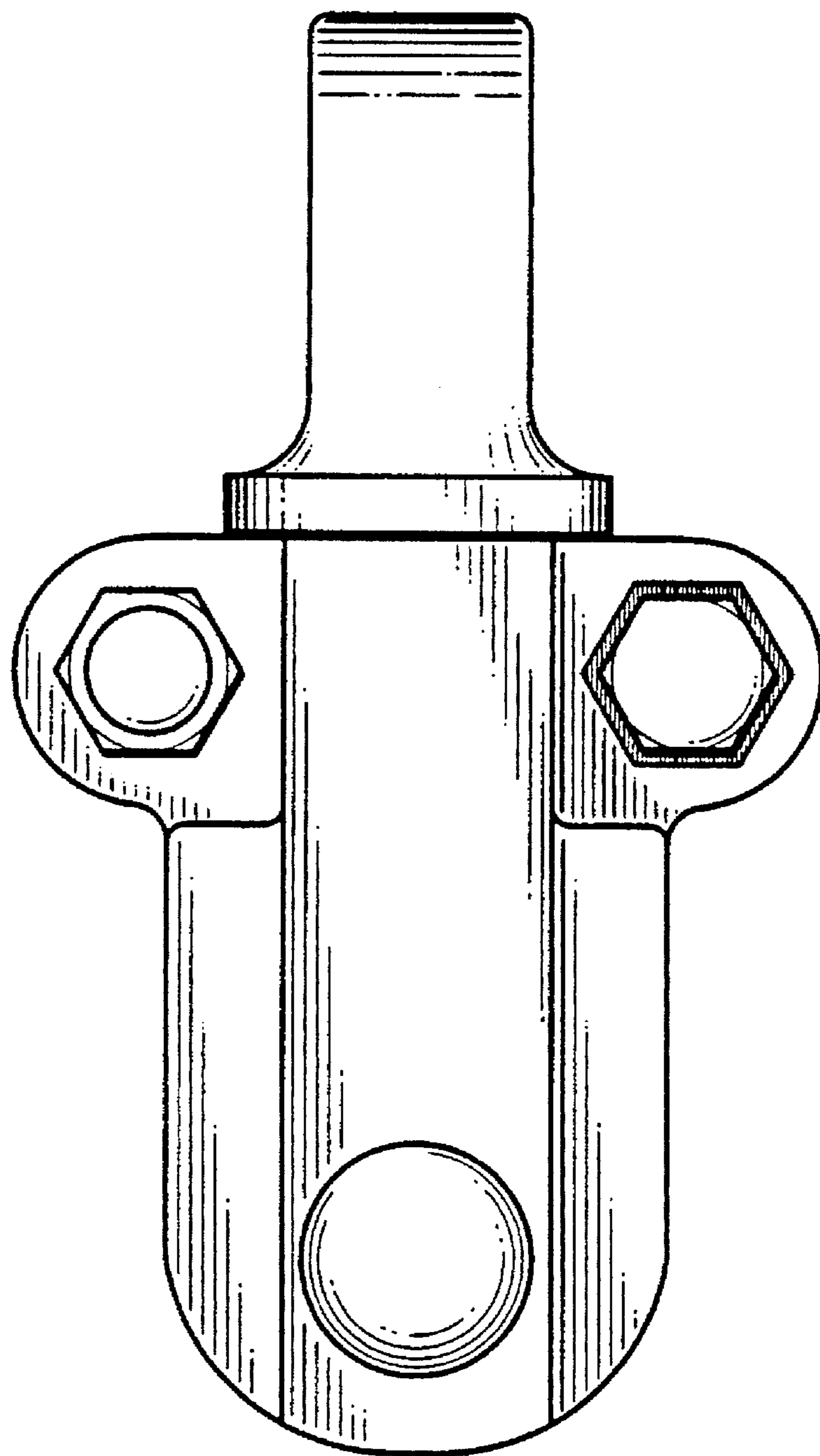


Fig. 4

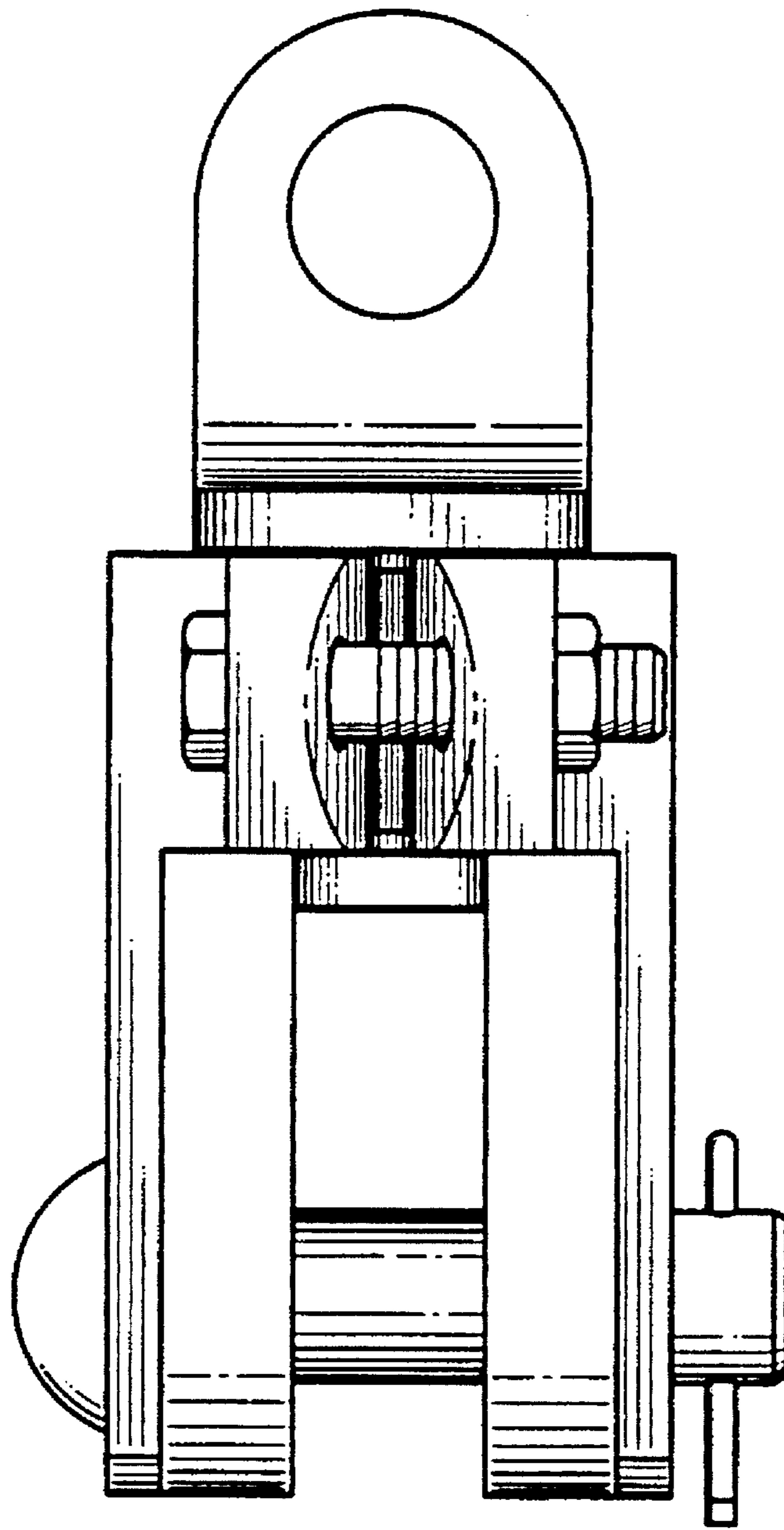


Fig. 5

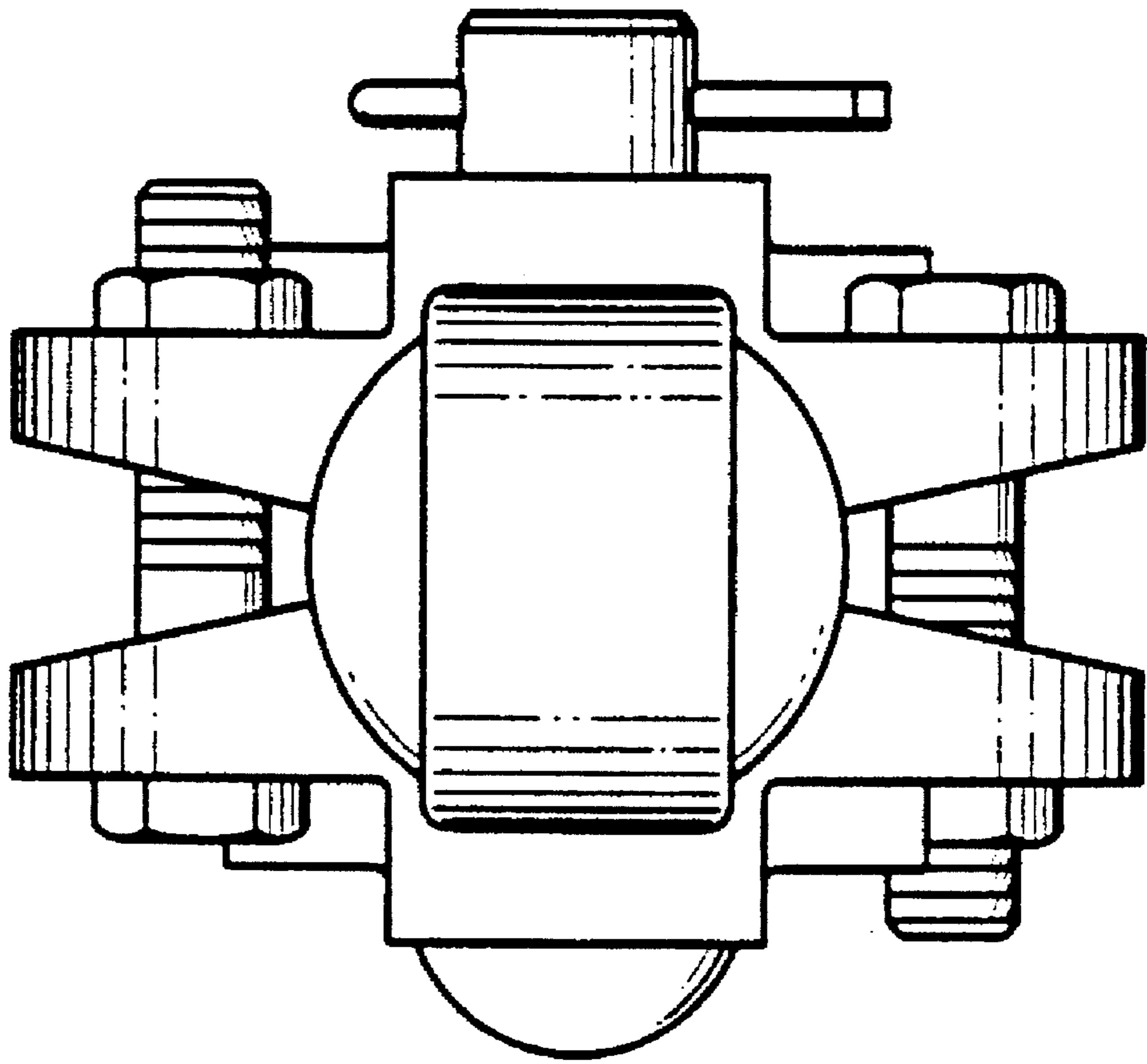


Fig. 6

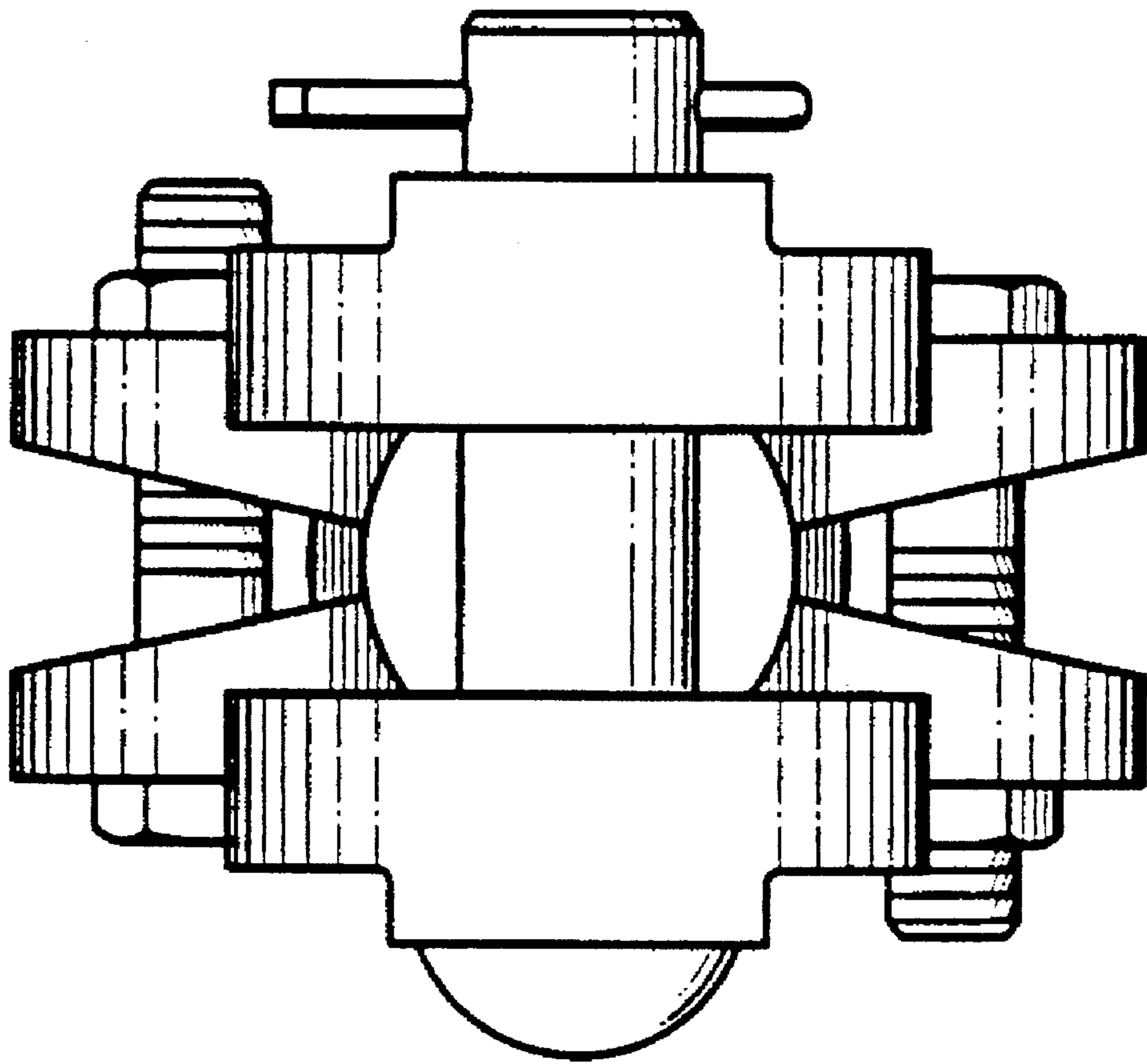


Fig. 7