



US00D373946S

United States Patent [19]

Sawano

[11] Patent Number: **Des. 373,946**

[45] Date of Patent: ****Sep. 24, 1996**

[54] **RETRACTABLE BLADE KNIFE**

[75] Inventor: **Kazuyo Sawano**, Kyoto, Japan

[73] Assignee: **Kyoto Measuring Instruments Corp.**,
Japan

[**] Term: **14 Years**

[21] Appl. No.: **34,629**

[22] Filed: **Feb. 9, 1995**

[52] U.S. Cl. **D8/99**

[58] Field of Search D8/98, 99; 30/161,
30/162, 320, 329, 335, 337

D. 309,090 7/1990 Schmidt D8/99
 D. 324,475 3/1992 Staubitz et al. D8/99
 4,200,977 5/1980 Kageyama et al. 30/162
 4,233,734 11/1980 Bies 30/162
 4,322,885 4/1982 Osada 30/162
 4,615,118 10/1986 Ihata 30/162

Primary Examiner—Philip S. Hyder
Attorney, Agent, or Firm—Rader, Fishman & Grauer PLLC

[57] CLAIM

The ornamental design for a retractable blade knife, as shown and described.

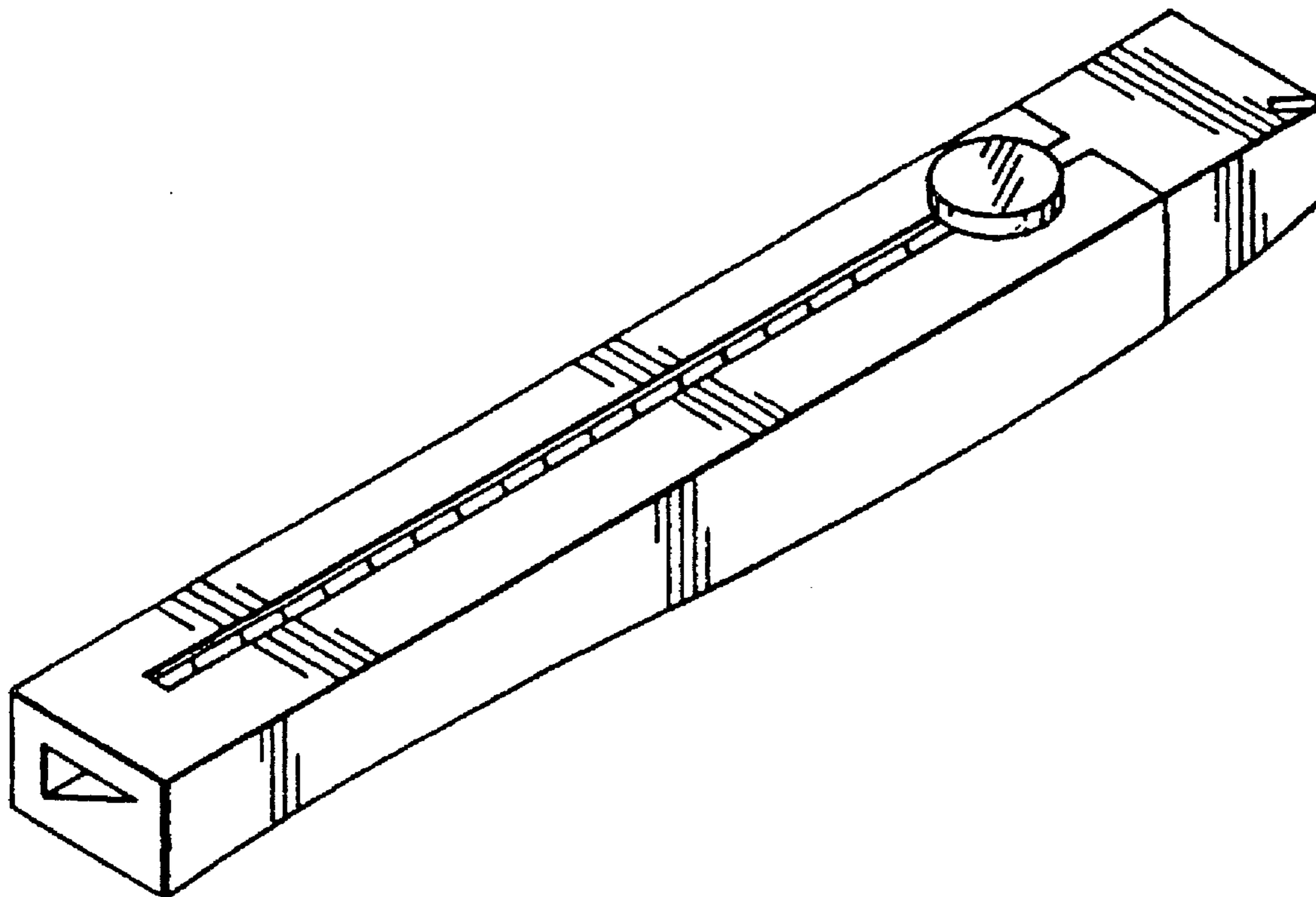
DESCRIPTION

FIG. 1 is a perspective view of a retractable blade knife, showing my new design;
 FIG. 2 is a top plan view thereof;
 FIG. 3 is a front elevational view thereof;
 FIG. 4 is a bottom plan view thereof;
 FIG. 5 is a left side elevational view thereof; and,
 FIG. 6 is a right side elevational view thereof.

1 Claim, 1 Drawing Sheet

[56] **References Cited**
 U.S. PATENT DOCUMENTS

D. 263,277 3/1982 Gregoire D8/99
 D. 264,799 6/1982 Osada D8/99
 D. 264,802 6/1982 Osada D8/99
 D. 264,803 6/1982 Machida D8/99
 D. 264,880 6/1982 Osada D8/99



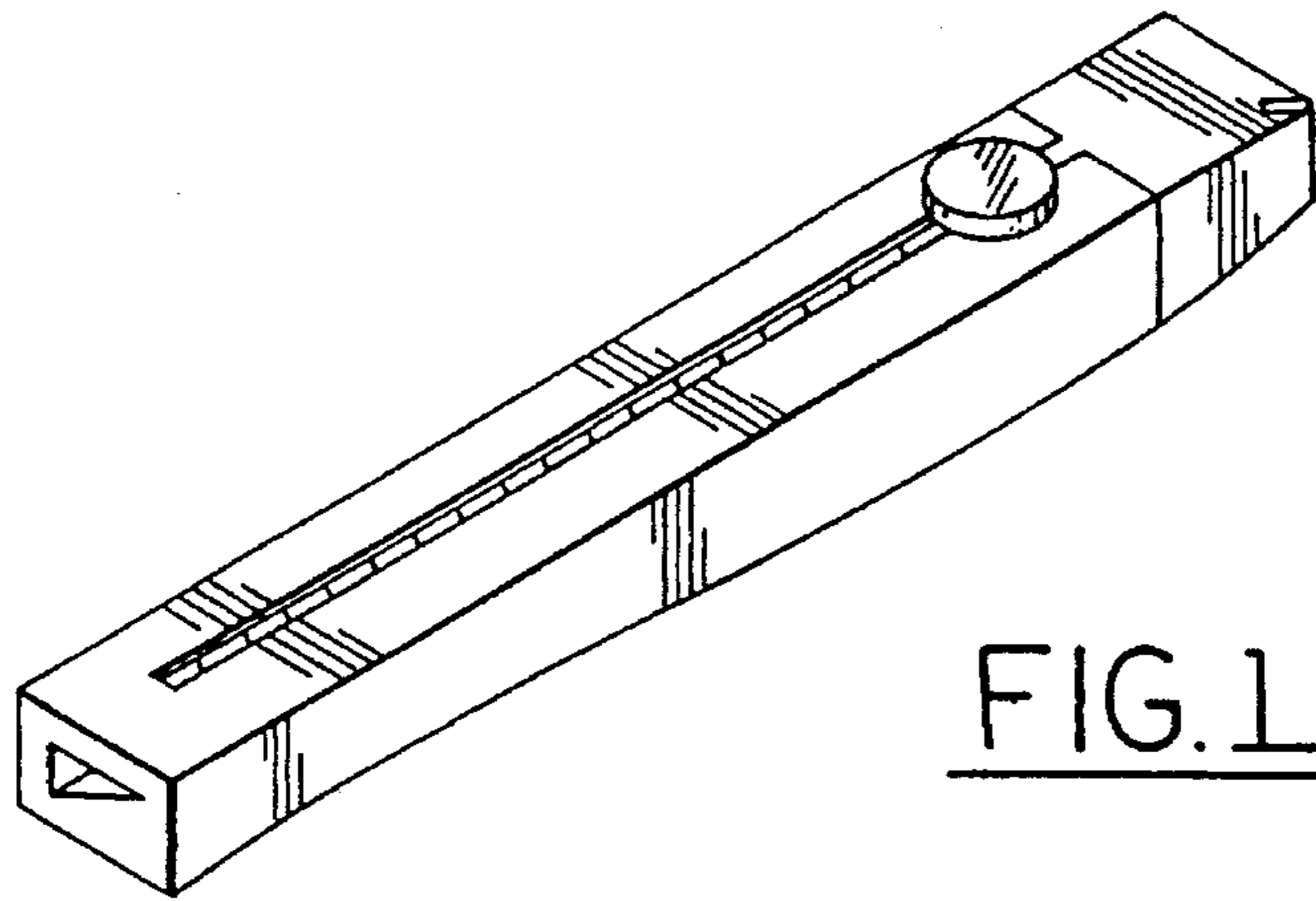


FIG. 1

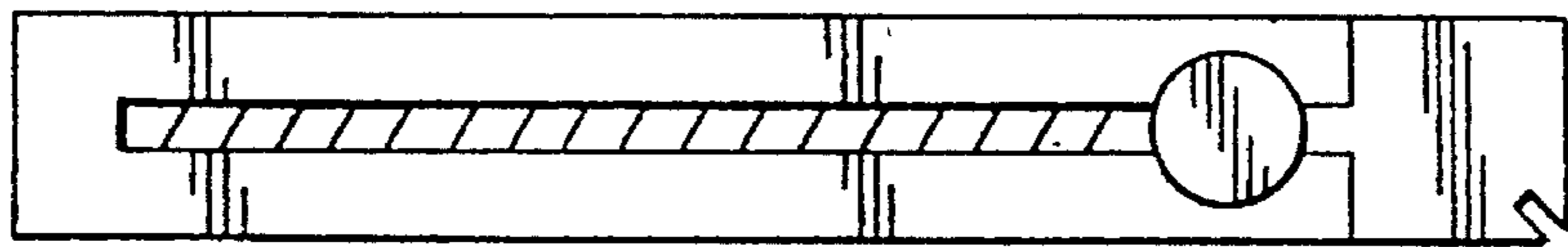


FIG. 2

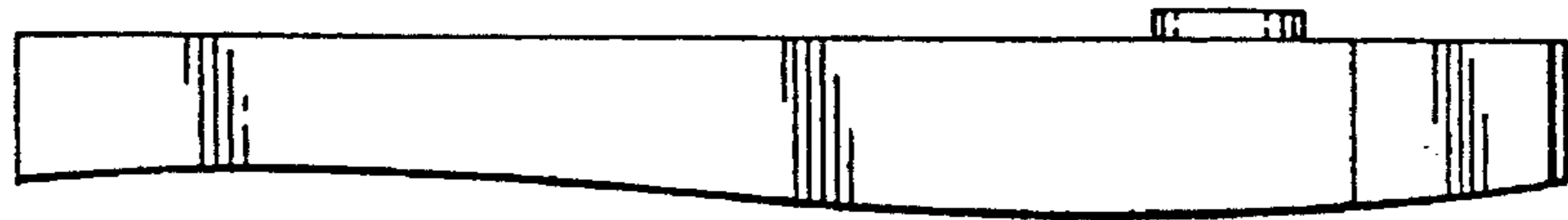


FIG. 3

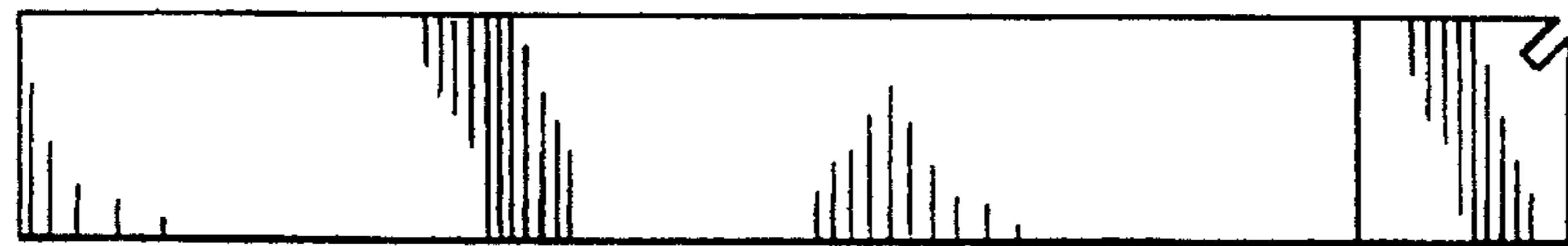


FIG. 4

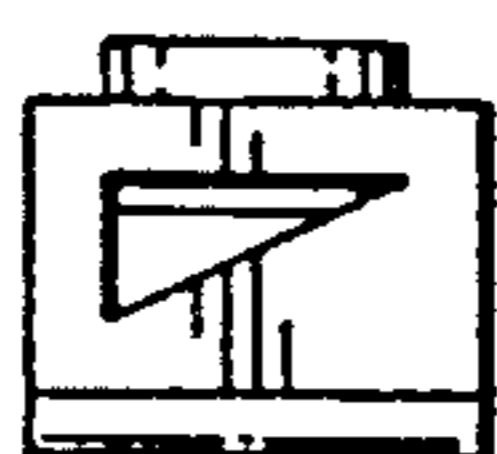


FIG. 5

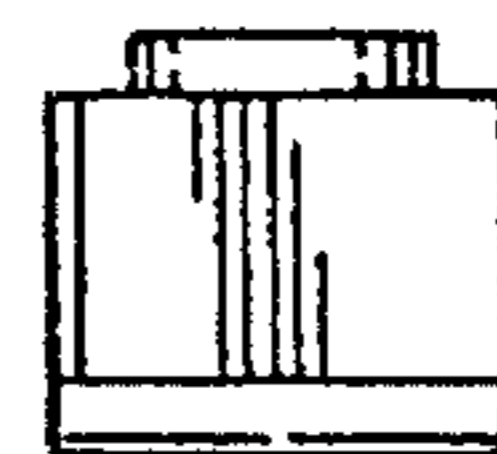


FIG. 6