



US00D373944S

United States Patent [19]

Thompson et al.

[11] Patent Number: **Des. 373,944**

[45] Date of Patent: ****Sep. 24, 1996**

[54] **SCREWDRIVER HANDLE**

[75] Inventors: **Christopher D. Thompson,**
Milwaukee; **Daniel M. Eggert,**
Kenosha, both of Wis.

[73] Assignee: **Snap-on Technologies, Inc.,** Crystal
Lake, Ill.

[**] Term: **14 Years**

4,330,093	5/1982	Chapman, Jr.	242/7.17
4,597,478	7/1986	Bodnar	192/43.1
4,599,920	7/1986	Schmid	81/489
4,640,155	2/1987	Condon	81/439
4,787,276	11/1988	Condon	81/177.1
4,924,924	5/1990	Stewart	16/114 R
4,974,286	12/1990	Stowell et al.	16/111 R
5,069,091	12/1991	Bramsiepe et al.	81/177.7
5,070,570	12/1991	Sabo	15/160
5,123,598	6/1992	Courtney et al.	239/686
5,125,296	6/1992	Nelson et al.	81/9.3
5,230,704	7/1993	Moberg et al.	604/34

[21] Appl. No.: **35,164**

[22] Filed: **Feb. 21, 1995**

[52] U.S. Cl. **D8/83; D8/107**

[58] Field of Search **D8/61, 68, 82,**
D8/83, 85, 107, 300, 308; 16/110 R; 81/489,
177.1, 436, 437, 438, 439

Primary Examiner—Philip S. Hyder
Attorney, Agent, or Firm—Emrich & Dithmar

[57] CLAIM

The ornamental design for a screwdriver handle, as shown and described.

[56] References Cited

U.S. PATENT DOCUMENTS

D. 107,007	11/1937	Cashmore	D8/82
D. 113,158	1/1939	Cashmore	D8/82
D. 259,698	6/1981	MacNeill	D8/107
D. 301,496	6/1989	Yonesawa et al.	D8/61
D. 325,857	5/1992	Hasegawa et al.	D8/61
1,003,098	9/1911	Flora	.
1,733,288	10/1929	Tune	.
2,712,765	7/1955	Knight, Jr.	.
3,080,900	3/1963	Rosenberg	.
3,908,487	9/1975	Plaw	81/59.1
4,038,719	8/1977	Bennett	D8/80

DESCRIPTION

FIG. 1 is a side elevational view of one side of the screwdriver handle constituting our new design;
FIG. 2 is a front elevational view thereof;
FIG. 3 is a rear elevational view thereof;
FIG. 4 is a top plan view thereof;
FIG. 5 is a bottom plan view thereof; and,
FIG. 6 is a side elevational view of the other side thereof.
The broken line portions of the drawing are for illustrative purposes only and form no part of the claimed design.

1 Claim, 1 Drawing Sheet

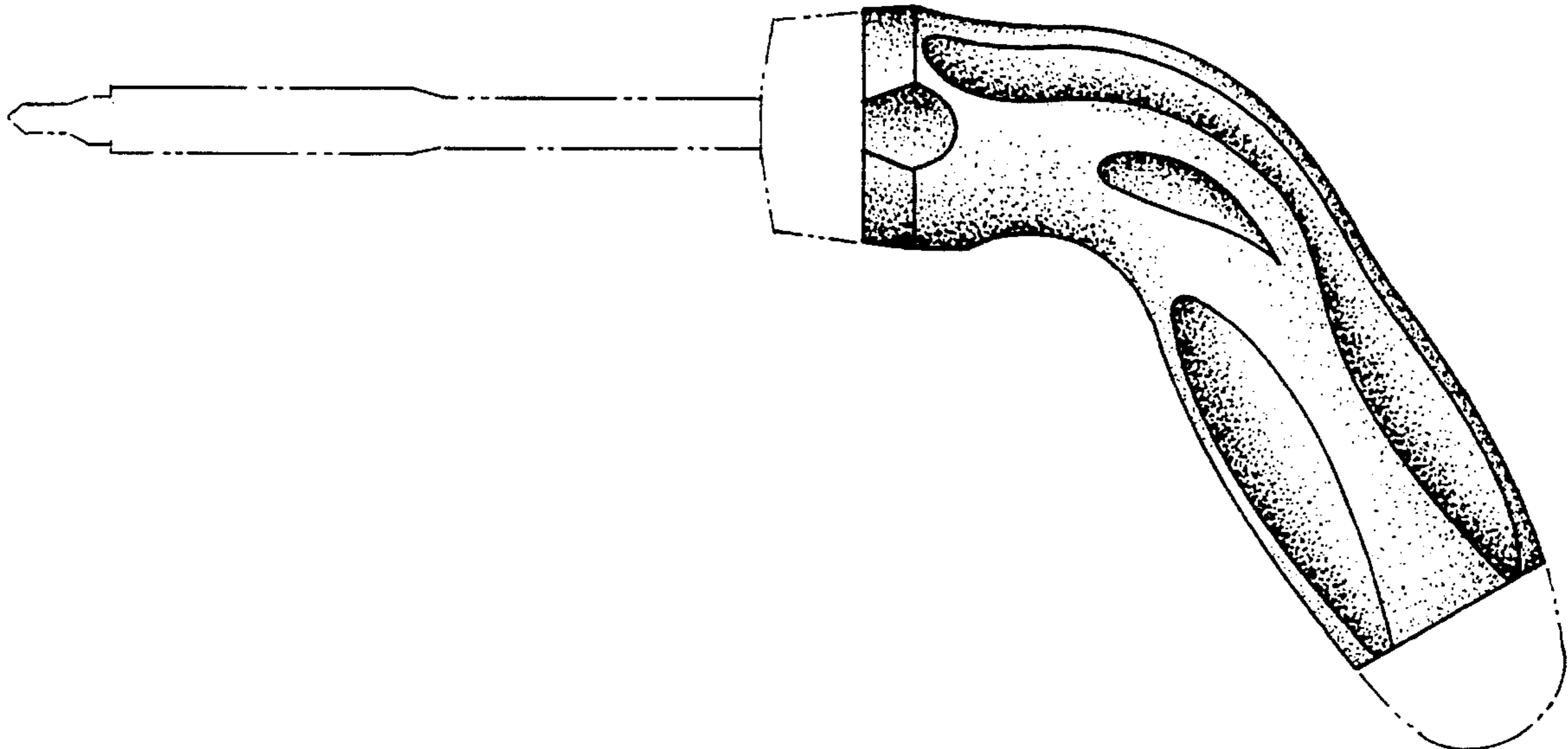


Fig 1

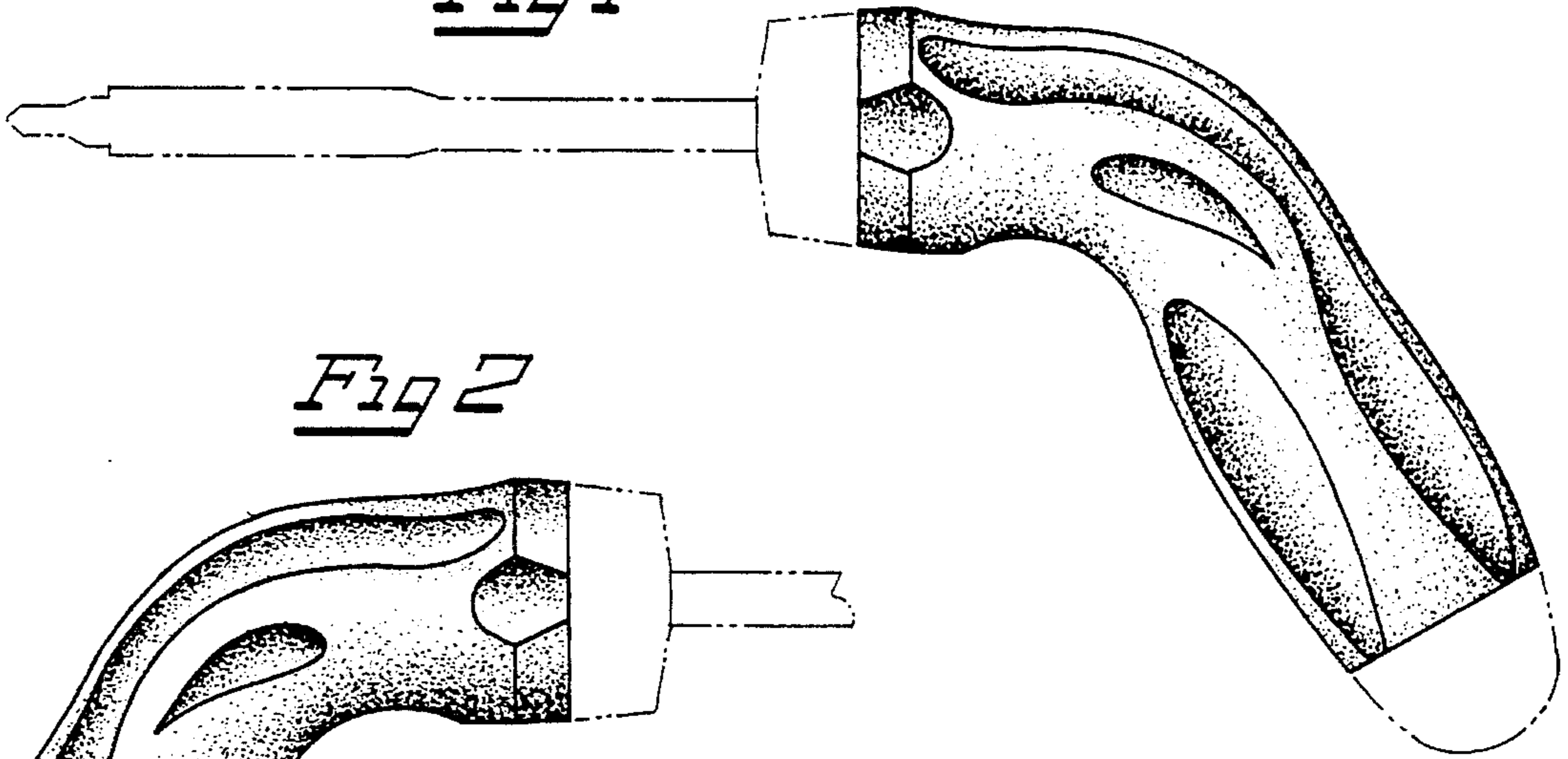


Fig 2

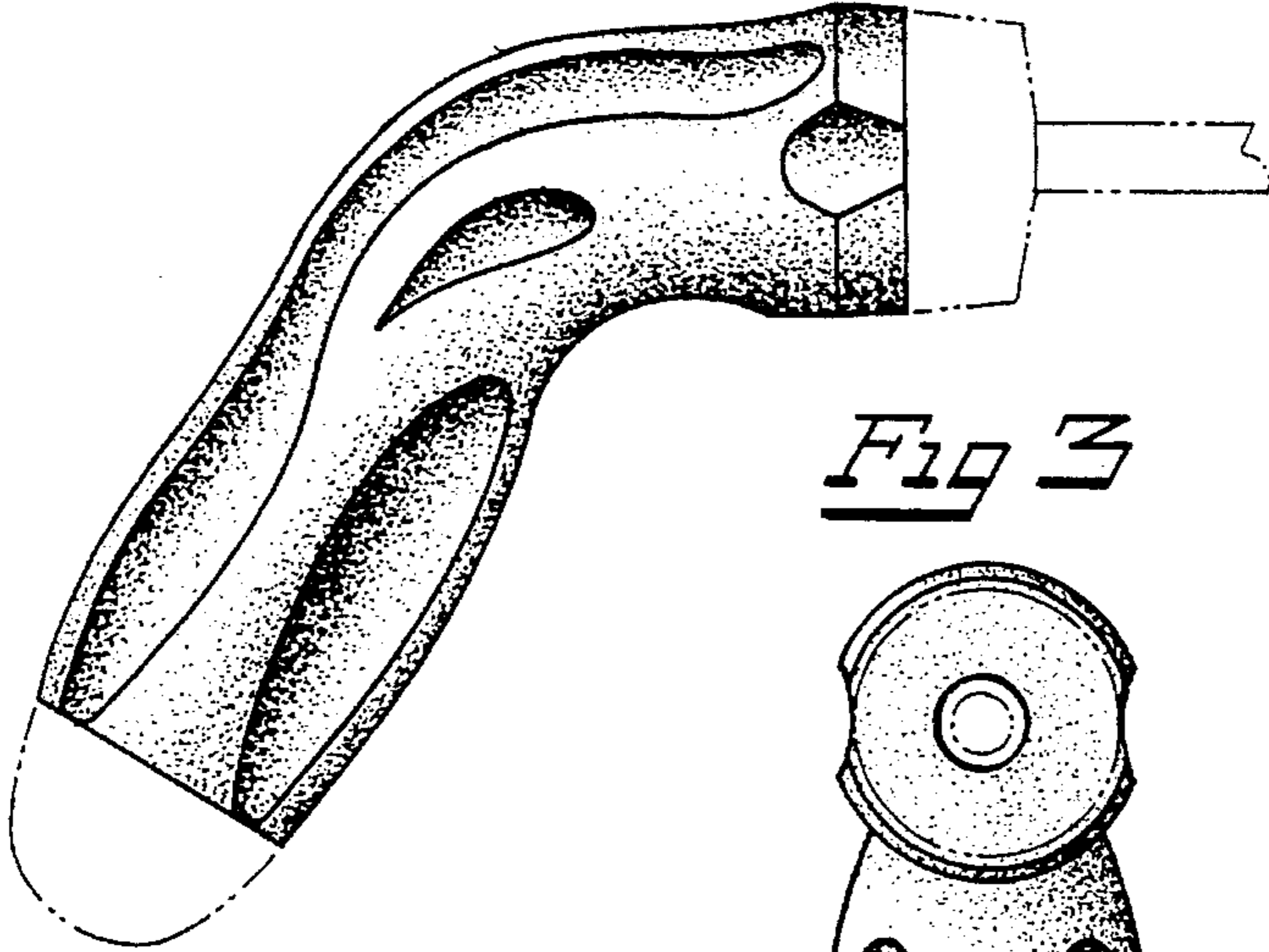


Fig 3

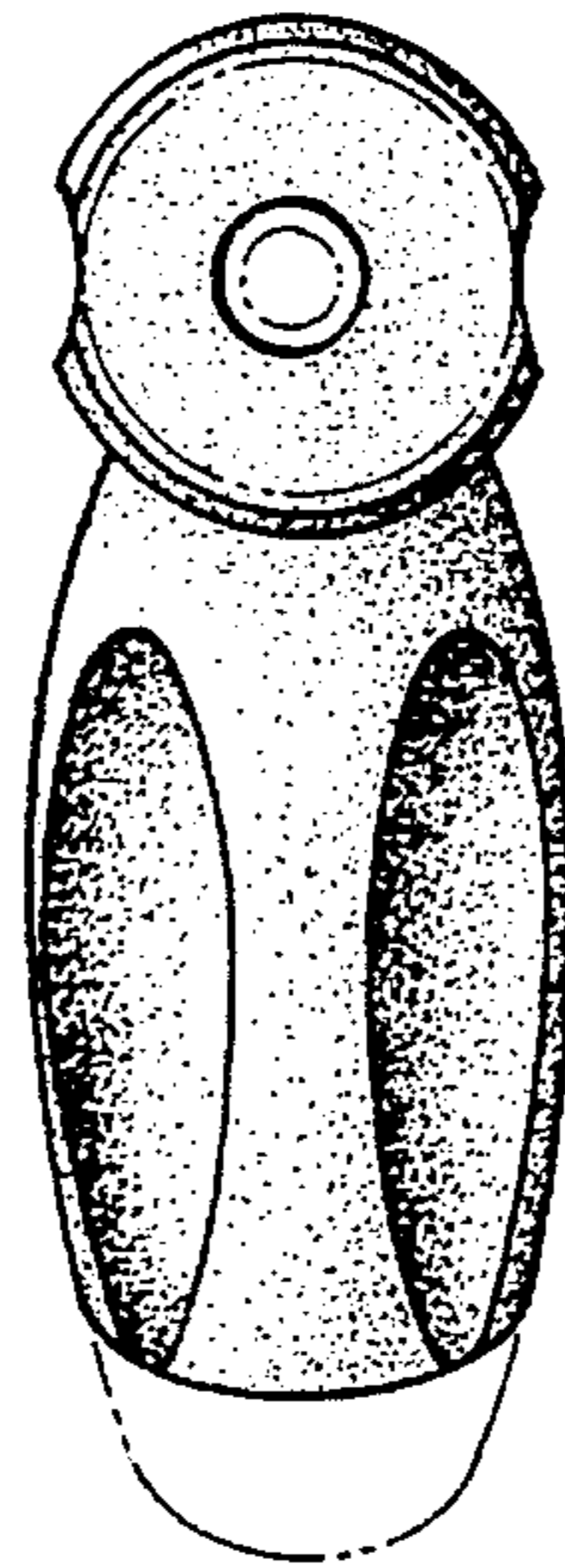


Fig 4

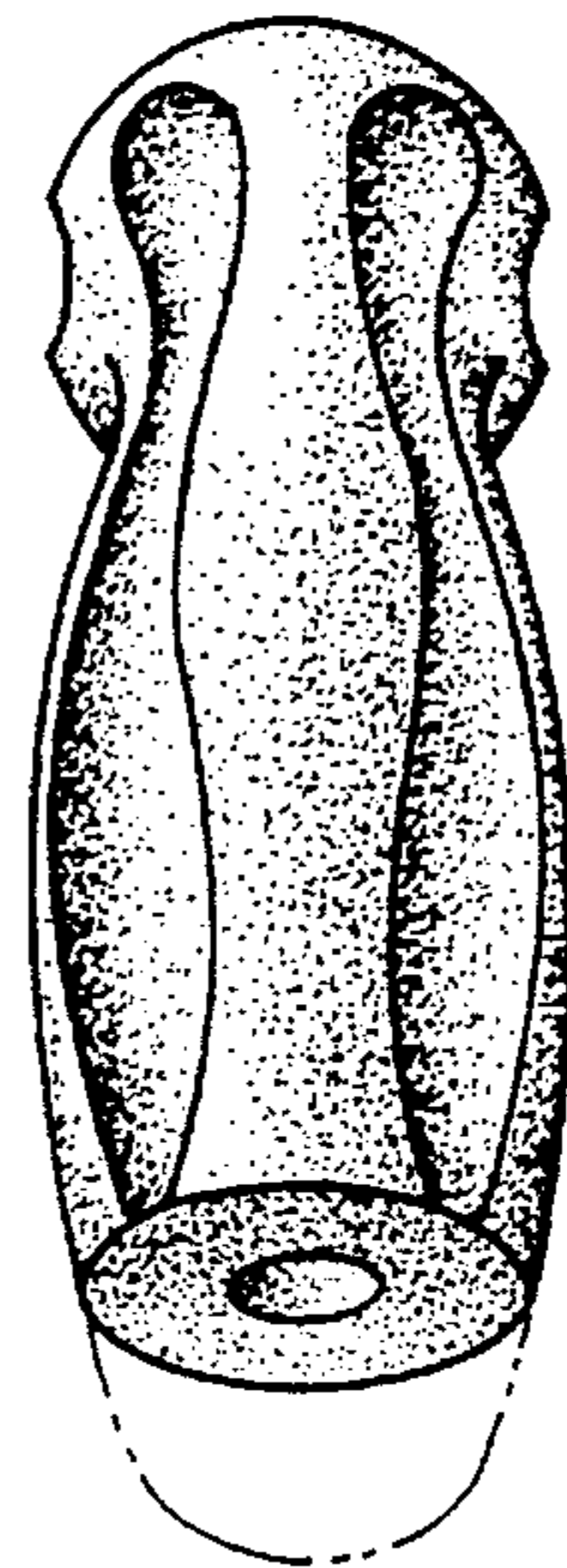


Fig 5

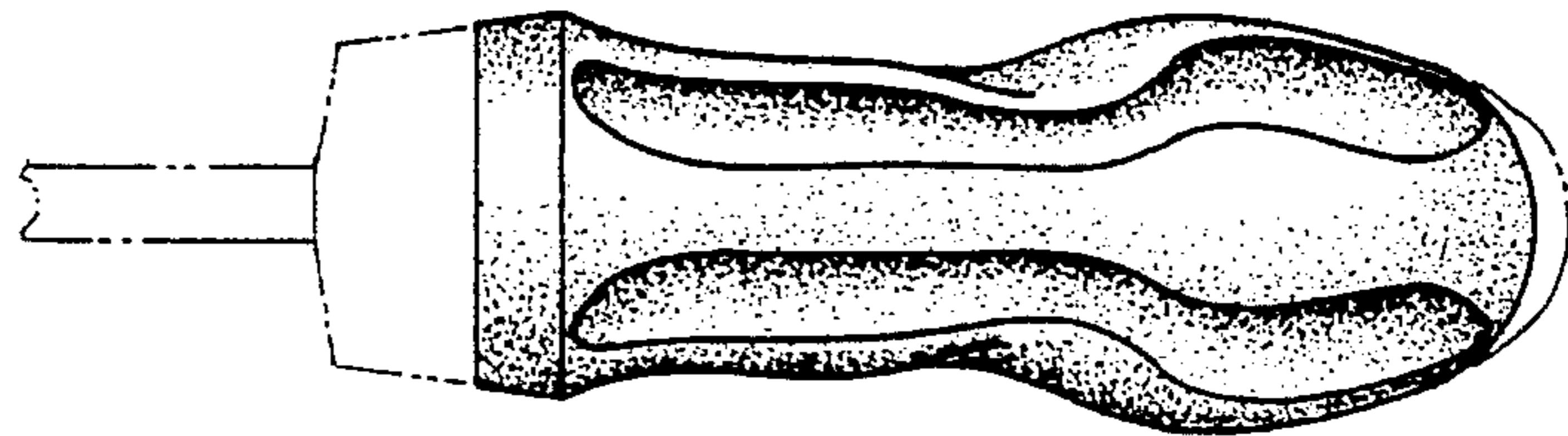


Fig 6

