



US00D373942S

# United States Patent [19]

Sears

[11] Patent Number: Des. 373,942

[45] Date of Patent: \*\*Sep. 24, 1996

[54] CHAIN TIGHTENER

4,768,753 9/1988 Gates ..... 254/228

[76] Inventor: Peter A. Sears, Box 96 Depot St.,  
Natural Bridge, N.Y. 13665

### FOREIGN PATENT DOCUMENTS

[\*\*] Term: 14 Years

2110175 6/1983 United Kingdom .

2110293 6/1983 United Kingdom .

[21] Appl. No.: 32,222

Primary Examiner—Philip S. Hyder  
Attorney, Agent, or Firm—Dennis H. Lambert

[22] Filed: Dec. 14, 1994

[52] U.S. Cl. .... D8/51

[58] Field of Search ..... D8/14, 51, 52;  
254/100, 231, 228

### [57] CLAIM

The ornamental design for a chain tightener, as shown and described.

### DESCRIPTION

### [56] References Cited

#### U.S. PATENT DOCUMENTS

|           |         |                            |           |
|-----------|---------|----------------------------|-----------|
| 4,157,171 | 6/1979  | Hasselas .....             | 254/100   |
| 4,201,367 | 5/1980  | Konen, Sr. ....            | 254/231   |
| 4,223,869 | 9/1980  | Patterson, III et al. .... | 254/231   |
| 4,243,088 | 1/1981  | Labonville .....           | 152/223   |
| 4,367,862 | 1/1983  | McGregor .....             | 254/231   |
| 4,411,301 | 10/1983 | Bindel .....               | 152/213 R |
| 4,515,198 | 5/1985  | Labonville .....           | 152/223   |
| 4,567,627 | 2/1986  | Patterson, III et al. .... | 254/100   |

FIG. 1 is a front, top and side perspective view of the chain tightener showing my new design;  
FIG. 2 is an end elevational view thereof, the end opposite being a mirror image of the end shown in FIG. 2;  
FIG. 3 is a side elevational view thereof, the side opposite being a mirror image of the side shown in FIG. 3;  
FIG. 4 is a top plan view thereof; and,  
FIG. 5 is a bottom plan view thereof.

1 Claim, 2 Drawing Sheets

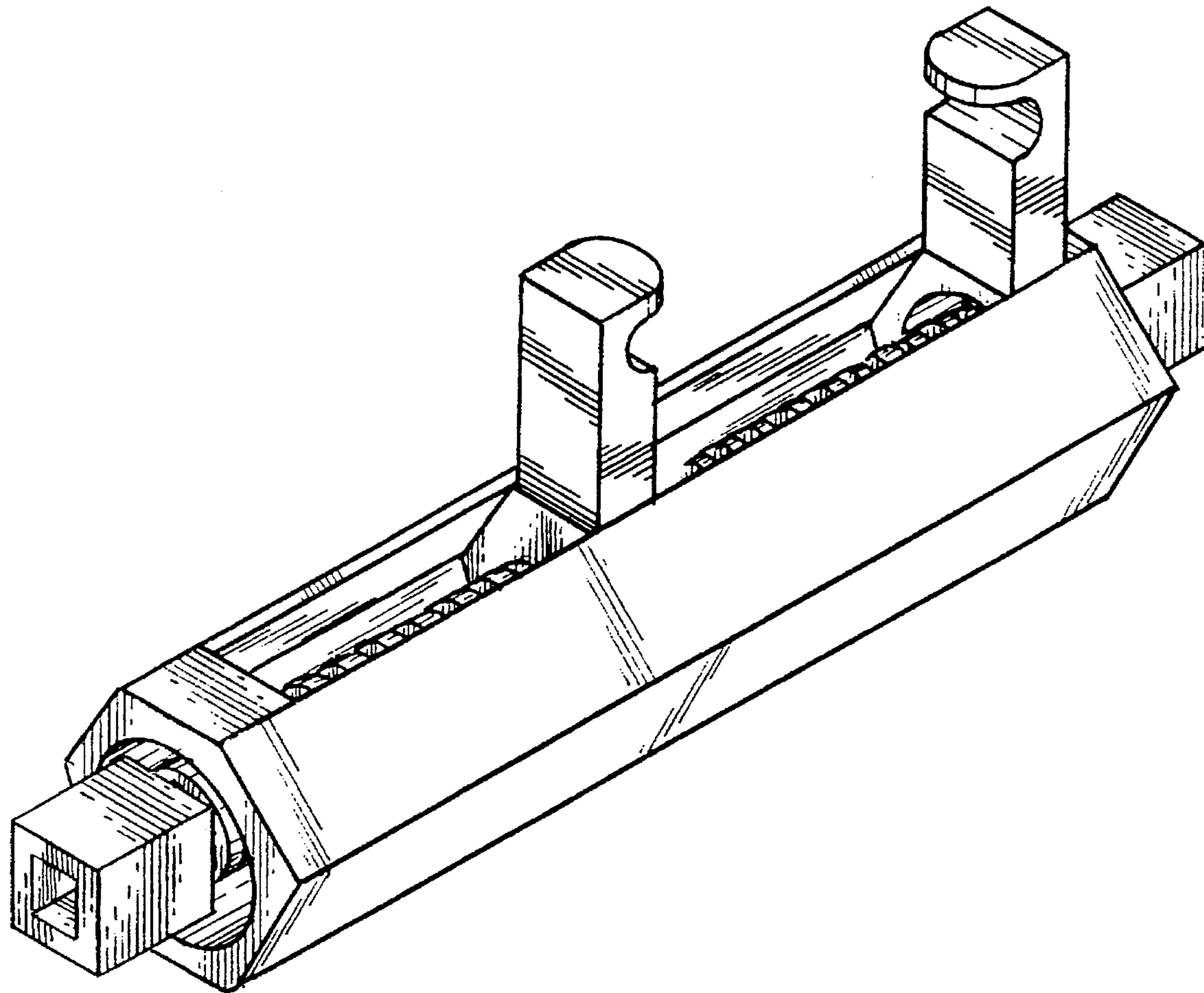


FIG. 1

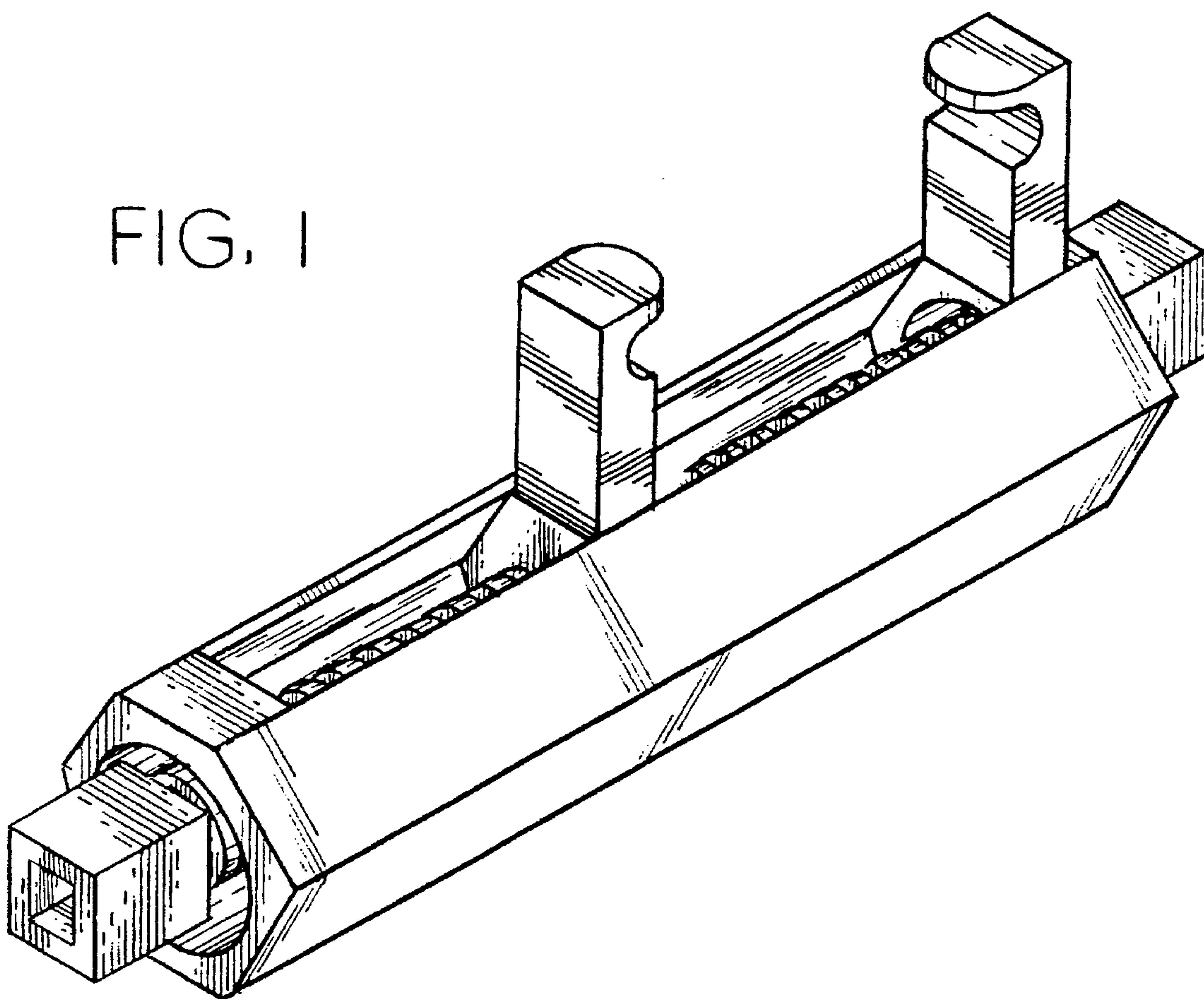


FIG. 3

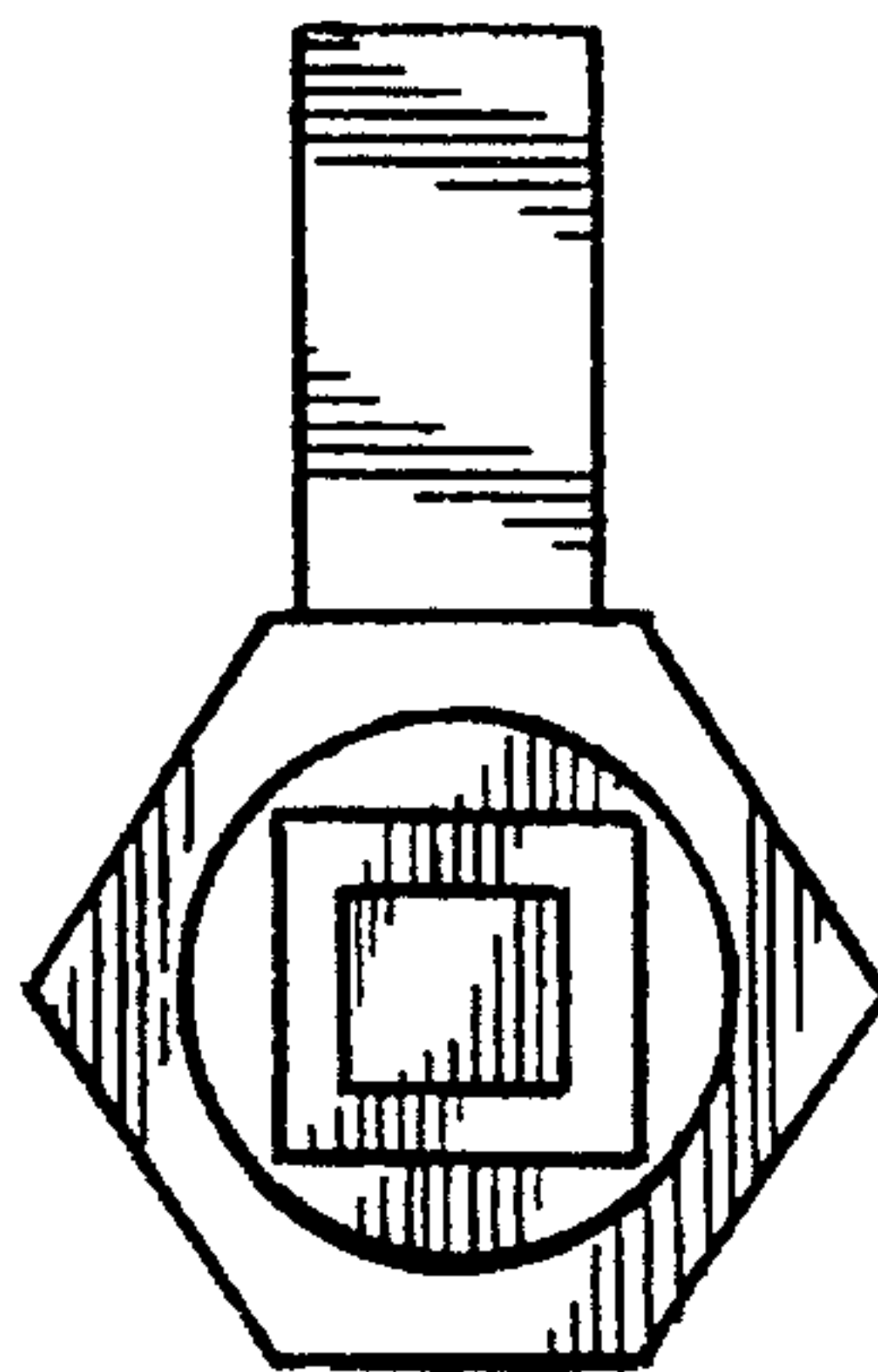
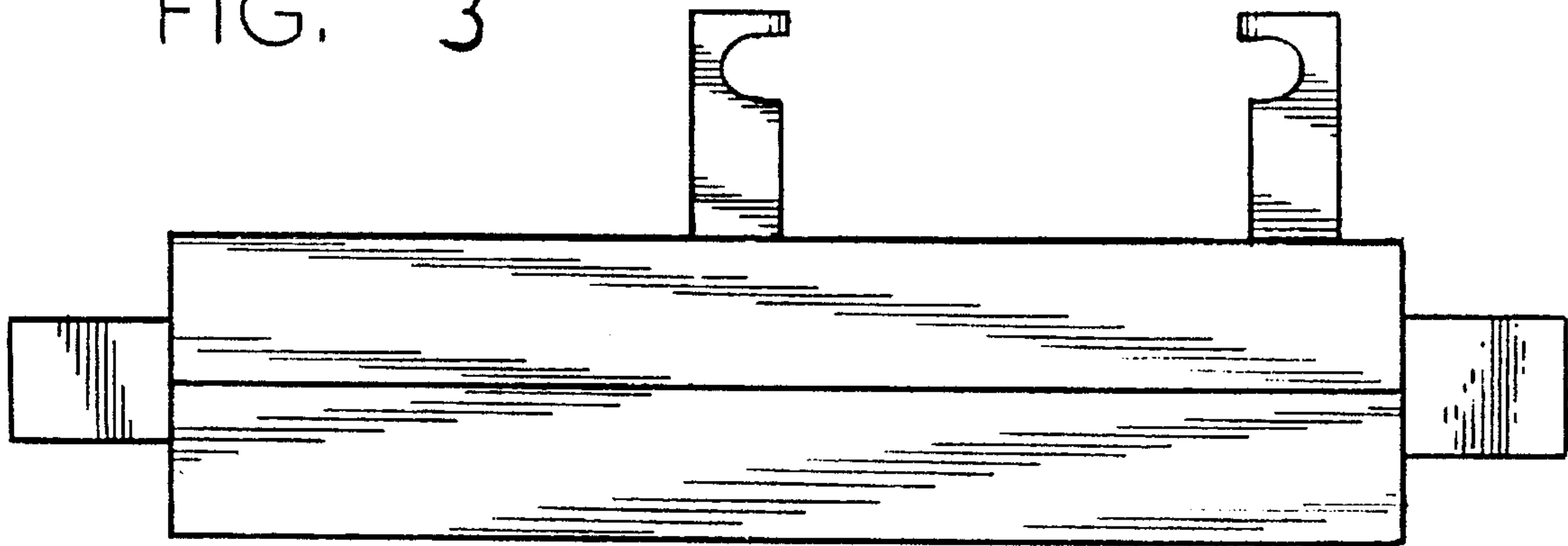


FIG. 2

FIG. 4

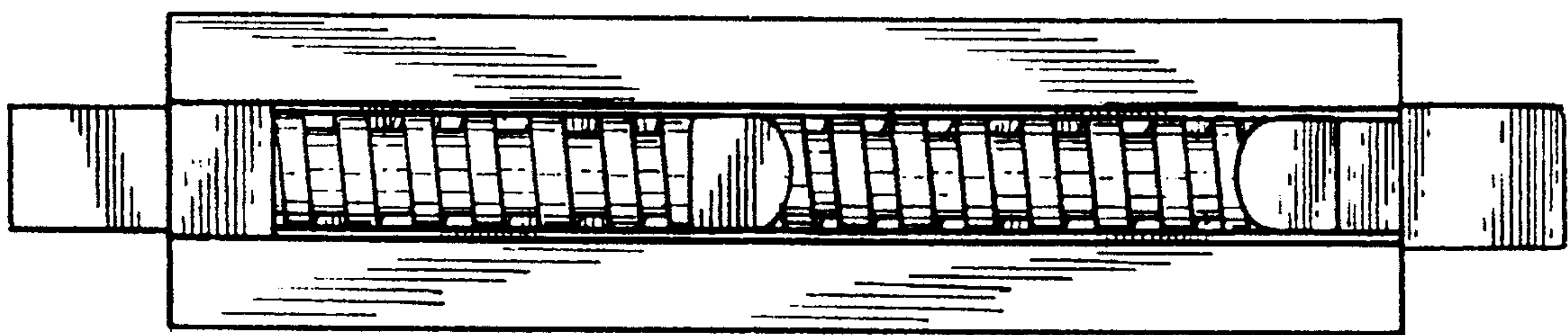


FIG. 5

