



US00D373940S

United States Patent [19]

[11] Patent Number: **Des. 373,940**

Kerlee et al.

[45] Date of Patent: ****Sep. 24, 1996**

[54] **PLUMBER TOOL**

FOREIGN PATENT DOCUMENTS

[76] Inventors: **Scott A. Kerlee**, 1005 SW. Berry Lake Rd.; **Bart Lovely**, 4891 Lovely La. SE., both of Pt. Orchard, Wash. 98366

555340 3/1923 France .
840339 1/1939 France .

[**] Term: **14 Years**

Primary Examiner—Prabhakar G. Deshmukh
Assistant Examiner—Richelle Shelton
Attorney, Agent, or Firm—Harpman & Harpman

[21] Appl. No.: **35,347**

[57] CLAIM

[22] Filed: **Feb. 24, 1995**

The ornamental design for a plumber tool, as shown and described.

[52] U.S. Cl. **D8/17; D8/21; D8/28**

[58] Field of Search D8/16-18, 21, D8/28; 81/119, 120, 125, 176.1, 176.15, 176.2; 7/138

DESCRIPTION

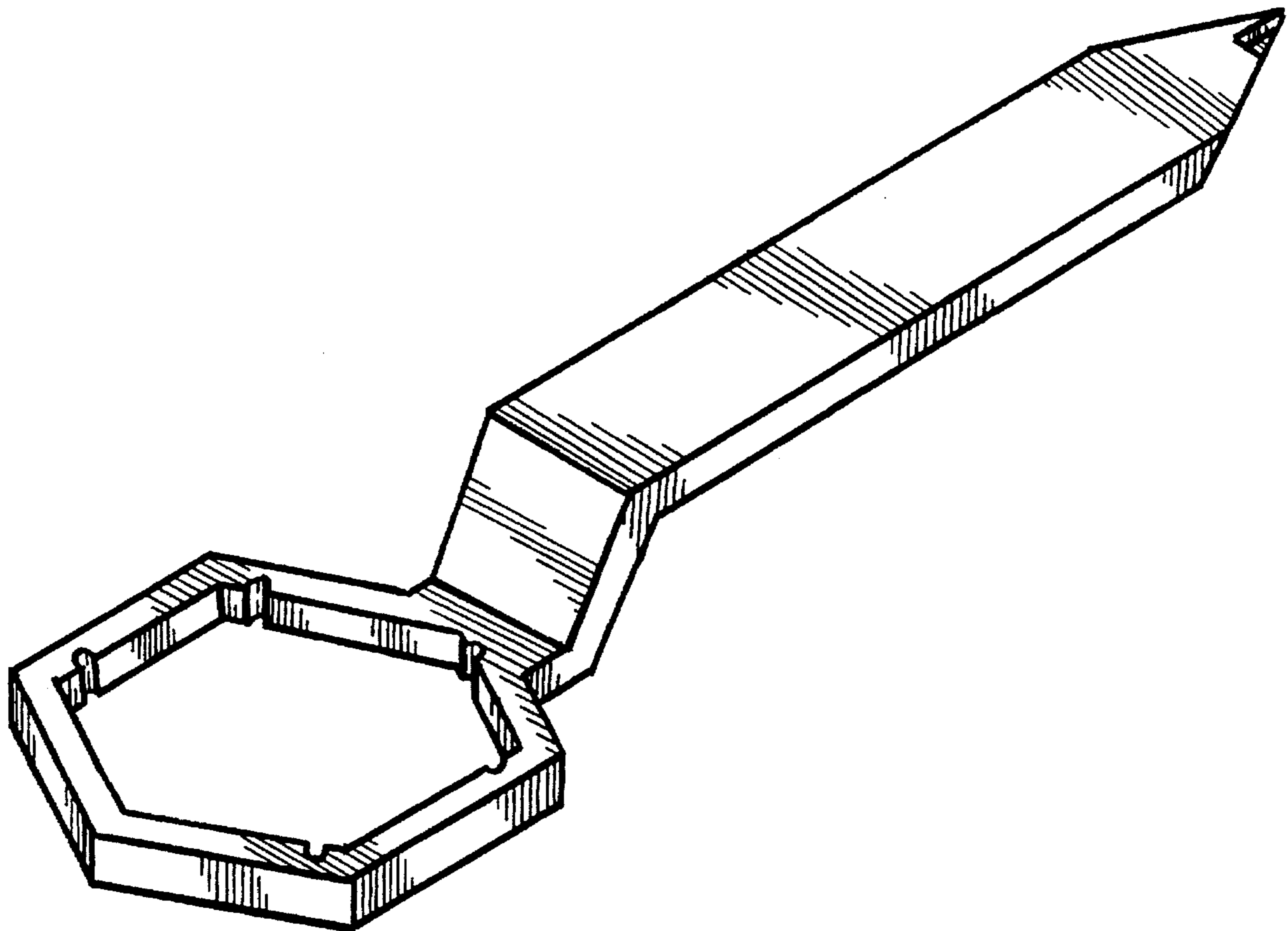
[56] References Cited

U.S. PATENT DOCUMENTS

D. 275,258 8/1984 Albrecht D8/26 X
D. 296,292 6/1988 Schoepe D8/28
518,328 4/1894 Oakey 7/138

FIG. 1 is a right side perspective view of a plumber tool showing our new design;
FIG. 2 is a rear elevational view thereof;
FIG. 3 is a front elevational view thereof;
FIG. 4 is a left side elevational view thereof;
FIG. 5 is a top plan view thereof; and,
FIG. 6 is a bottom plan view thereof.

1 Claim, 3 Drawing Sheets



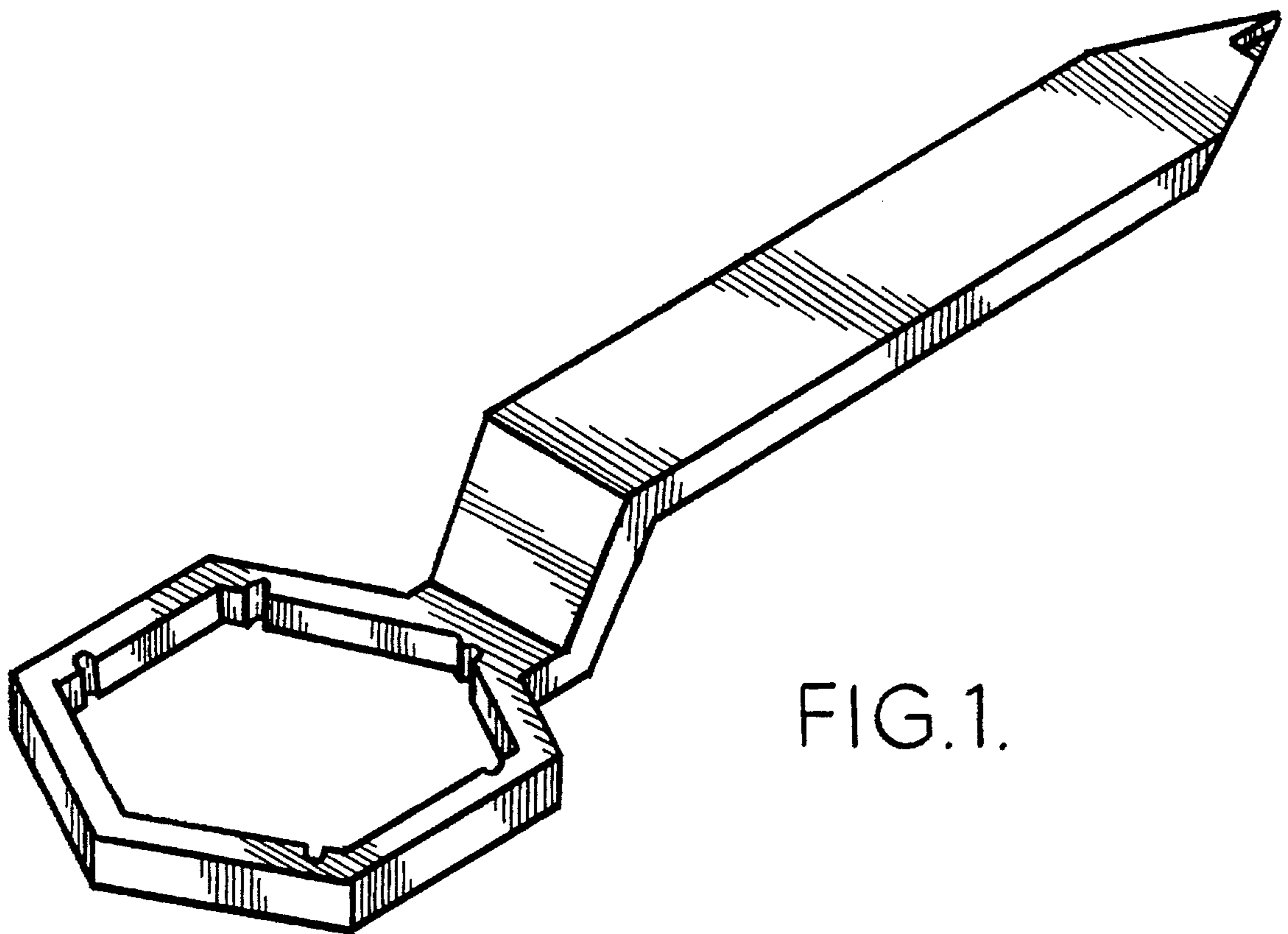


FIG.1.

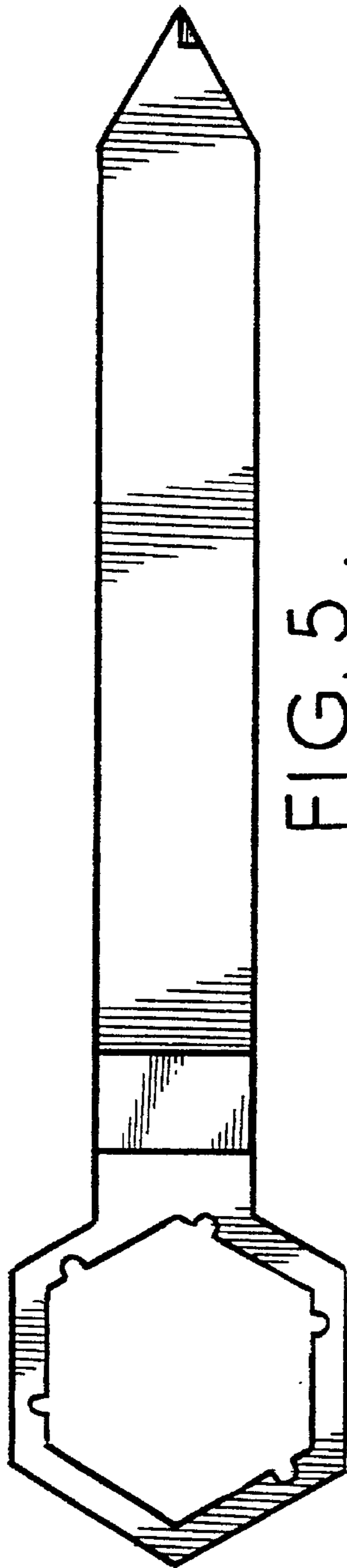


FIG. 5.



FIG. 4.

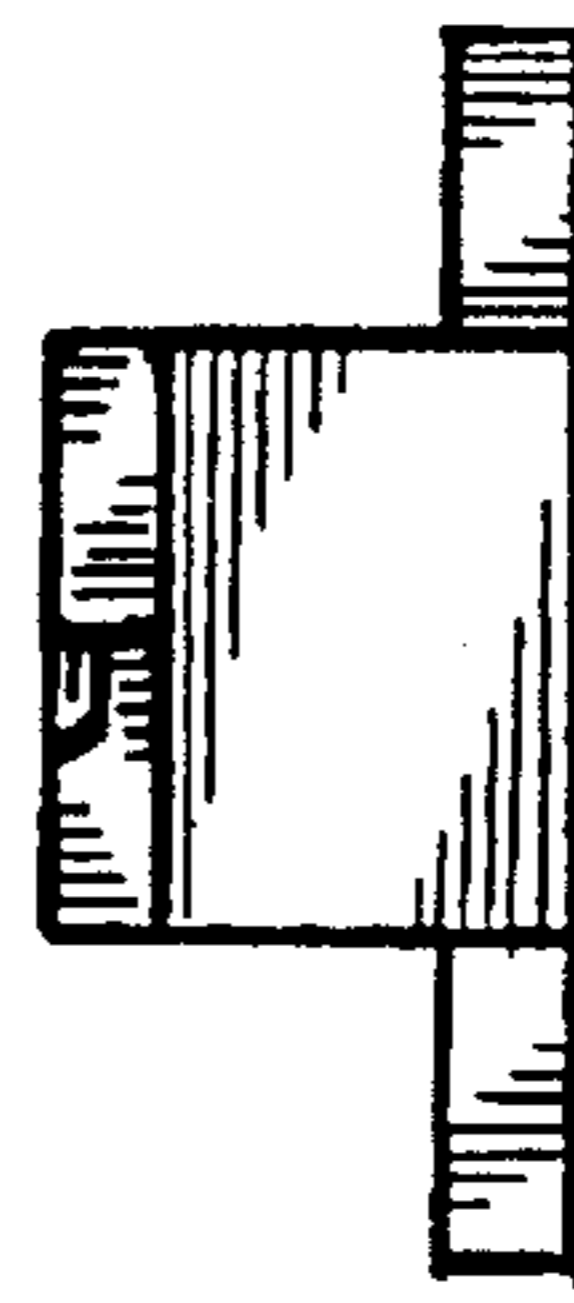


FIG. 2.

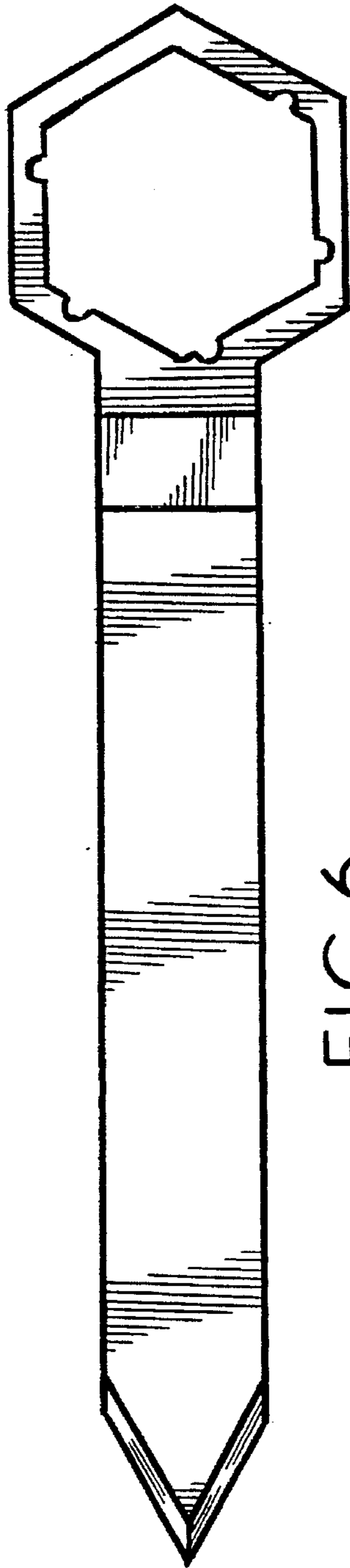


FIG. 6.

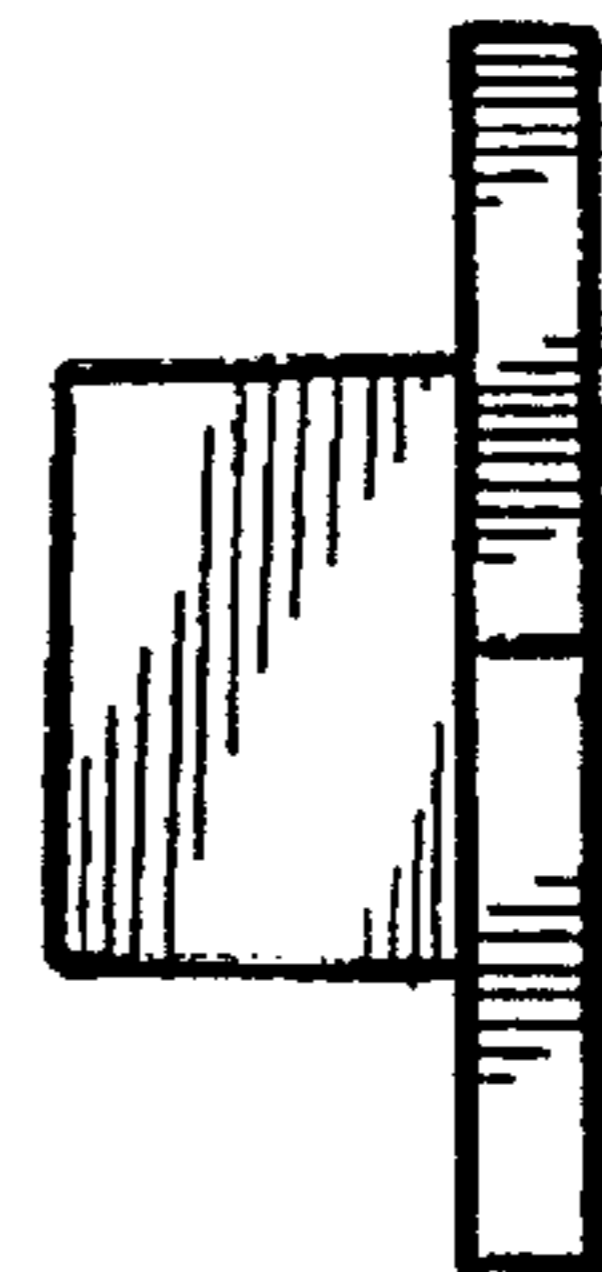


FIG. 3.