



US00D373935S

**United States Patent** [19]  
**Cole et al.**

[11] **Patent Number:** **Des. 373,935**  
[45] **Date of Patent:** **\*\*Sep. 24, 1996**

[54] **CUP HOLDER**

[75] Inventors: **Steven R. Cole**, 5917 Reiger Ave.,  
Dallas, Tex. 75214; **Jacob C. Russler,**  
**III**, Dallas, Tex.

[73] Assignee: **Steven R. Cole**, Dallas, Tex.

[\*\*] Term: **14 Years**

[21] Appl. No.: **39,027**

[22] Filed: **May 19, 1995**

[52] U.S. Cl. .... **D7/621; D7/620**

[58] Field of Search ..... **D7/619-625, 605,**  
**D7/608; 211/71, 74, 75; 220/737, 739;**  
**248/225.31, 291, 311.2, 309.1**

[56] **References Cited**

**U.S. PATENT DOCUMENTS**

- D. 184,973 4/1959 Amigone .
- D. 236,175 8/1975 Wintz .
- D. 253,629 12/1979 Sage .
- 2,532,244 11/1950 Pastmore .
- 2,893,675 7/1959 Smith et al. .... 248/311.2
- 2,926,879 3/1960 Dietrich .
- 3,045,962 7/1962 Paulus .
- 3,840,204 10/1974 Thomas et al. .

- 4,191,350 3/1980 Ormond .
- 4,248,397 2/1981 Casper .
- 4,434,961 3/1984 Hoyer .
- 4,721,276 1/1988 Moss .
- 4,957,254 9/1990 Hill et al. .

**OTHER PUBLICATIONS**

Fore & Aft Catalog Discount Marine Supplies, 1984, p6,  
Mug-Body #501, top, right corner.

*Primary Examiner*—Terry A. Wallace  
*Attorney, Agent, or Firm*—Richards, Medlock & Andrews

[57] **CLAIM**

The ornamental design for a cup holder, as shown and described.

**DESCRIPTION**

FIG. 1 is a perspective view of a cup holder showing our new design;

FIG. 2 is a front elevation view thereof;

FIG. 3 is a side elevation view thereof;

FIG. 4 is a rear elevation view thereof;

FIG. 5 is a top plan view thereof; and,

FIG. 6 is a bottom plan view thereof.

**1 Claim, 2 Drawing Sheets**

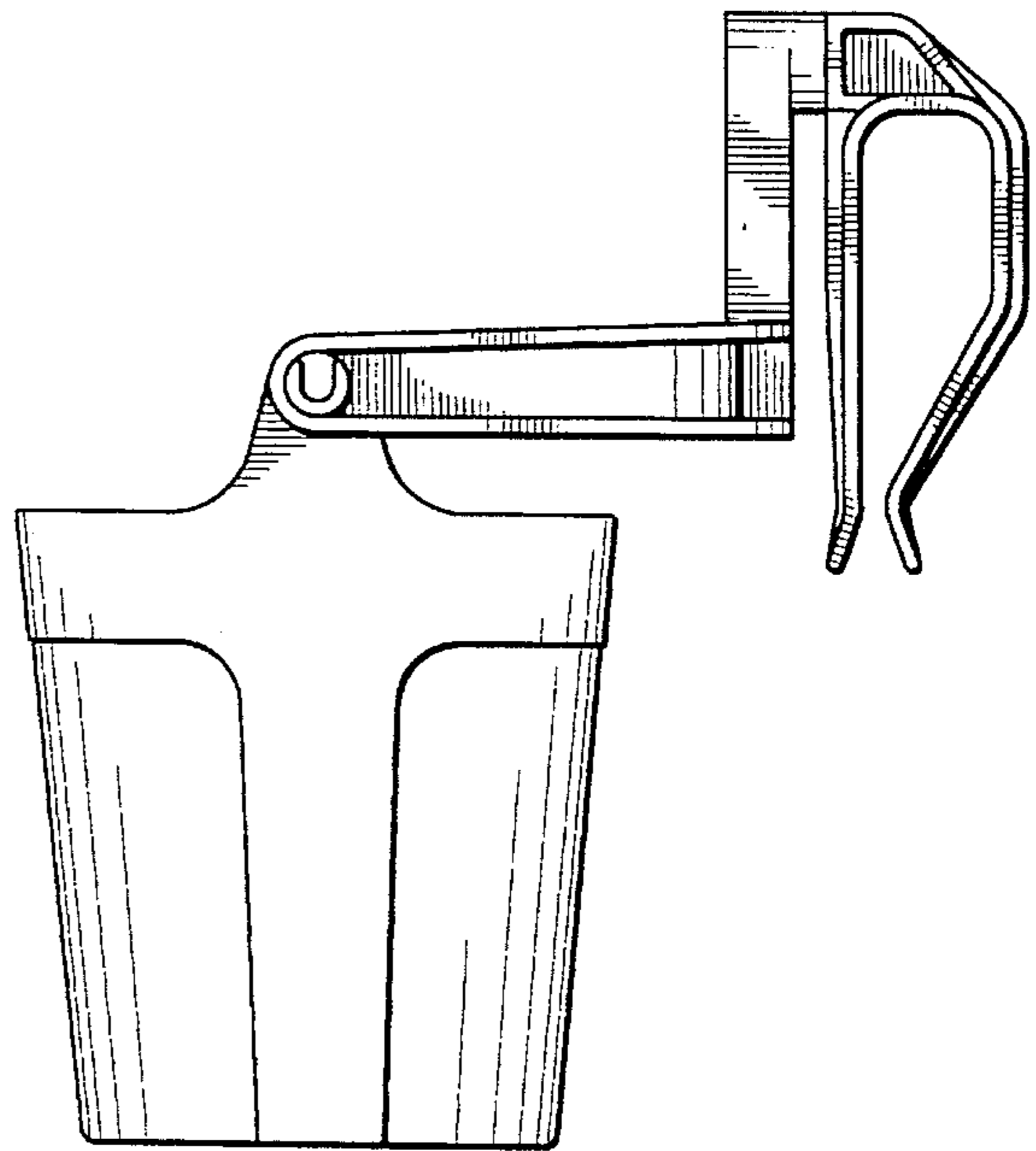
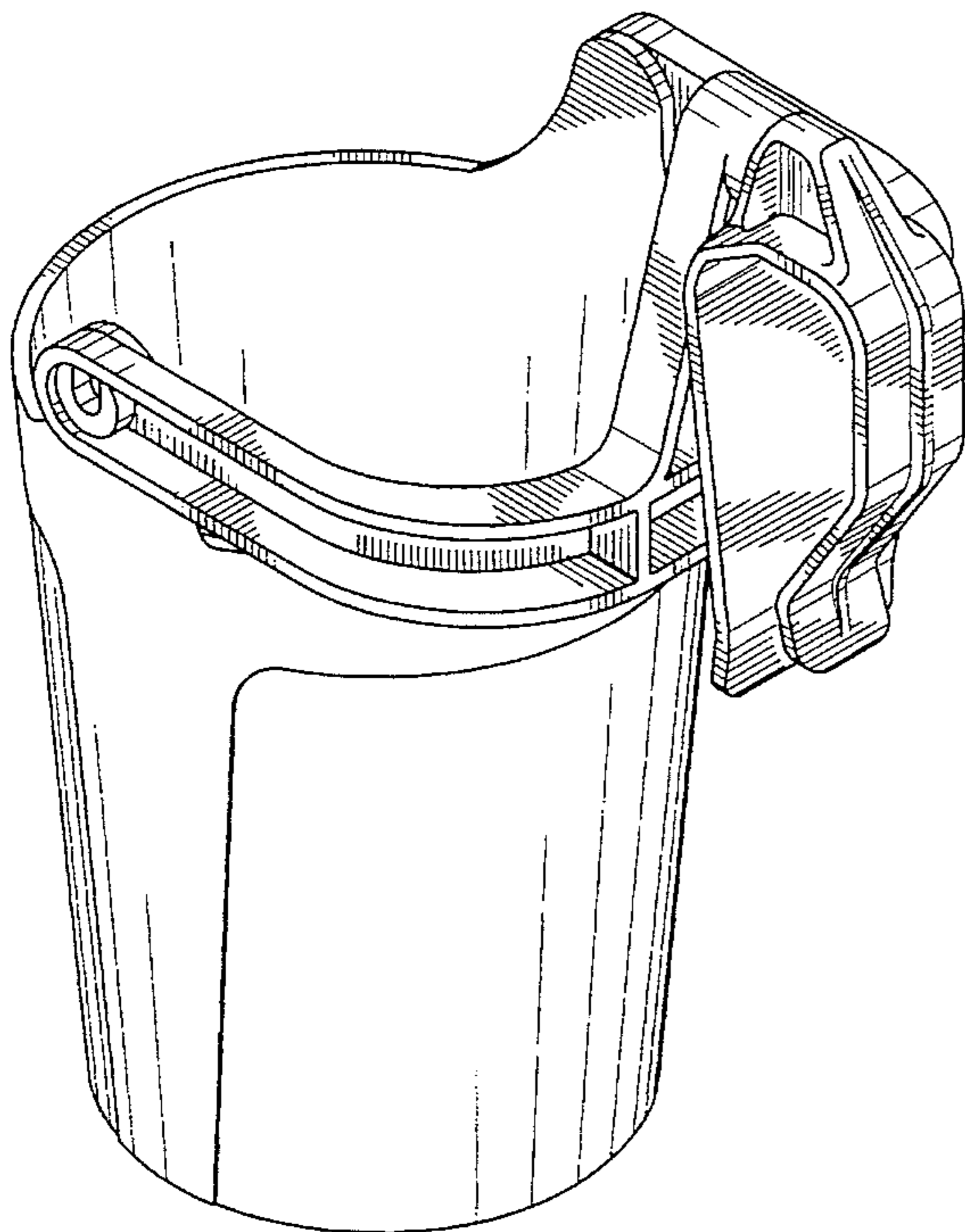


FIG. 1

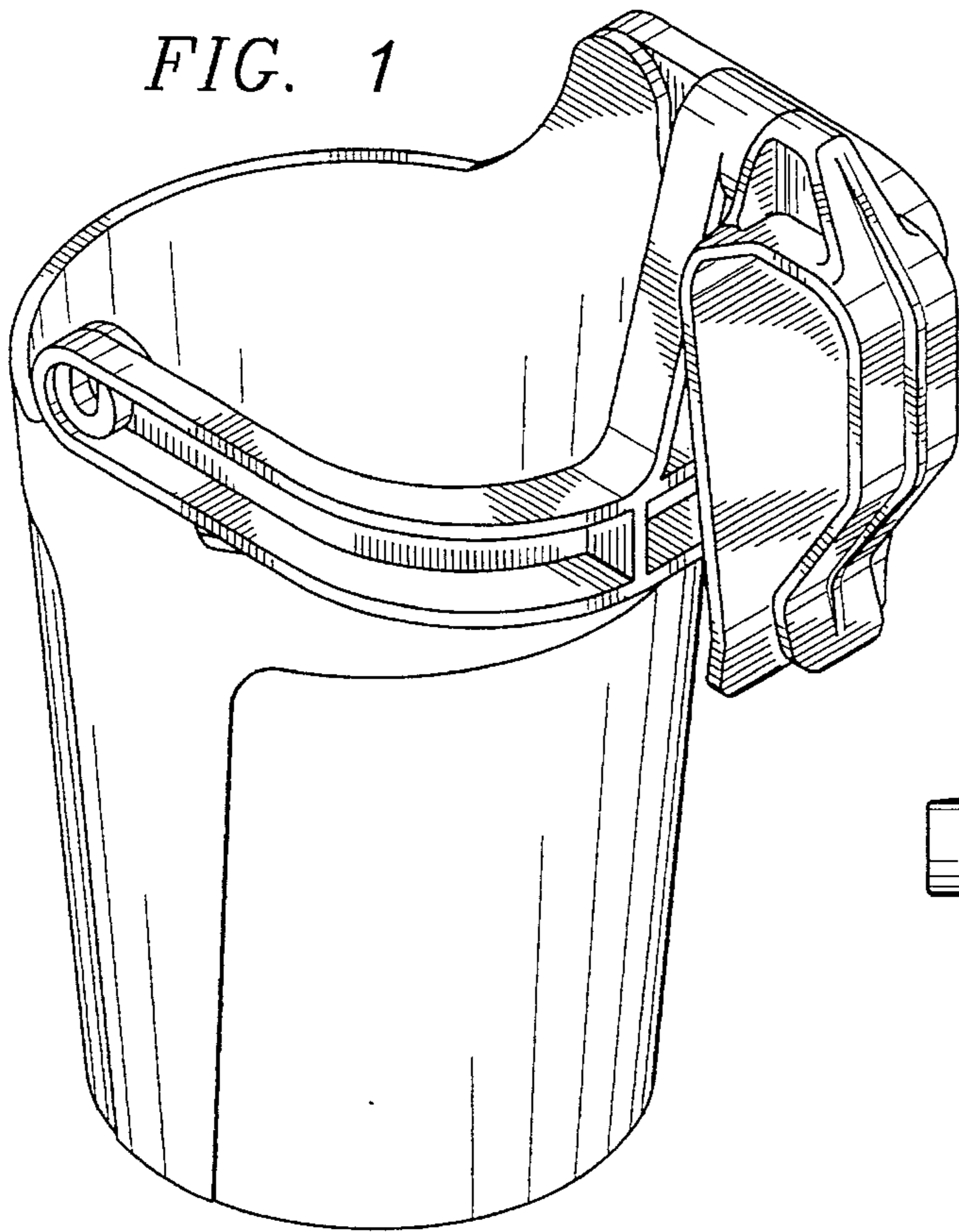


FIG. 2

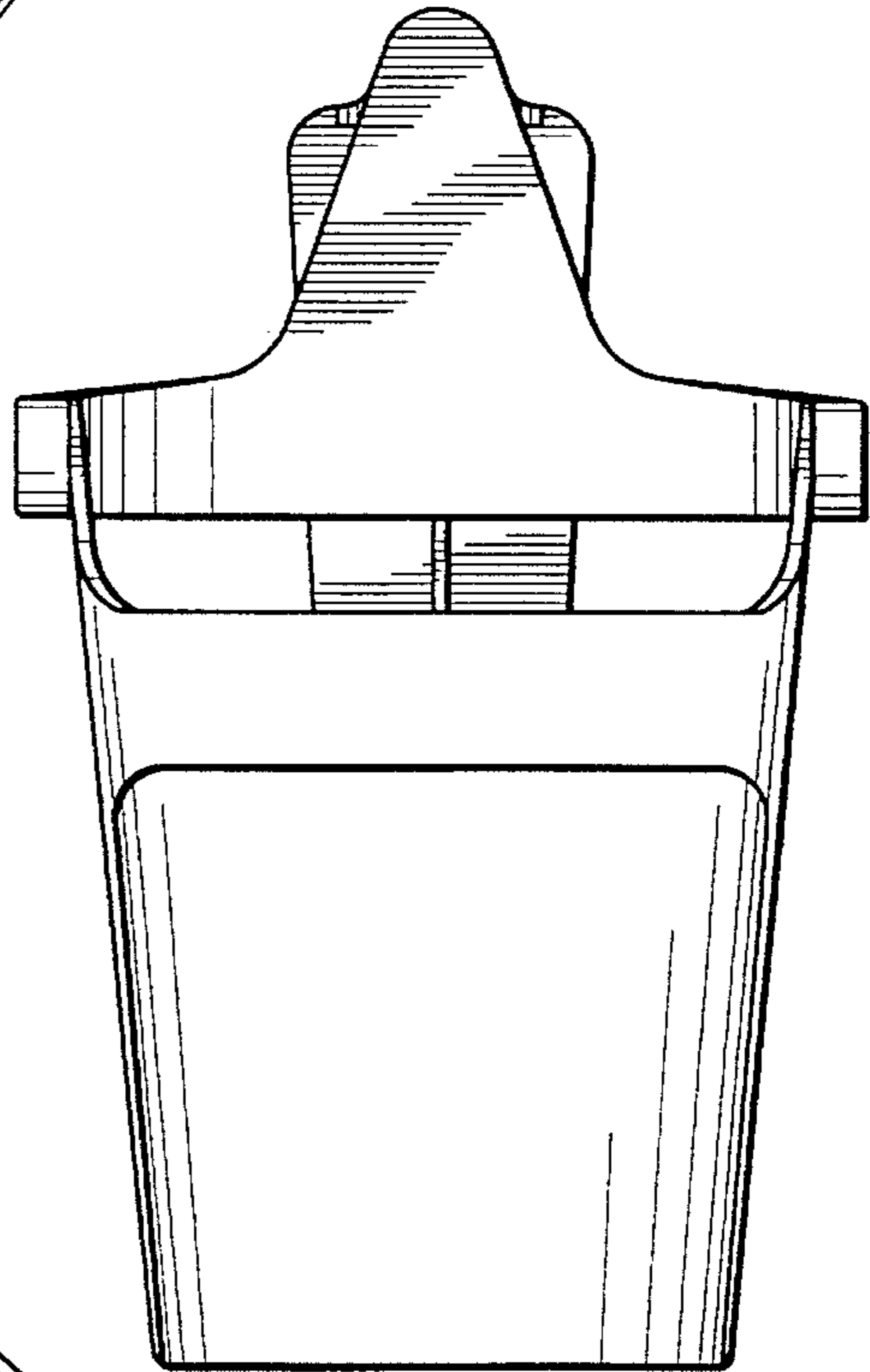


FIG. 3

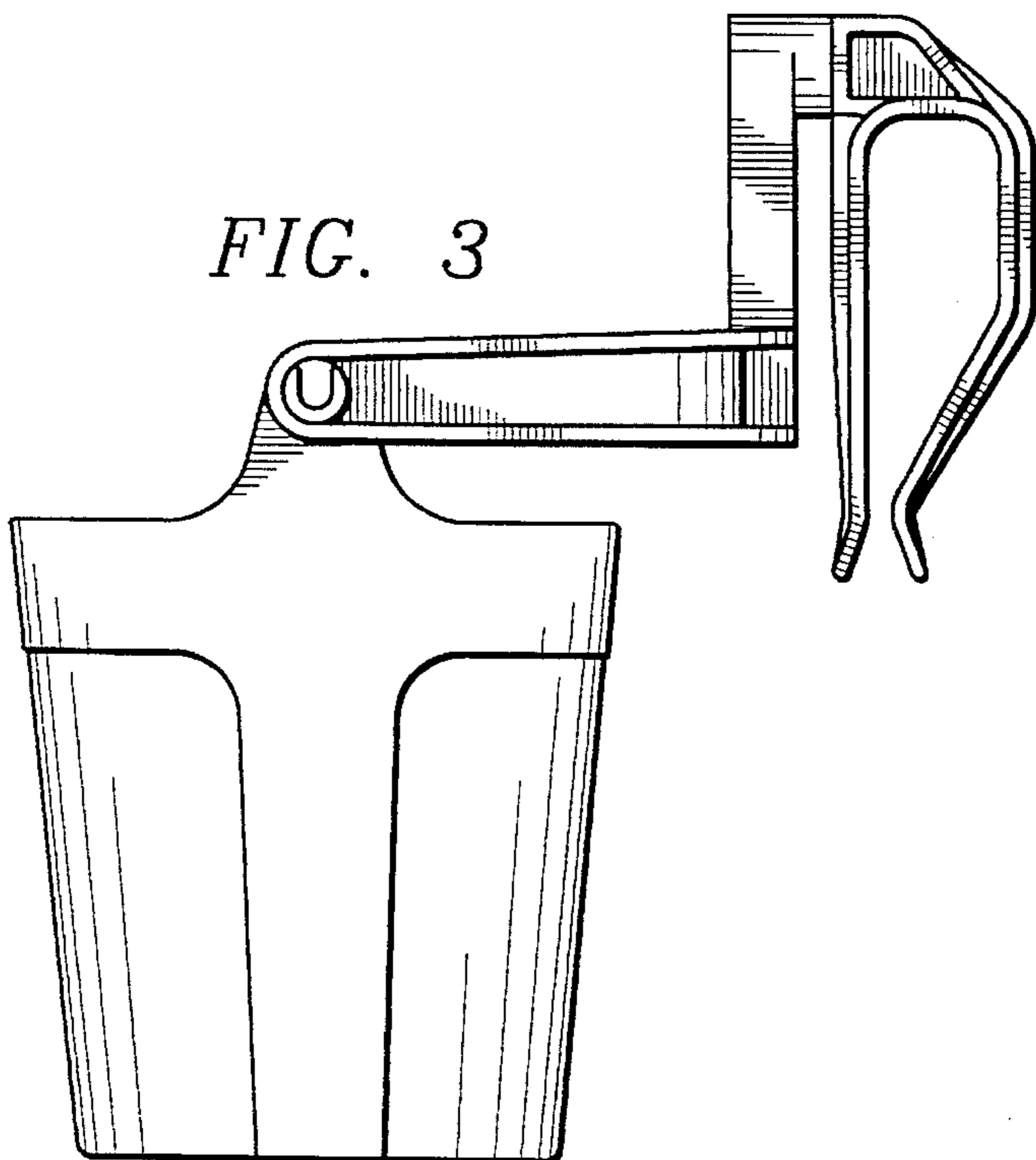


FIG. 4

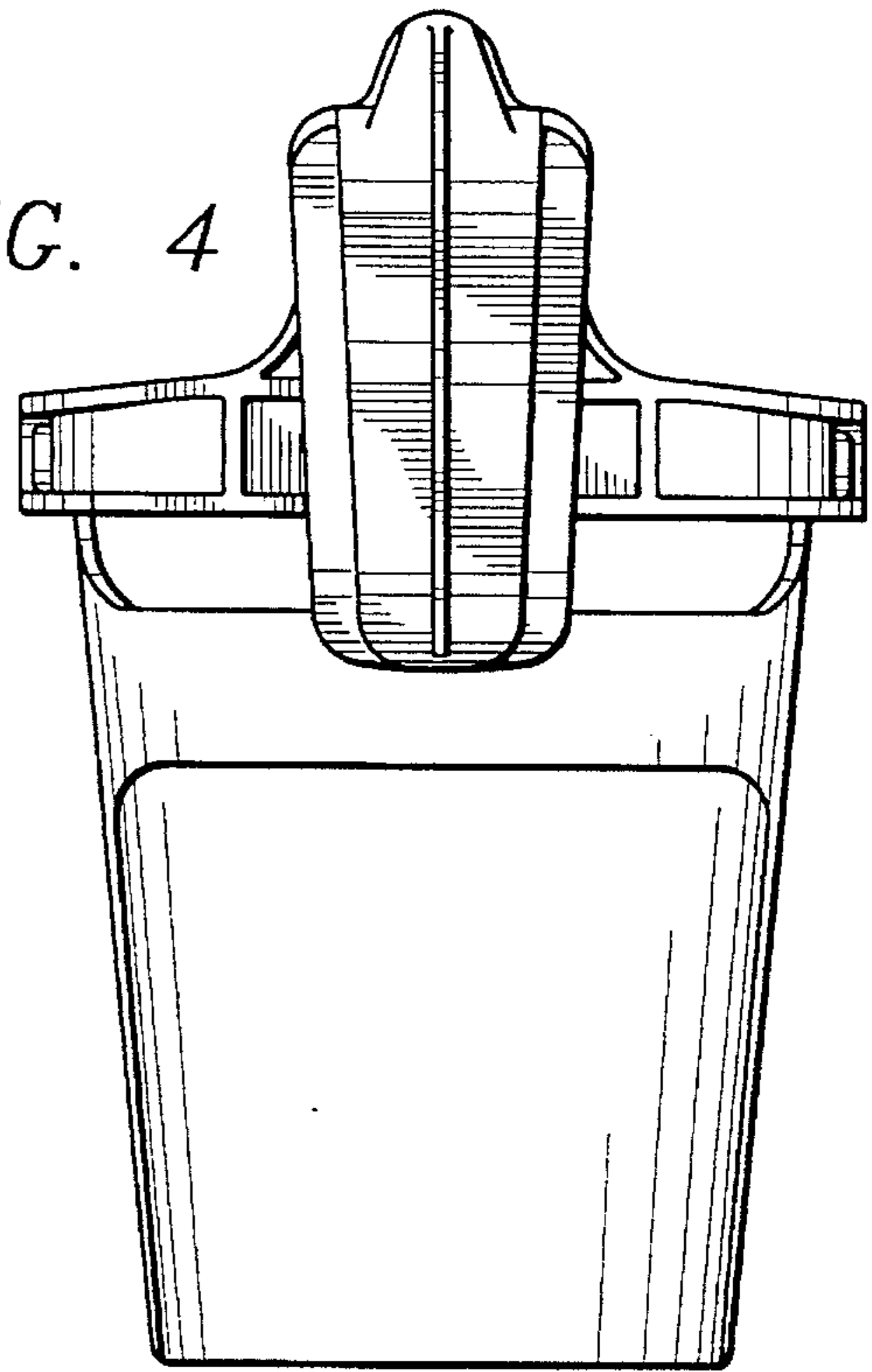


FIG. 5

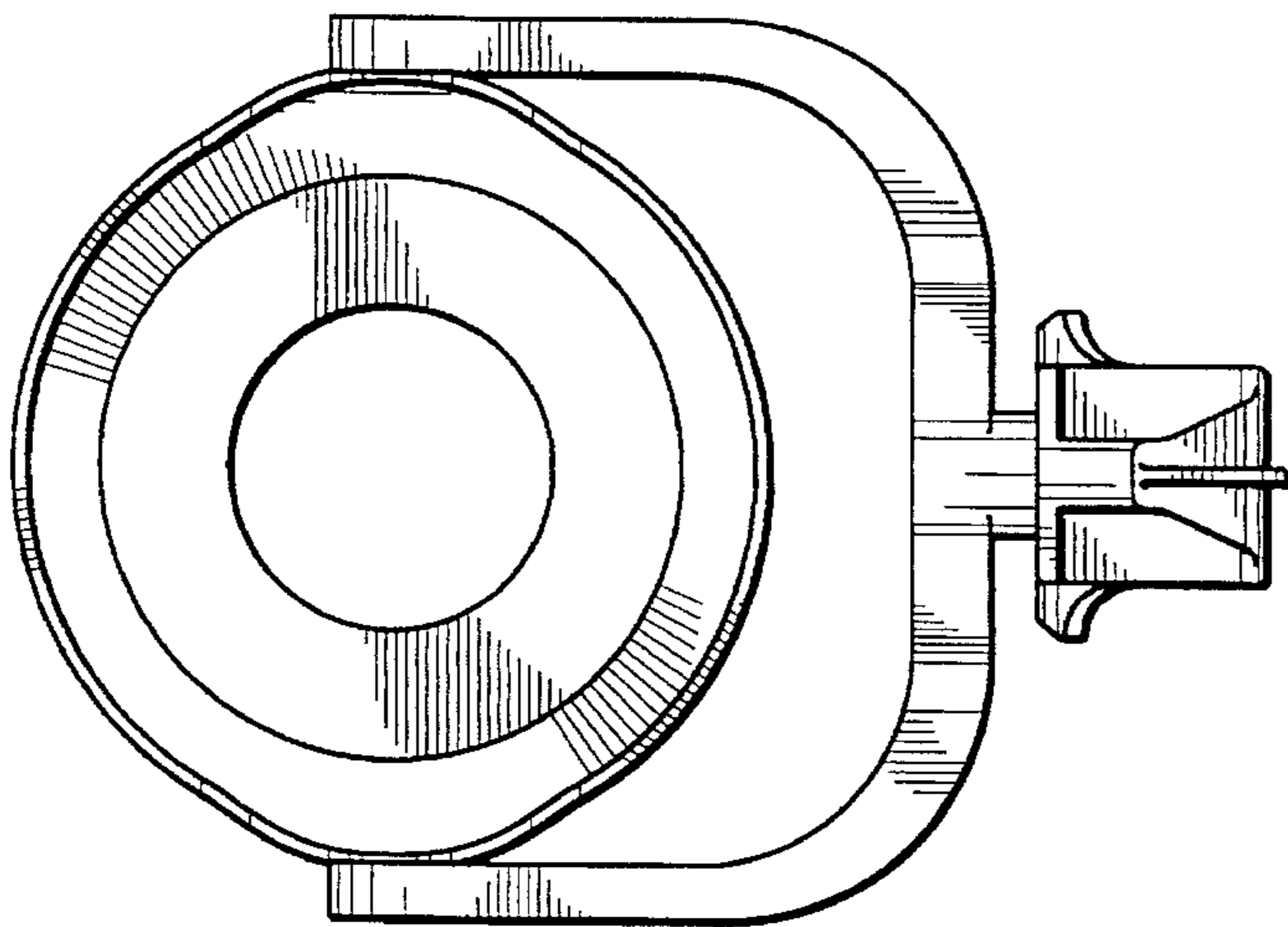


FIG. 6

